



US00D492858S1

(12) **United States Design Patent**
Georgopoulos

(10) **Patent No.:** **US D492,858 S**
(45) **Date of Patent:** **** Jul. 13, 2004**

(54) **BOAT TABLE**

D433,254 S * 11/2000 Muller D6/482

(76) Inventor: **Maria Georgopoulos**, 14 Melrose La.,
Douglaston, NY (US) 11363

* cited by examiner

(**) Term: **14 Years**

Primary Examiner—Janice Seeger

(74) *Attorney, Agent, or Firm*—Richard L. Miller, P.A.

(21) Appl. No.: **29/173,587**

(57) **CLAIM**

(22) Filed: **Dec. 31, 2002**

The ornamental design for: boat table, as shown and described.

(51) **LOC (7) Cl.** **06-03**

DESCRIPTION

(52) **U.S. Cl.** **D6/451; D6/480**

(58) **Field of Search** D6/480–489, 495–499,
D6/451, 450; 108/150, 153.1, 155, 156,
157.1, 157.17, 161; 248/188, 188.1, 188.8

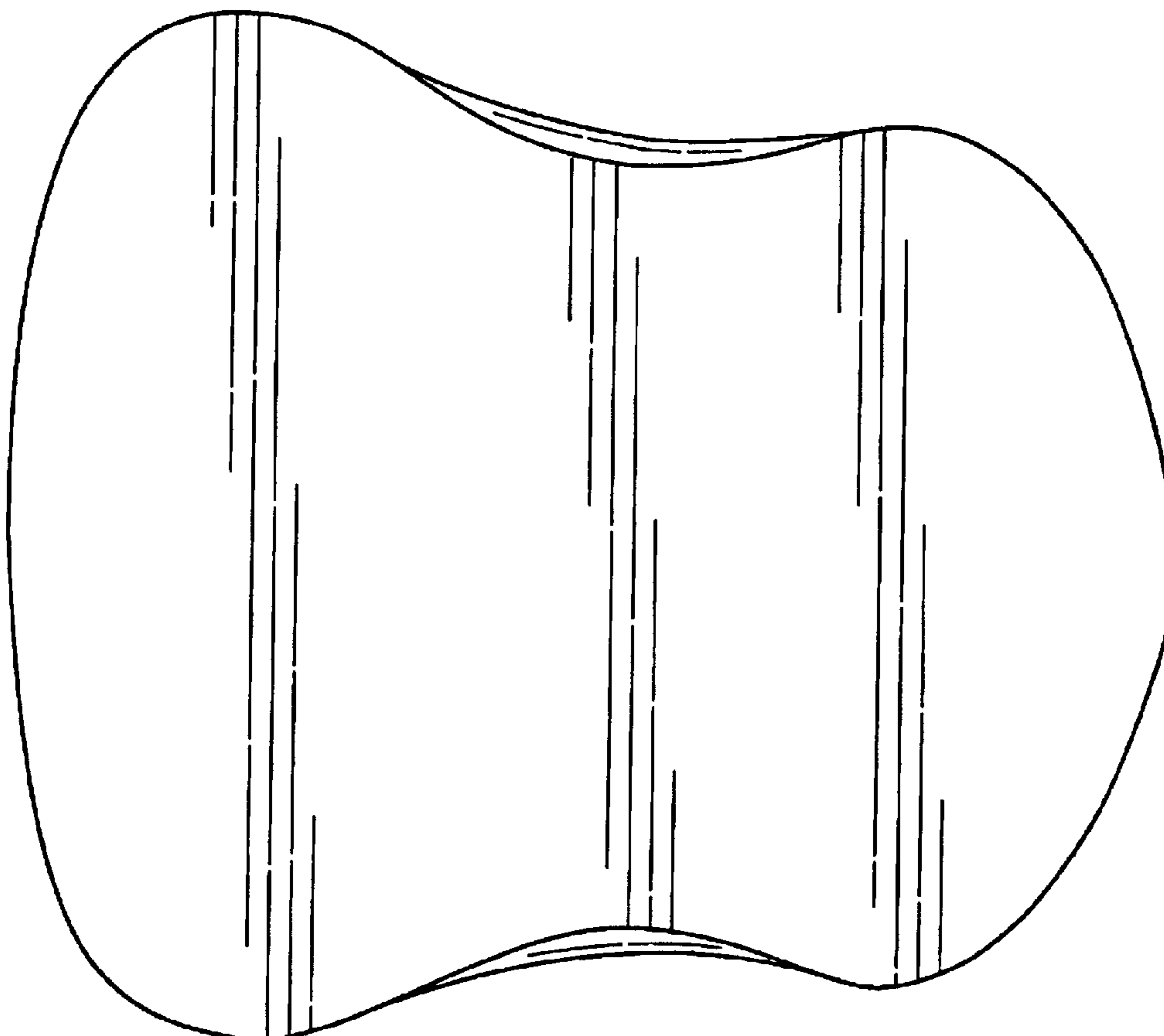
FIG. 1 is a top elevational view showing my new design for a boat table, however, it is to be noted that the grain, surface texture and burling form no part of the design;
FIG. 2 is a rear right top perspective view thereof;
FIG. 3 is a front left top perspective view thereof;
FIG. 4 is a left side elevational view thereof;
FIG. 5 is a right side elevational view thereof;
FIG. 6 is a rear elevational view thereof;
FIG. 7 is a front elevational view thereof;
FIG. 8 is a bottom elevational view thereof;
FIG. 9 is a downside up bottom right side perspective view thereof; and,
FIG. 10 is a downside up front perspective view.

(56) **References Cited**

U.S. PATENT DOCUMENTS

2,705,179 A	3/1955	Hodgin	
D178,297 S	* 7/1956	Little D6/483
D203,449 S	* 1/1966	Klein et al. D6/482
D218,943 S	* 10/1970	Culliss D6/482
D252,432 S	7/1979	Brelsford	
D268,715 S	4/1983	Curry	
D334,982 S	4/1993	Riach	
D360,546 S	* 7/1995	Gibson D6/451
D375,640 S	11/1996	Marx	

1 Claim, 10 Drawing Sheets



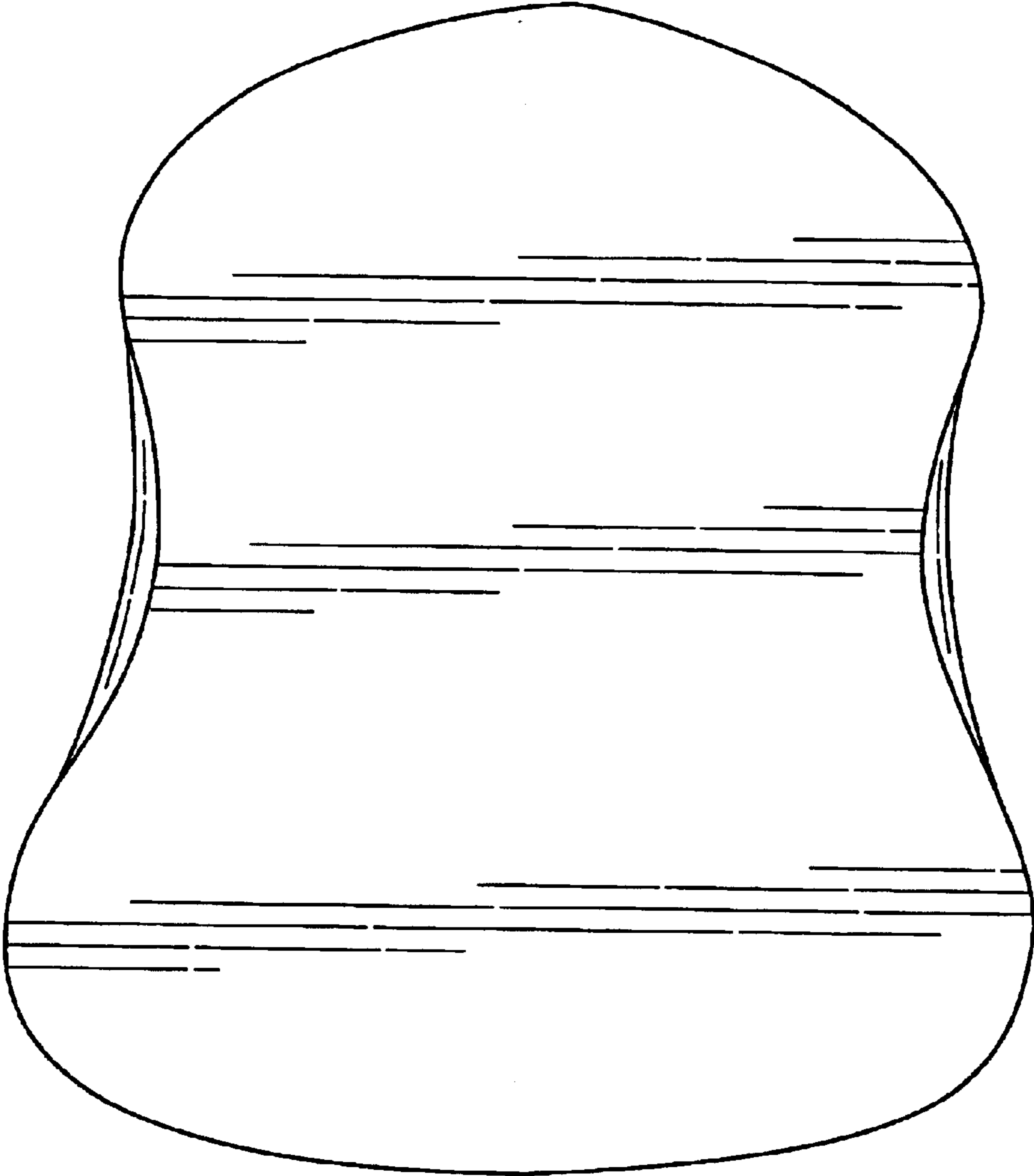


FIG. 1

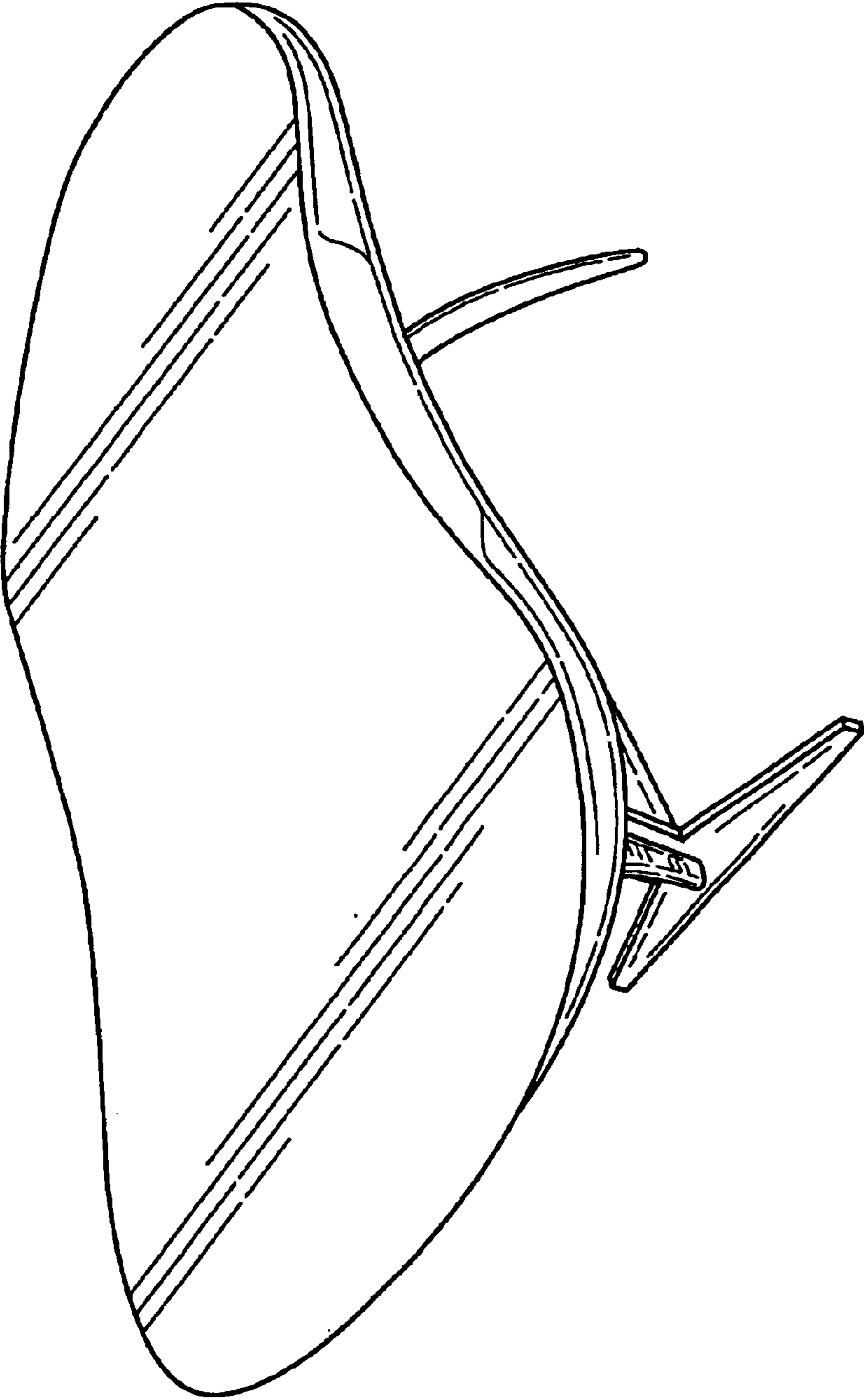


FIG. 2

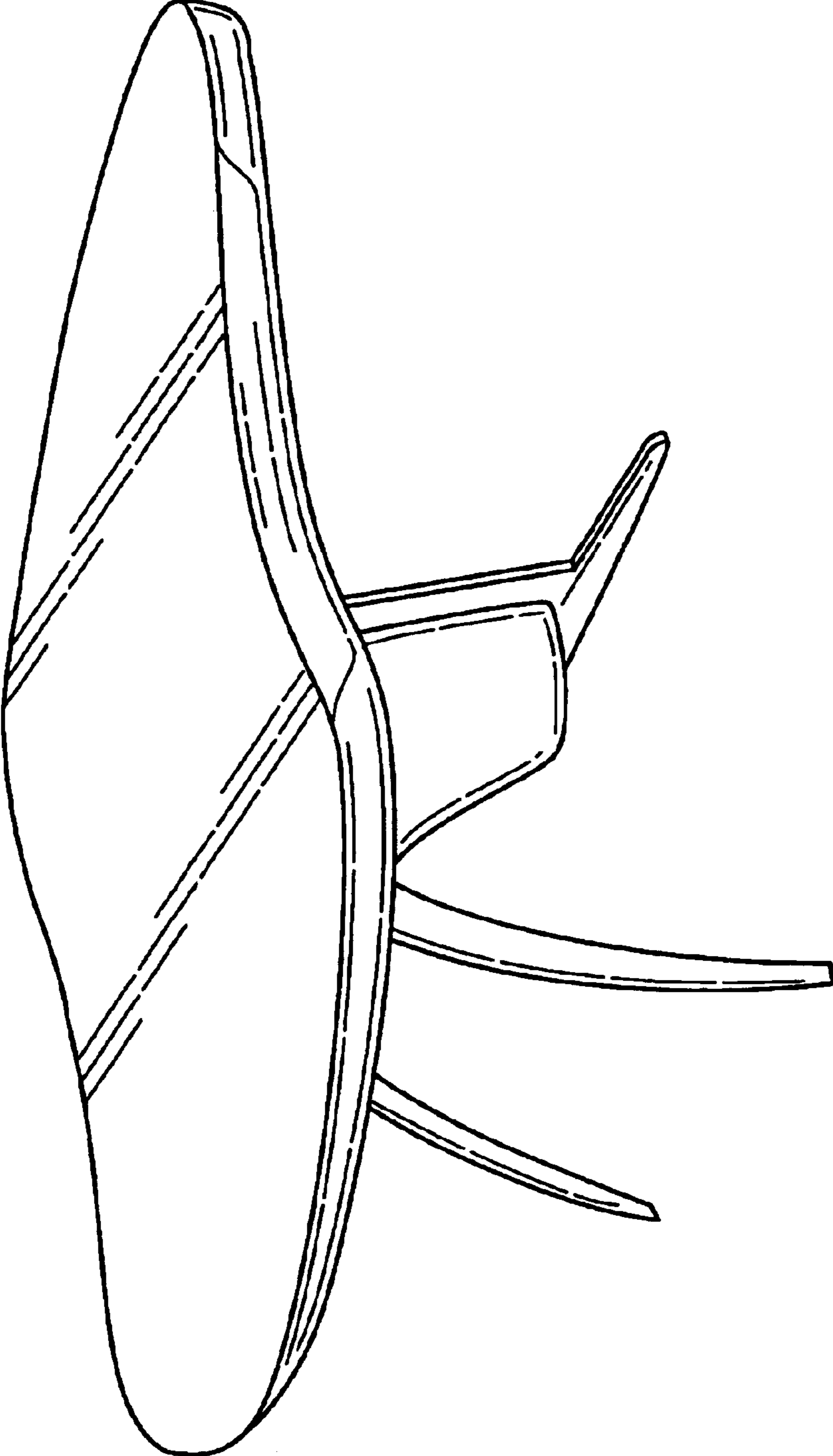


FIG. 3

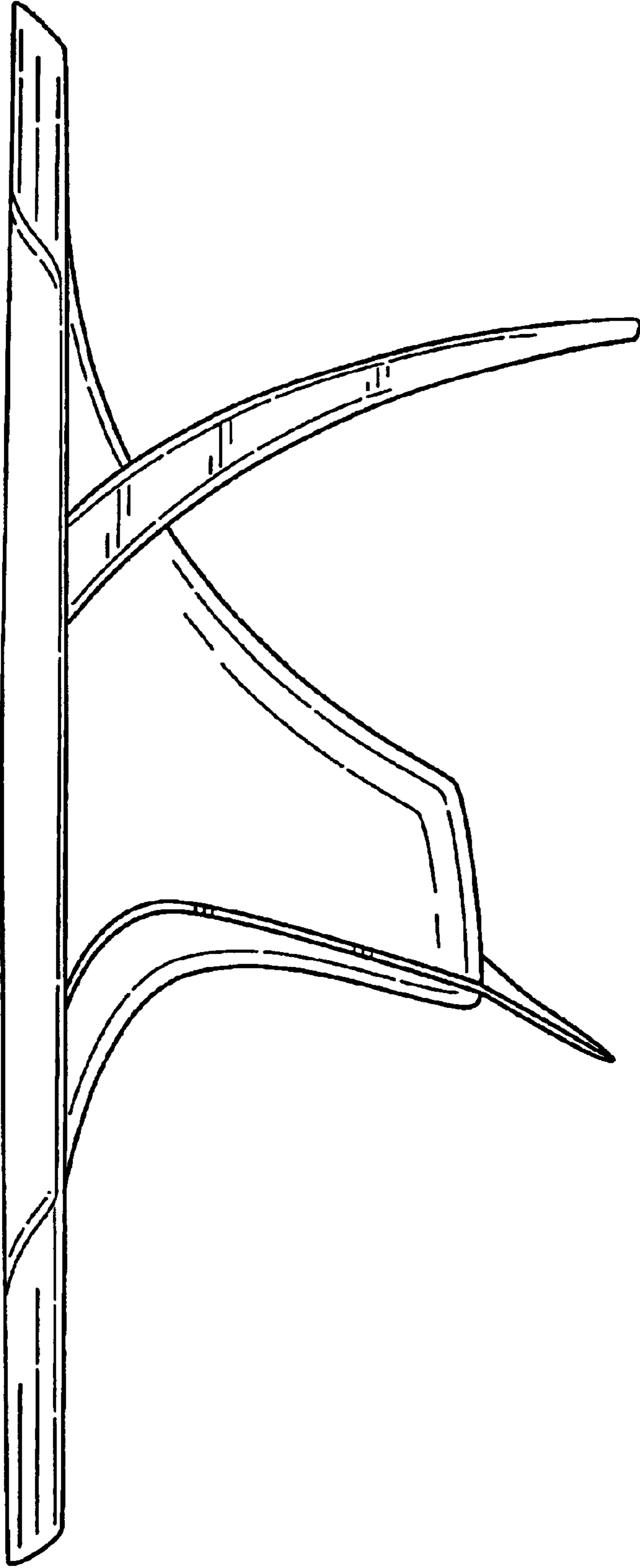


FIG. 4

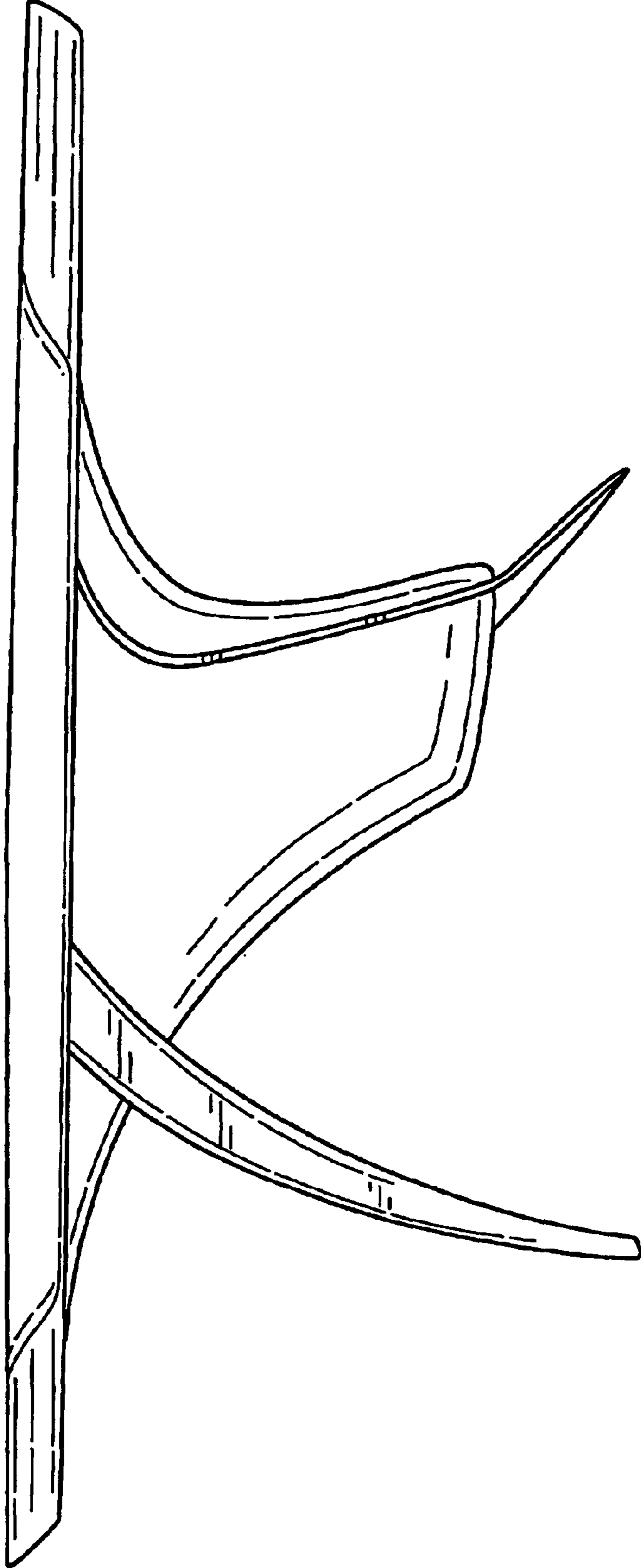


FIG. 5

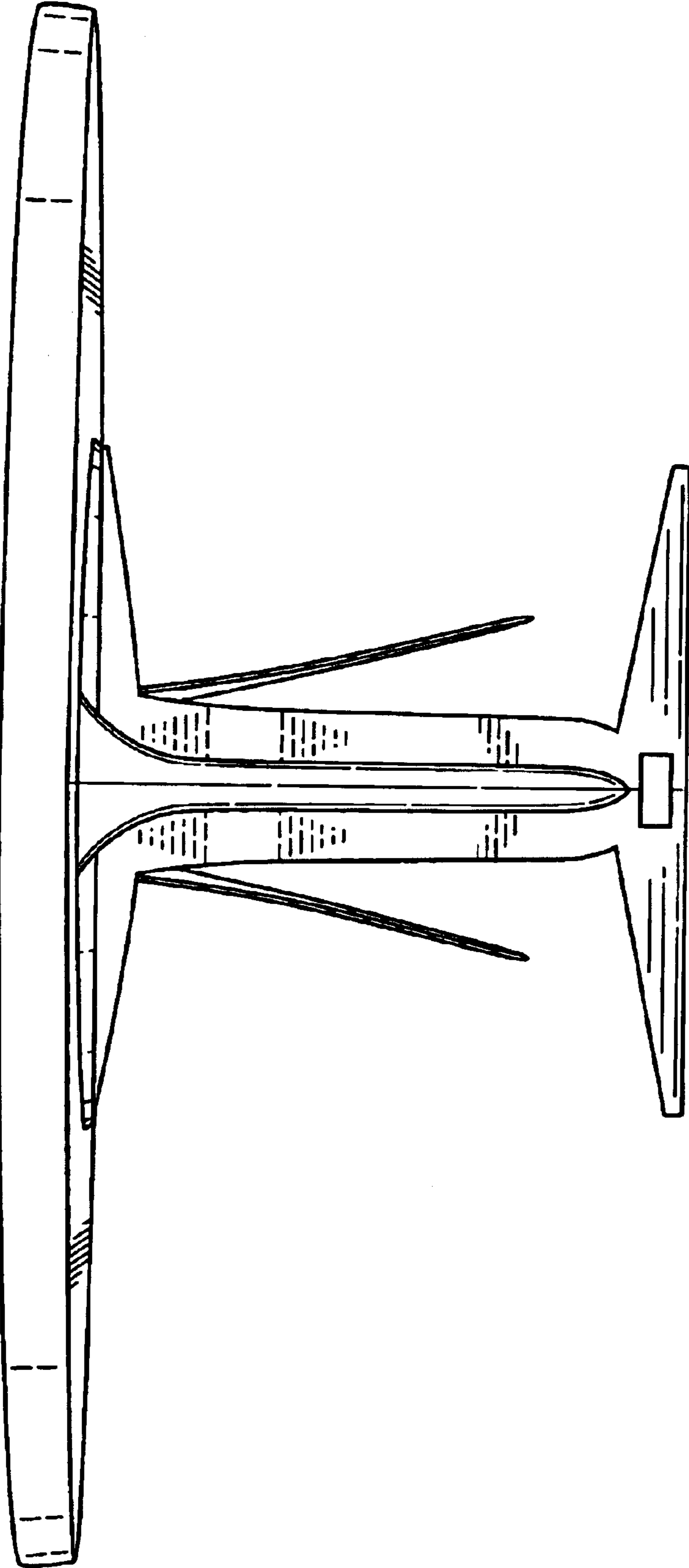


FIG. 6

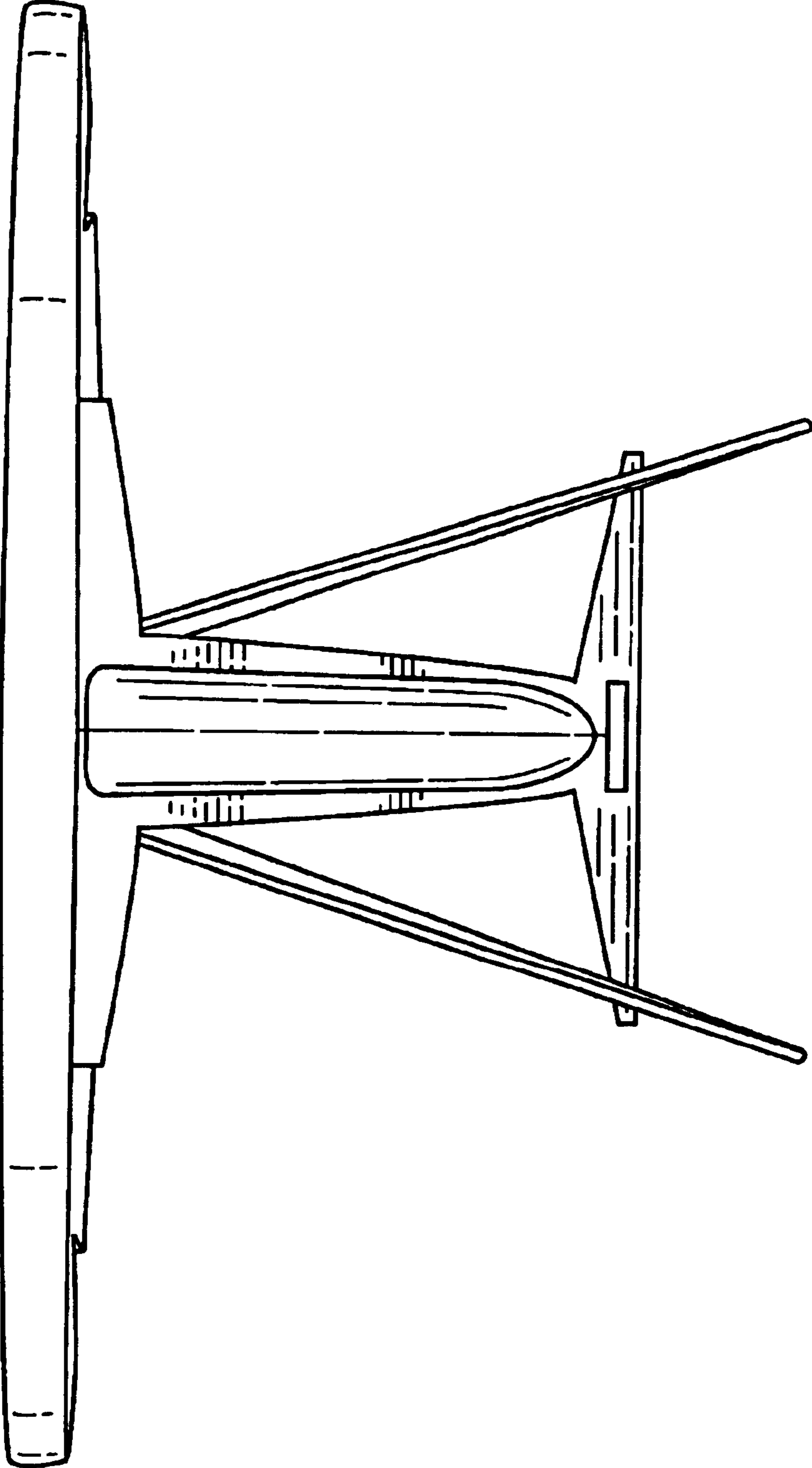


FIG. 7

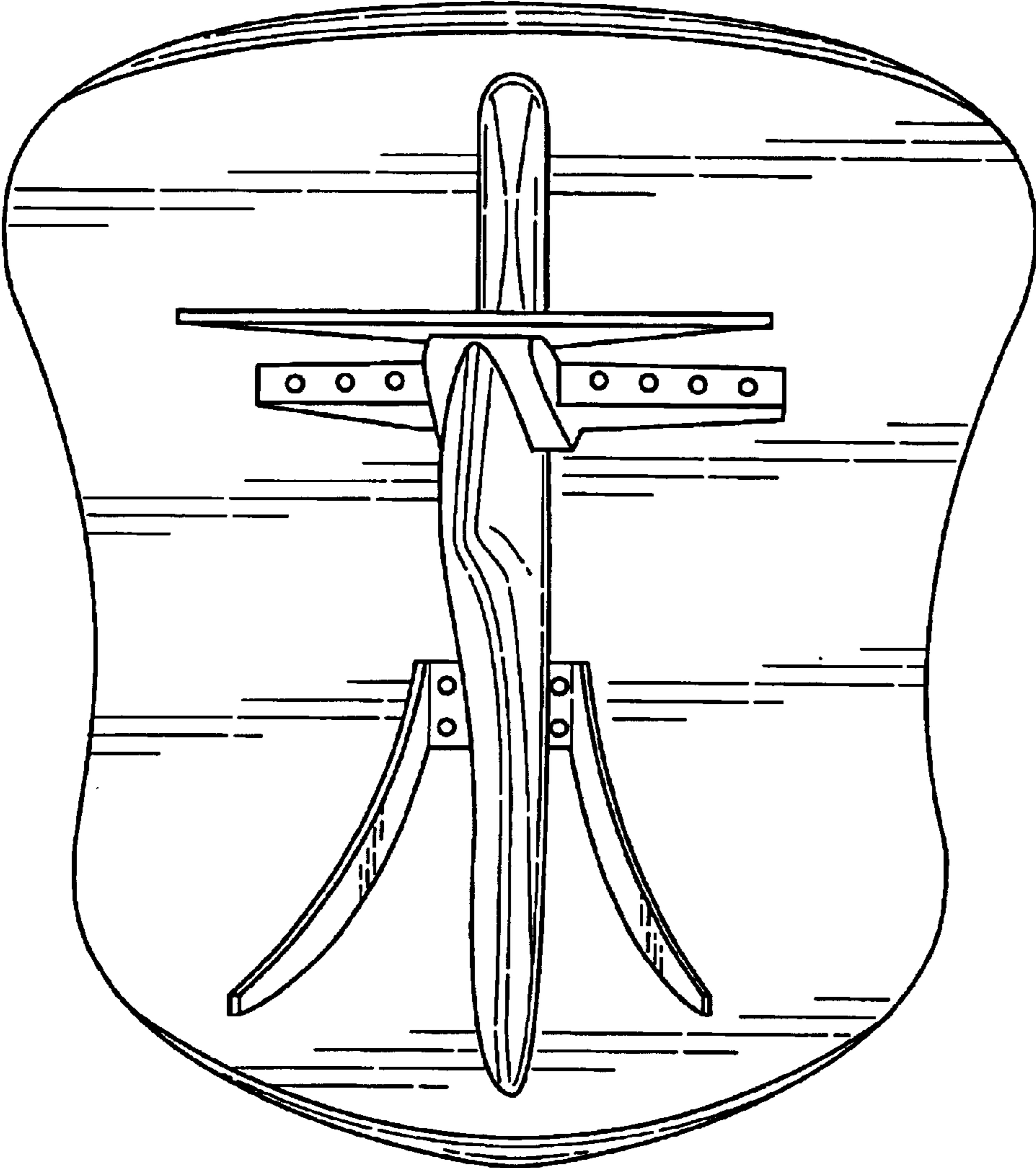


FIG. 8

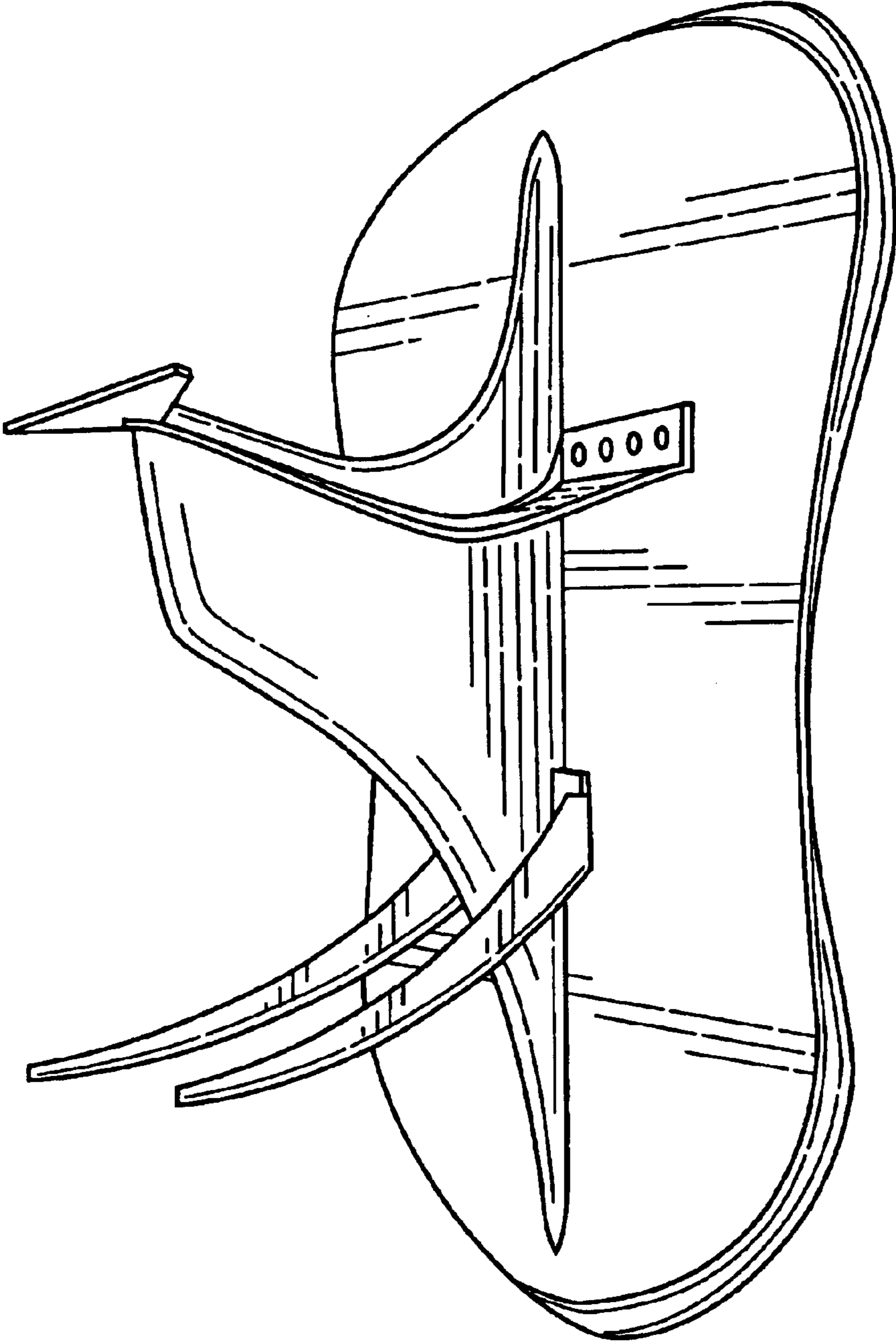


FIG. 9

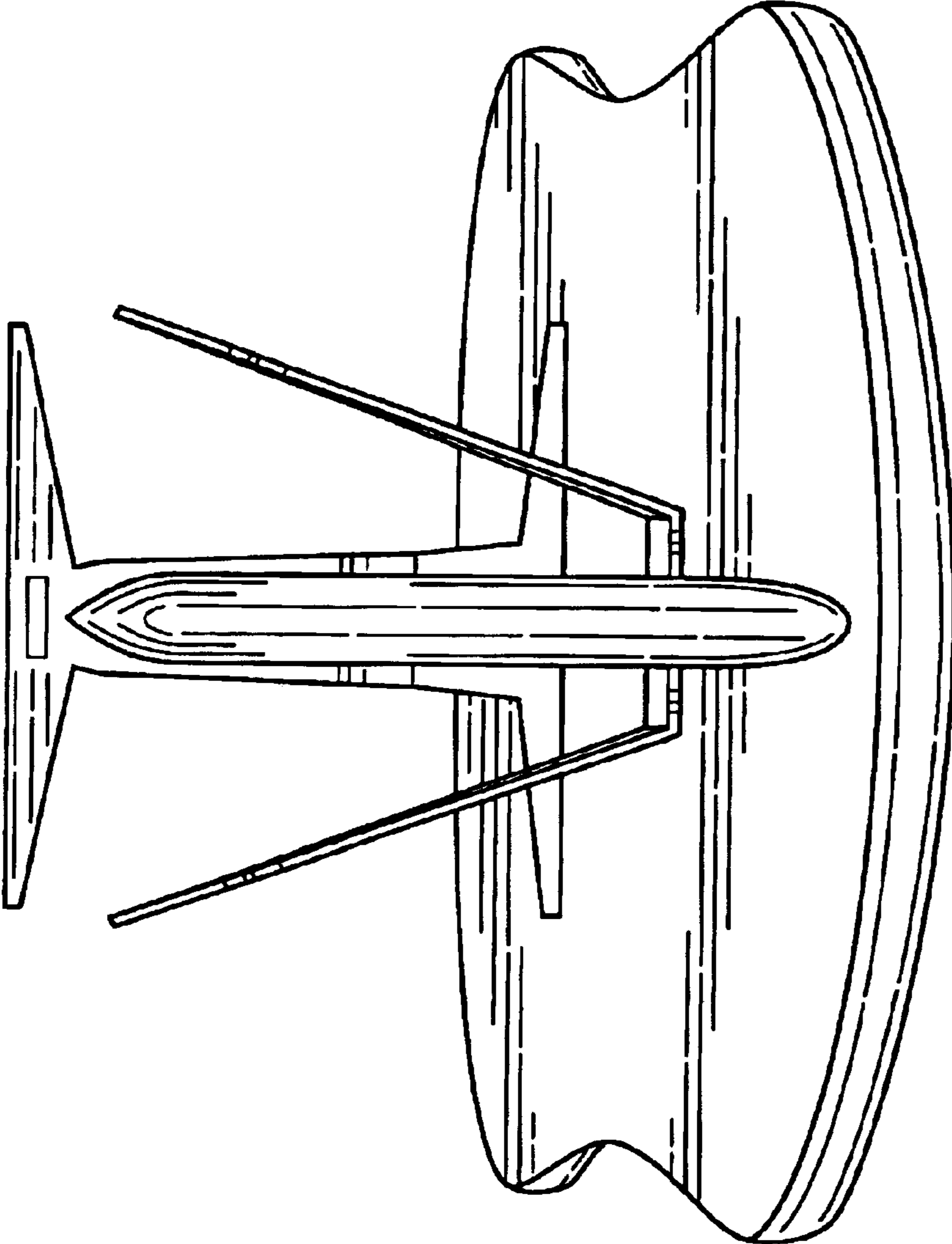


FIG. 10