

US00D492856S1

(12) **United States Design Patent**  
**Rossini et al.**

(10) **Patent No.:** **US D492,856 S**  
(45) **Date of Patent:** **\*\* Jul. 13, 2004**

(54) **MOBILE COMPUTER CART, TOP ASSEMBLY**

(75) Inventors: **Alfred P. Rossini**, Southboro, MA (US); **Louis F. Genatossio**, Shrewsbury, MA (US)

(73) Assignee: **Jaco, Inc.**, Franklin, MA (US)

(\*\*) Term: **14 Years**

(21) Appl. No.: **29/180,476**

(22) Filed: **Apr. 24, 2003**

(51) **LOC (7) Cl.** ..... **06-04**

(52) **U.S. Cl.** ..... **D6/426; D34/27**

(58) **Field of Search** ..... D34/12-27; D6/422, D6/423, 426-429, 474, 480, 511; 108/50.01, 50.02, 59

(56) **References Cited**

**U.S. PATENT DOCUMENTS**

D315,261 S	*	3/1991	Ng et al.	.....	D6/426
D339,257 S	*	9/1993	Scharer et al.	.....	D6/474
D435,367 S	*	12/2000	Tzeng	.....	D6/480
6,397,761 B1	*	6/2002	Moore	.....	108/50.01
D469,270 S	*	1/2003	Hawang	.....	D6/425

\* cited by examiner

*Primary Examiner*—Kay H. Chin  
(74) *Attorney, Agent, or Firm*—Brian M. Dingman, Esq.; Mirick, O’Connell, DeMallie & Lougee, LLP

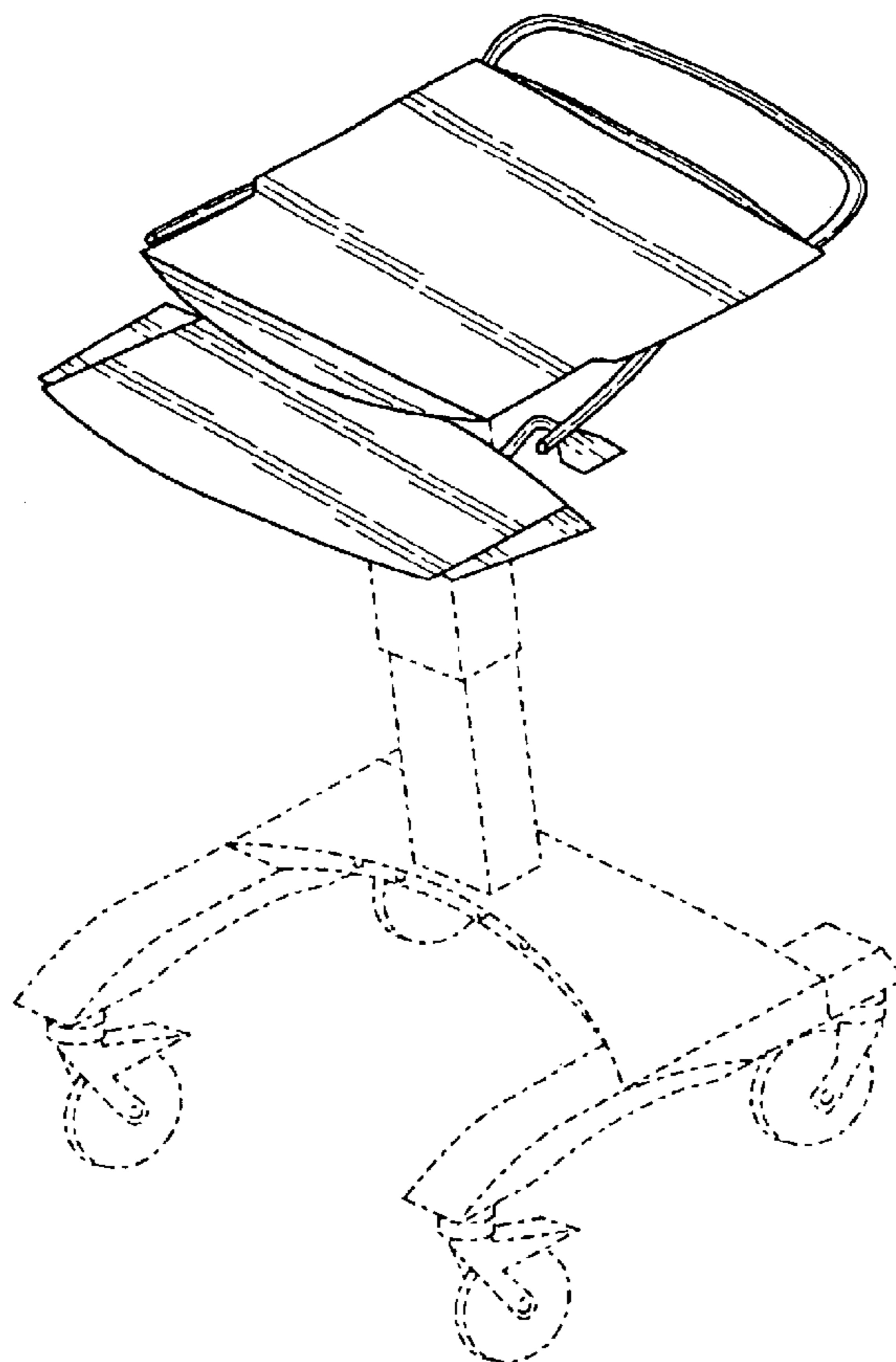
(57) **CLAIM**

The ornamental design for a mobile computer cart, top assembly, as shown and described.

**DESCRIPTION**

FIG. 1 is a perspective view of the mobile computer cart, top assembly of the invention;  
FIG. 2 is a front elevational view of the mobile computer cart, top assembly of FIG. 1;  
FIG. 3 is a rear elevational view of the mobile computer cart, top assembly of FIG. 1;  
FIG. 4 is a left side elevational view of the mobile computer cart, top assembly of FIG. 1;  
FIG. 5 is a right side elevational view of the mobile computer cart, top assembly of FIG. 1;  
FIG. 6 is a top view of the mobile computer cart, top assembly of FIG. 1; and,  
FIG. 7 is a bottom view of the mobile computer cart, top assembly of FIG. 1.

**1 Claim, 7 Drawing Sheets**



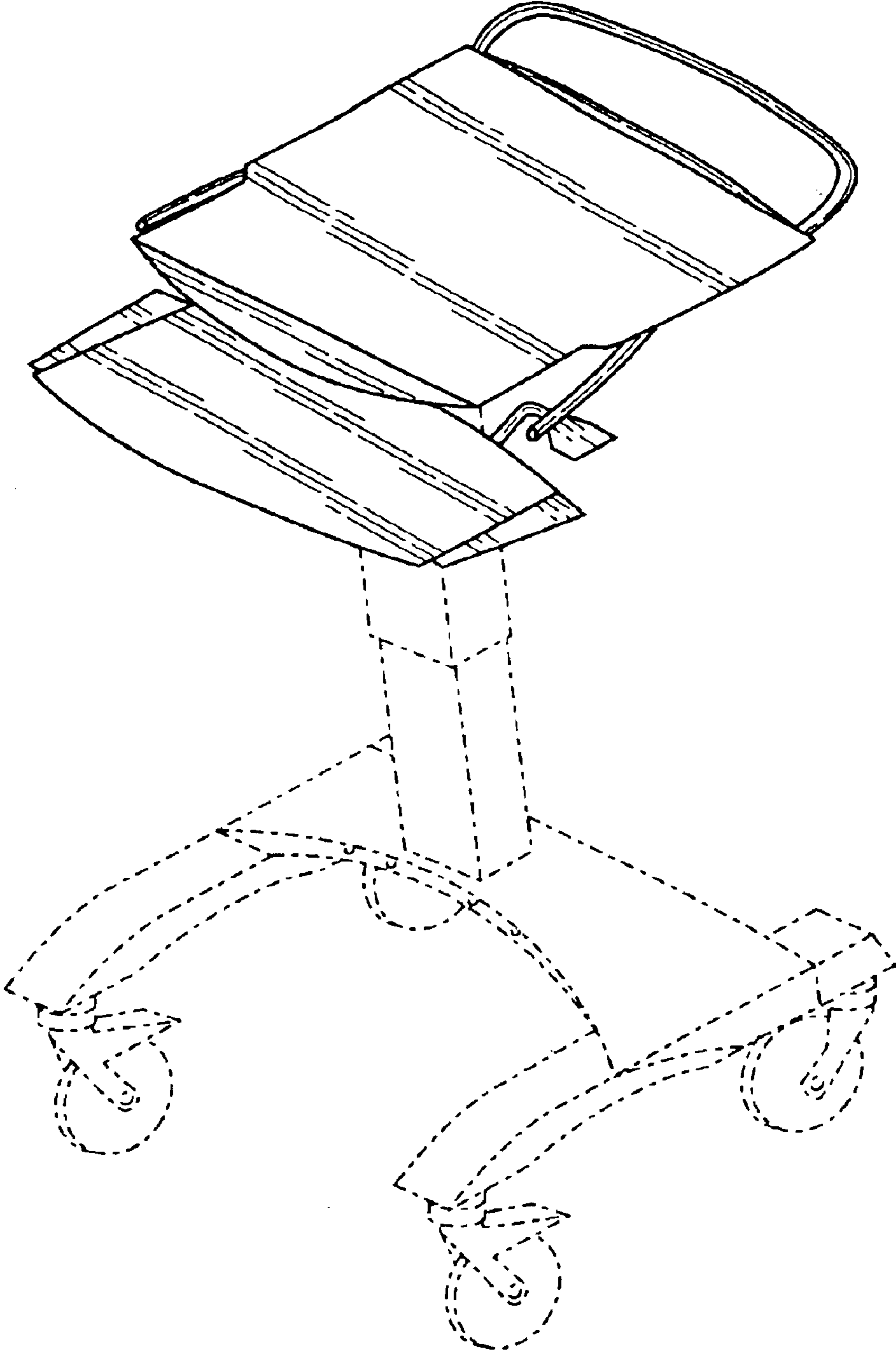


FIG. 1

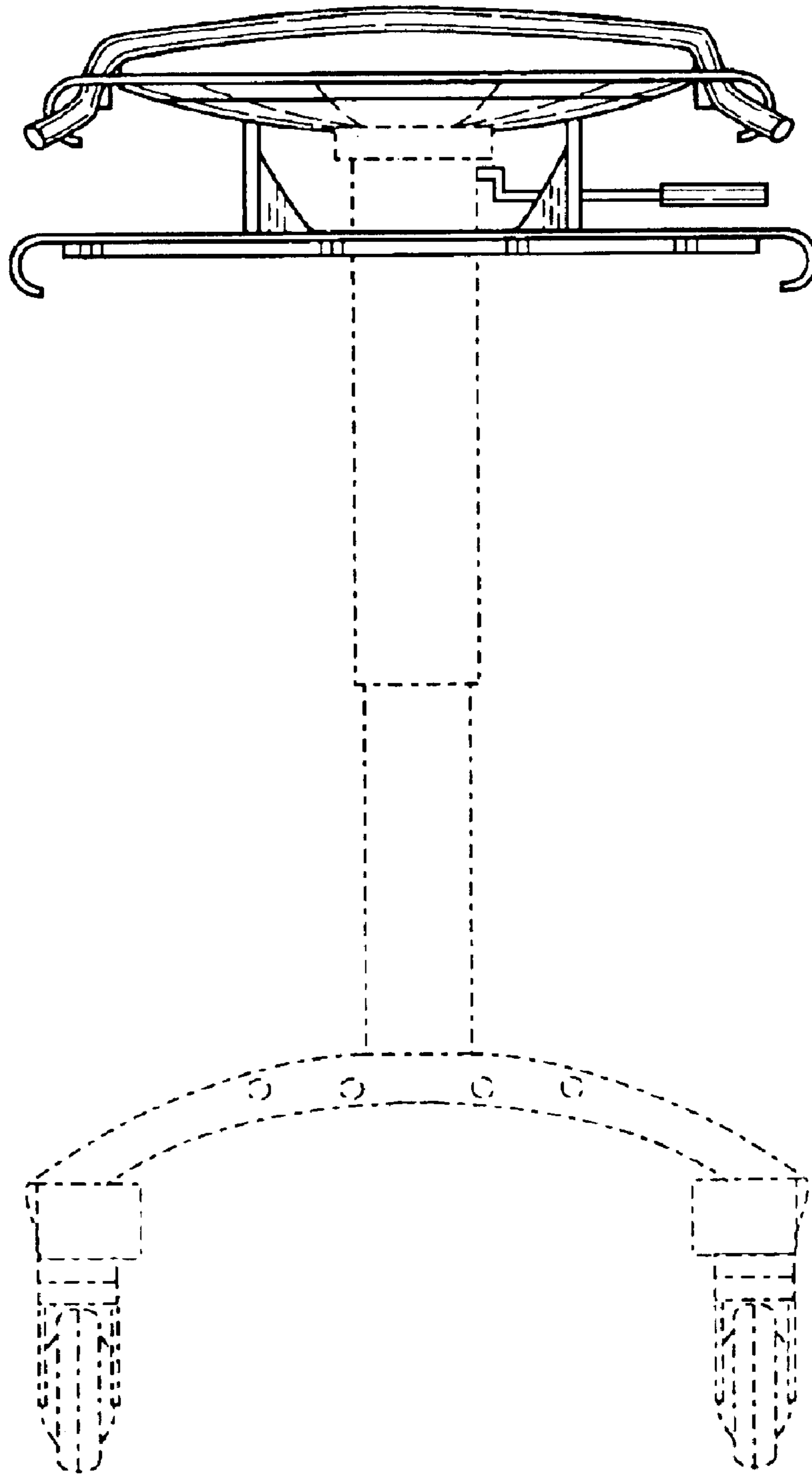


FIG. 2

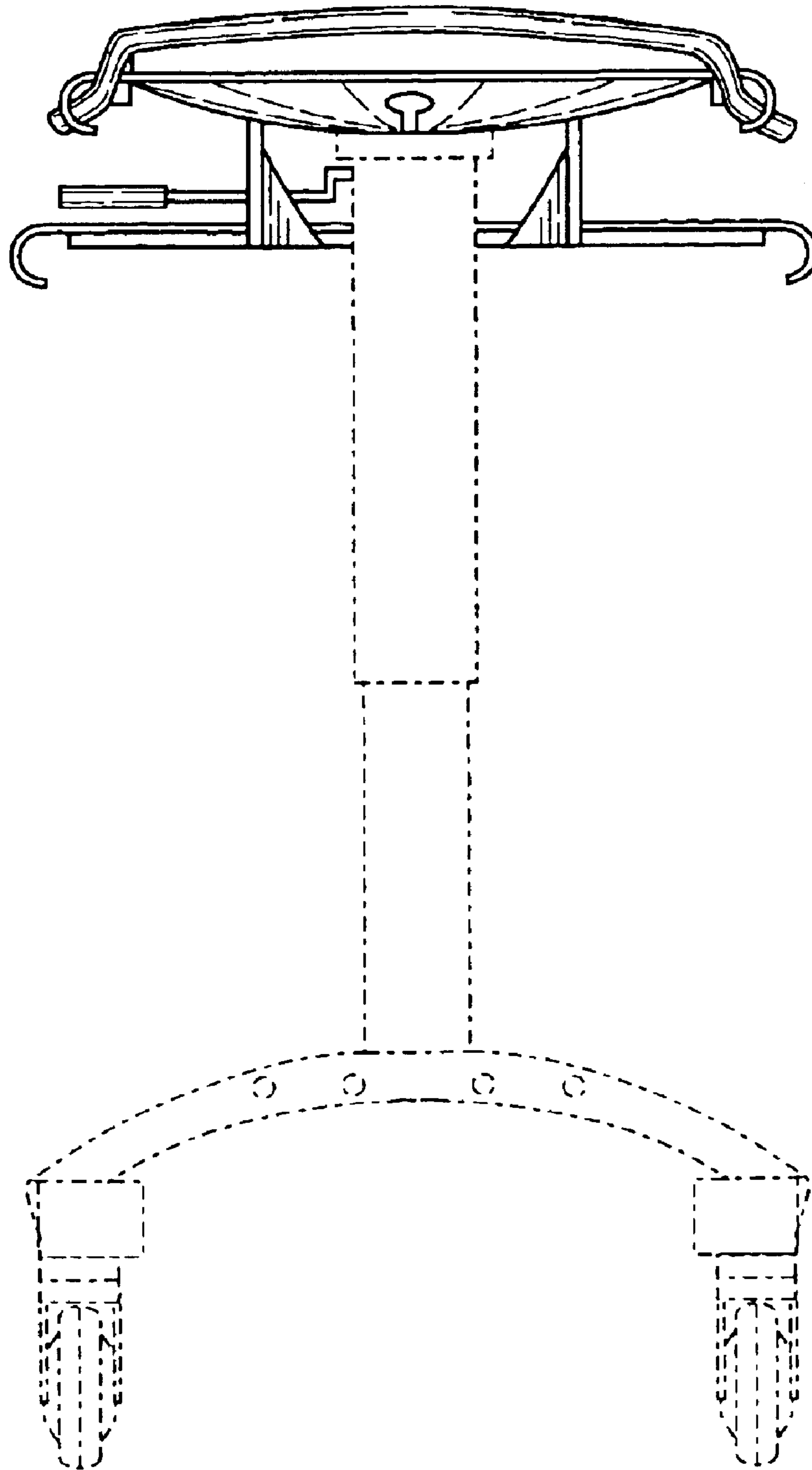


FIG. 3

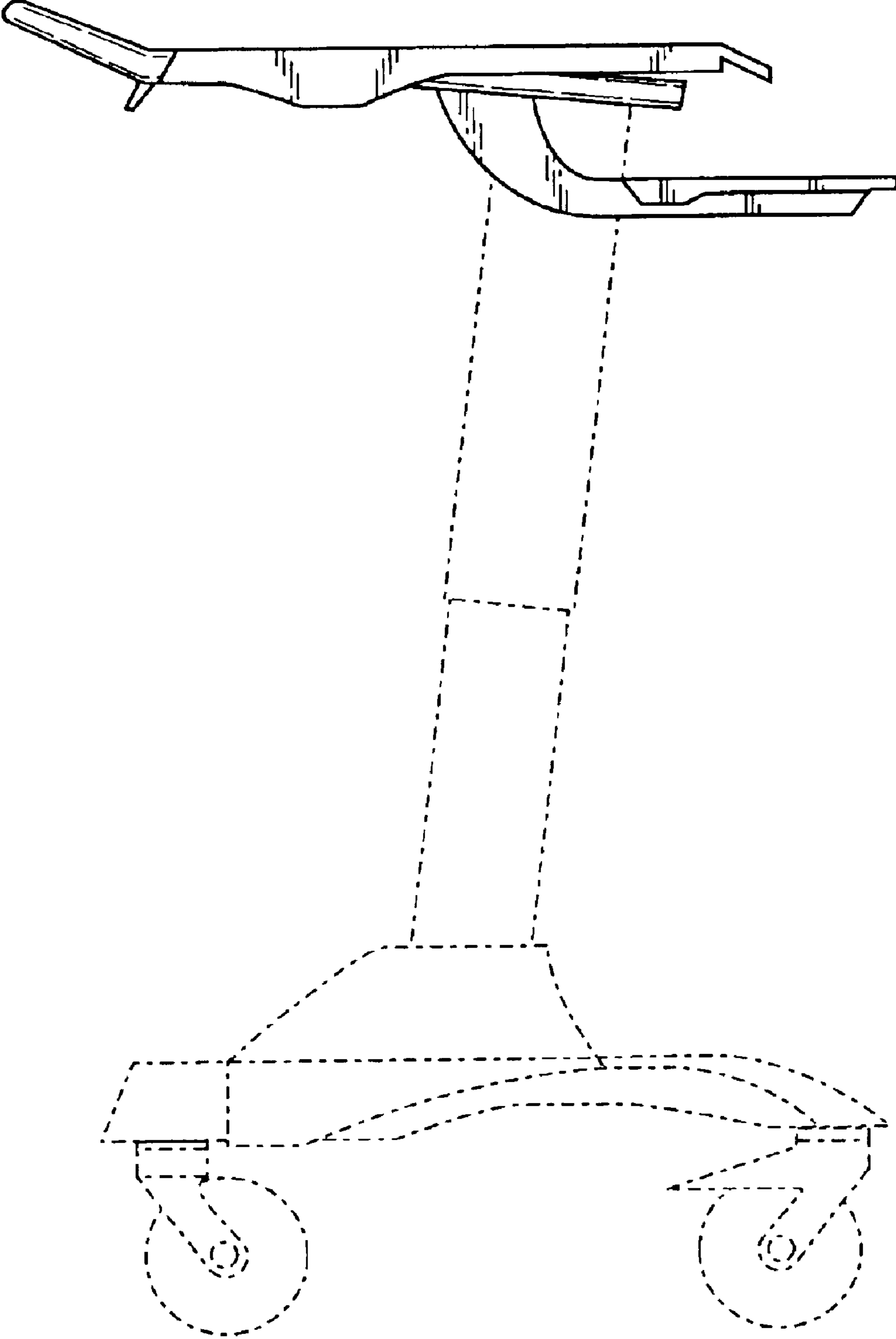


FIG. 4

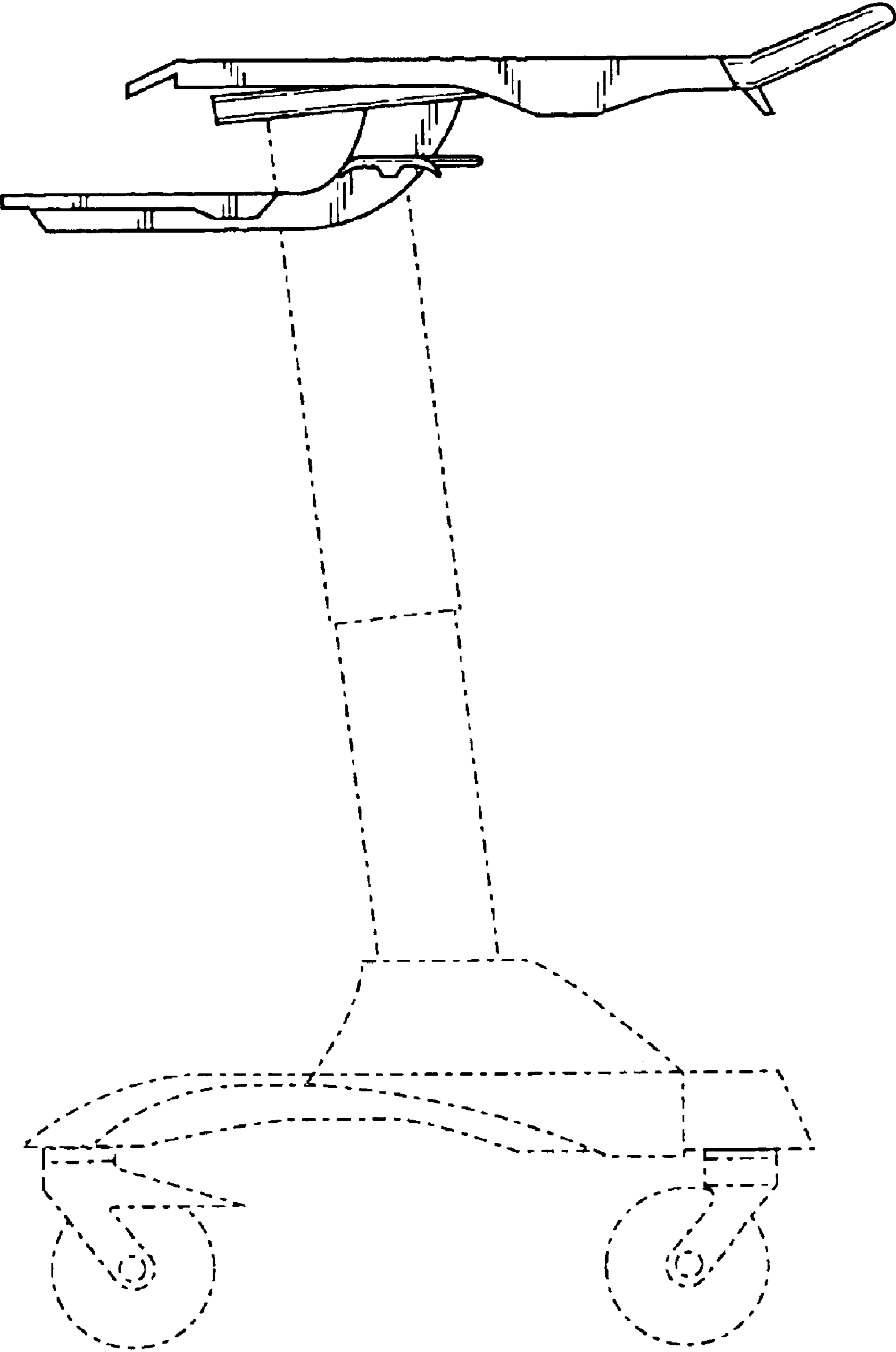


FIG. 5

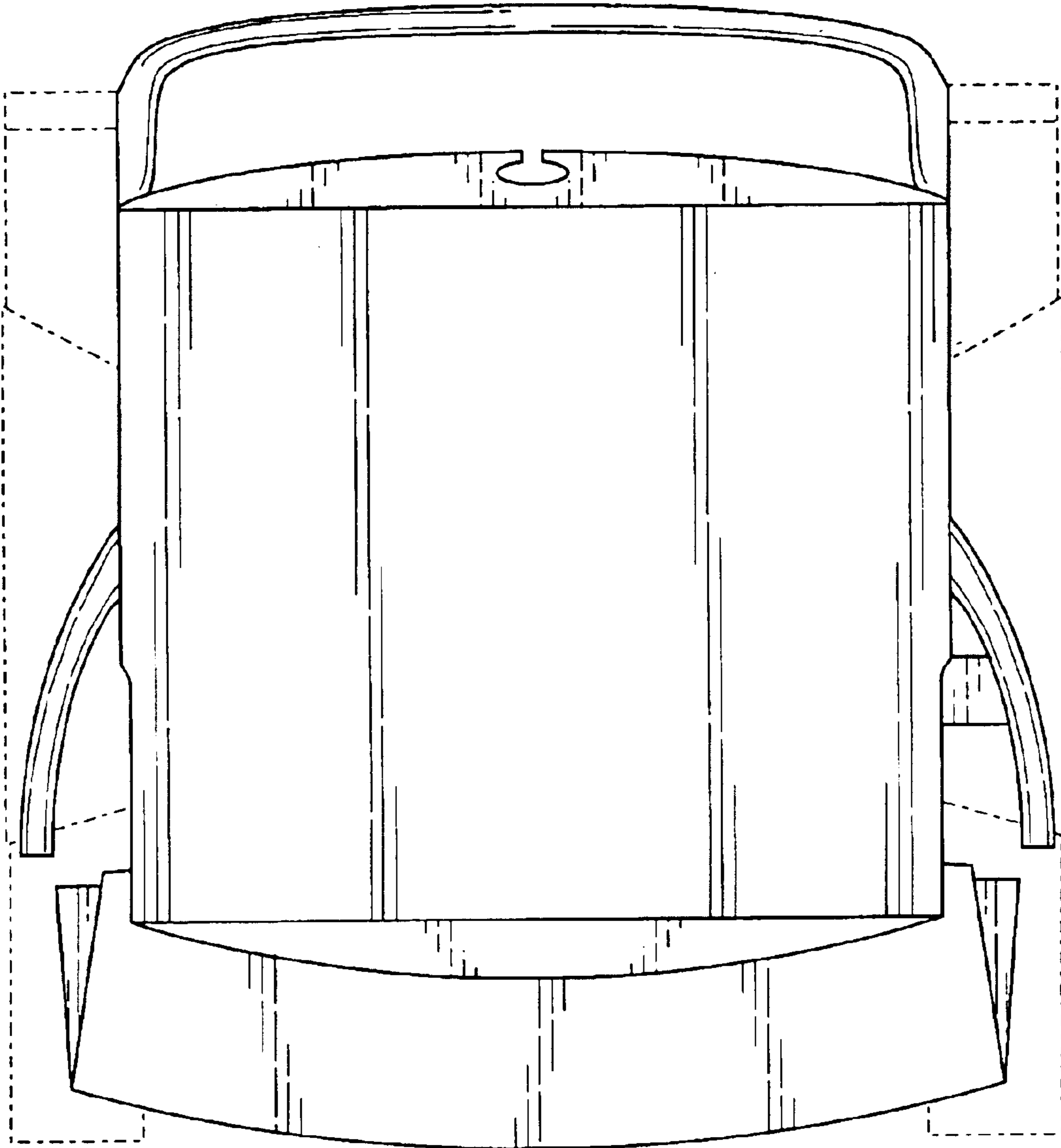


FIG. 6

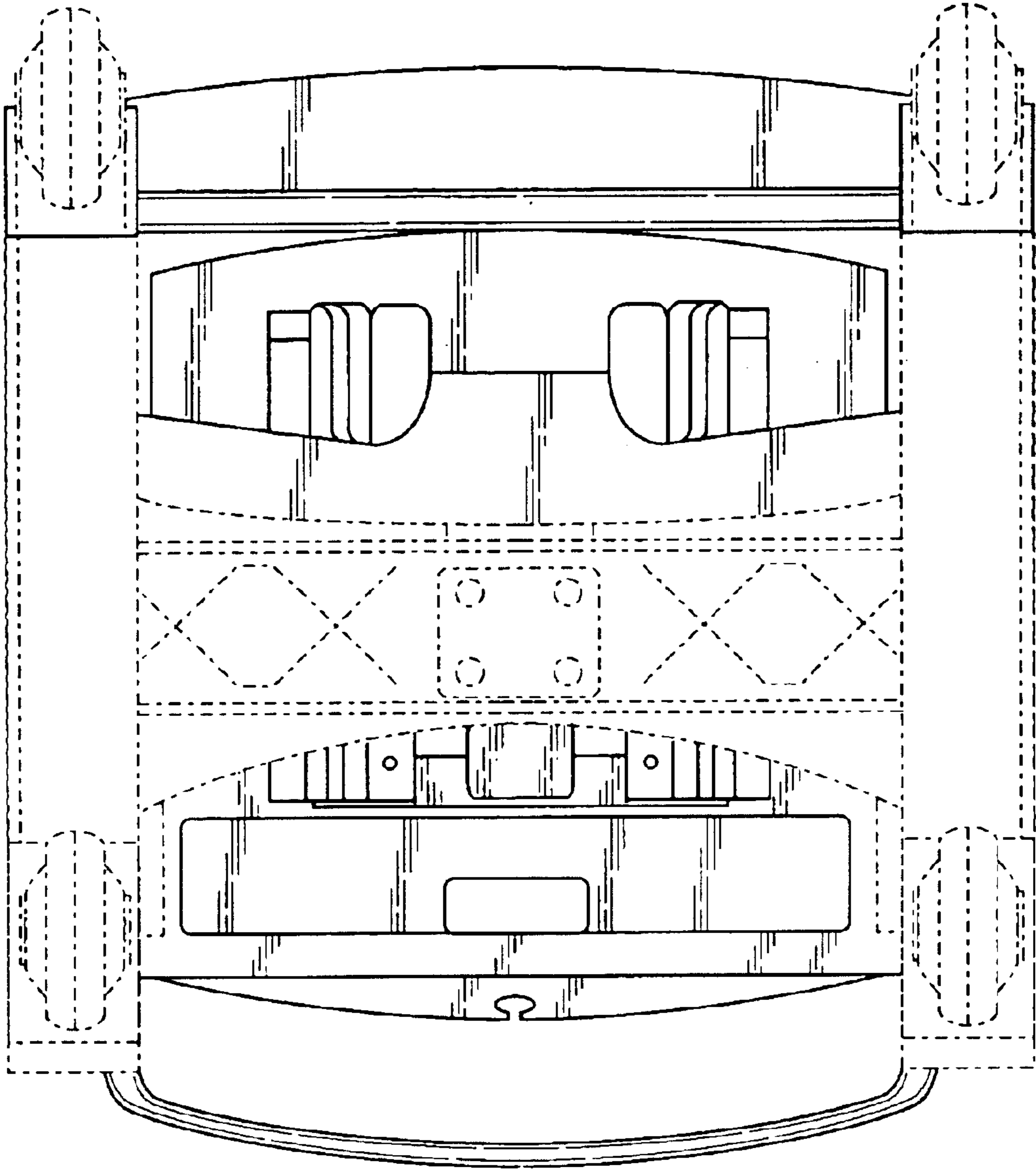


FIG. 7