



US00D492849S1

(12) **United States Design Patent** (10) **Patent No.:** **US D492,849 S**
Goulet et al. (45) **Date of Patent:** **** Jul. 13, 2004**

(54) **PAINT BRUSH STORAGE CONTAINER**

6,059,106 A 5/2000 Baker et al. 206/361
6,390,430 B1 5/2002 Hawley et al. 248/311.2

(75) Inventors: **Matthew Goulet**, Milwaukee, WI (US);
Dan Schuler, Chicago, IL (US); **Dan Altheimer**, Grafton, WI (US)

* cited by examiner

(73) Assignee: **Newell Operating Company**, Freeport, IL (US)

Primary Examiner—Alan P. Douglas
Assistant Examiner—Lavone D. Tabor
(74) *Attorney, Agent, or Firm*—Marshall, Gerstein & Borun LLP

(**) Term: **14 Years**

(57) **CLAIM**

(21) Appl. No.: **29/177,860**

The ornamental design for a “paint brush storage container,” as shown and described.

(22) Filed: **Mar. 18, 2003**

DESCRIPTION

(51) **LOC (7) Cl.** **04-99**
(52) **U.S. Cl.** **D4/199; D9/415**
(58) **Field of Search** D4/199; D3/201;
D9/415, 426, 430, 431, 433; 206/15.2,
15.3, 349, 361, 362.3, 362.4, 461–463,
465, 470, 471; 220/4.22–4.24; 229/406;
15/246–247

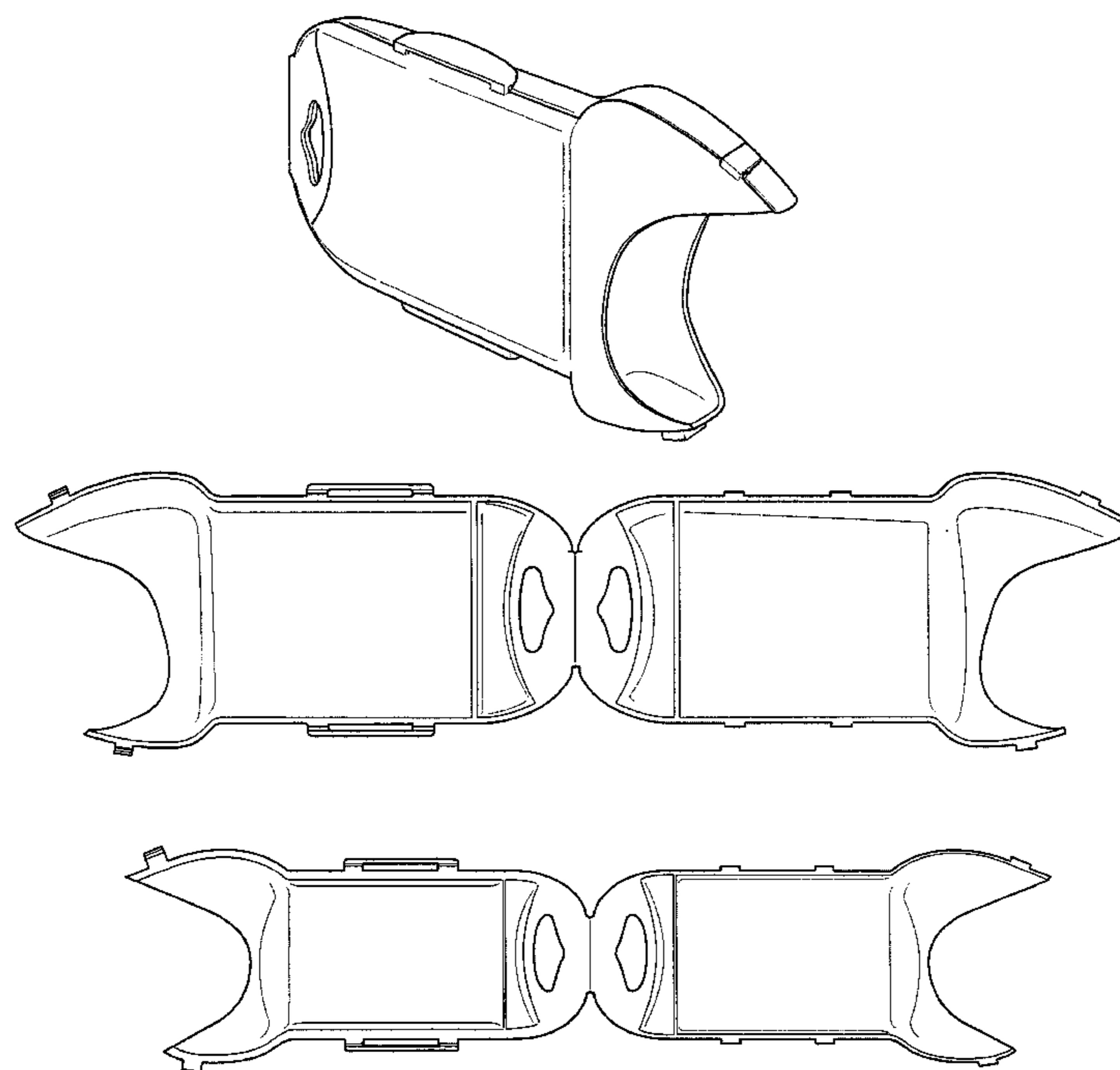
FIG. 1 is a perspective view of a paint brush storage container showing our new design in a storage position; FIG. 2 is a rear view thereof; FIG. 3 is a front view thereof; FIG. 4 is a right side view thereof; FIG. 5 is a left side view thereof; FIG. 6 is a bottom view thereof; FIG. 7 is a top view thereof; FIG. 8 is a perspective view showing the paint brush storage container of FIG. 1 in a receiving position; FIG. 9 is a perspective view showing an alternative embodiment of my new design in a storage position; FIG. 10 is a rear view thereof; FIG. 11 is a front view thereof; FIG. 12 is a right side view thereof; FIG. 13 is a left side view thereof; FIG. 14 is a bottom view thereof; FIG. 15 is a top view thereof; and, FIG. 16 is a perspective view from above showing the paint brush storage container of FIG. 9 in a receiving position.

(56) **References Cited**

U.S. PATENT DOCUMENTS

1,204,531 A	11/1916	Wright	
D127,003 S	* 5/1941	Gibo D9/433
2,763,367 A	* 9/1956	Schumann 206/362.4
3,800,998 A	4/1974	Gask	
4,423,811 A	1/1984	Knapp 206/362.3
4,865,188 A	9/1989	Custeau 206/209
D335,032 S	4/1993	Durkin, III D4/199
5,645,167 A	7/1997	Conrad 206/361
D393,545 S	4/1998	Fernandes D4/199
D401,765 S	12/1998	Soutullo D4/199
D408,151 S	4/1999	Drees et al. D4/199
D411,102 S	6/1999	Planchard D9/305
D425,708 S	5/2000	Drees et al. D4/199

1 Claim, 8 Drawing Sheets



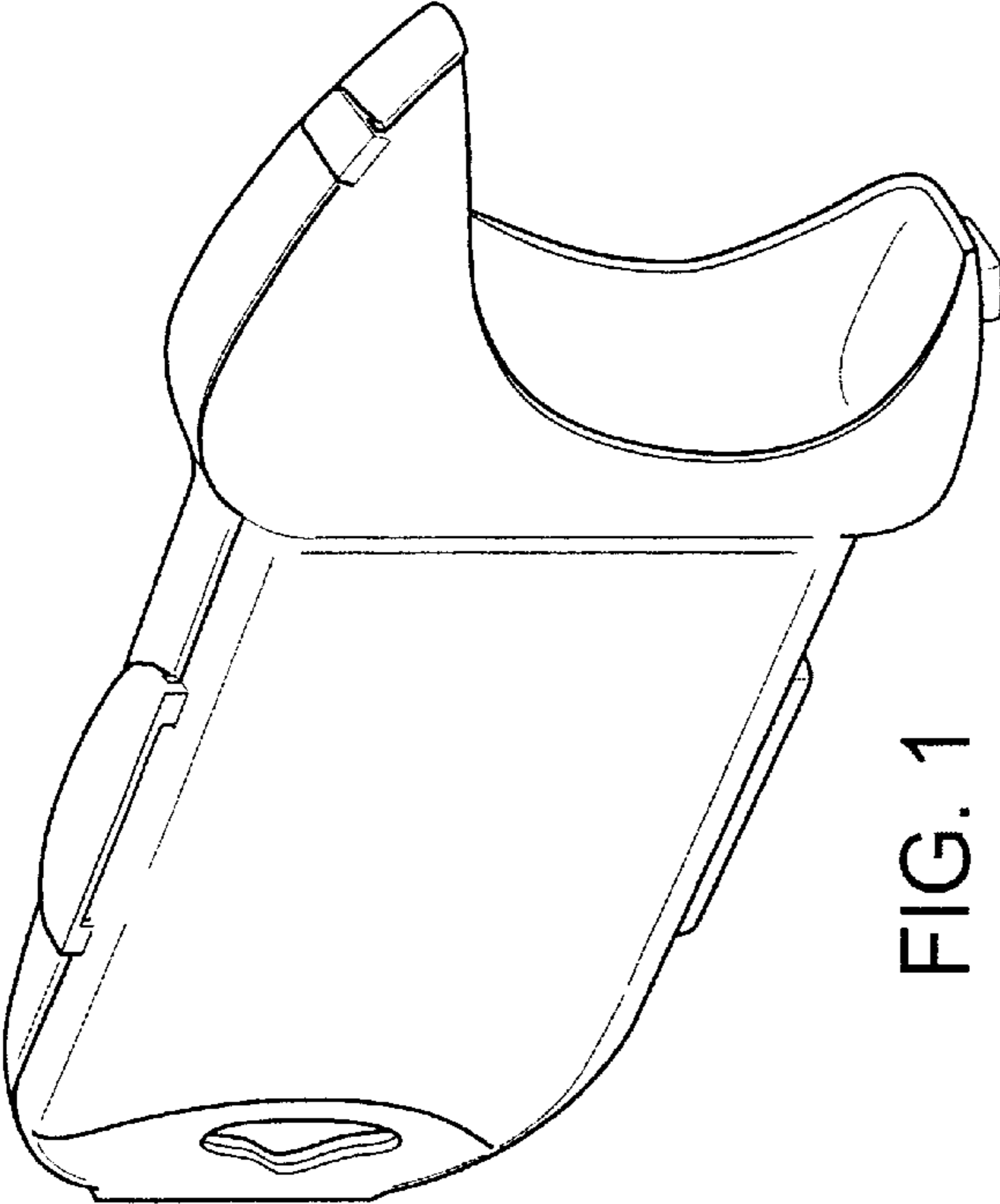


FIG. 1

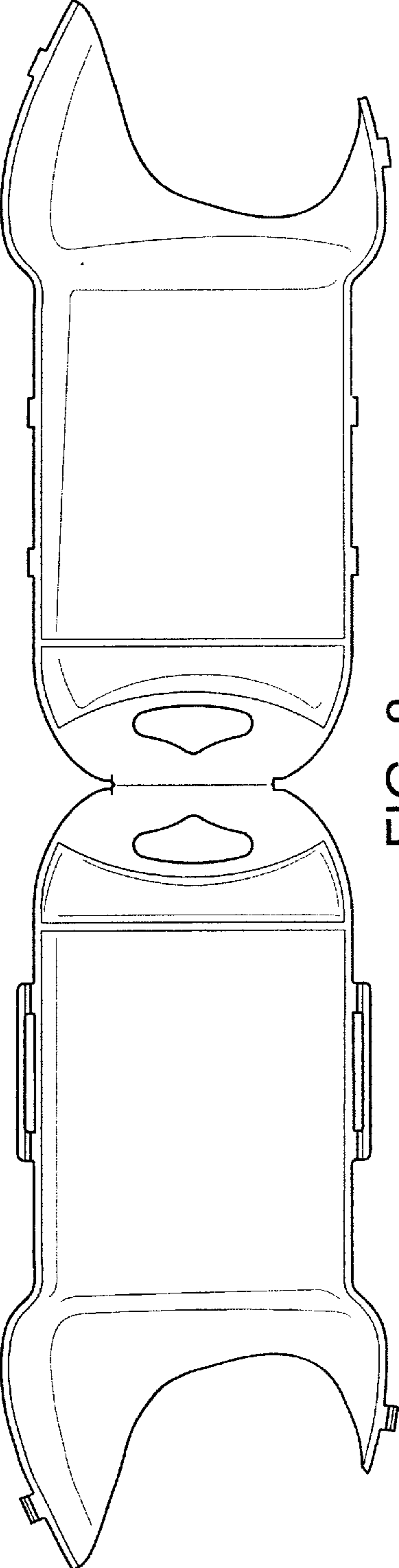


FIG. 8

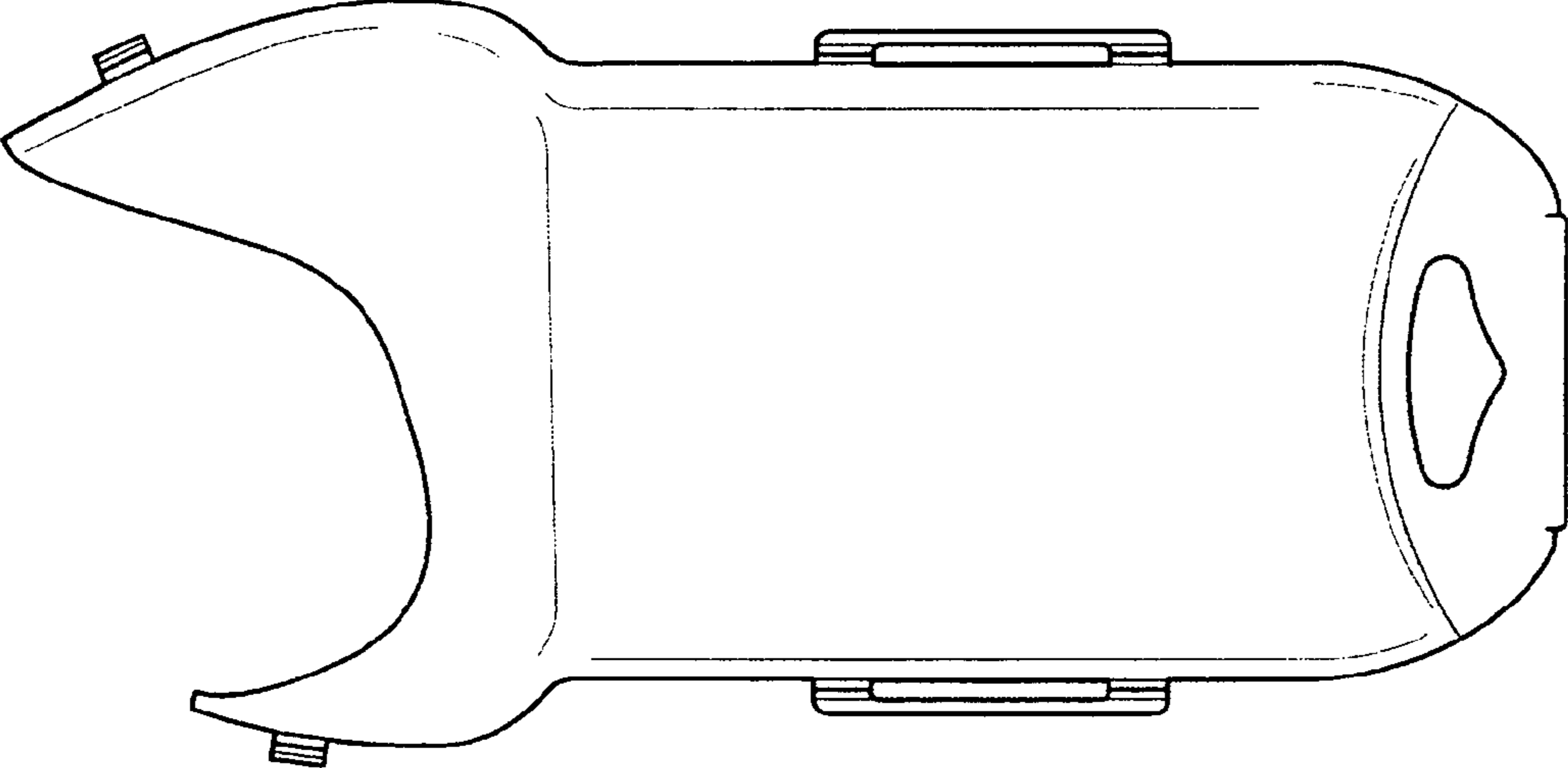


FIG. 2

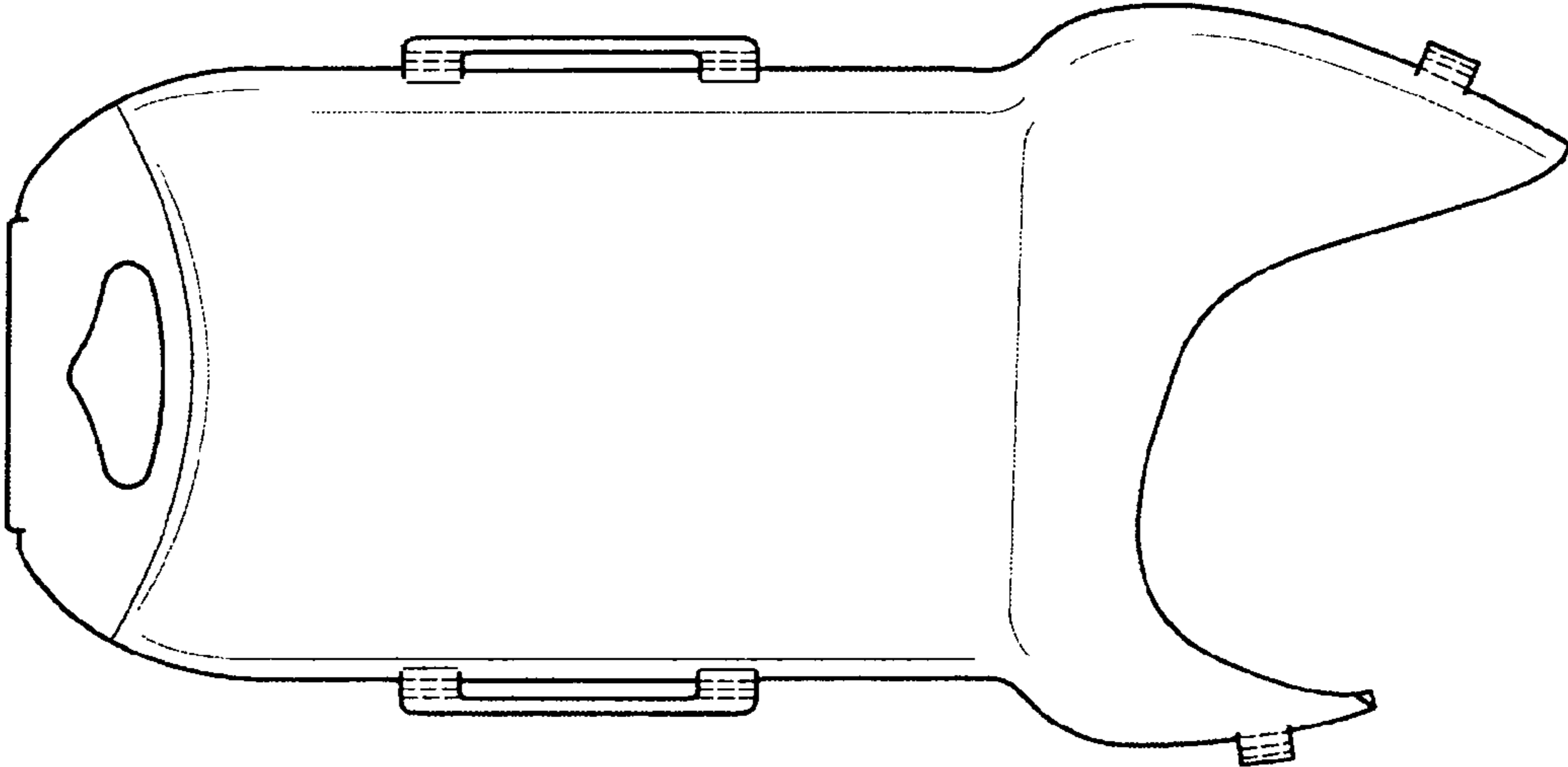


FIG. 3

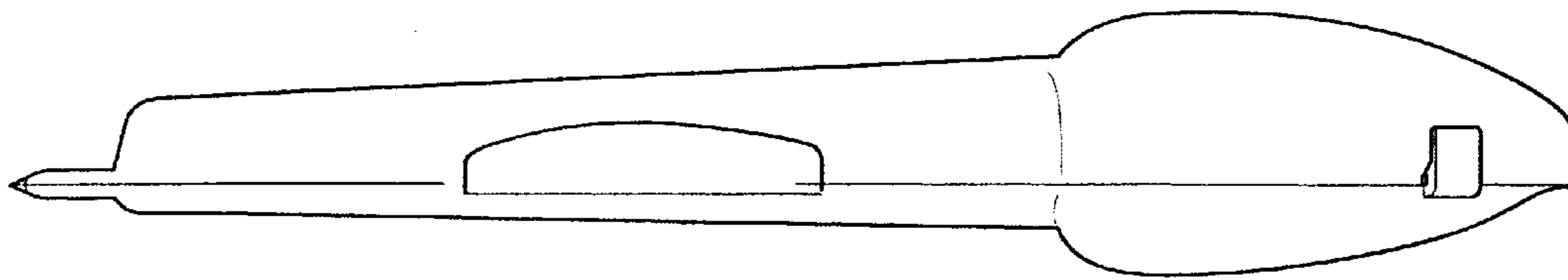


FIG. 4

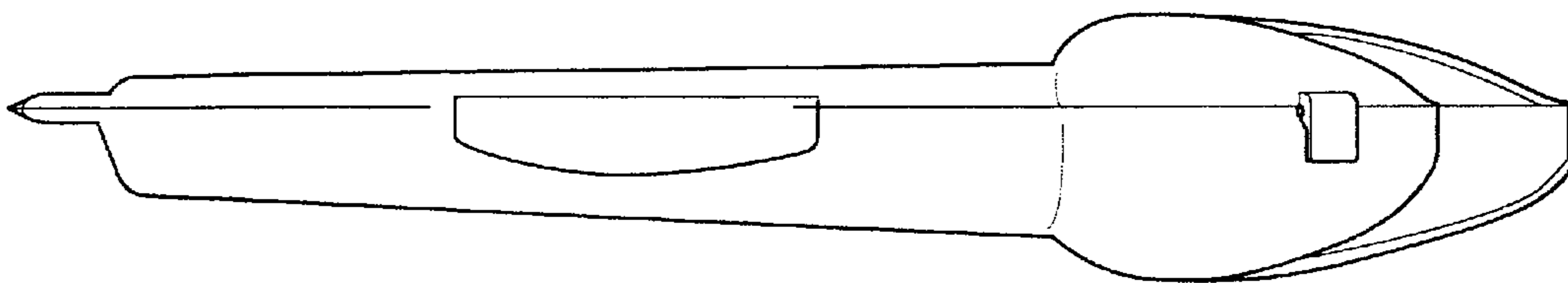


FIG. 5

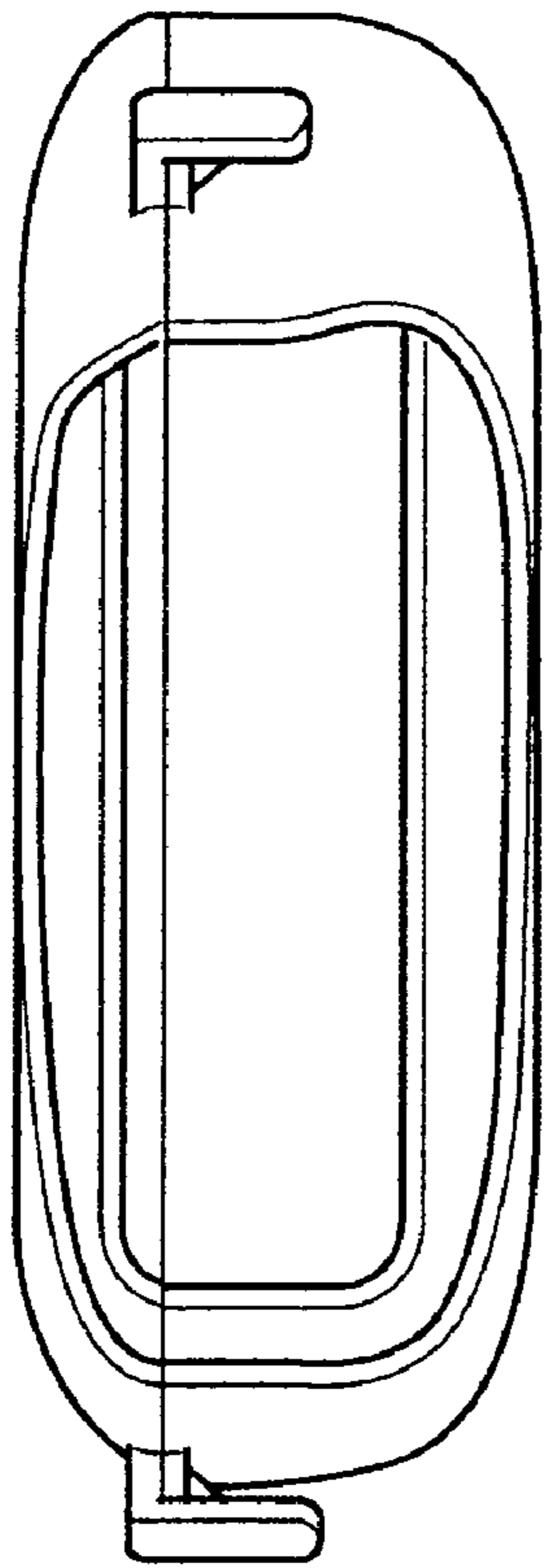


FIG. 6

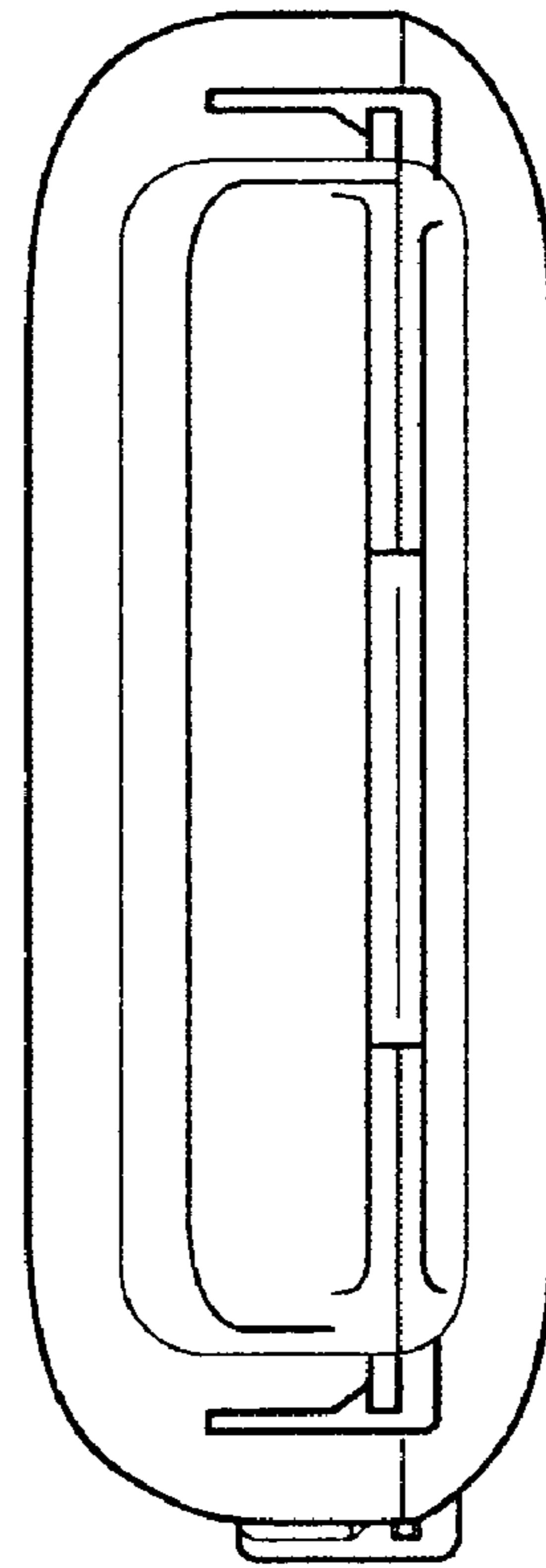


FIG. 7

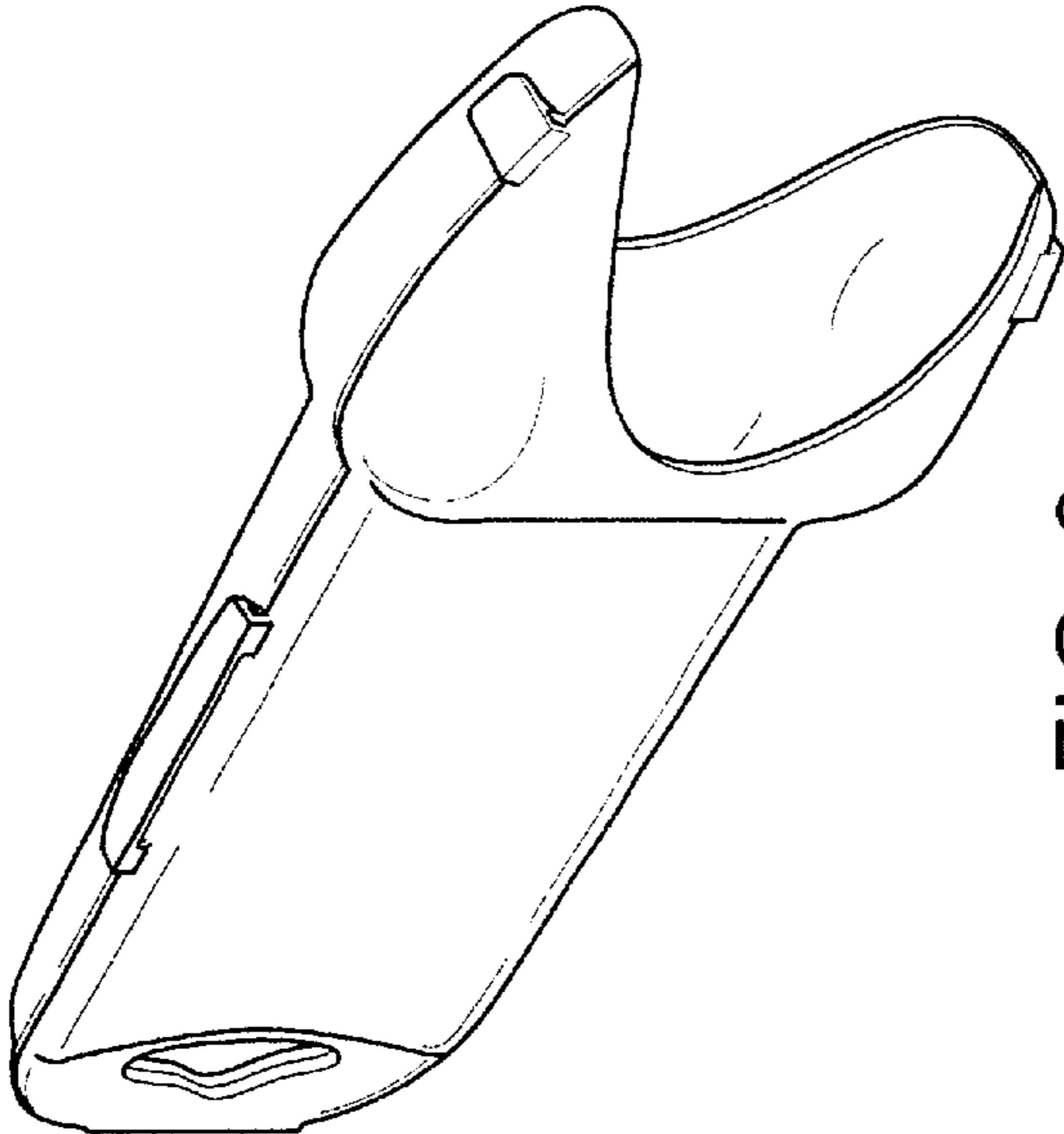


FIG. 9

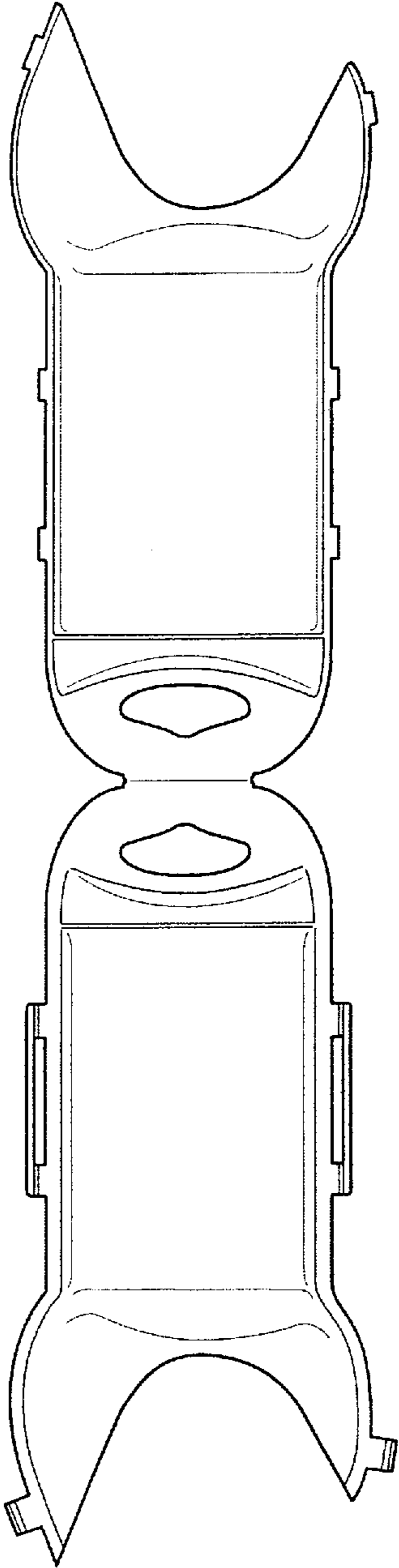


FIG. 16

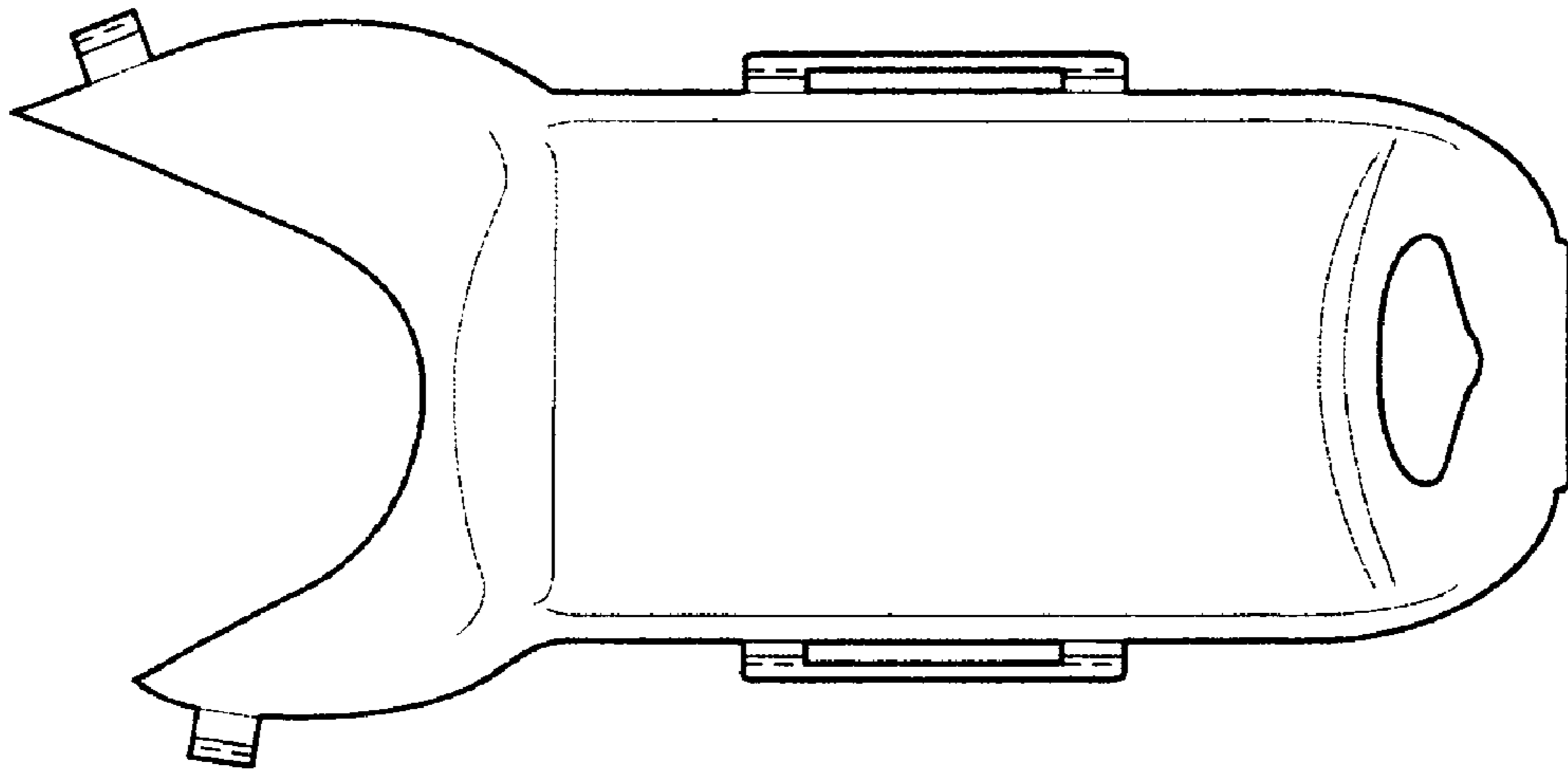


FIG. 10

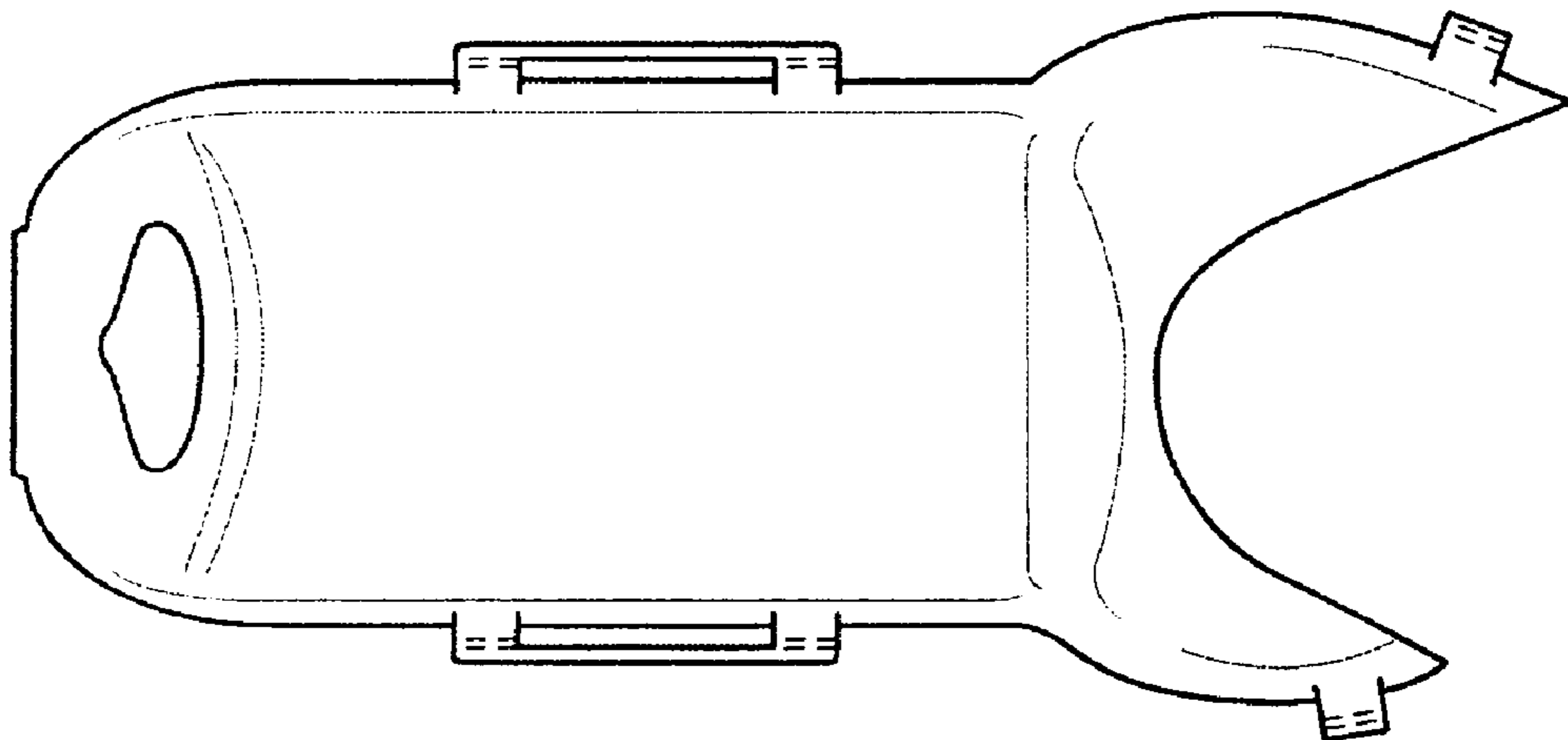


FIG. 11

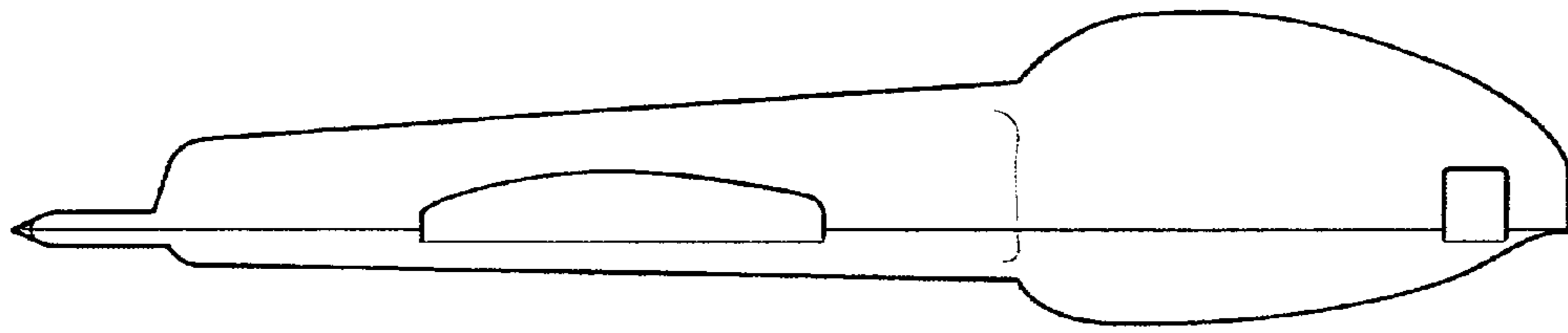


FIG. 12

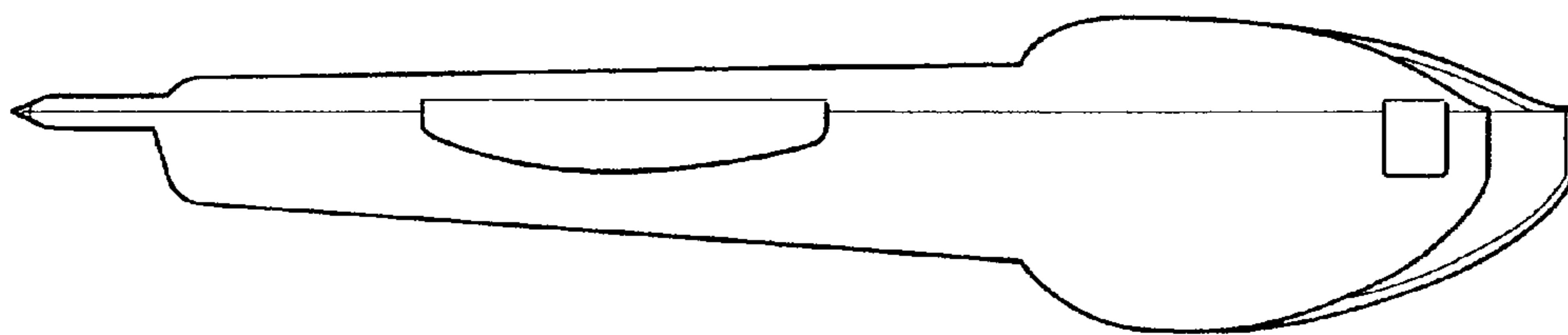


FIG. 13

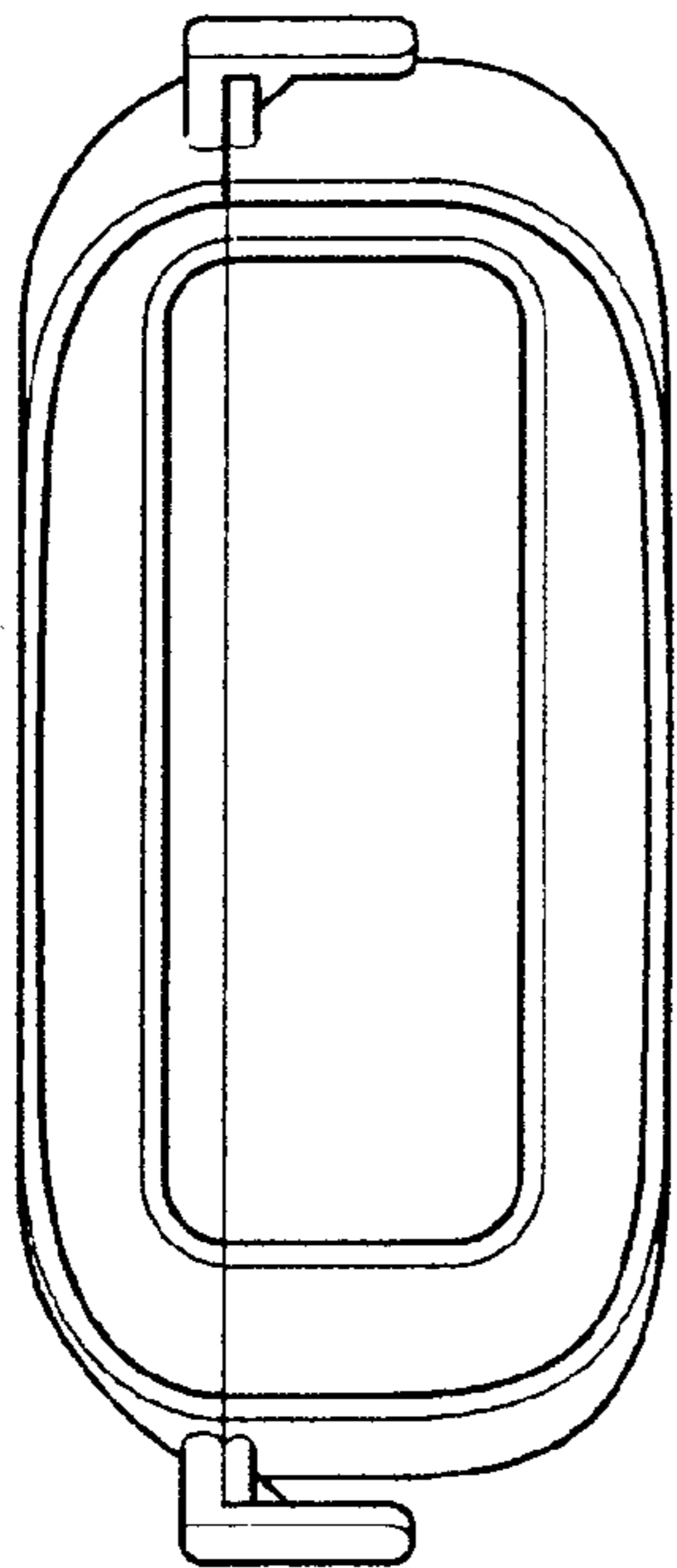


FIG. 14

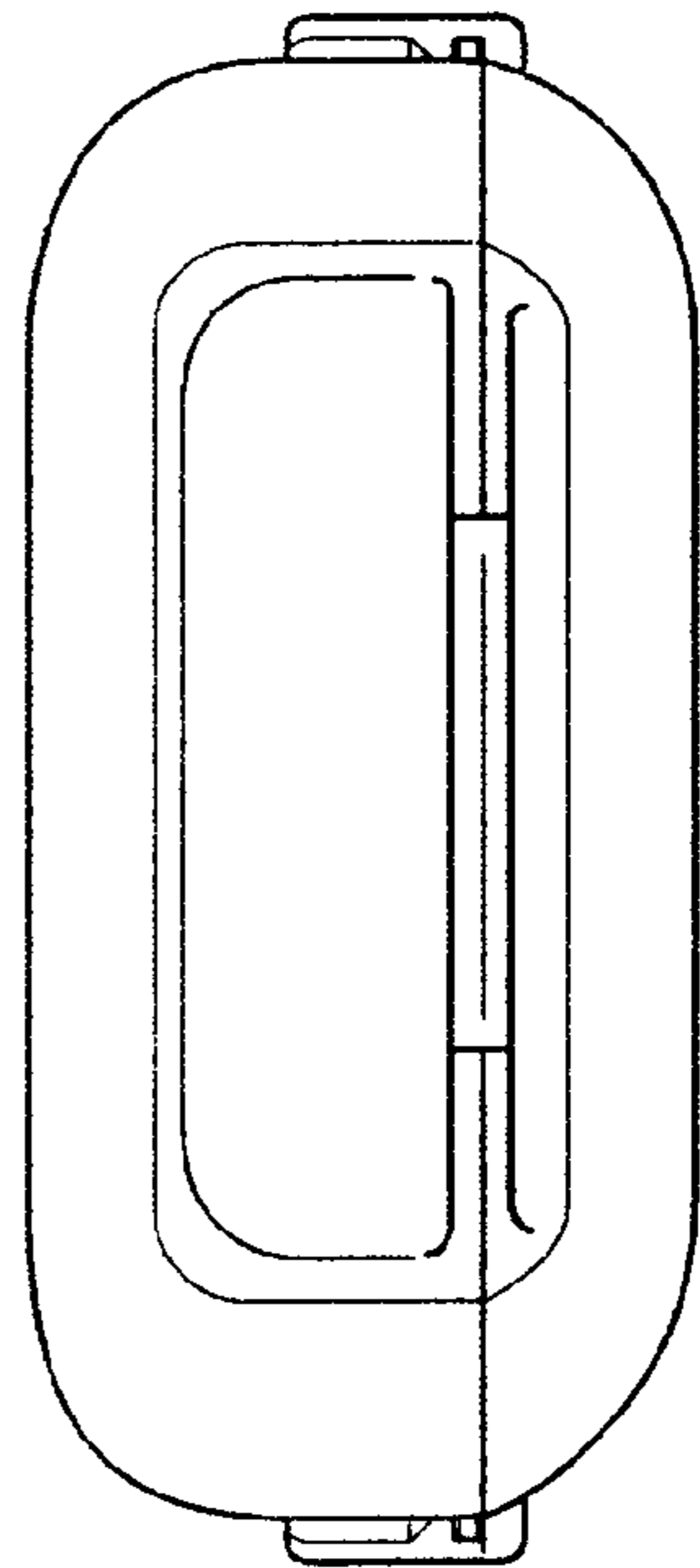


FIG. 15