

US00D492846S1

(12) **United States Design Patent**  
**Weiser et al.**

(10) **Patent No.:** **US D492,846 S**  
(45) **Date of Patent:** **\*\* Jul. 13, 2004**

(54) **CONTAINER**  
(75) Inventors: **Isaac Weiser**, Tarzana, CA (US);  
**Margaret Weiser**, Tarzana, CA (US)  
(73) Assignee: **Exhart Environment Systems, Inc.**,  
Chatsworth, CA (US)  
(\*\*) Term: **14 Years**

D263,430 S \* 3/1982 Berman ..... D3/309  
D314,279 S \* 2/1991 Hotchkiss ..... D3/309  
5,086,917 A \* 2/1992 Dziersek et al. .... 206/216  
D342,813 S \* 12/1993 Verchere ..... D32/55  
D363,627 S \* 10/1995 North ..... D6/513  
6,062,389 A \* 5/2000 Kent ..... 206/518

\* cited by examiner

(21) Appl. No.: **29/191,073**  
(22) Filed: **Sep. 30, 2003**

*Primary Examiner*—Louis S. Zarfes  
*Assistant Examiner*—Deanne Levy  
(74) *Attorney, Agent, or Firm*—Cislo & Thomas LLP

**Related U.S. Application Data**

(62) Division of application No. 29/168,241, filed on Sep. 27,  
2002, now Pat. No. Des. 484,700.

(51) **LOC (7) Cl.** ..... **03-01**  
(52) **U.S. Cl.** ..... **D3/311**  
(58) **Field of Search** ..... D3/304, 307–315;  
D6/524; D32/53, 53.1, 55; 15/264; 206/503,  
509, 515, 518; 220/475, 752, 756, 771,  
555, 553, 904, DIG. 14

(57) **CLAIM**

The ornamental design for a container, as shown and  
described herein.

**DESCRIPTION**

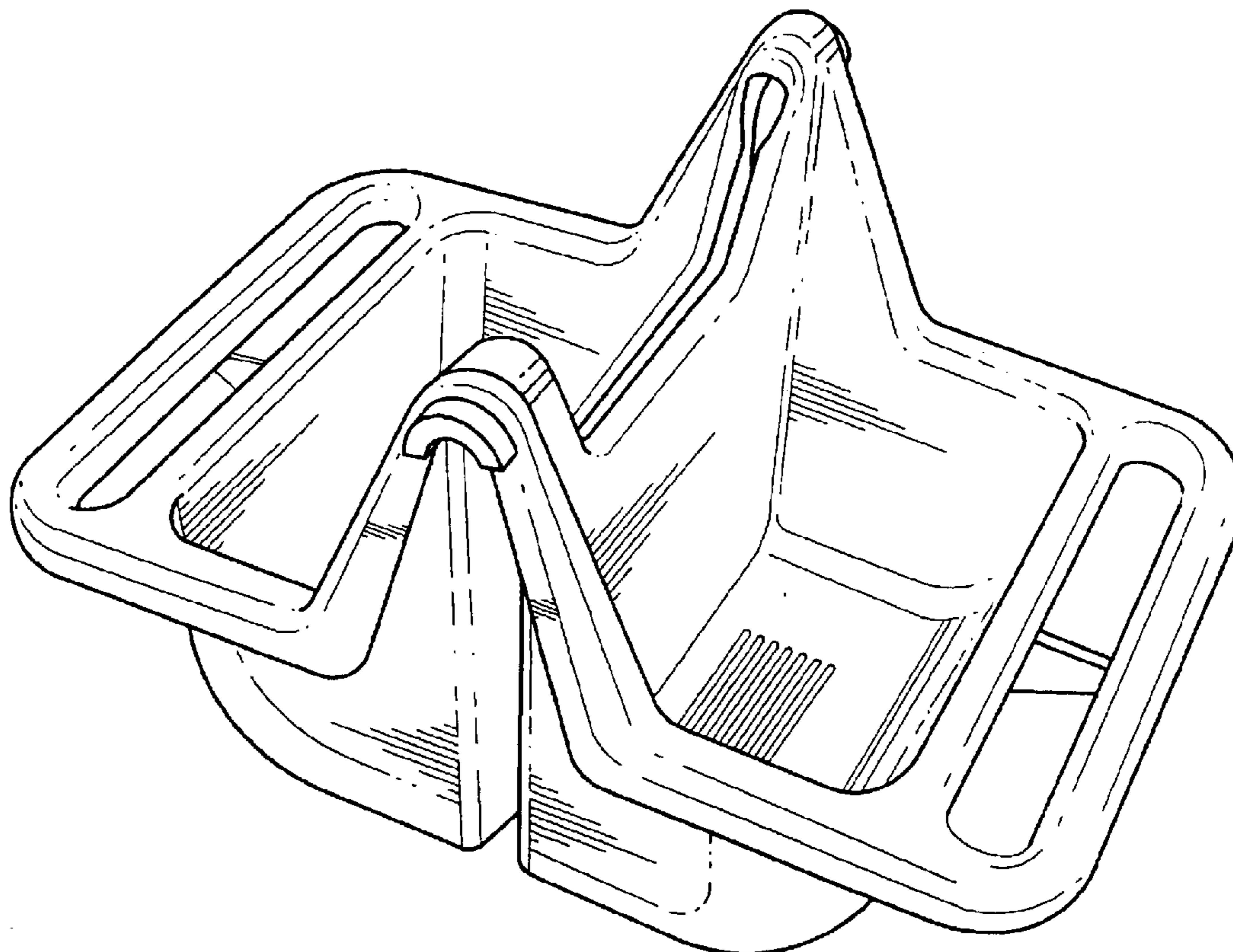
FIG. 1. Is a perspective view of our container;  
FIG. 2. Is a front view thereof with the back view being a  
mirror image thereof;  
FIG. 3. Is a right side elevational view of our container with  
the left side elevational view being a mirror image thereof;  
FIG. 4. Is a top view of the thereof; and,  
FIG. 5. Is a bottom view thereof.

(56) **References Cited**

**U.S. PATENT DOCUMENTS**

D236,075 S \* 7/1975 Golden ..... D32/53

**1 Claim, 2 Drawing Sheets**



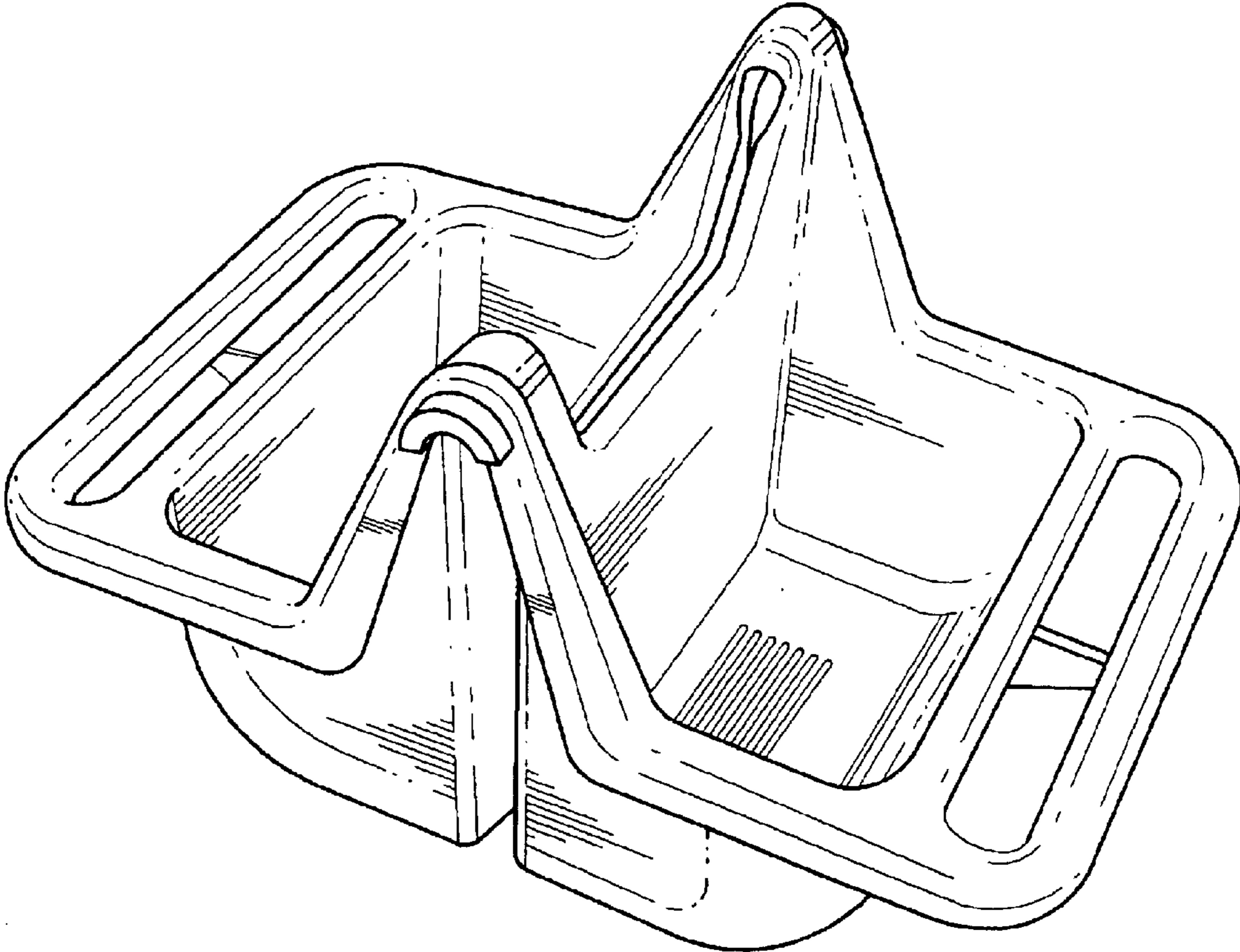


FIG. 1

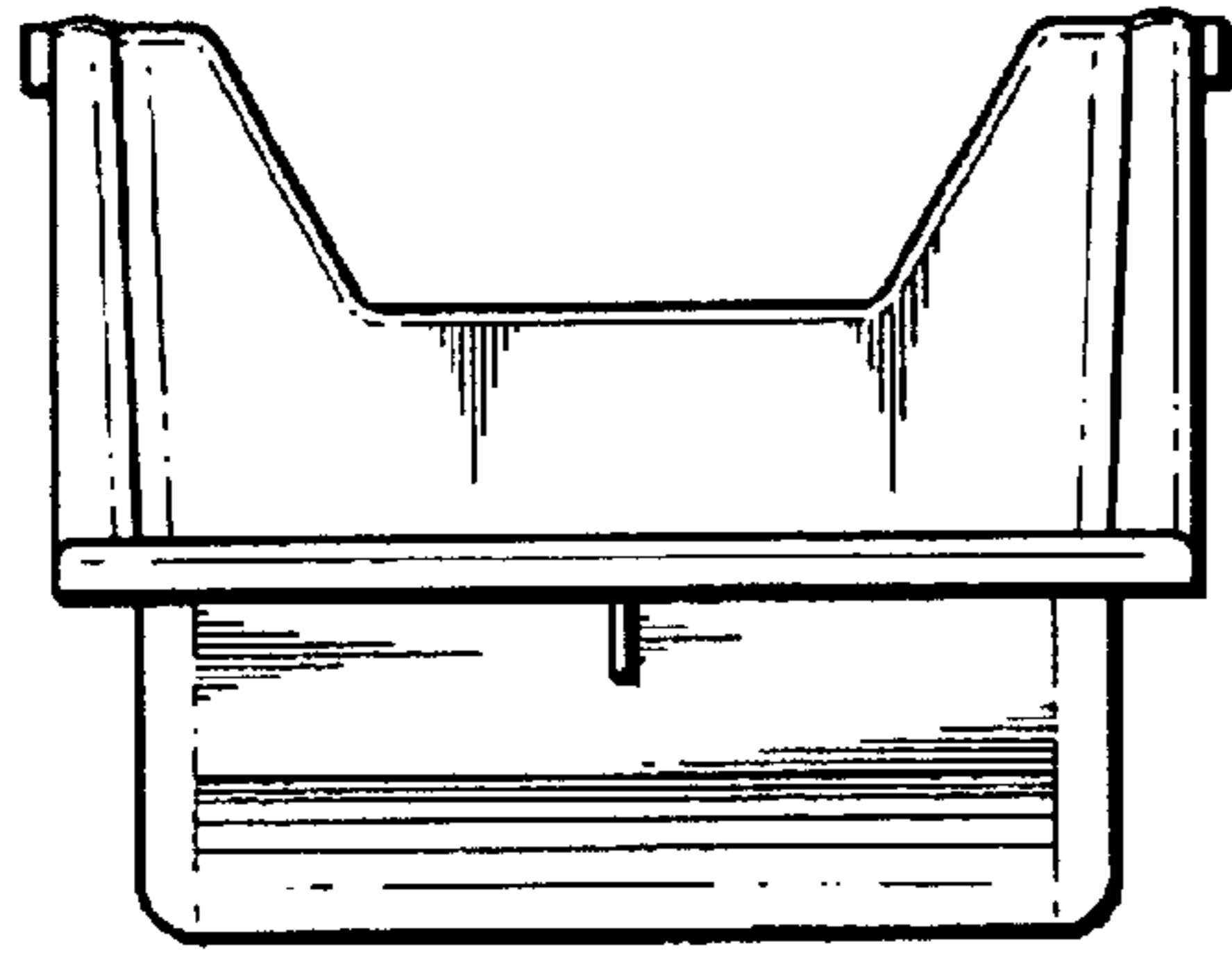


FIG. 2

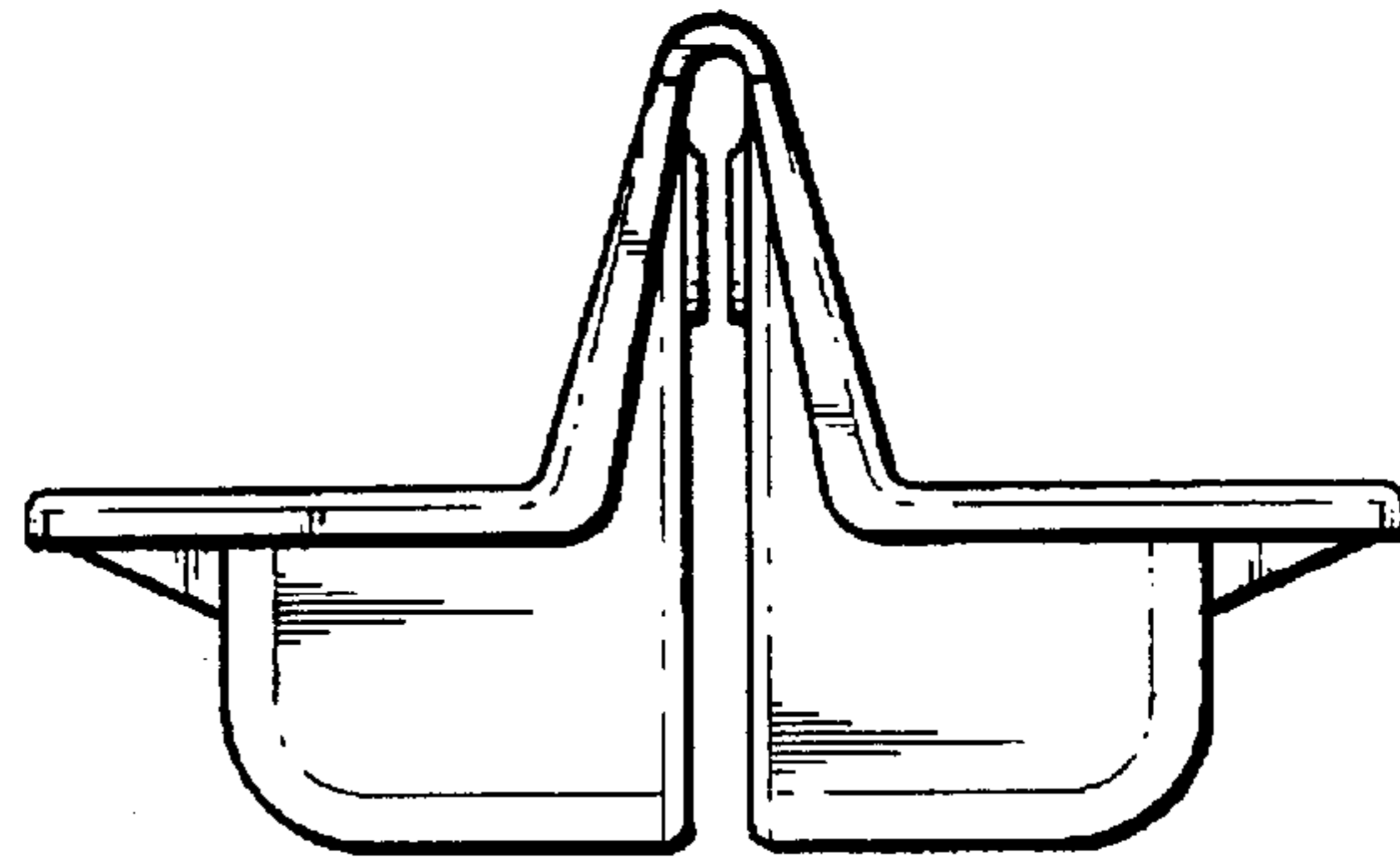


FIG. 3

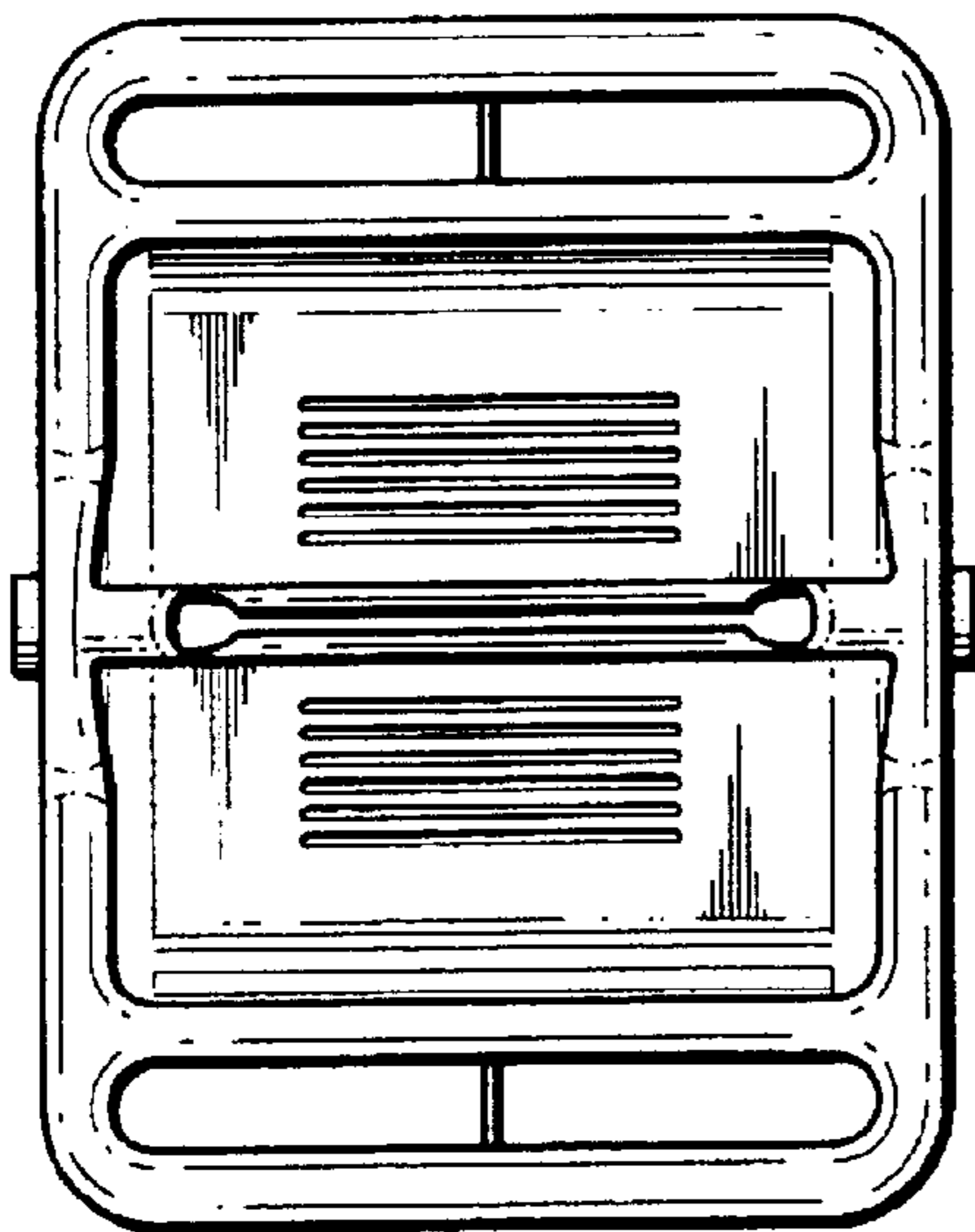


FIG. 4

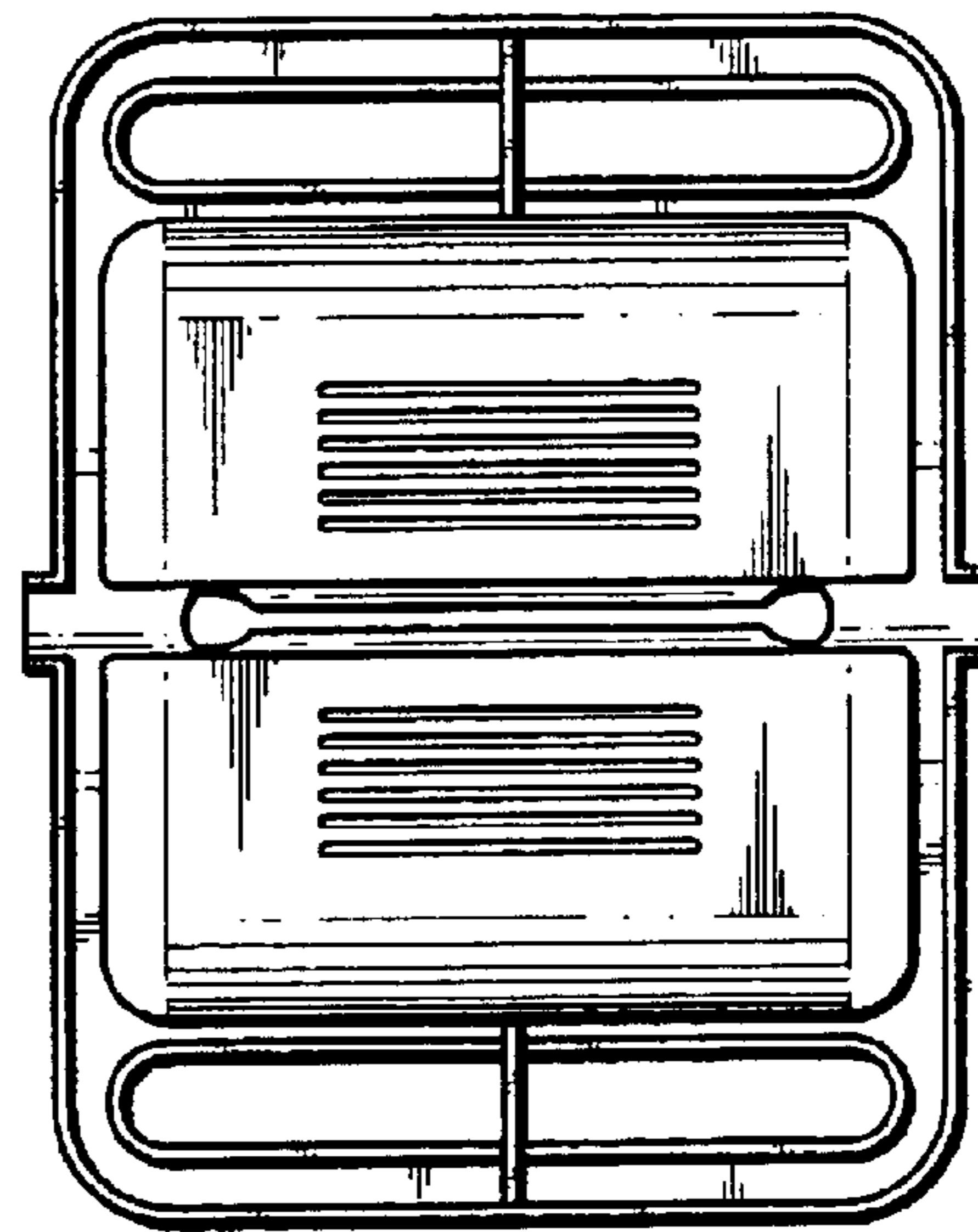


FIG. 5