

US00D492844S1

(12) **United States Design Patent** (10) **Patent No.:** **US D492,844 S**
Ramirez et al. (45) **Date of Patent:** **** Jul. 13, 2004**

(54) **PACKAGING CONTAINER**

(75) Inventors: **Richard L. Ramirez**, Lawrenceville, GA (US); **Mark A. Bergeron**, Lithonia, GA (US)

(73) Assignee: **Tekni-Plex, Inc.**, Somerville, NJ (US)

(**) Term: **14 Years**

(21) Appl. No.: **29/166,488**

(22) Filed: **Aug. 28, 2002**

(51) **LOC (7) Cl.** **03-01**

(52) **U.S. Cl.** **D3/304**

(58) **Field of Search** D3/304, 307, 309, D3/312; D7/601, 602, 550.1, 554.3, 554.4; D9/432, 424, 425, 429; 206/503-505, 511, 514, 515, 518, 557; 220/1.5, 660, 675, 669

(56) **References Cited**

U.S. PATENT DOCUMENTS

D251,480 S	*	4/1979	Cherry	D3/314
5,042,674 A	*	8/1991	Ramsay et al.	206/511
D360,808 S	*	8/1995	Meier et al.	D7/554.3
D363,662 S	*	10/1995	Plater	D3/304
D395,756 S	*	7/1998	Tanji	D3/312
D429,965 S	*	8/2000	Hayes et al.	D7/602
D446,719 S	*	8/2001	Garraway	D9/425
D467,128 S	*	12/2002	Thonis et al.	D7/602
D469,313 S	*	1/2003	Thonis et al.	D7/602

* cited by examiner

Primary Examiner—Louis S. Zarfes

Assistant Examiner—Deanne Levy

(74) *Attorney, Agent, or Firm*—Pitney, Hardin, Kipp & Szuch LLP

(57) **CLAIM**

The ornamental design for a packaging container, as shown and described.

DESCRIPTION

FIG. 1 is a top plan view of a packaging container according to a first embodiment of our new design;

FIG. 2 is a side elevational view thereof;

FIG. 3 is an end elevational view thereof;

FIG. 4 is a bottom plan view thereof;

FIG. 5 is a perspective view thereof;

FIG. 6 is a top plan view of a packaging container according to a second embodiment of our new design;

FIG. 7 is a side elevational view thereof;

FIG. 8 is an end elevational view thereof;

FIG. 9 is a bottom plan view thereof;

FIG. 10 is a perspective view thereof;

FIG. 11 is a top plan view of a packaging container according to a third embodiment of our new design;

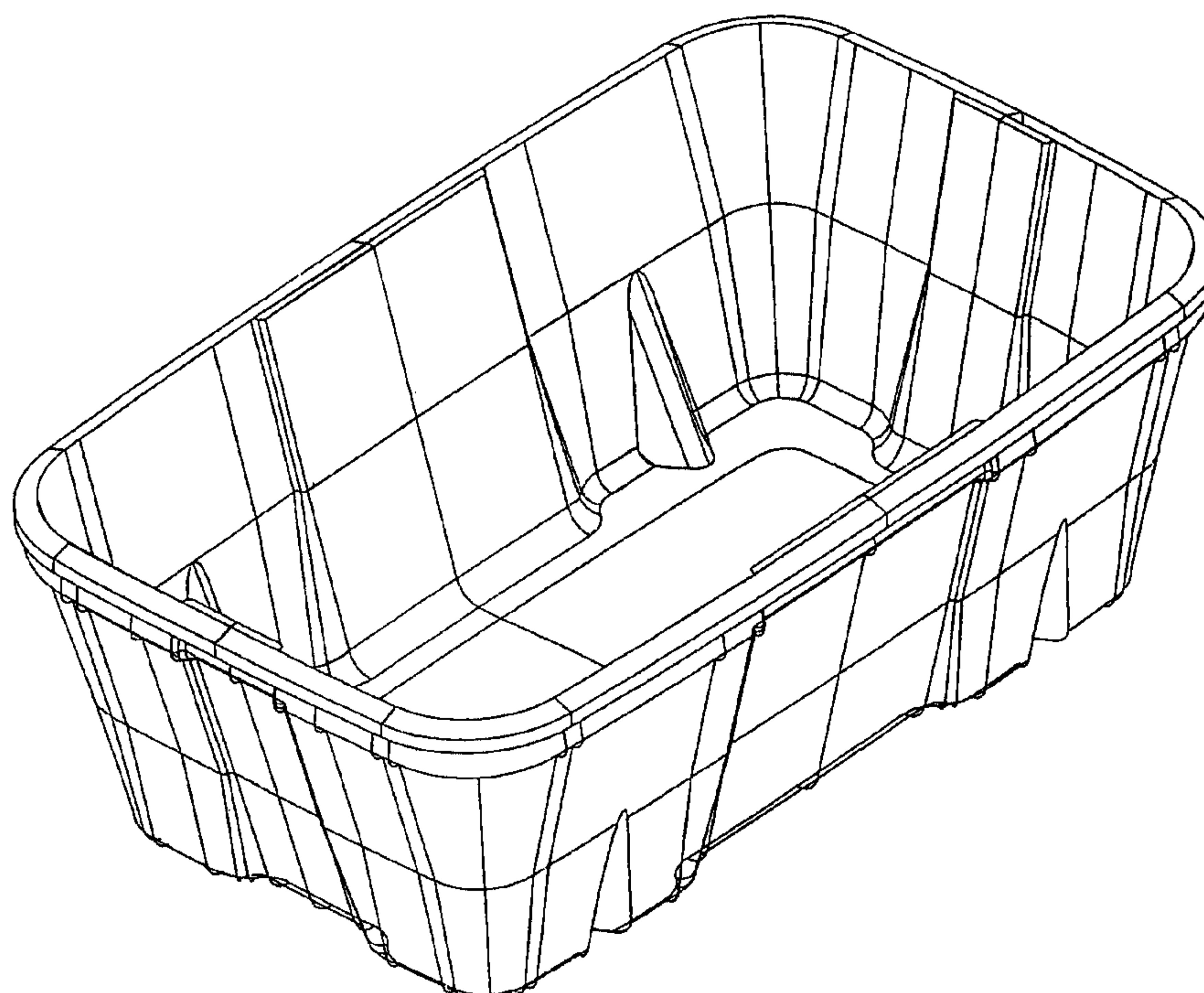
FIG. 12 is a side elevational view thereof;

FIG. 13 is an end elevational view thereof;

FIG. 14 is a bottom plan view thereof; and,

FIG. 15 is a perspective view thereof.

1 Claim, 15 Drawing Sheets



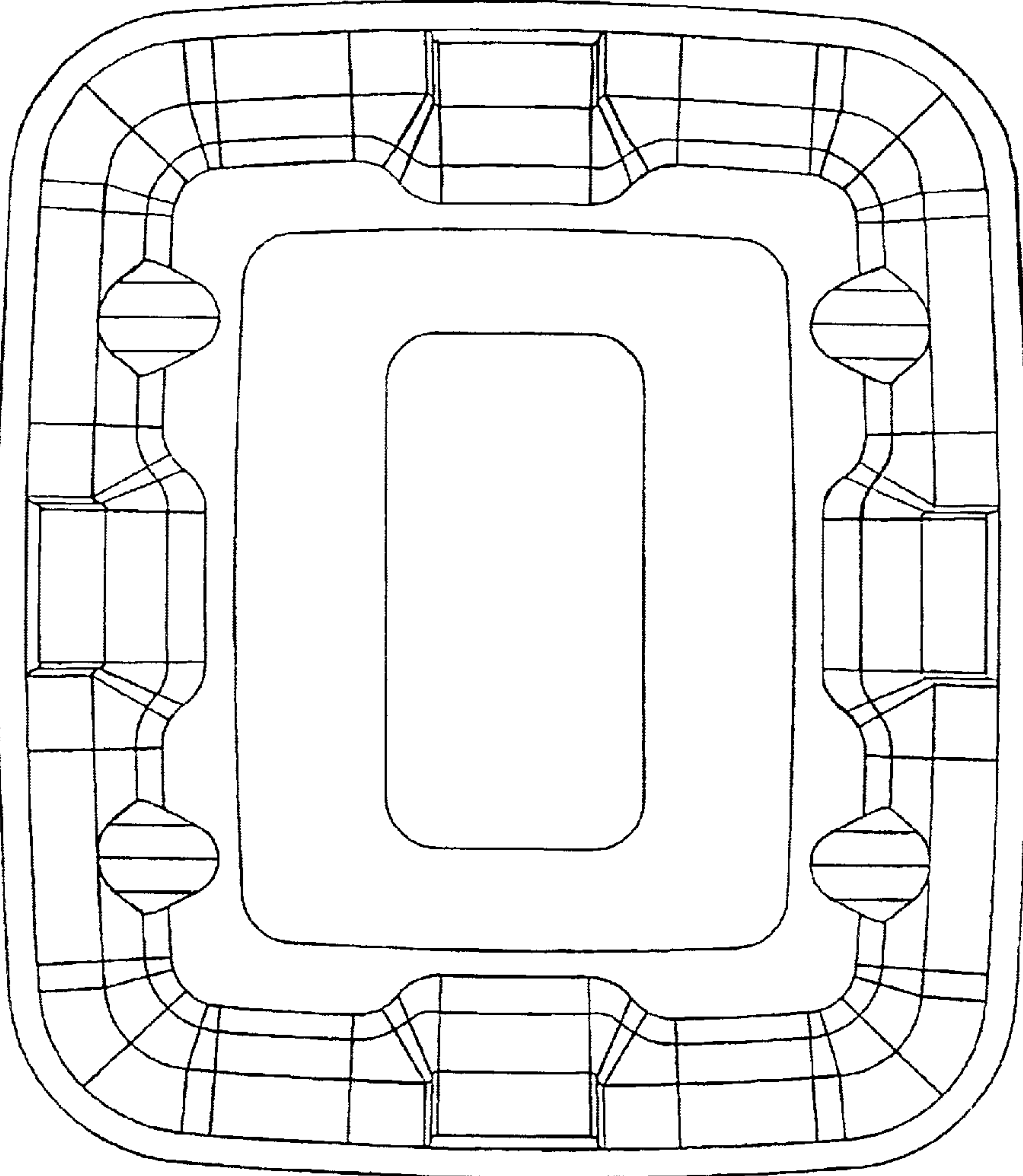


FIG. 1

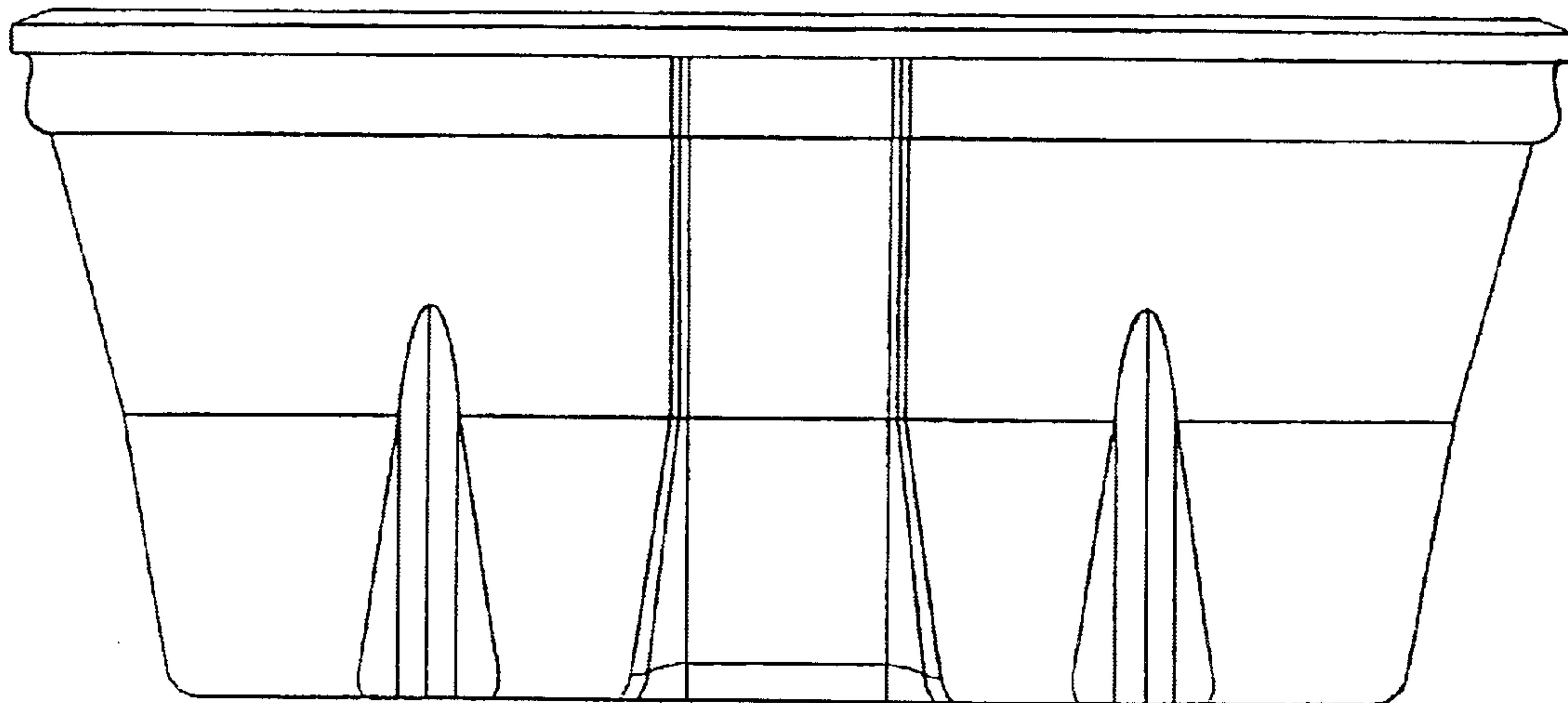


FIG. 2

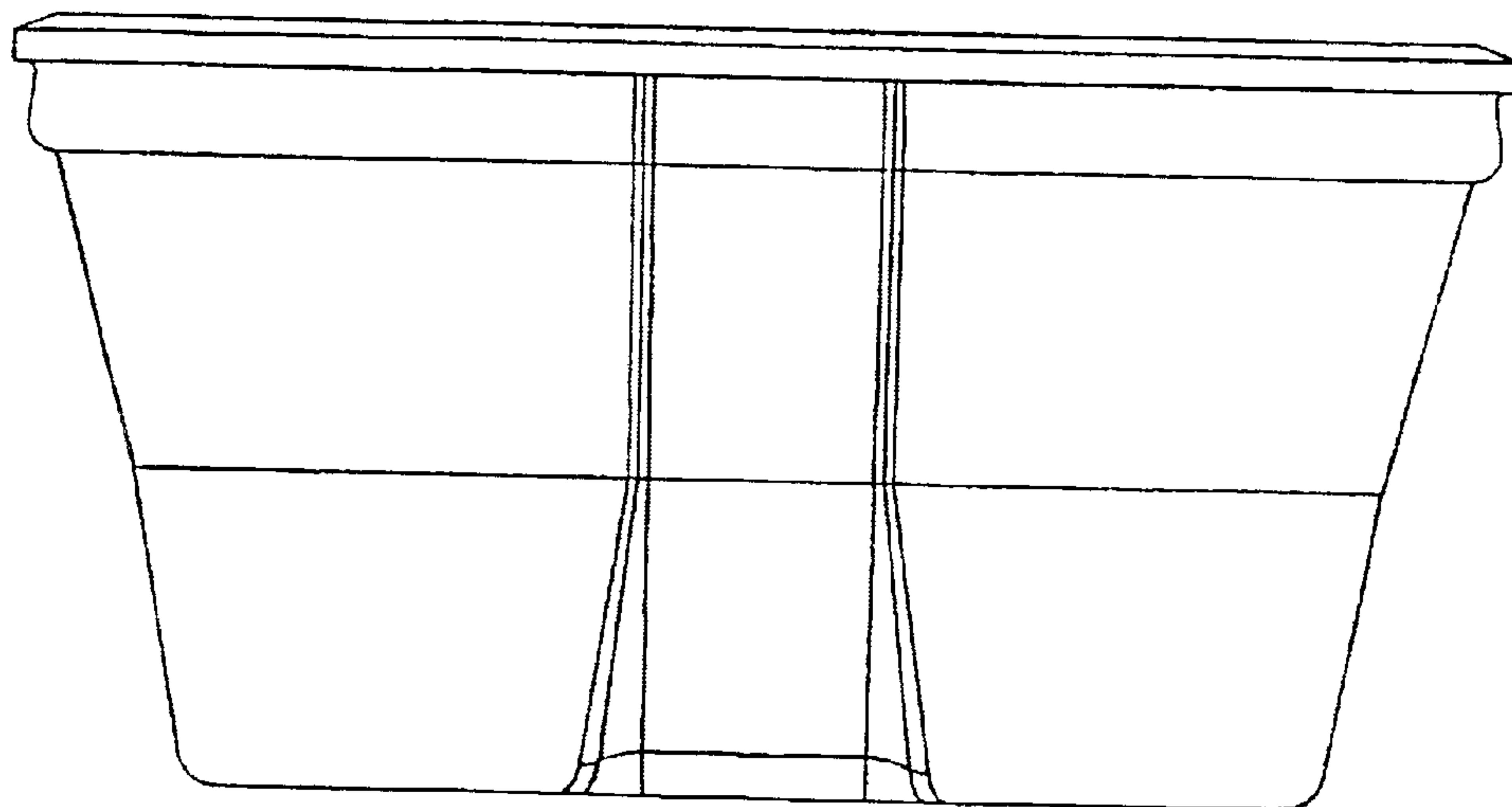


FIG. 3

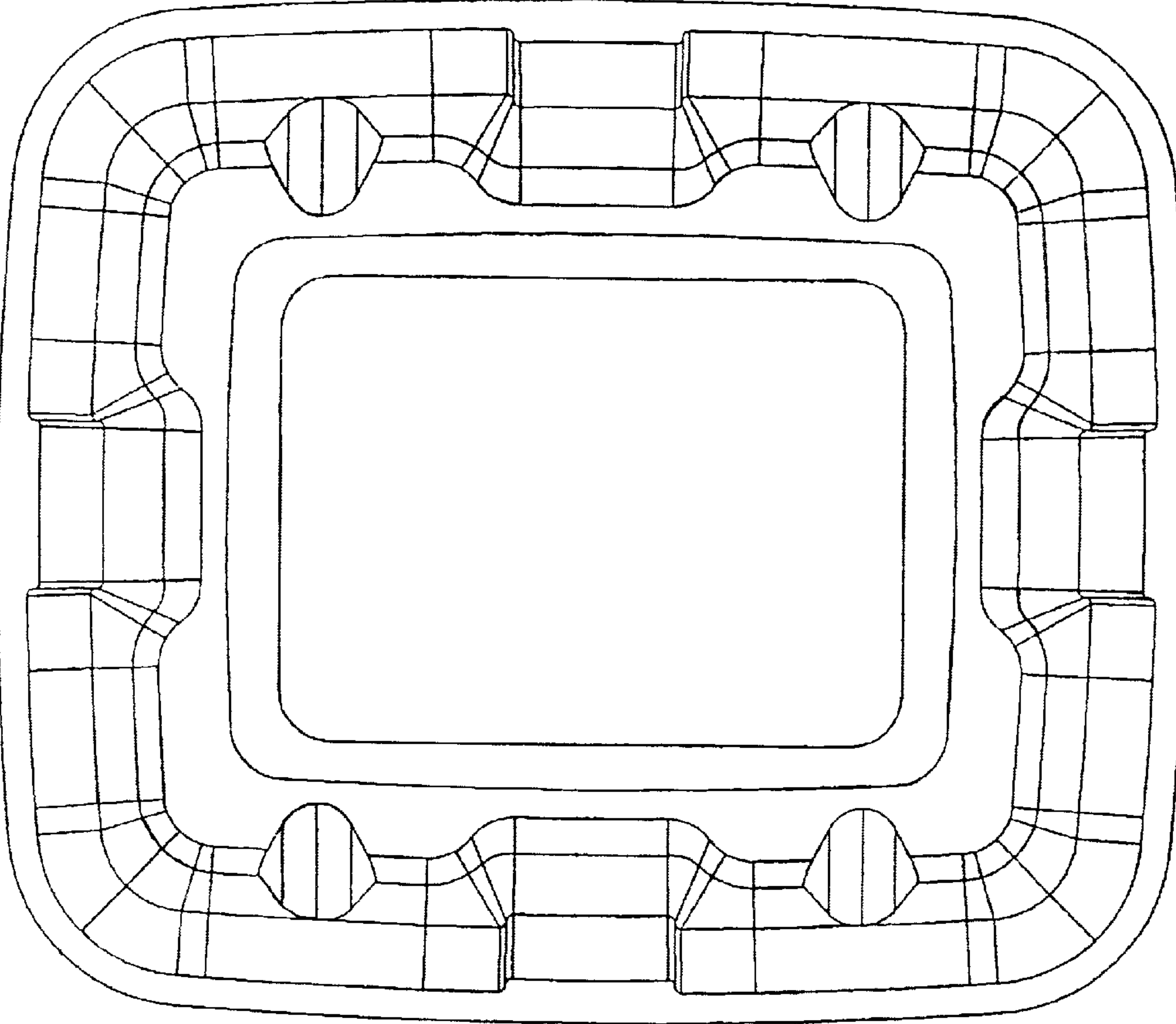


FIG. 4

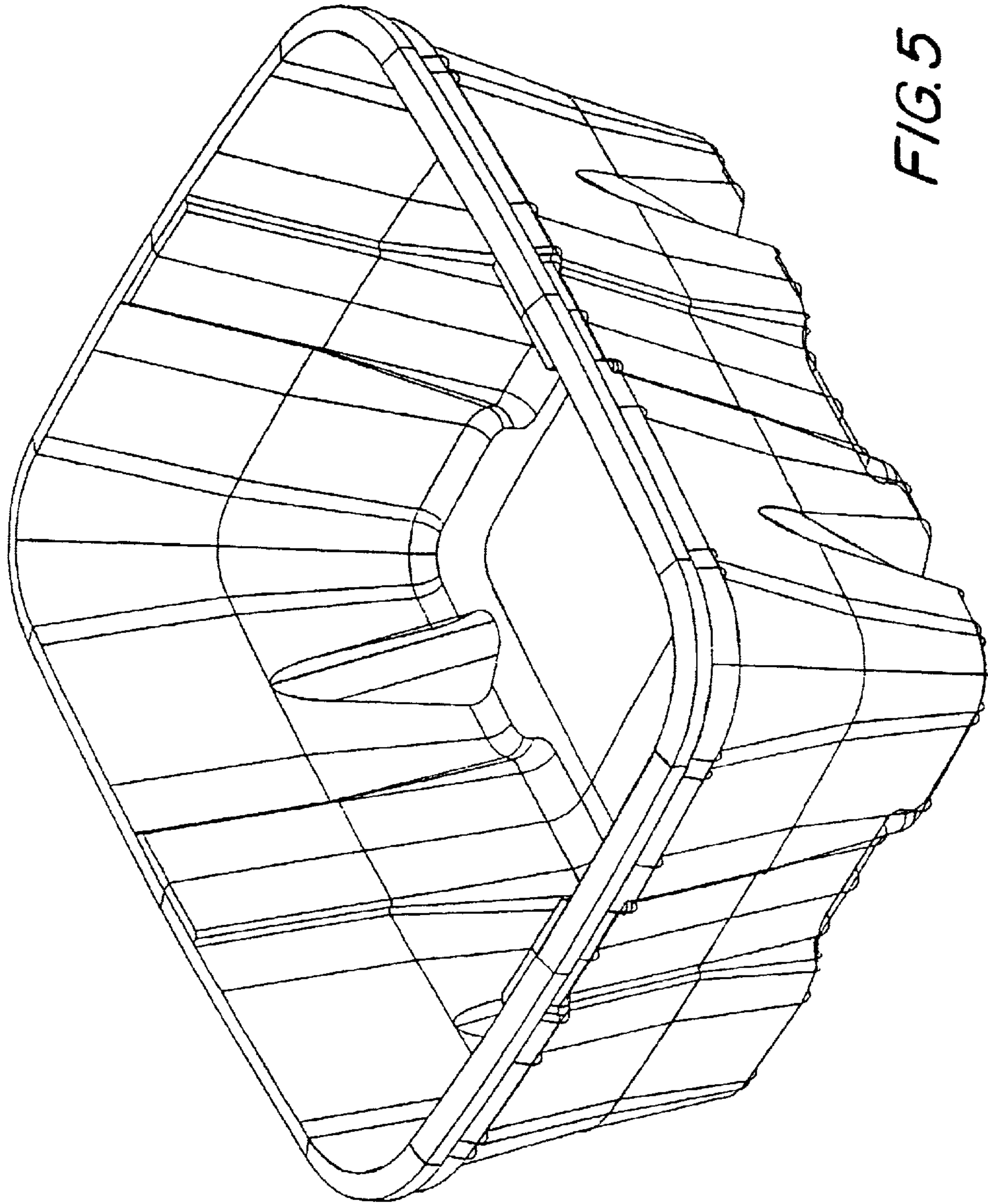


FIG. 5

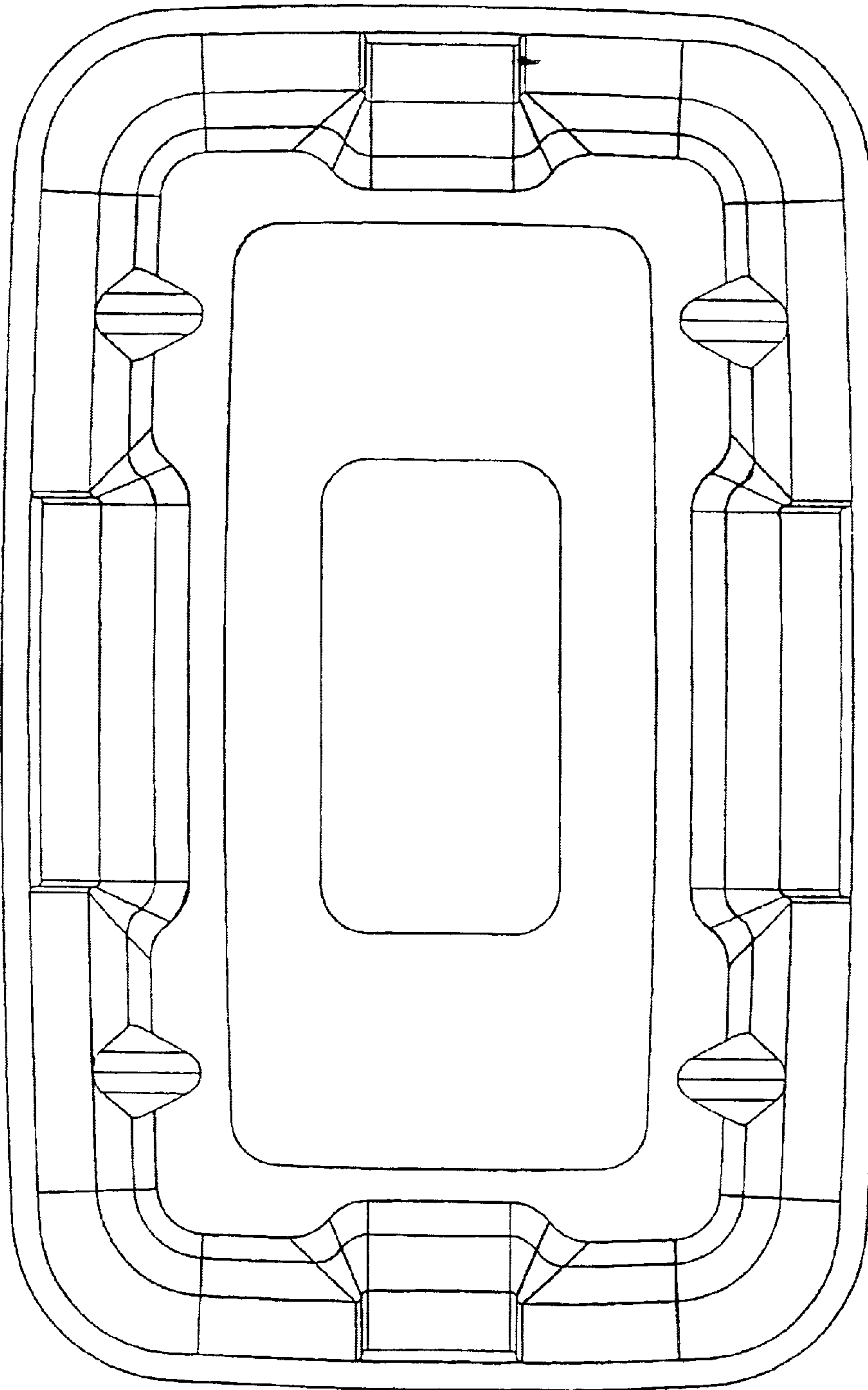


FIG. 6

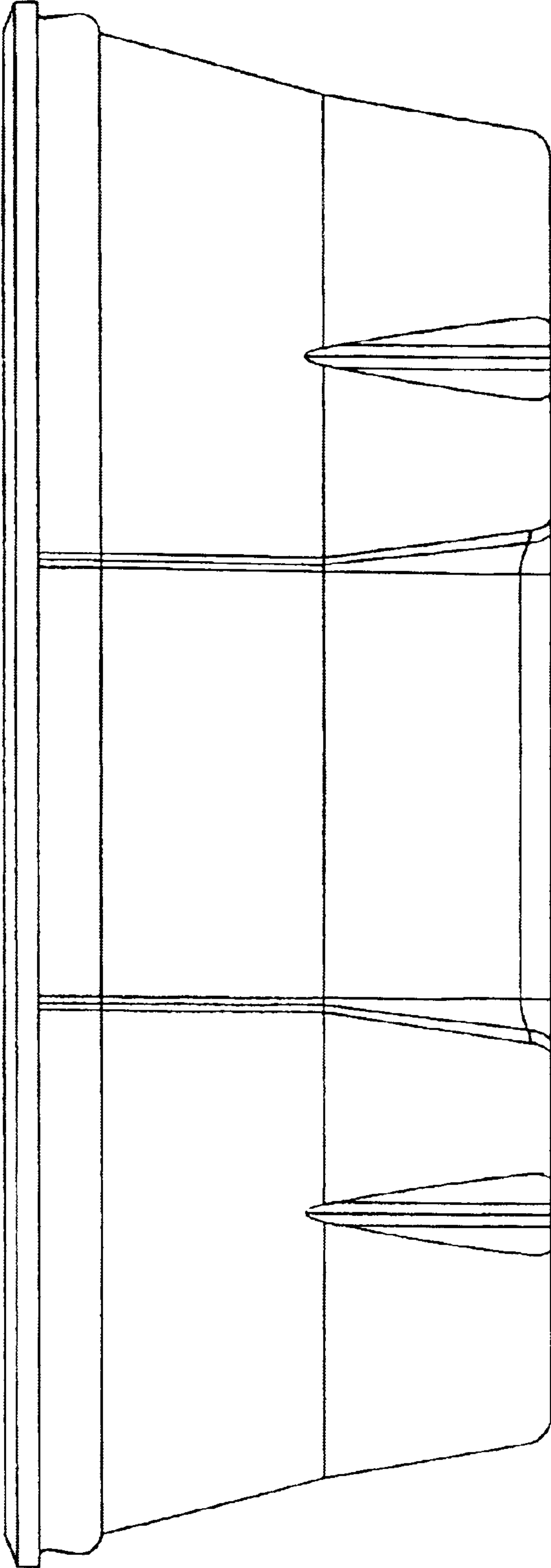


FIG. 7

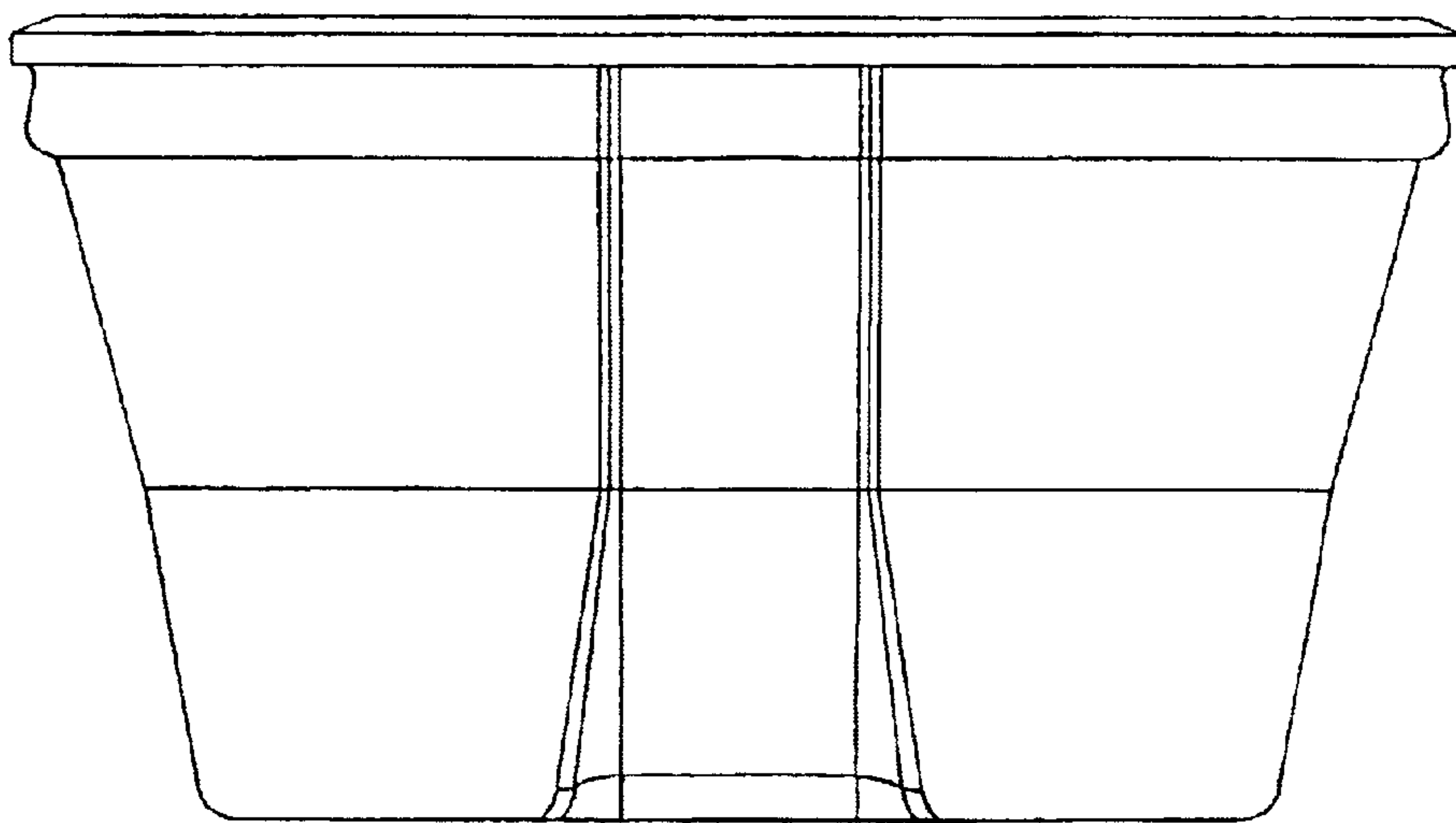


FIG. 8

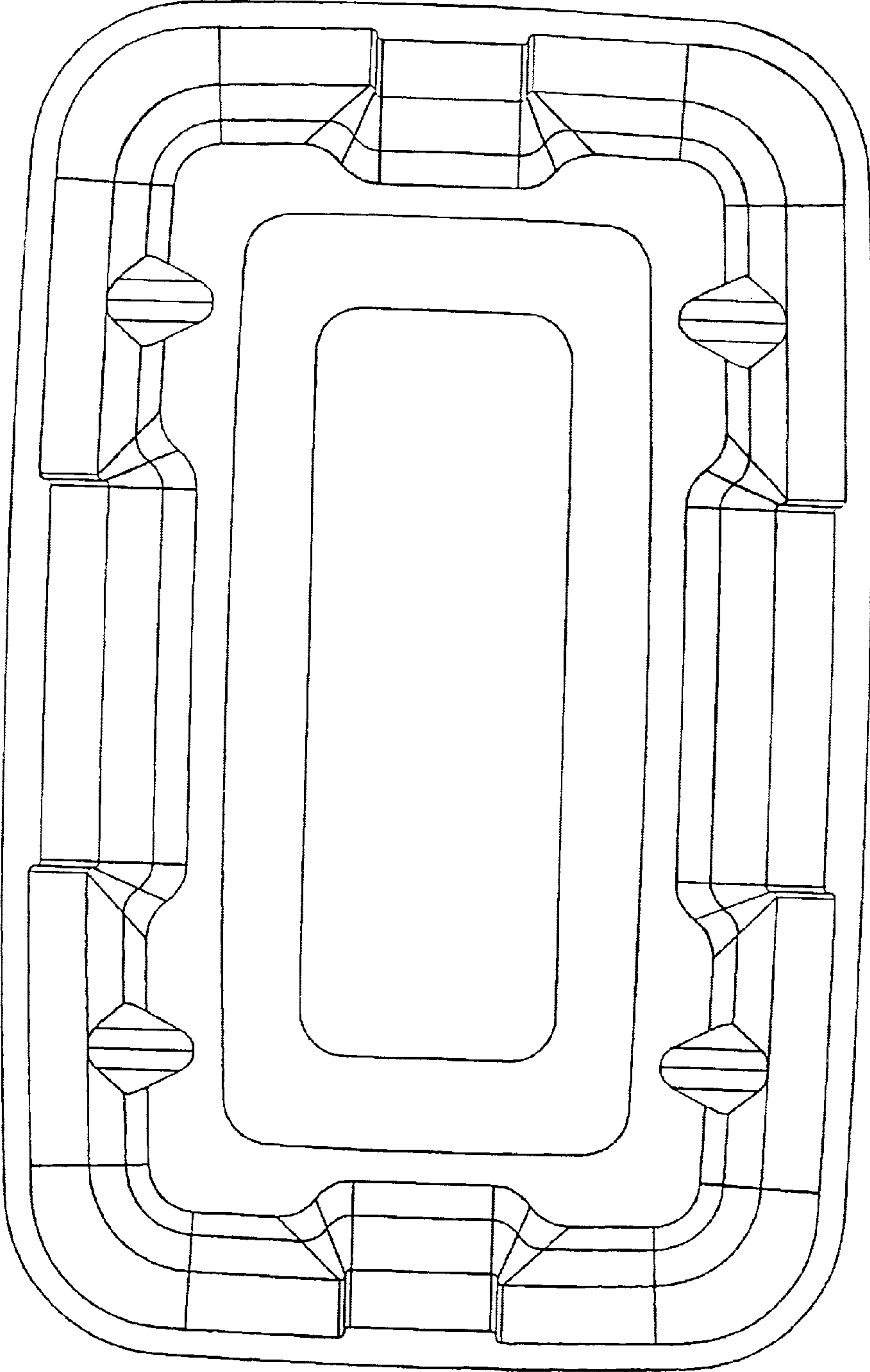


FIG. 9

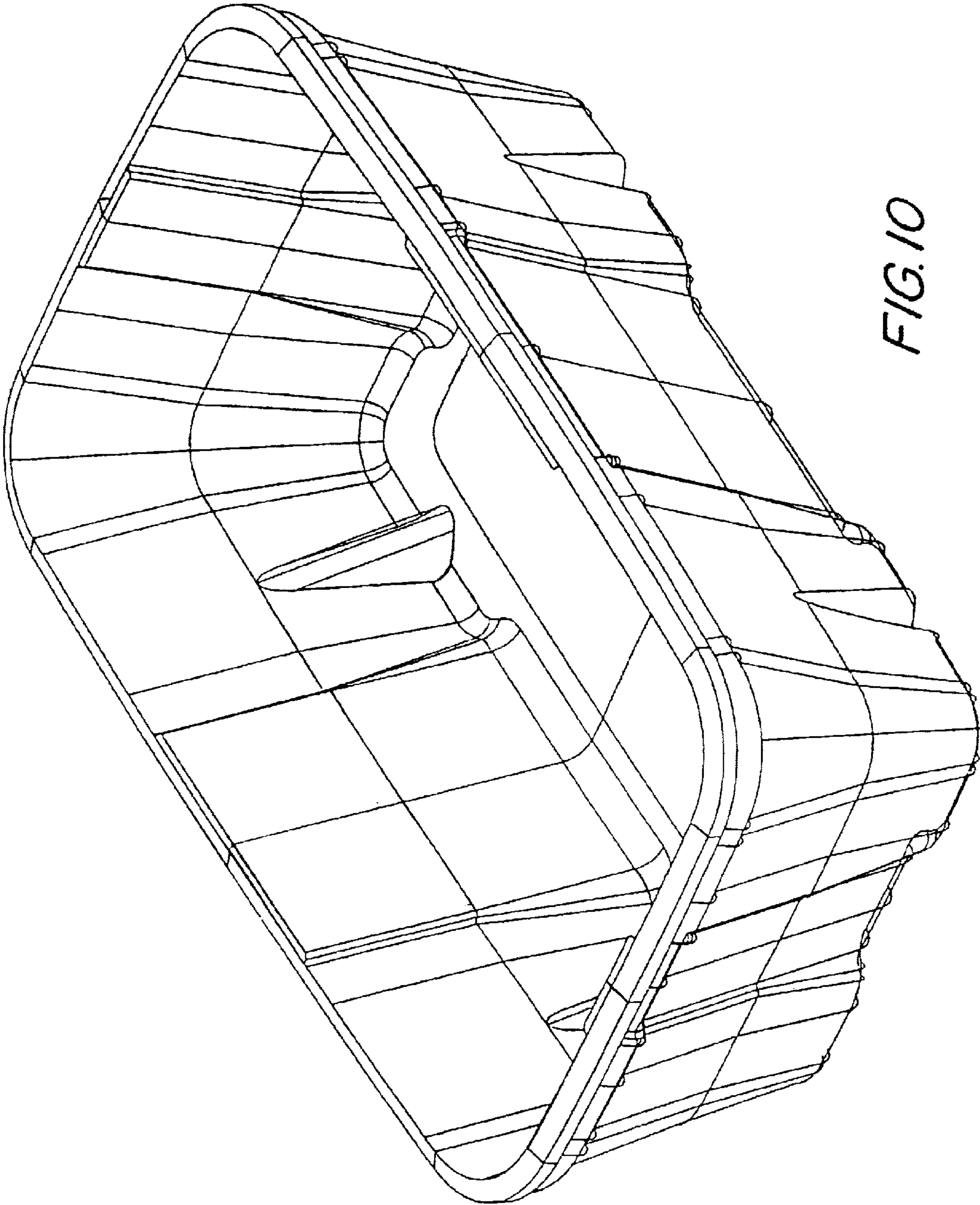


FIG. 10

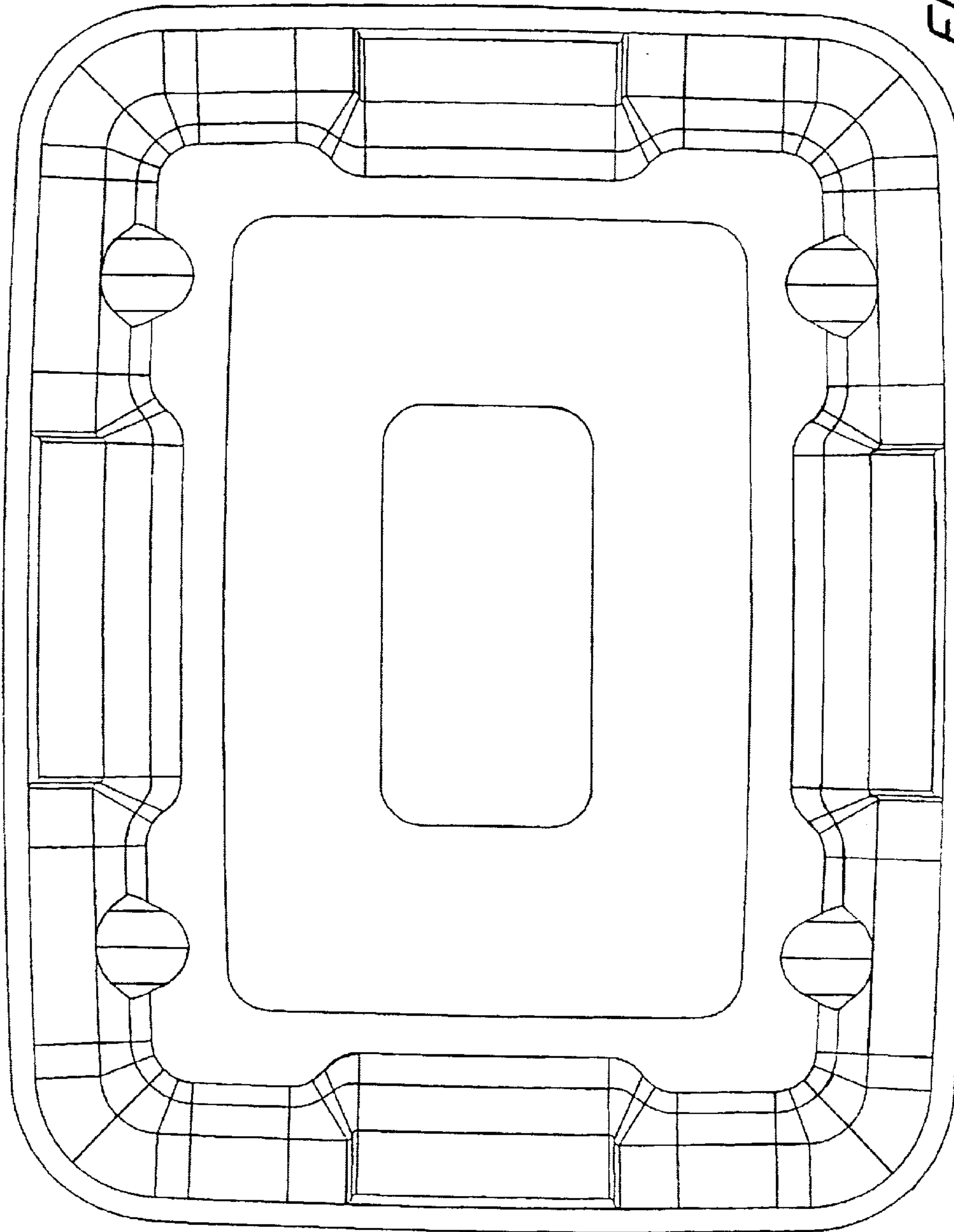


FIG. 11

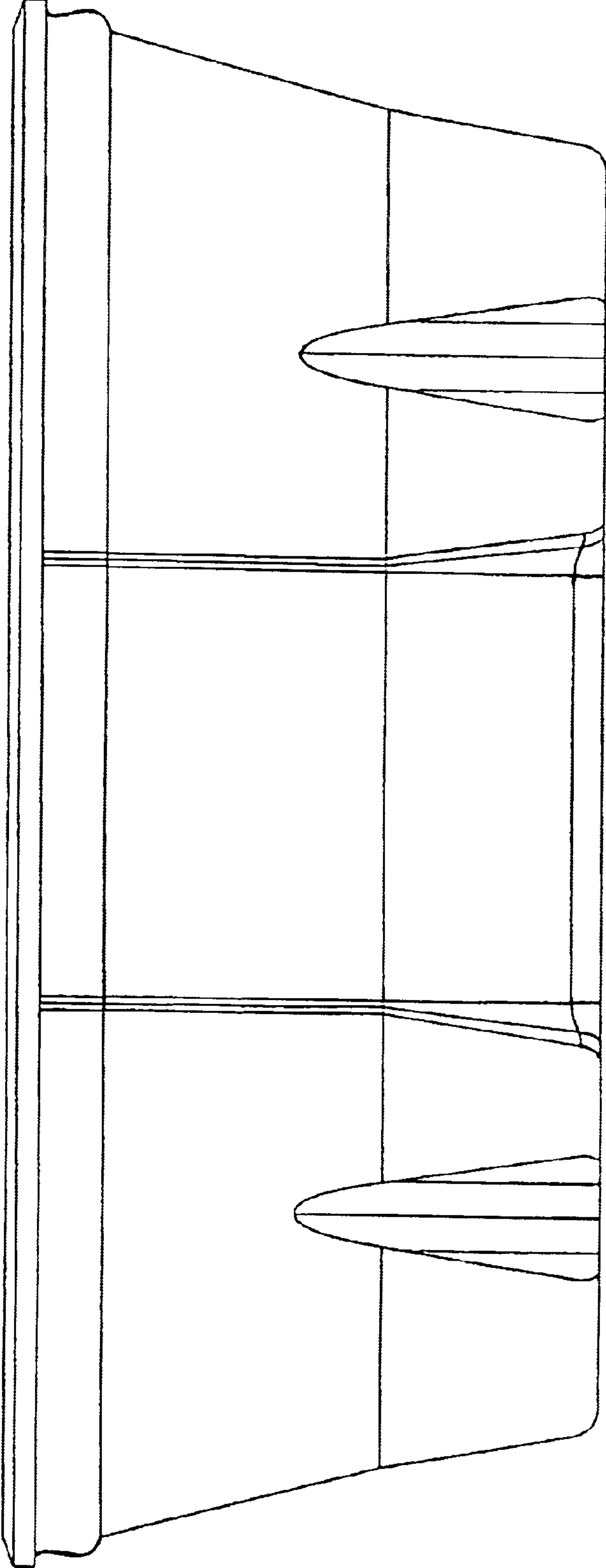


FIG. 12

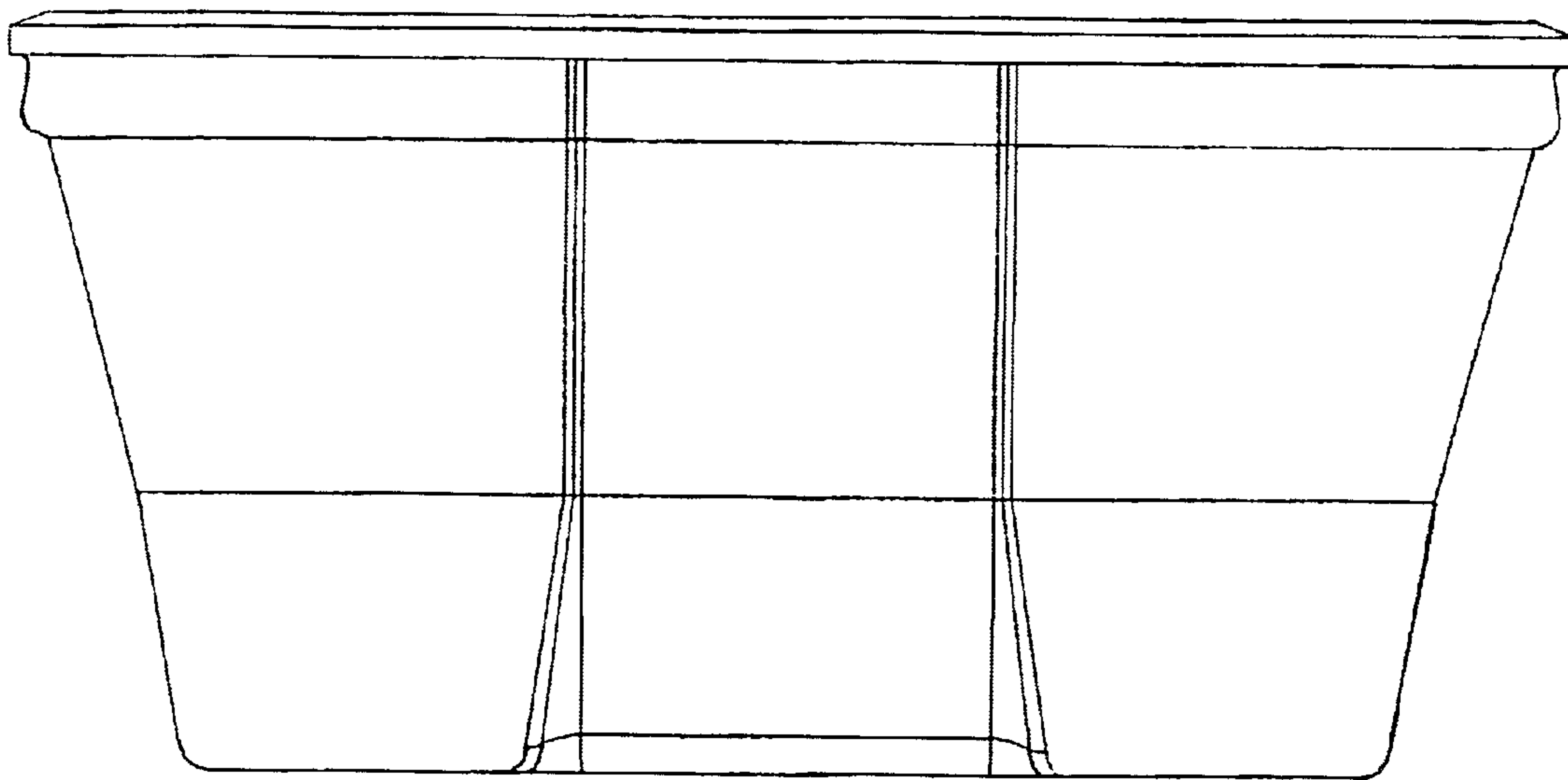


FIG. 13

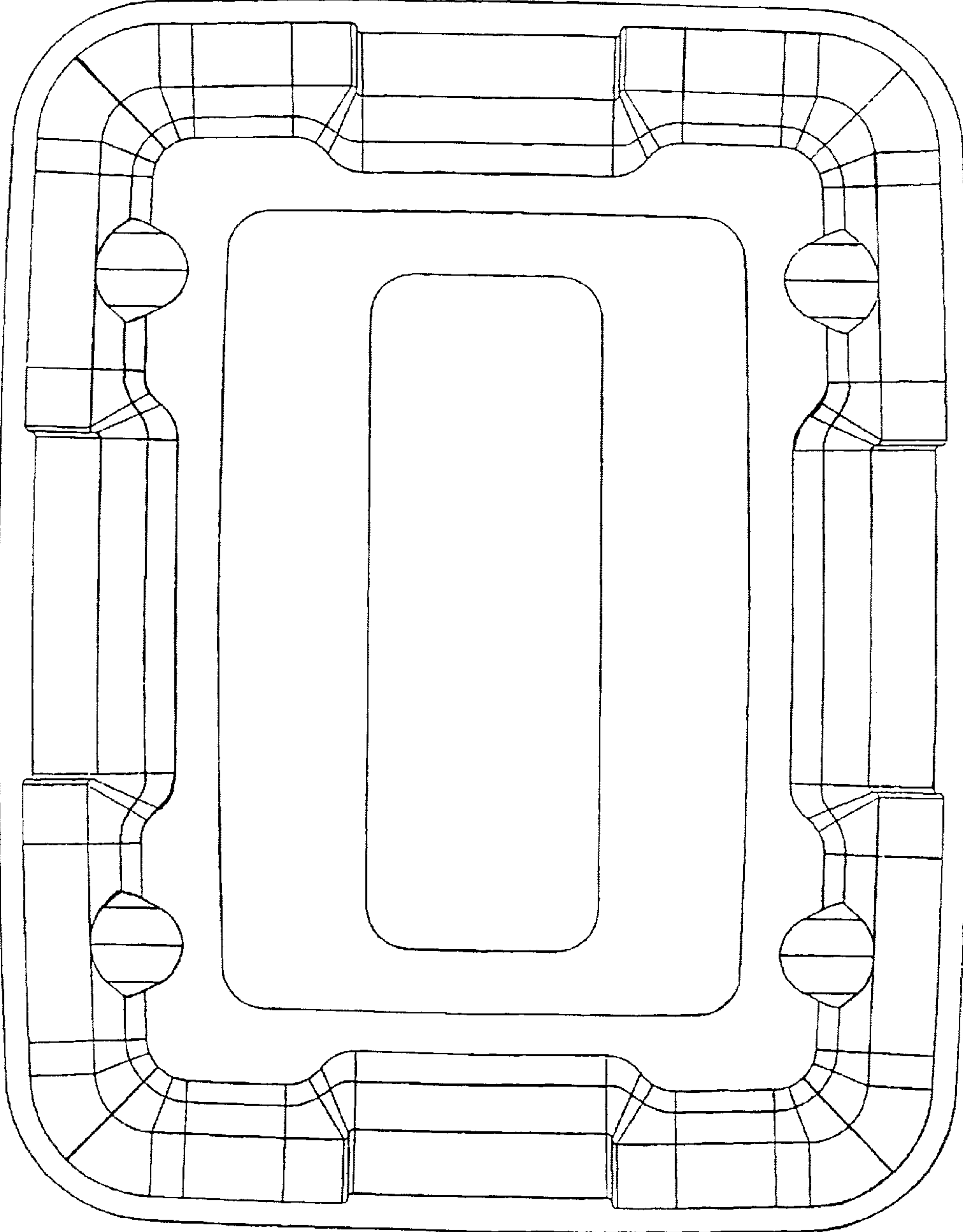


FIG. 14

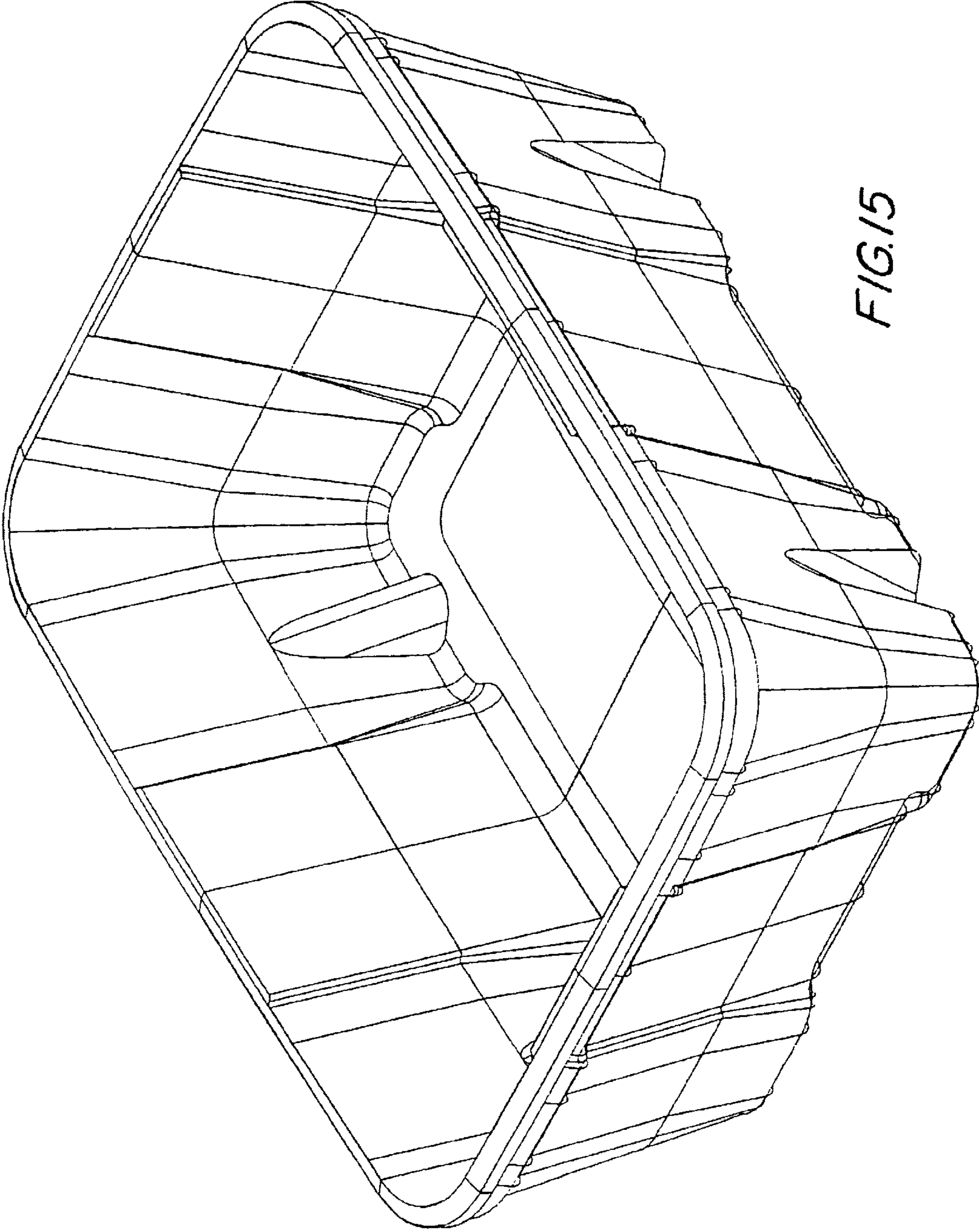


FIG.15