

US00D492842S1

(12) **United States Design Patent**  
**Hoogenbos et al.**

(10) **Patent No.:** **US D492,842 S**  
(45) **Date of Patent:** **\*\* Jul. 13, 2004**

(54) **CIGARETTE LIGHTER CLIP**  
(76) Inventors: **Hans Hoogenbos**, Sarphatipark 55 / II,  
1073 CS Amsterdam (NL); **Marishka**  
**Caroline Swane**, Leopoldstraat 2a,  
2920 Kalmthout (BE)

D402,400 S \* 12/1998 Pausinger ..... D27/161  
D436,223 S \* 1/2001 Pascanu et al. .... D27/161  
D471,316 S \* 3/2003 Budde ..... D27/161  
D478,723 S \* 8/2003 Blanton ..... D3/221

\* cited by examiner

(\*\*) Term: **14 Years**

*Primary Examiner*—Catherine R. Oliver  
(74) *Attorney, Agent, or Firm*—Collen IP; Donald J. Ranft

(21) Appl. No.: **29/175,247**

(57) **CLAIM**

(22) Filed: **Jan. 31, 2003**

The ornamental design for a cigarette lighter clip, as shown and described.

(51) **LOC (7) Cl.** ..... **03-01**

(52) **U.S. Cl.** ..... **D3/215**

(58) **Field of Search** ..... D27/161, 172,  
D27/193, 174, 173, 194; D3/215, 221;  
206/85, 86, 87, 88, 89

**DESCRIPTION**

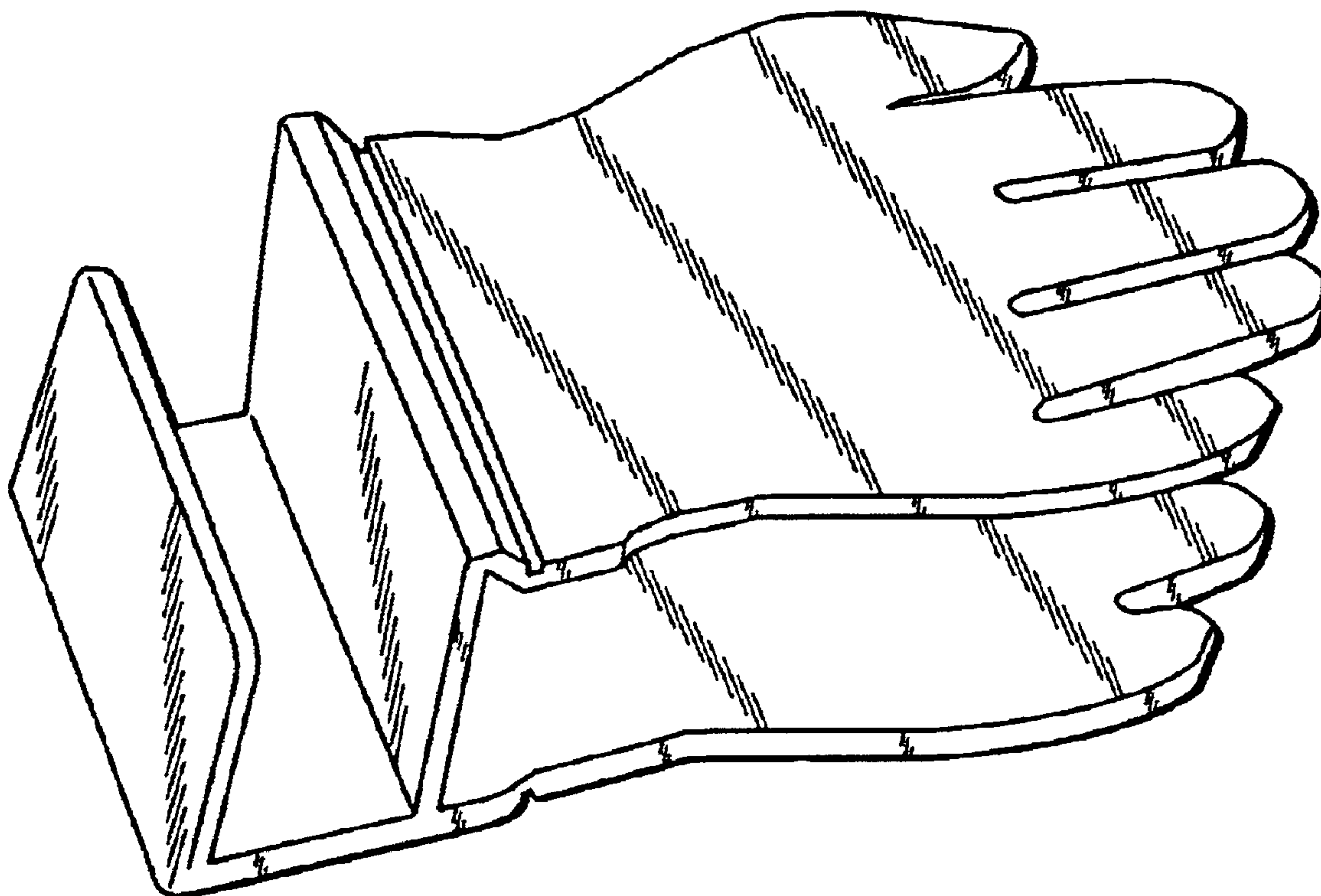
FIG. 1 is a front view of our ornamental design for a cigarette lighter clip;  
FIG. 2 is a back view thereof;  
FIG. 3 is a top view thereof;  
FIG. 4 is a bottom view thereof;  
FIG. 5 is a left view thereof;  
FIG. 6 is a right view thereof; and,  
FIG. 7 is a perspective view thereof.

(56) **References Cited**

**U.S. PATENT DOCUMENTS**

D261,775 S \* 11/1981 Valigura ..... D27/161  
4,727,890 A \* 3/1988 Vincent ..... D27/172  
D303,159 S \* 8/1989 Heath ..... D27/172

**1 Claim, 4 Drawing Sheets**



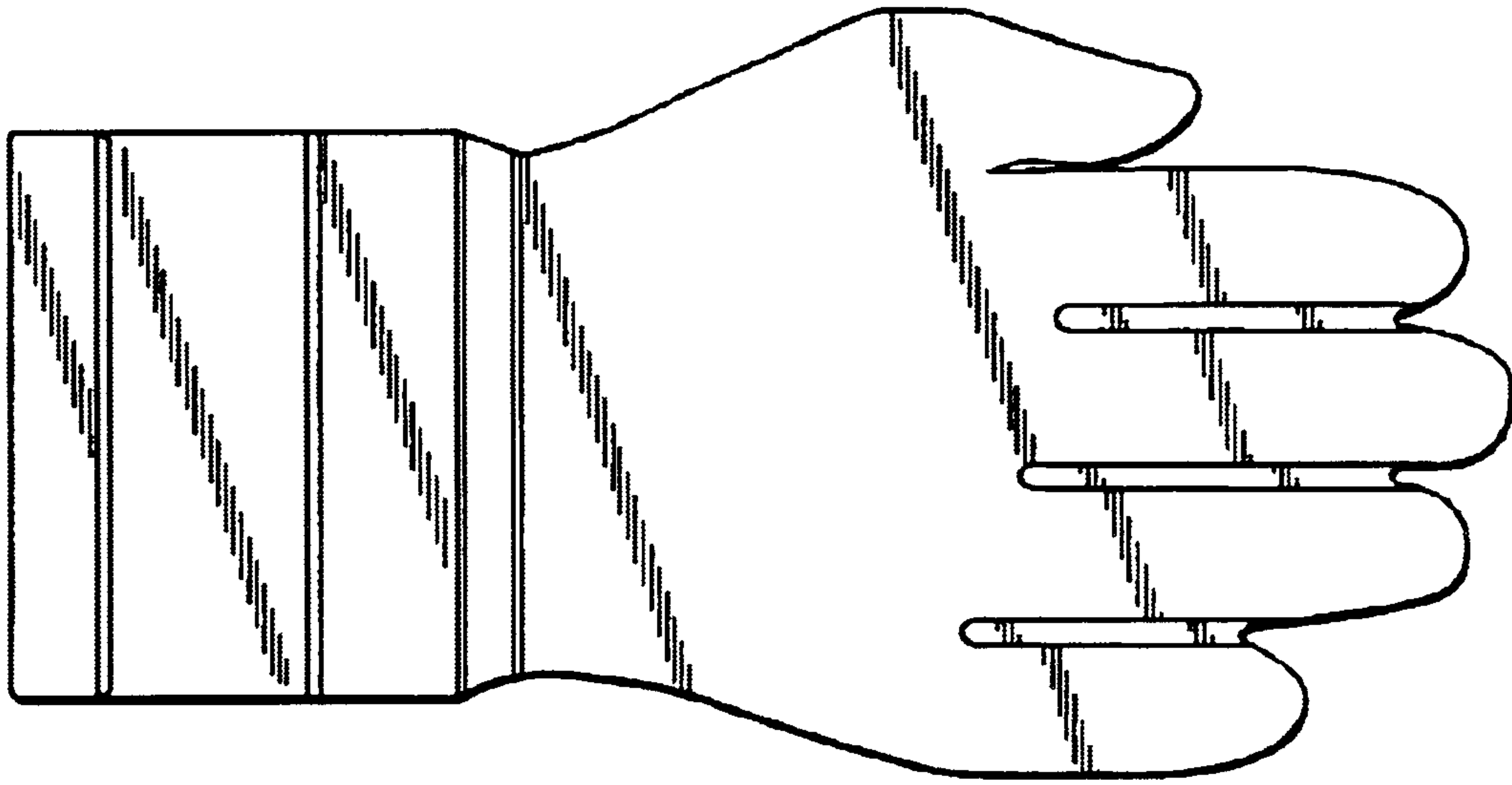


Fig. 1

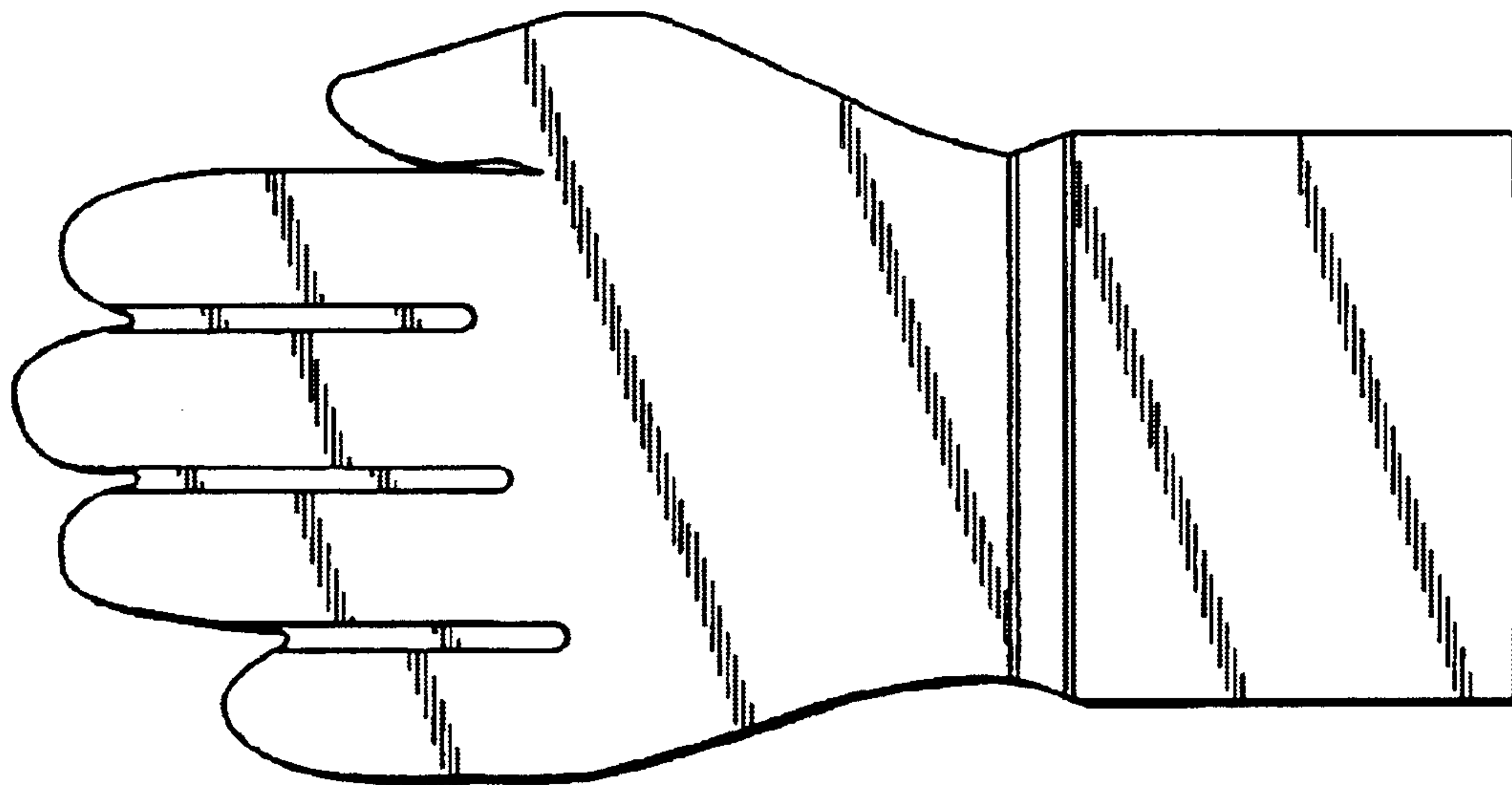


Fig. 2

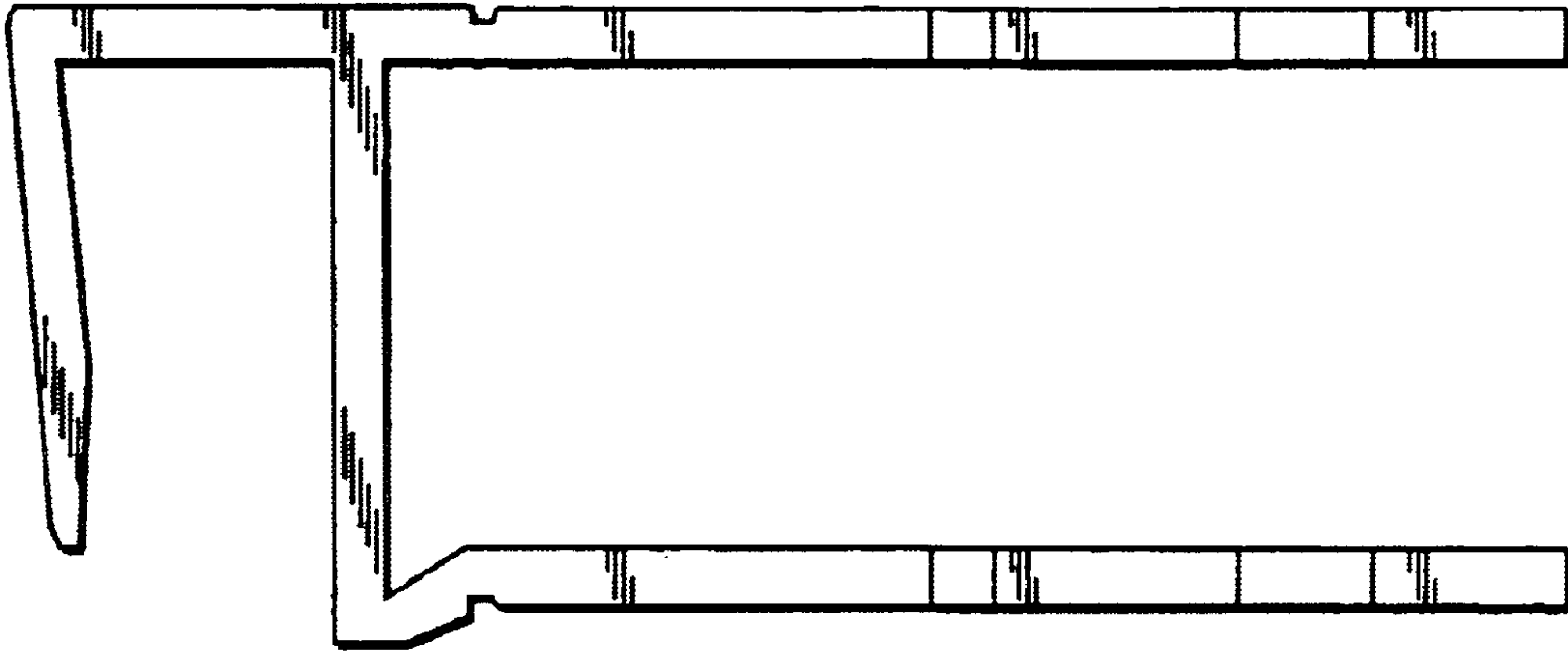


Fig. 3

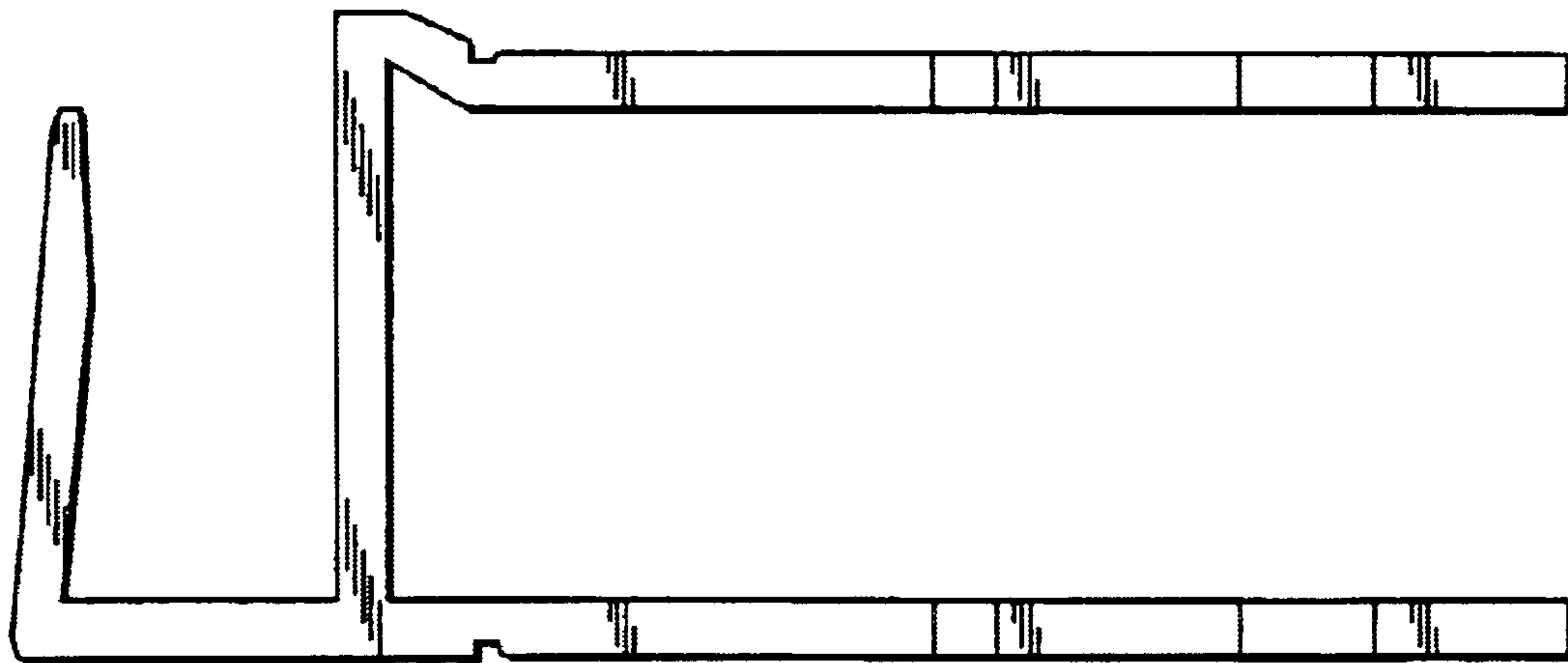


Fig. 4

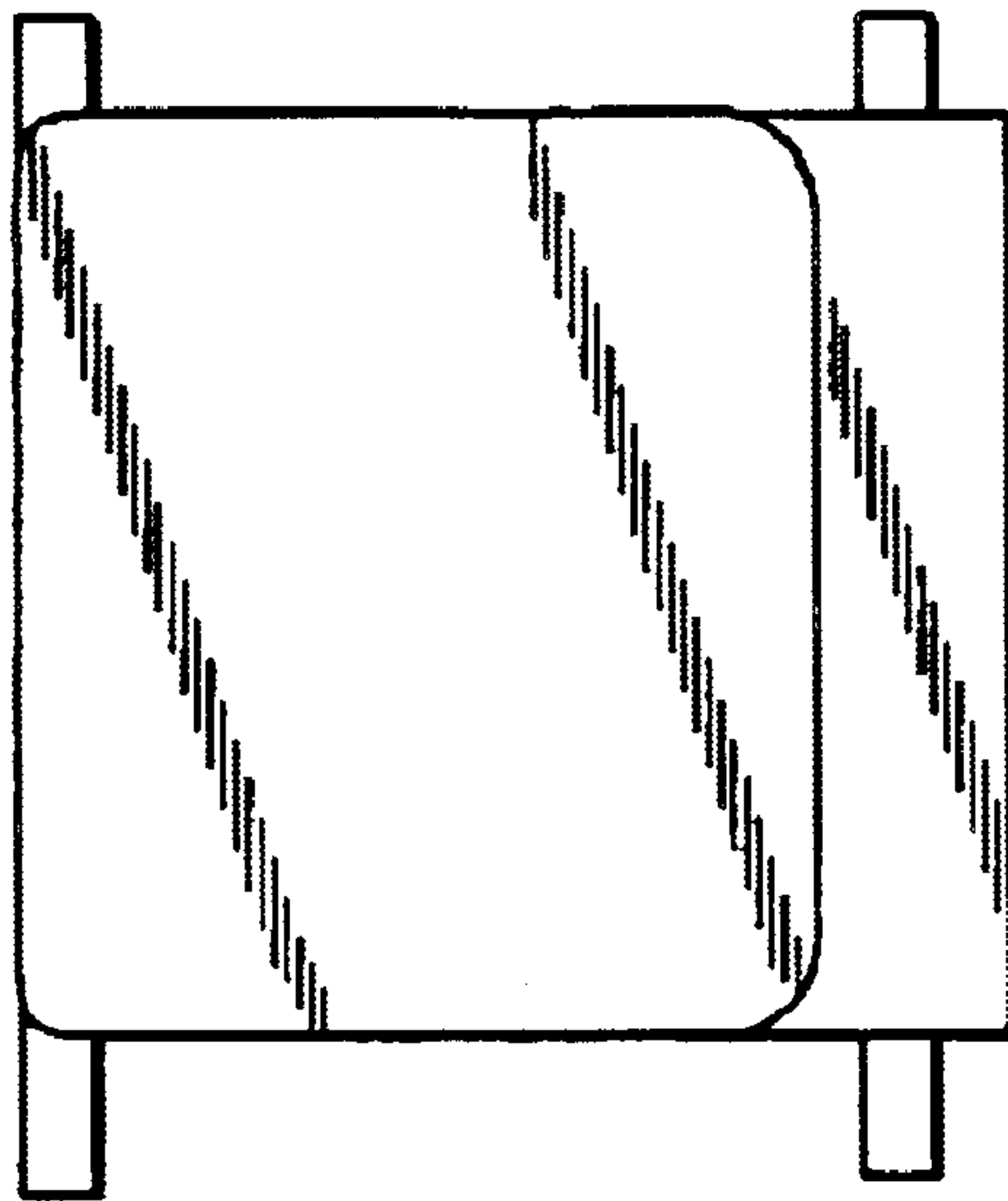


Fig. 5

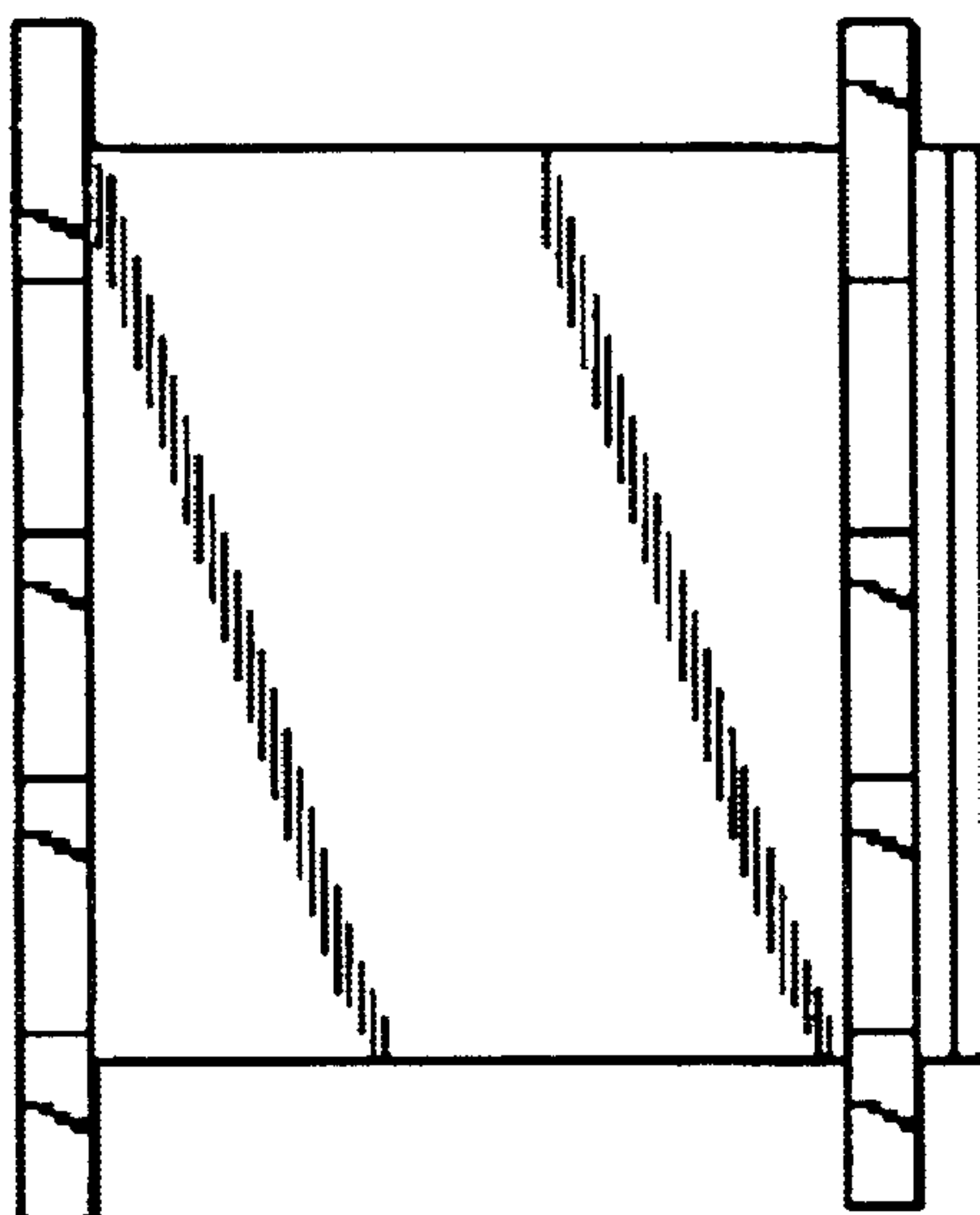


Fig. 6

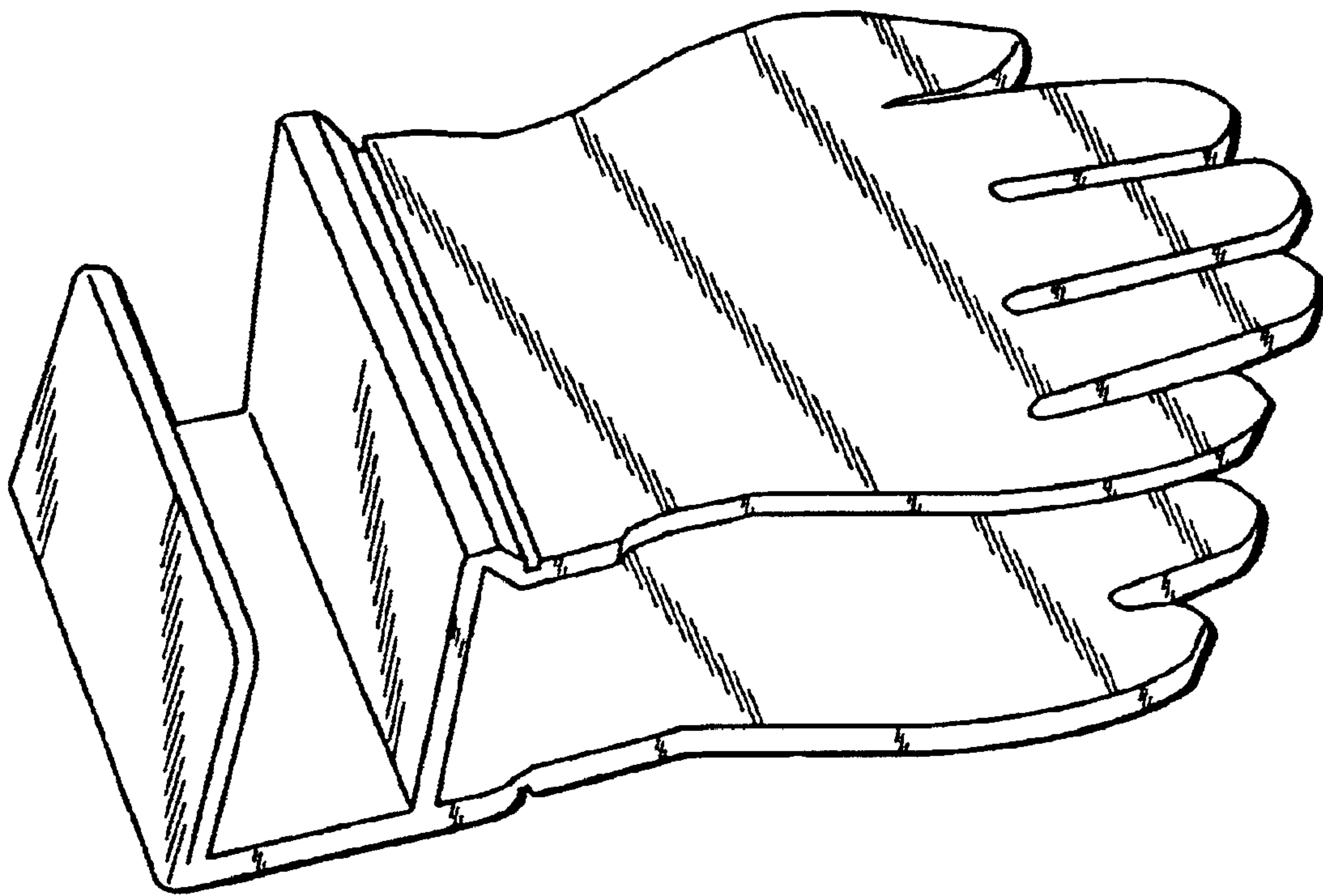


Fig. 7