

US00D492836S1

(12) **United States Design Patent**
Lawrenson

(10) **Patent No.:** **US D492,836 S**
(45) **Date of Patent:** **** Jul. 13, 2004**

(54) **ANIMAL CHEW**

(75) **Inventor:** **Paul Lawrenson, West Yorkshire (GB)**

(73) **Assignee:** **Kal Kan Foods, Inc., Vernon, CA (US)**

(**) **Term:** **14 Years**

(21) **Appl. No.:** **29/163,319**

(22) **Filed:** **Jul. 2, 2002**

(30) **Foreign Application Priority Data**

Jan. 7, 2002 (GB) 3000501

(51) **LOC (7) Cl.** **01-01**

(52) **U.S. Cl.** **D1/199; D1/106; D1/126;**
D30/160; D25/120

(58) **Field of Search** **D30/160; 119/702,**
119/707-711; D24/101, 102, 211-212;
D1/100-101, 106, 126-128, 199; 601/118-121,
139; D21/662, 684; 424/467, 442; 426/104,
138; D28/8.1, 8.2; D25/119, 120

(56) **References Cited**

U.S. PATENT DOCUMENTS

D10,883 S * 10/1878 Mills D1/127
393,027 A * 11/1888 Ppau, Jr. D28/8.1
D20,860 S * 6/1891 Stauffer D1/128
D34,677 S * 6/1901 Rockwell D25/120
729,248 A * 5/1903 Yeager et al. D1/106

910,192 A * 1/1909 Grouvelle et al. D1/199
1,268,470 A * 6/1918 Johnson 601/139
2,115,405 A * 4/1938 Allen 606/235
D206,140 S * 11/1966 Meeker D28/8.1
3,344,457 A * 10/1967 Grobert D25/120
3,415,225 A * 12/1968 Collier 424/438
3,441,001 A * 4/1969 Fisher 119/709
4,376,111 A * 3/1983 Tovey D24/101
D311,629 S * 10/1990 Ragot D1/126
D317,972 S * 7/1991 Liu et al. D1/102
D324,288 S * 3/1992 Meyers, Jr. et al. D1/126
D381,486 S * 7/1997 Hauser et al. D1/126
D410,315 S * 6/1999 Woodward D1/127
6,146,167 A * 11/2000 Kutsch D30/160
D437,101 S * 2/2001 Debbouz et al. D1/126

* cited by examiner

Primary Examiner—Cathy Anne MacCormac

(74) *Attorney, Agent, or Firm*—Fitzpatrick, Cella, Harper & Scinto

(57) **CLAIM**

The ornamental design for an animal chew, as shown and described.

DESCRIPTION

FIG. 1 is a top perspective view of an animal chew; and, FIG. 2 is an end elevation view thereof.

The broken away portion is to indicate indeterminate length.

1 Claim, 1 Drawing Sheet

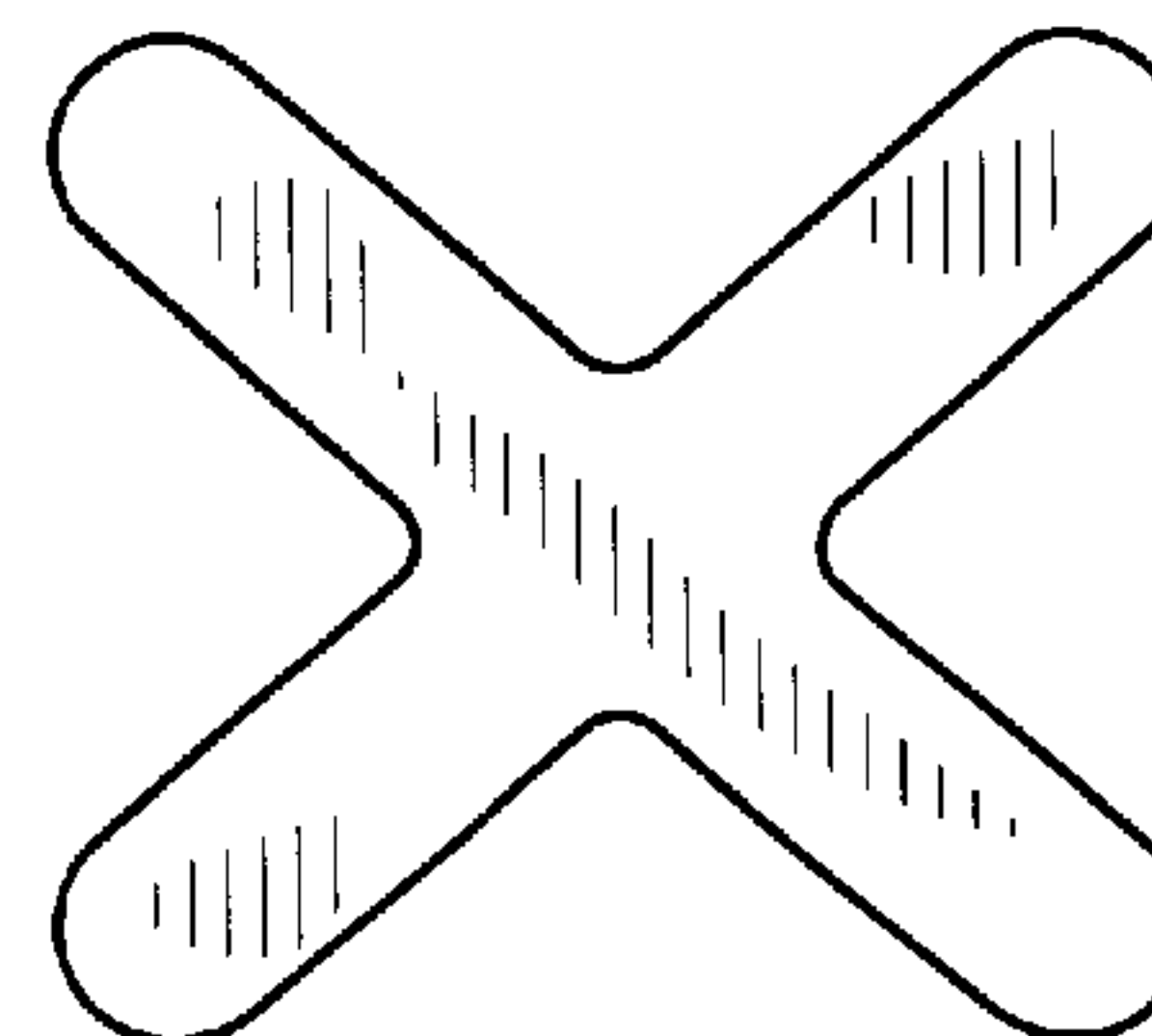
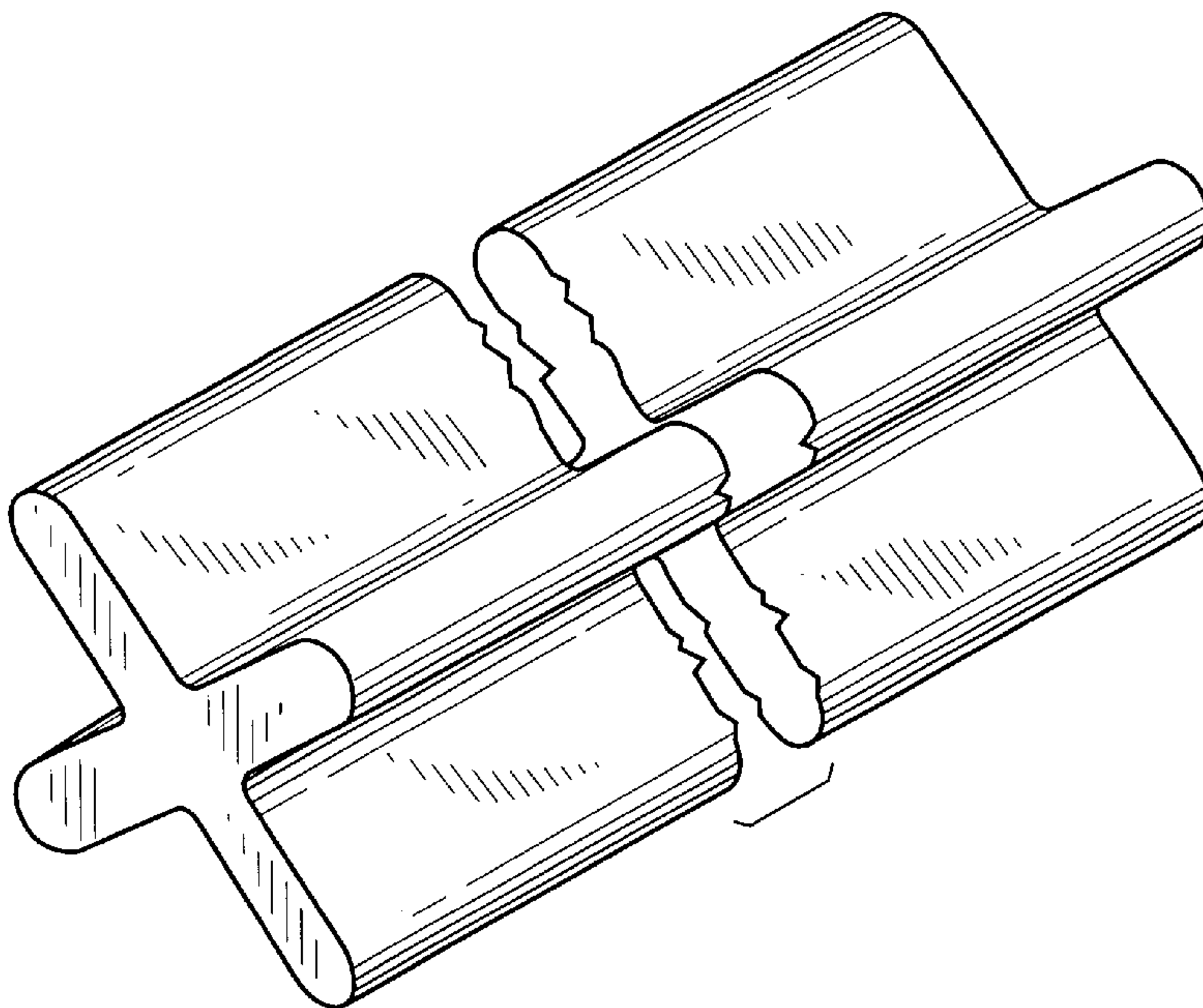


FIG. 1

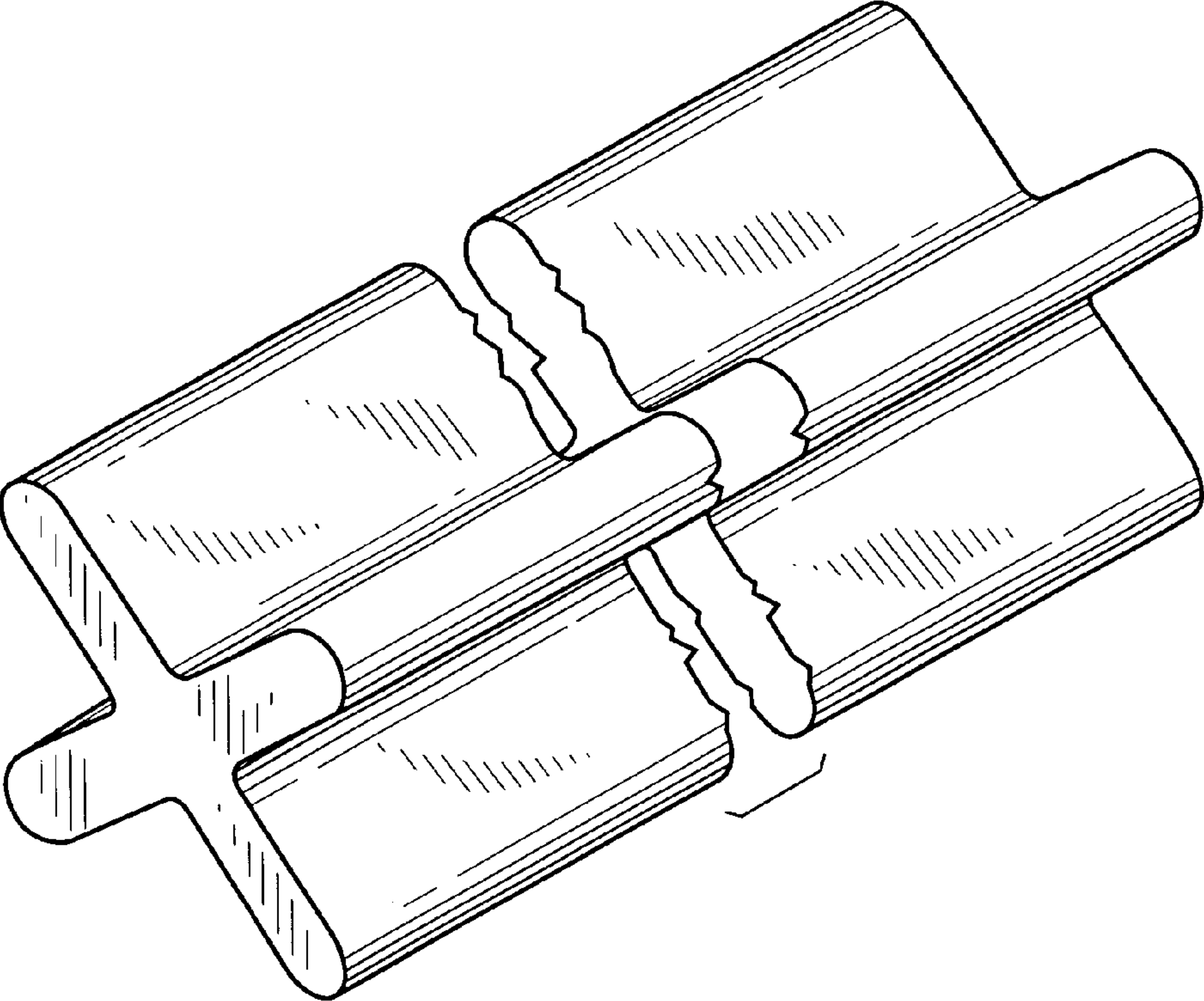


FIG. 2

