

US00D492835S1

(12) **United States Design Patent** (10) **Patent No.:** **US D492,835 S**
Michaels et al. (45) **Date of Patent:** **** Jul. 6, 2004**

(54) **BULK BAG**

(75) Inventors: **Richard Stephen Michaels**, 34 Otter Crescent, St. Albert, Alberta (CA), T8N 6Y6; **Norton Marcus Loblick**, Edmonton (CA)

(73) Assignee: **Richard Stephen Michaels**, St. Albert (CA)

(**) Term: **14 Years**

5,794,543 A	8/1998	John et al.	108/56.1
5,809,905 A	9/1998	John et al.	108/56.1
6,213,305 B1	4/2001	Baker et al.	206/599
6,263,807 B1	7/2001	Fox et al.	108/57.25
D453,603 S *	2/2002	Bray et al.	D34/38
6,467,625 B2	10/2002	Baker et al.	206/599
D466,690 S *	12/2002	Walsh	D3/304
6,533,121 B1 *	3/2003	Ross	206/599
D473,052 S *	4/2003	Dehenau	D3/273
D478,421 S *	8/2003	Overholt et al.	D3/304
2003/0005862 A1	1/2003	Halavais	108/56.1

FOREIGN PATENT DOCUMENTS

CA	2205840	11/1995	B65D/19/26
CA	2310556	7/2000	B65D/19/32
GB	2161452	1/1986	B65D/88/16

* cited by examiner

Primary Examiner—Cynthia E. Ramirez
 (74) *Attorney, Agent, or Firm*—Davis & Bujold, PLLC

(21) Appl. No.: **29/185,075**

(22) Filed: **Jun. 20, 2003**

(30) **Foreign Application Priority Data**

Dec. 23, 2002 (CA) 101682

(51) **LOC (7) Cl.** **09-08**

(52) **U.S. Cl.** **D34/38**

(58) **Field of Search** D34/28, 38; D3/304, D3/305, 307; 108/51.11, 53.3, 54.1, 55.3, 56.1, 57.1; 206/596, 599, 600

(57) **CLAIM**

The ornamental design for a bulk bag, as shown and described.

(56) **References Cited**

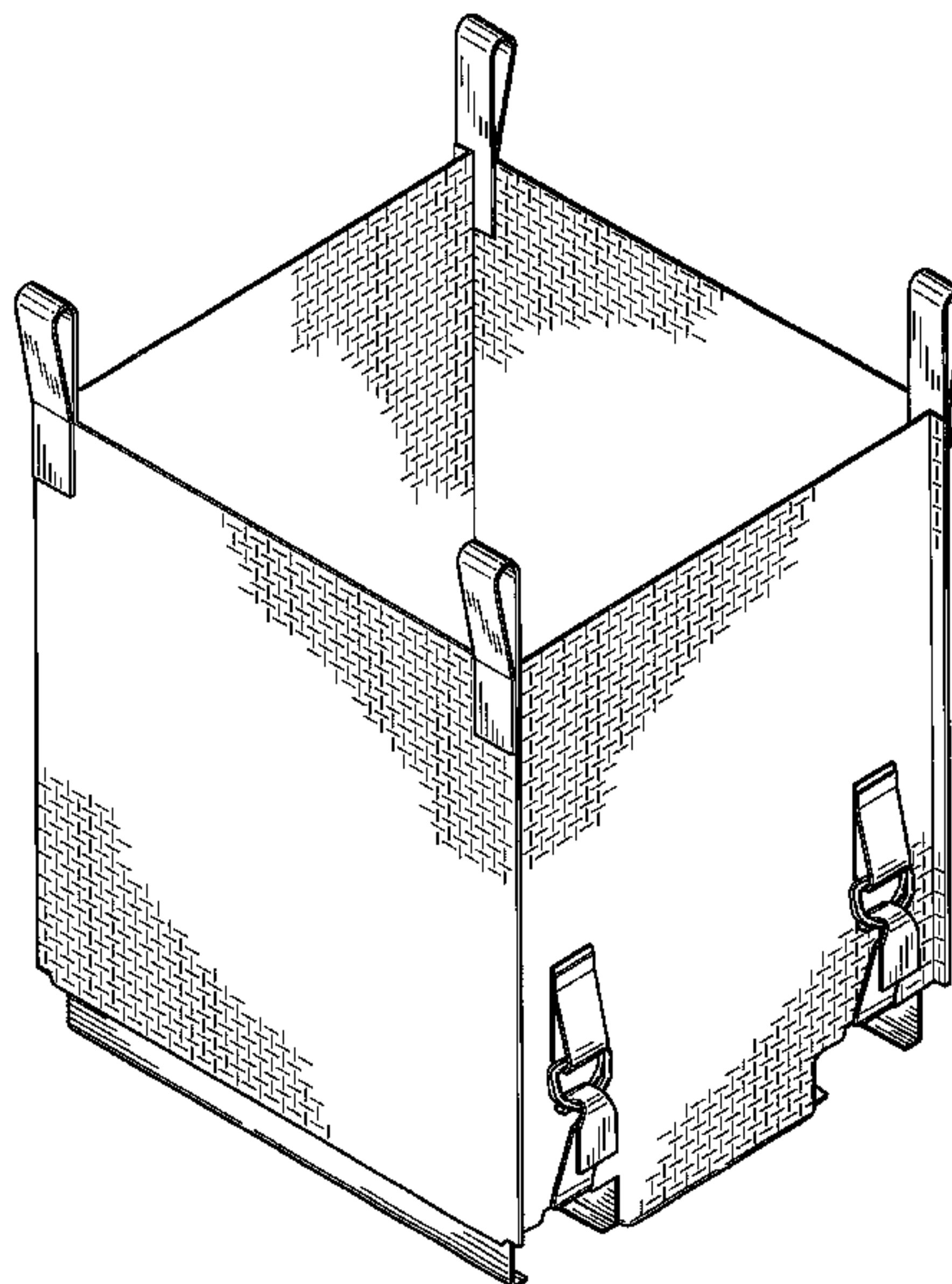
U.S. PATENT DOCUMENTS

3,165,078 A	1/1965	White	108/56
3,329,103 A	7/1967	Cohen	108/54
3,469,542 A	9/1969	Ahlenius	108/56
3,623,631 A *	11/1971	Ford	220/628
3,651,769 A	3/1972	Foley	108/56
3,878,796 A	4/1975	Morrison	108/56
D277,042 S *	1/1985	Carter et al.	D3/305
5,170,722 A	12/1992	Friesner et al.	108/56
D345,847 S *	4/1994	Schuchard	D3/305
5,440,998 A	8/1995	Morgan, IV et al.	108/51.1
5,456,189 A	10/1995	Belle Isle	108/51.1
5,461,988 A	10/1995	Cummings et al.	108/51.3
5,676,063 A	10/1997	Wallace	108/51.1
D387,557 S *	12/1997	Provot	D3/307

DESCRIPTION

FIG. 1 is a right side perspective view from above of a bulk bag;
 FIG. 2 is a left side perspective view from above of the bulk bag illustrated in FIG. 1;
 FIG. 3 is a right side perspective view from below of the bulk bag illustrated in FIG. 1;
 FIG. 4 is a left side perspective view from below of the bulk bag illustrated in FIG. 1;
 FIG. 5 is a right side elevation view of the bulk bag illustrated in FIG. 1; and,
 FIG. 6 is a bottom plan view of the bulk bag illustrated in FIG. 1.

1 Claim, 6 Drawing Sheets



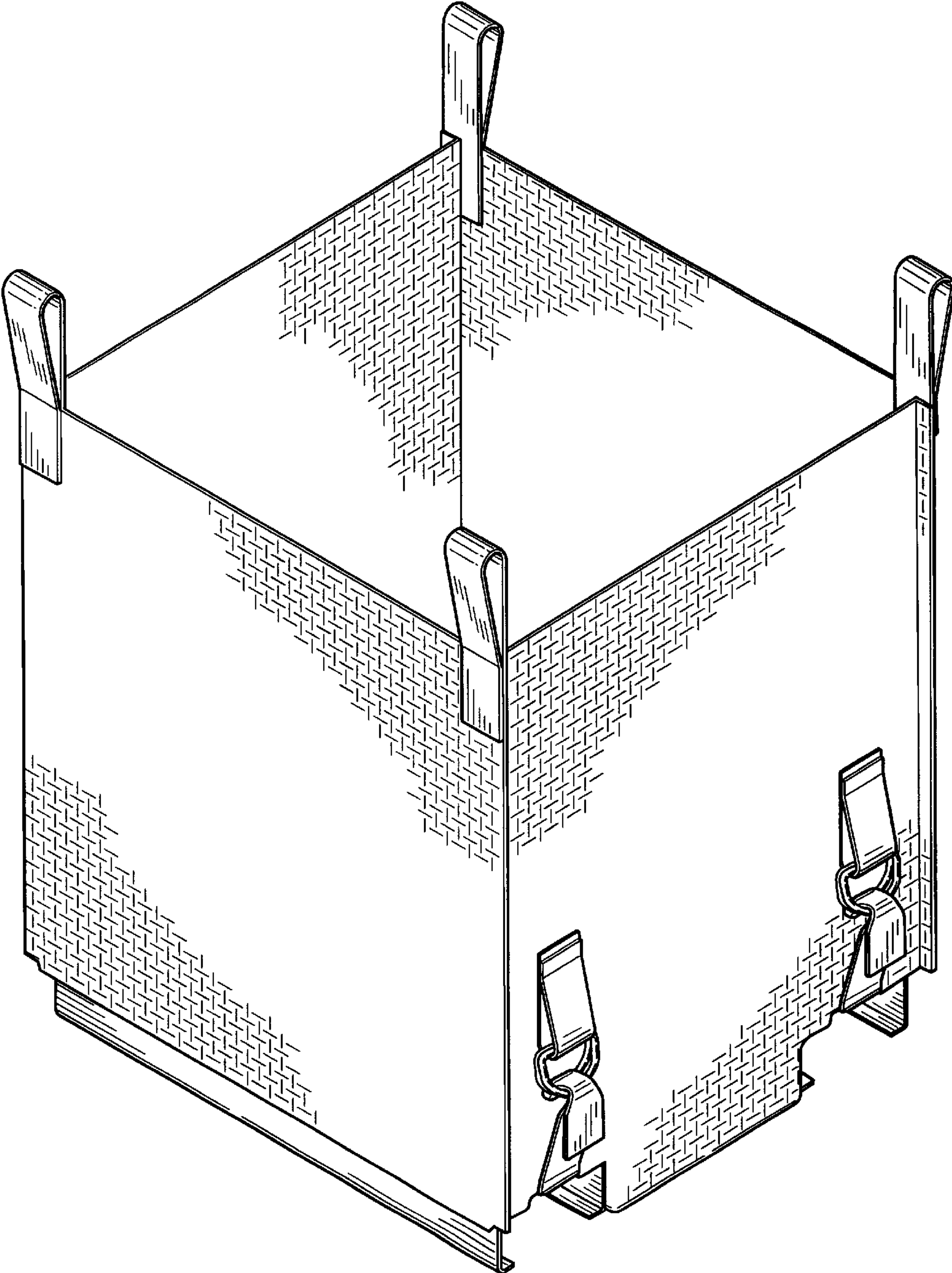


FIG. 1

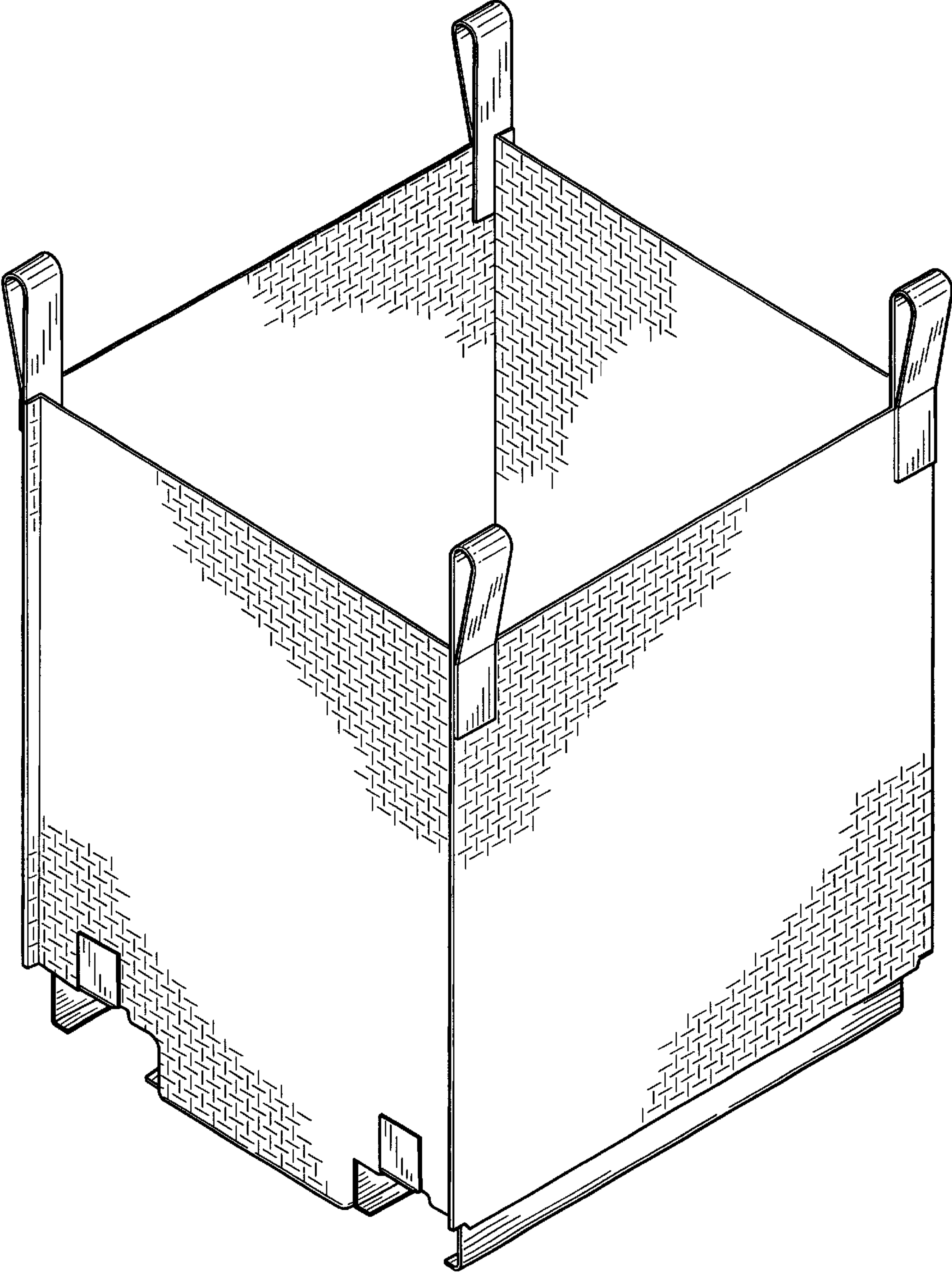


FIG. 2

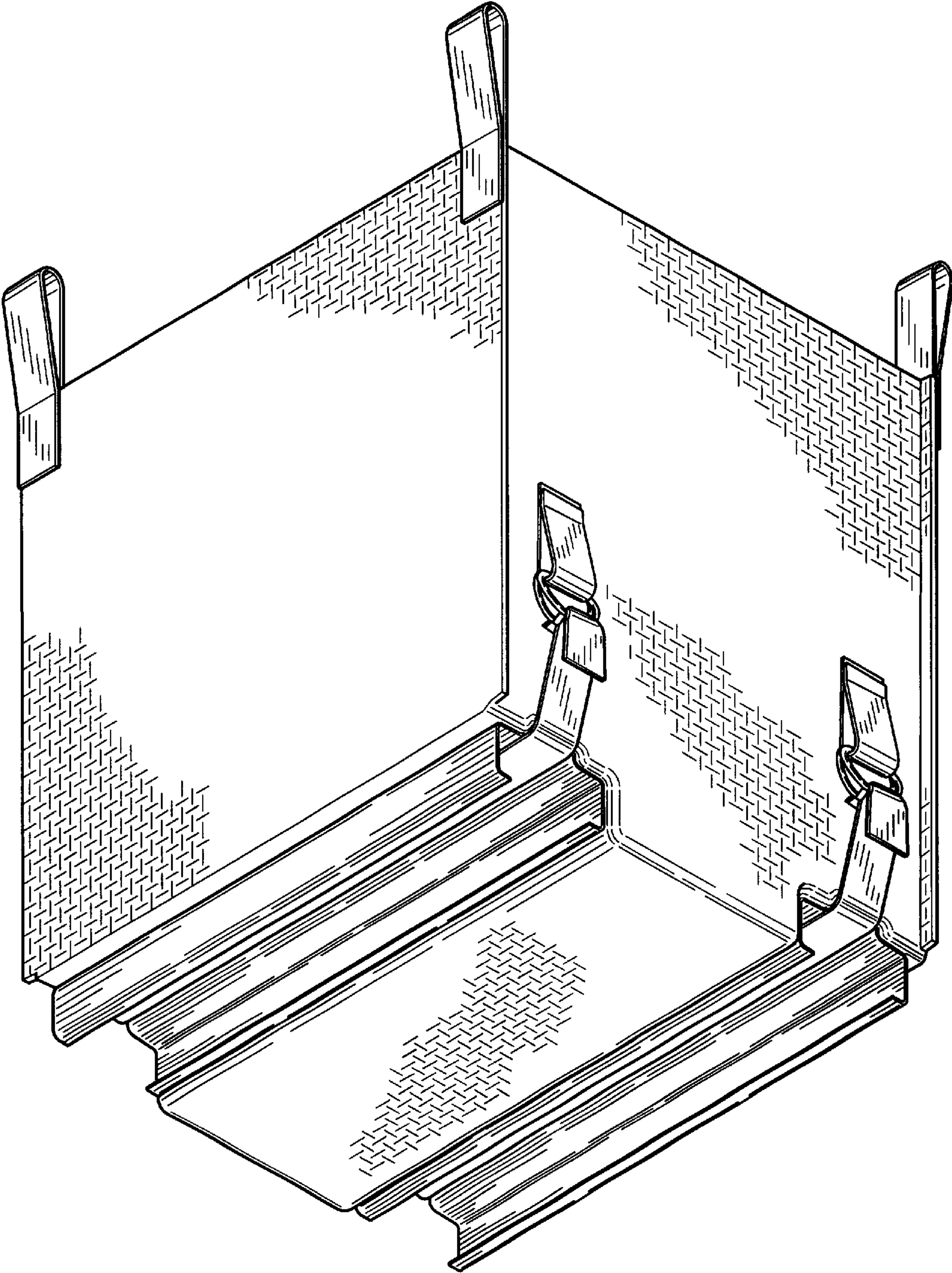


FIG. 3

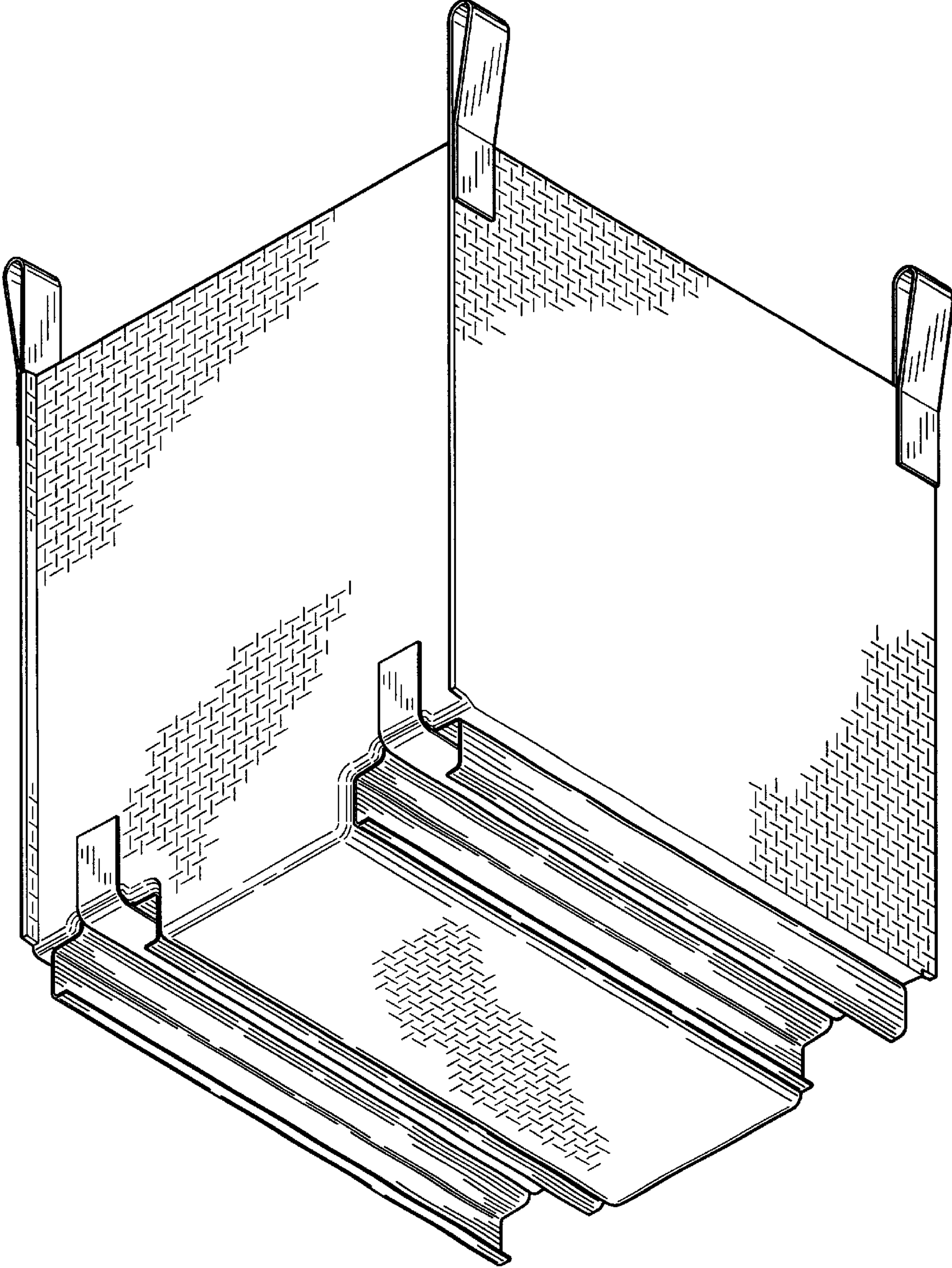


FIG. 4

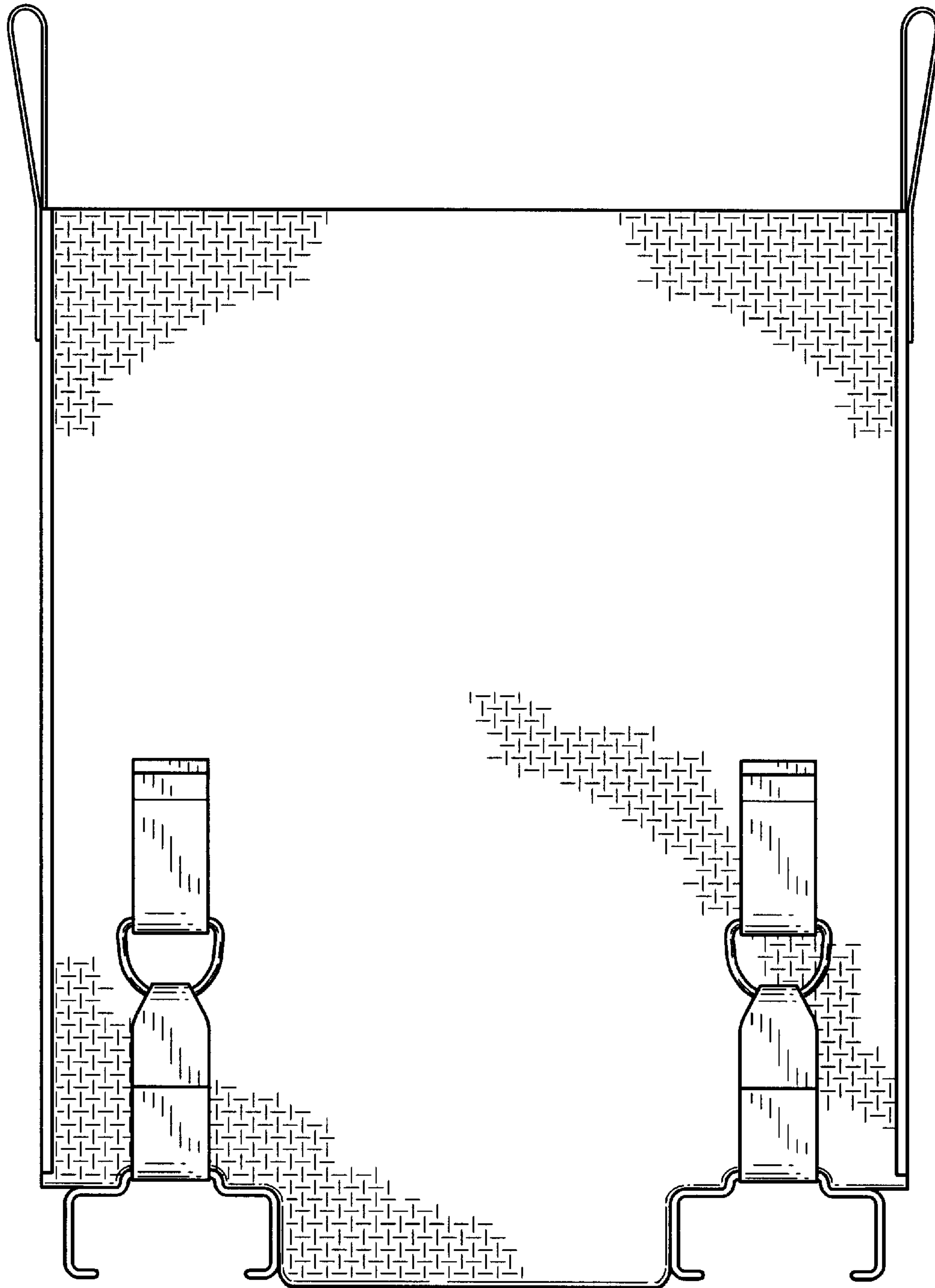


FIG. 5

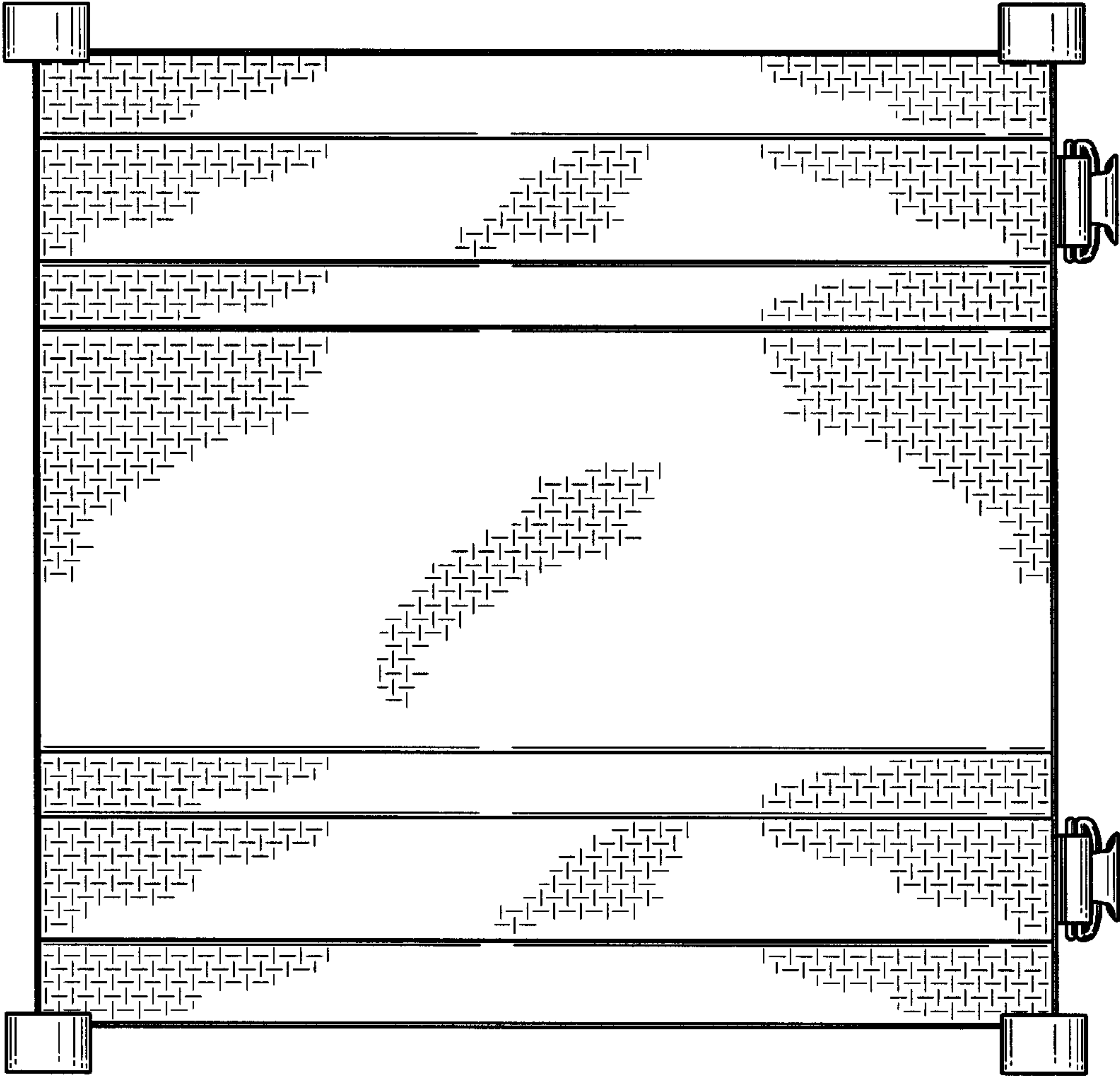


FIG. 6