

US00D492834S1

(12) **United States Design Patent**
Tomes

(10) **Patent No.:** **US D492,834 S**
(45) **Date of Patent:** **** Jul. 6, 2004**

- (54) **COIL RACK**
- (75) **Inventor:** **David A. Tomes, Sparks, NV (US)**
- (73) **Assignee:** **Alcoa Inc., Pittsburgh, PA (US)**
- (**) **Term:** **14 Years**
- (21) **Appl. No.:** **29/166,478**
- (22) **Filed:** **Aug. 27, 2002**
- (51) **LOC (7) Cl.** **09-08**
- (52) **U.S. Cl.** **D34/38**
- (58) **Field of Search** **D34/28, 38; 248/346.01;**
108/51.11, 57.15, 53.1, 901, 56.3, 53.3,
57.16, 57.17, 57.13, 54.1, 55.3, 57.1, 55.1;
211/186

3,753,407 A	8/1973	Tilseth	108/53
D240,212 S	* 6/1976	Zinna	D34/38
D256,346 S	* 8/1980	Annis	D34/38
4,638,744 A	* 1/1987	Clive-Smith	108/56.1
4,796,540 A	1/1989	Pelfrey	108/55.3
D345,845 S	* 4/1994	Strzegowski, Jr.	D34/38
5,398,832 A	* 3/1995	Clive-Smith	220/1.5
5,404,821 A	* 4/1995	Bond	108/55.1
5,413,054 A	* 5/1995	Collins	108/55.3
5,507,237 A	* 4/1996	Barrow et al.	108/55.1
D376,889 S	* 12/1996	Pilla	D34/38
5,644,991 A	* 7/1997	Prevot et al.	108/54.1
D385,080 S	10/1997	Schueneman et al.	
D426,693 S	* 6/2000	Thomsen	D34/38
D441,166 S	* 4/2001	Bowman et al.	D34/38
D455,244 S	* 4/2002	Lastrup	D34/38
D466,269 S	* 11/2002	Falland	D34/39

* cited by examiner

Primary Examiner—Cynthia E. Ramirez
(74) *Attorney, Agent, or Firm*—David W. Pearce-Smith

(56) **References Cited**

U.S. PATENT DOCUMENTS

2,046,095 A	6/1936	Shaw	211/71
2,431,589 A	11/1947	Shuler, Jr.	214/1
2,662,710 A	12/1953	Lapham	248/120
2,803,363 A	8/1957	Hutchinson	214/621
2,958,492 A	11/1960	Maynard	248/119
3,285,204 A	11/1966	Schweitzer, Jr.	108/55
3,315,800 A	4/1967	Wagner	206/46
3,430,586 A	3/1969	Oswald	108/55
3,444,829 A	* 5/1969	Mork	108/53.3
3,472,363 A	10/1969	Rustin, Jr. et al.	206/46
3,476,260 A	11/1969	Jay	211/71
3,507,415 A	4/1970	Mankey	214/621
3,563,184 A	2/1971	Anglebeck, Jr.	108/51
3,590,752 A	7/1971	DePew	108/53
3,620,388 A	* 11/1971	St. Ives	108/53.1
3,707,929 A	1/1973	Lauffer	108/51

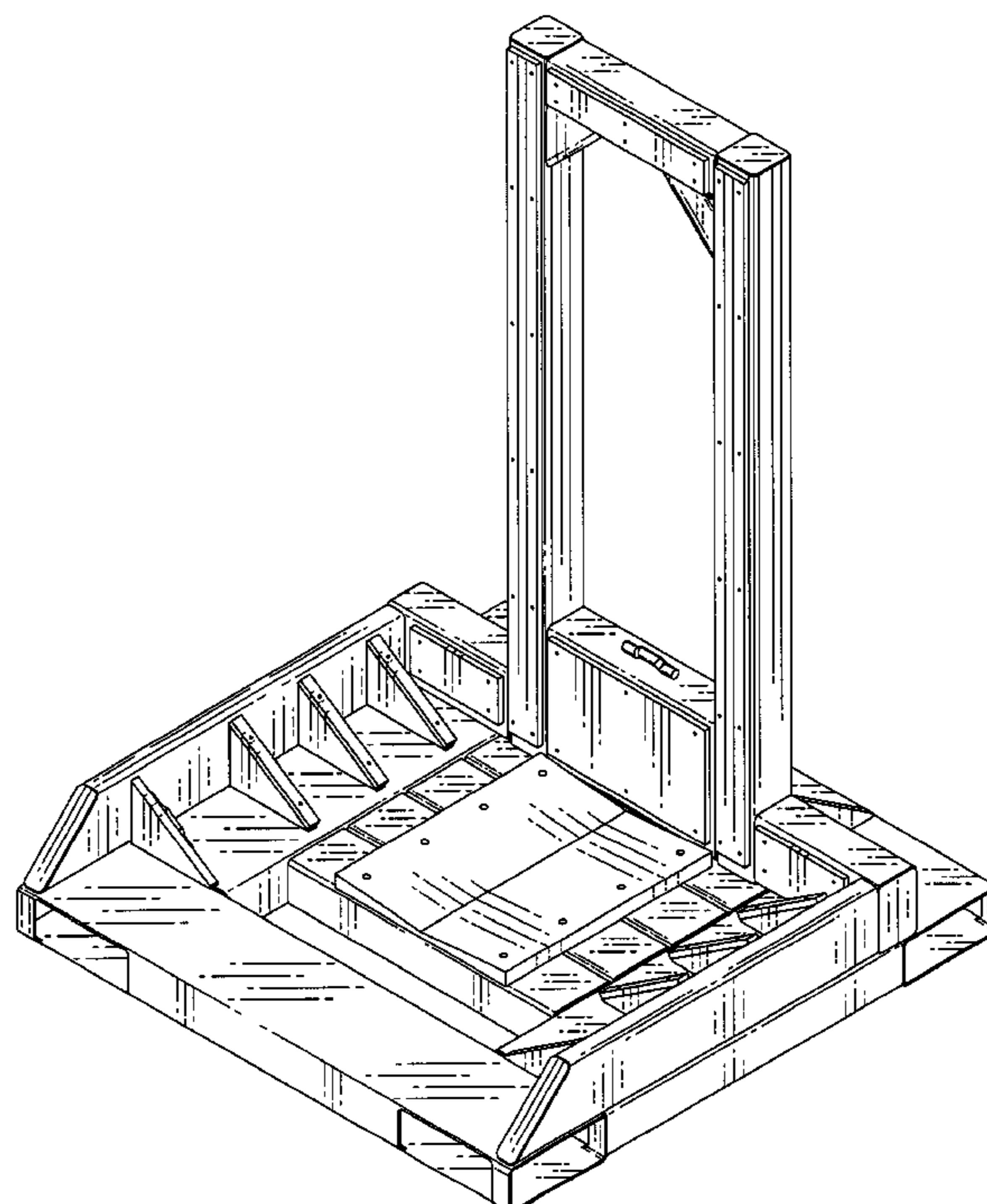
(57) **CLAIM**

The ornamental designs for a coil rack, as shown and described.

DESCRIPTION

FIG. 1 is a top perspective view of a coil rack in accordance with the invention;
FIG. 2 is a rear side plan view of the coil rack;
FIG. 3 is a bottom plan view of the coil rack;
FIG. 4 is a right side elevational view of the coil rack;
FIG. 5 is a left side elevational view of the coil rack;
FIG. 6 is a bottom plan view of the coil rack; and,
FIG. 7 is a rear side plan view of the coil rack.

1 Claim, 7 Drawing Sheets



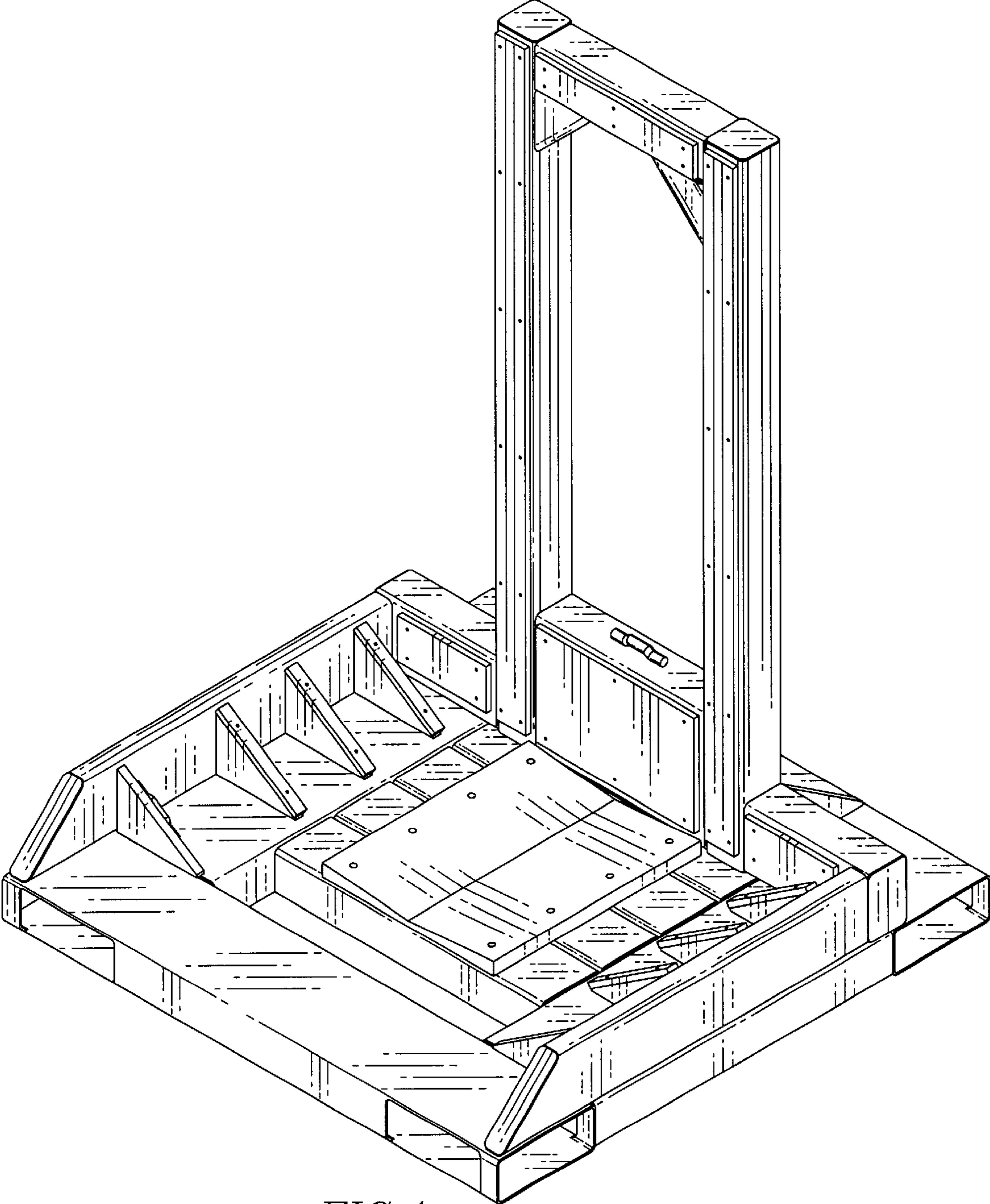


FIG. 1

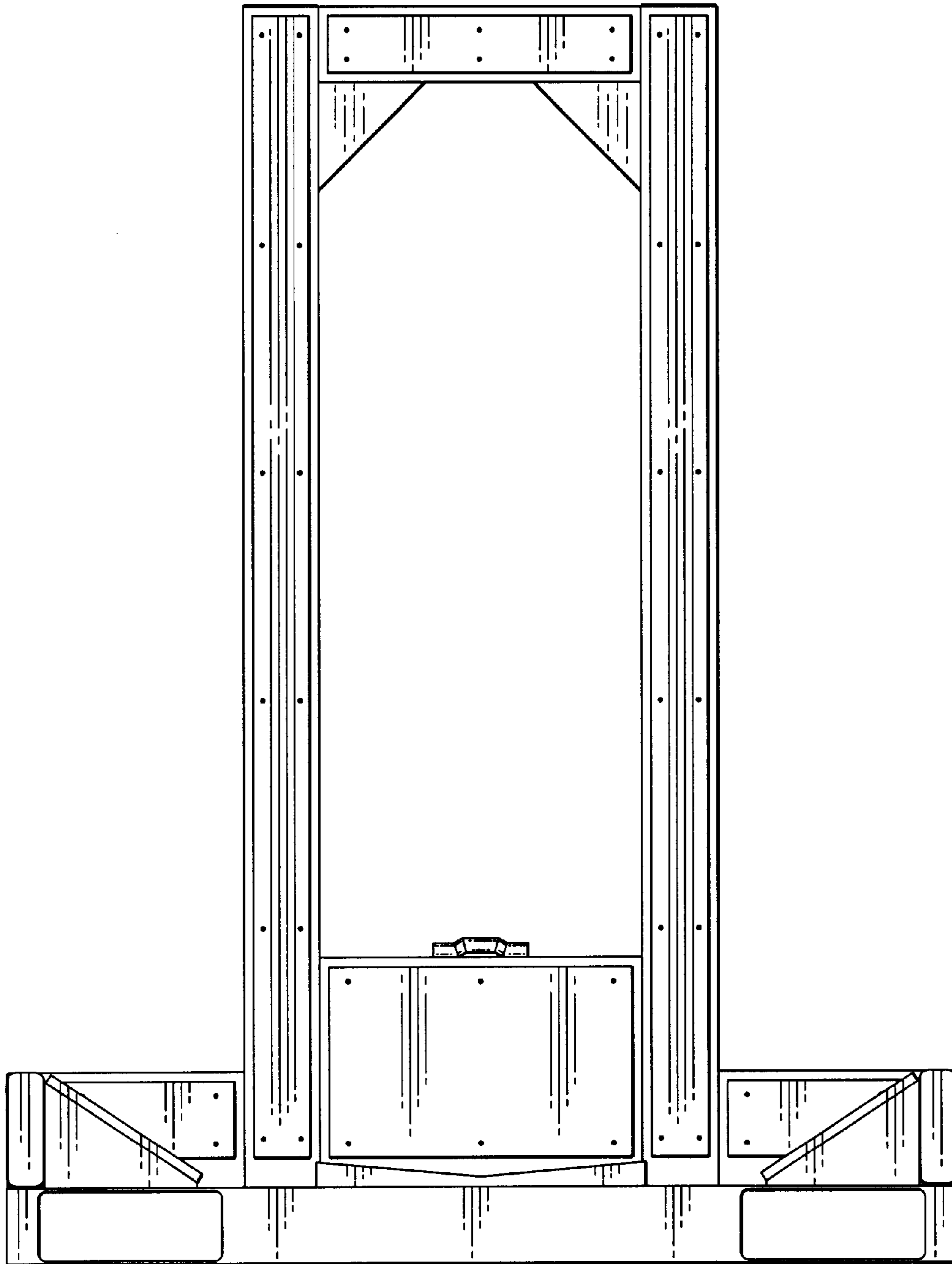


FIG. 2

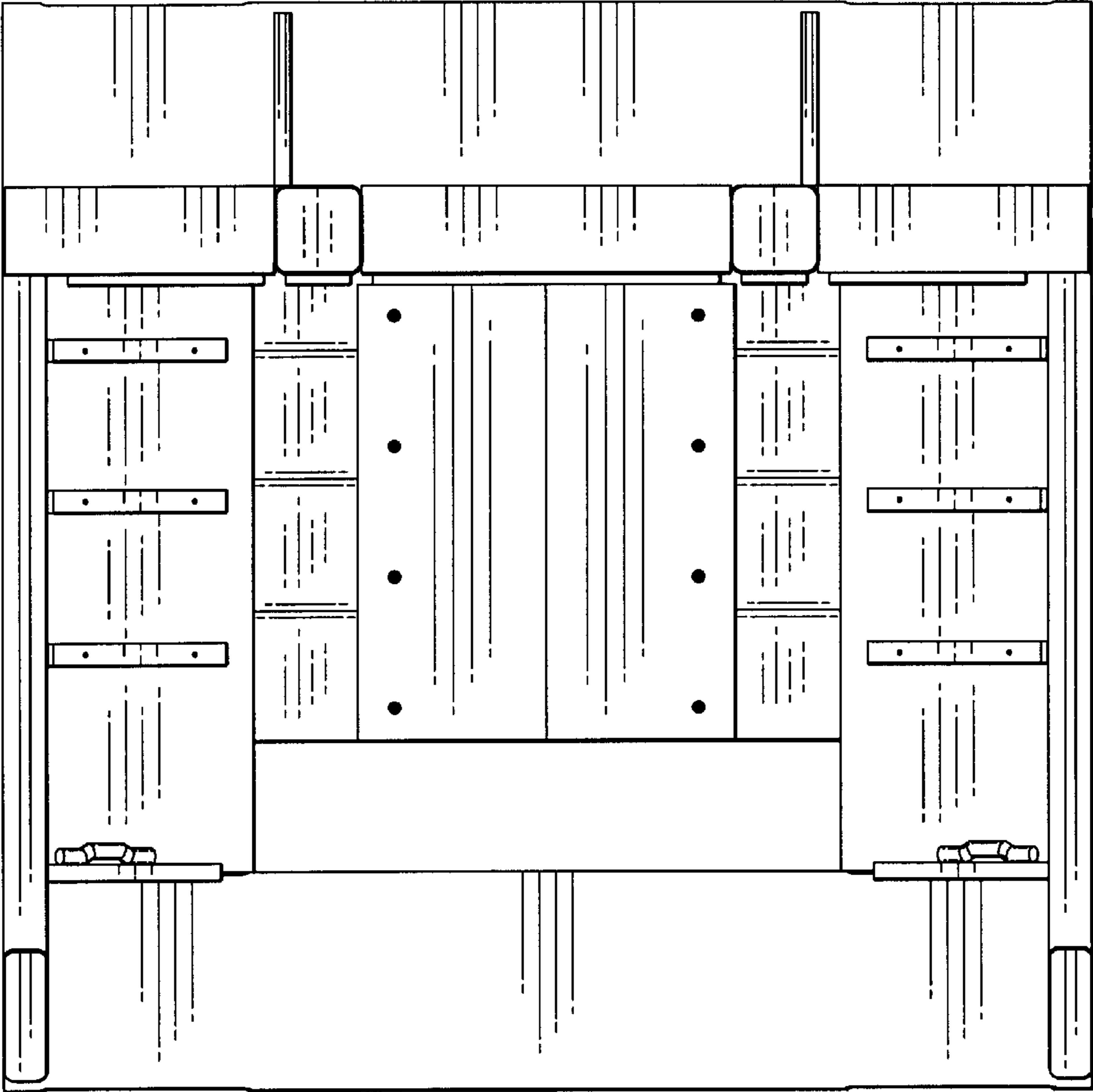


FIG. 3

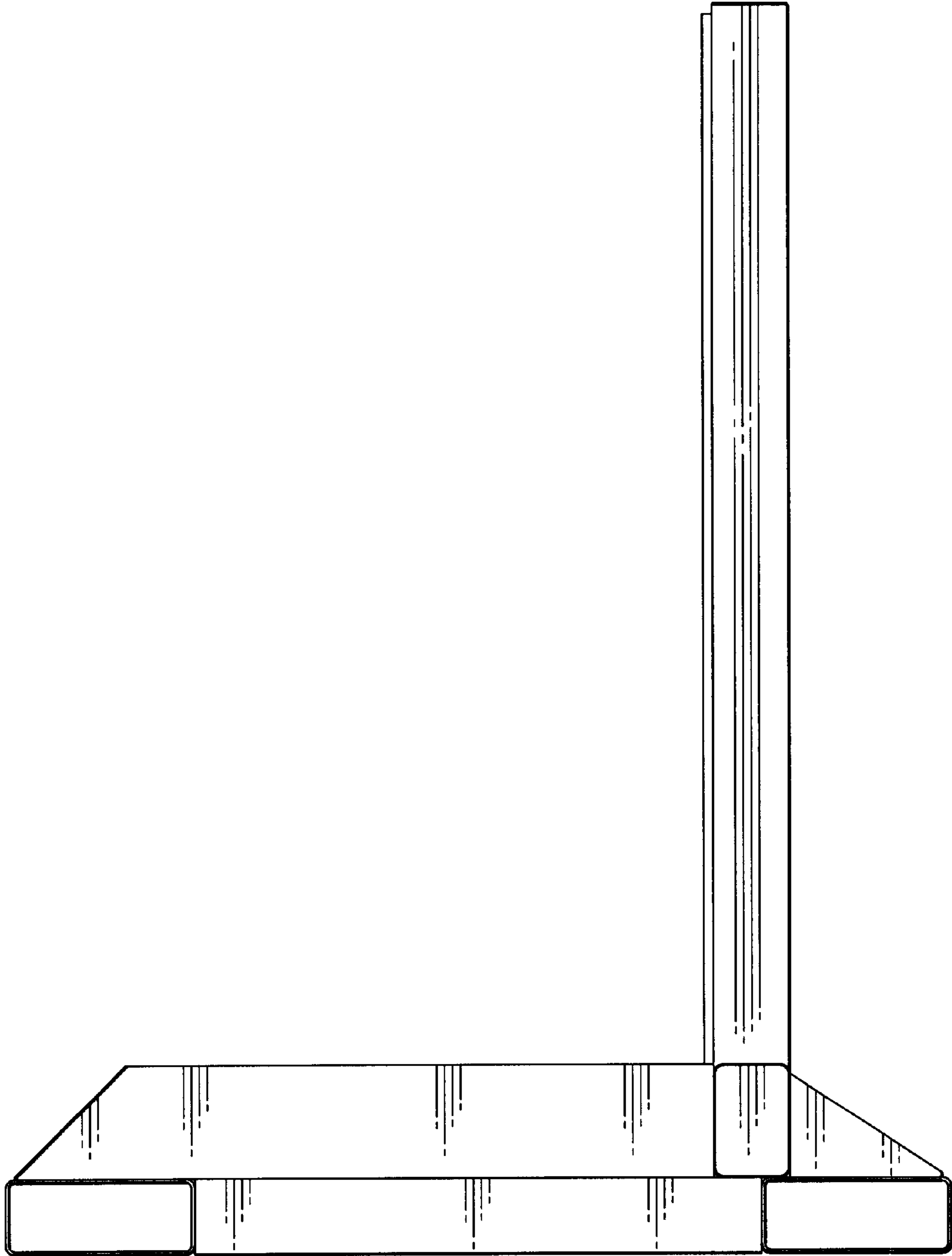


FIG. 4

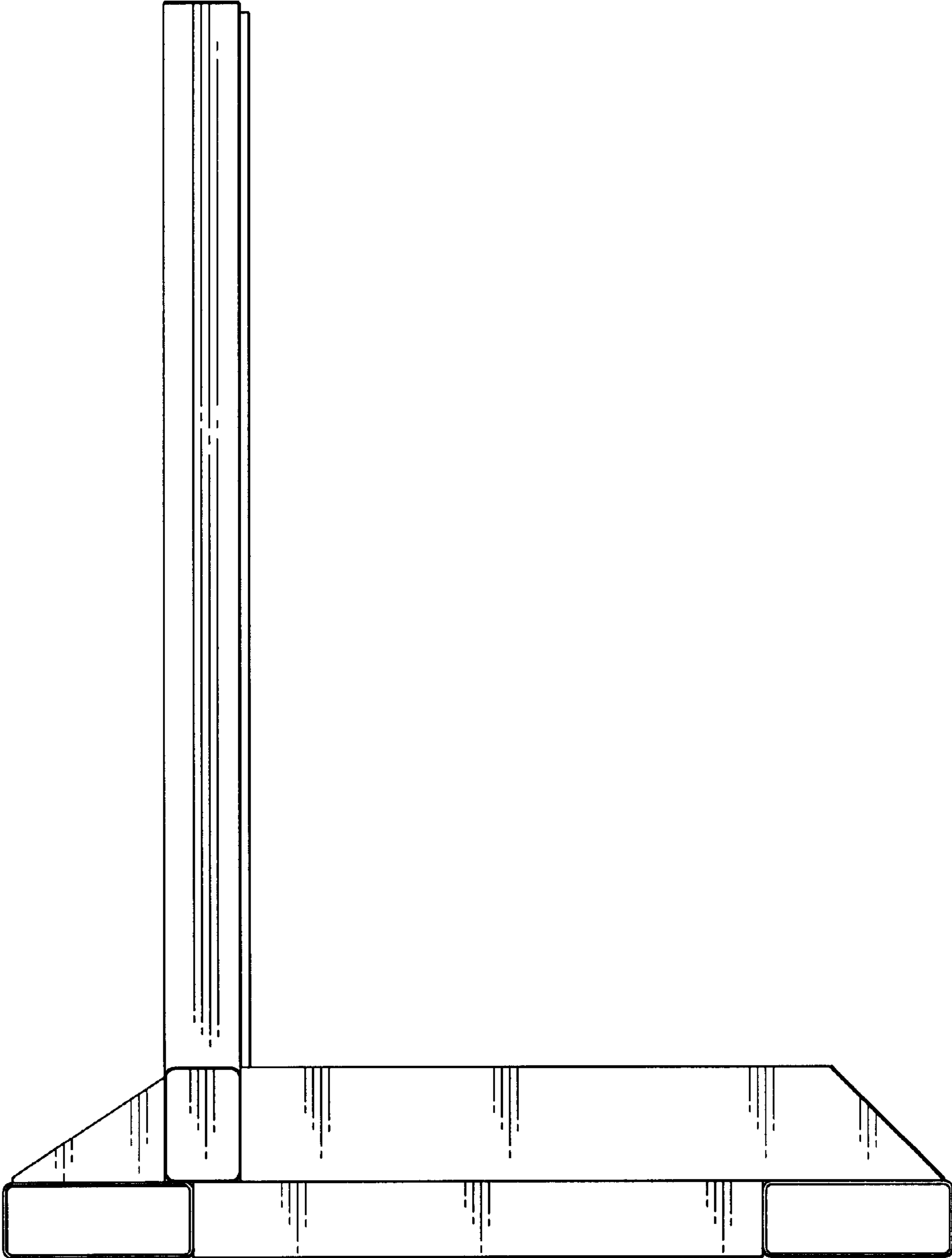


FIG. 5

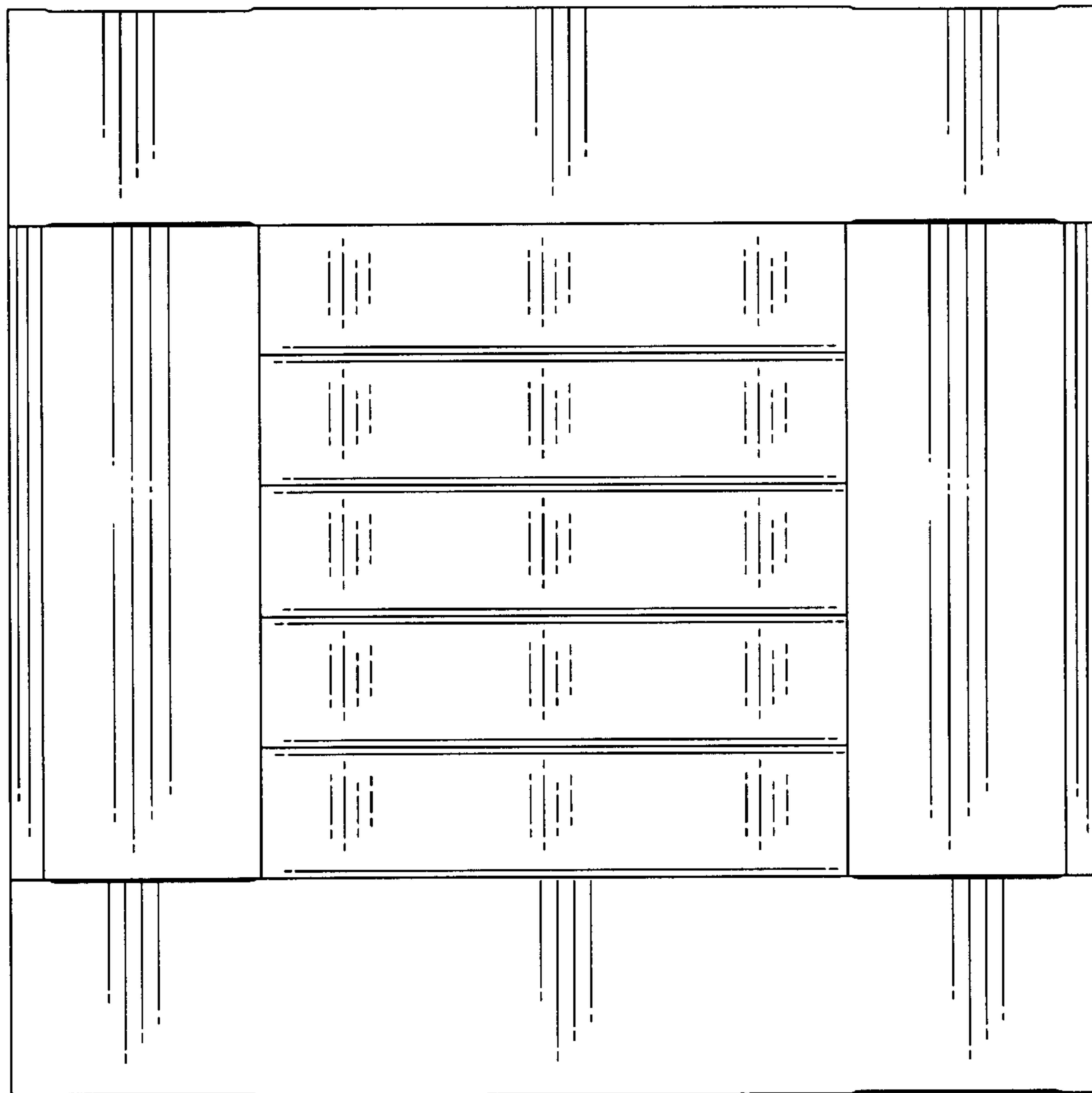


FIG. 6

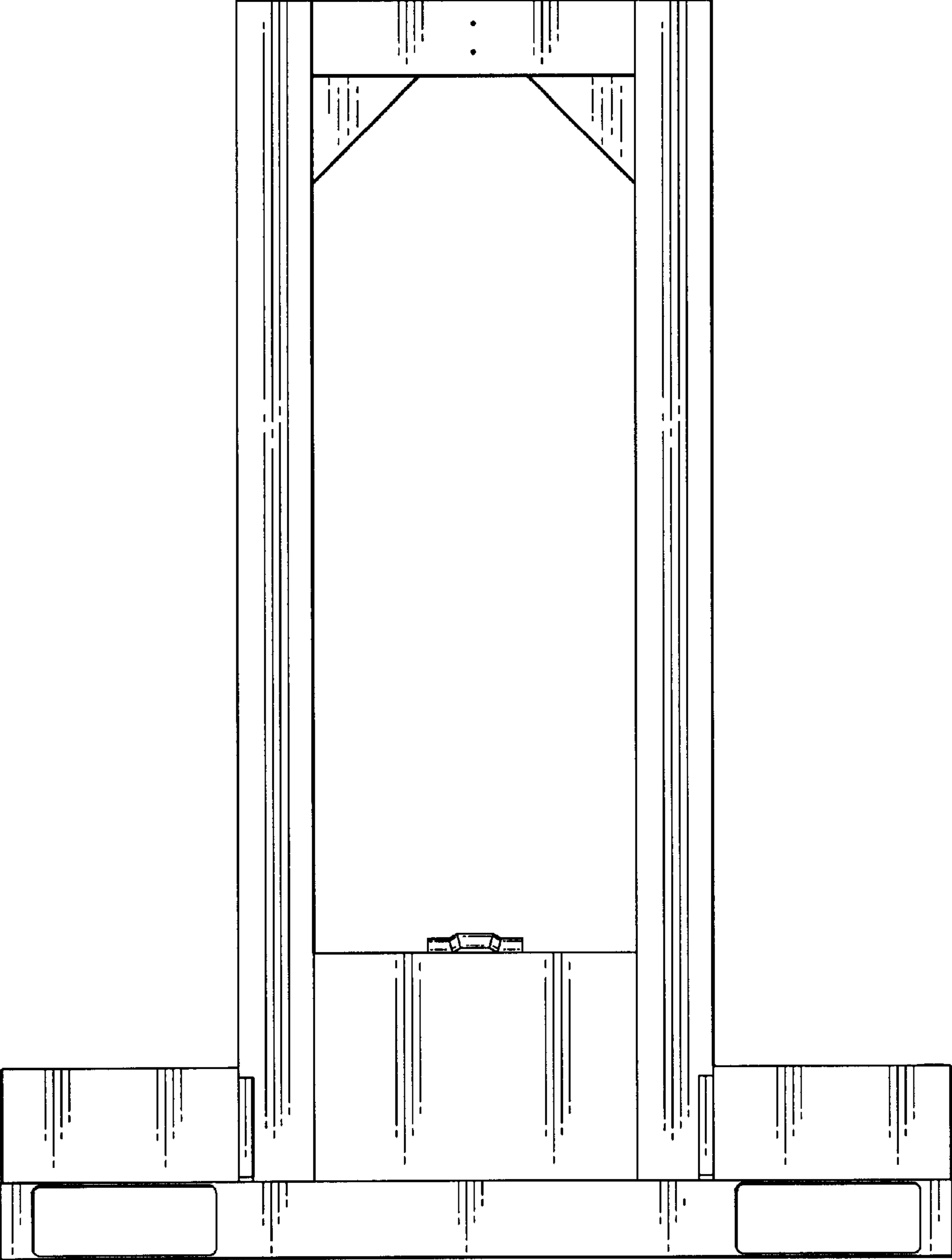


FIG. 7