

US00D492833S1

(12) **United States Design Patent**
Henshaw et al.

(10) **Patent No.:** **US D492,833 S**
(45) **Date of Patent:** **** Jul. 6, 2004**

(54) **RIDER PALLET TRUCK**

6,464,025 B1 10/2002 Koeper et al.

(75) Inventors: **Robert J. Henshaw**, Newnan, GA
(US); **Michael P. Gallagher**,
Greenville, OH (US)

* cited by examiner

Primary Examiner—Cynthia E. Ramirez
(74) *Attorney, Agent, or Firm*—Stevens & Showalter LLP

(73) Assignee: **Crown Equipment Corporation**, New
Bremen, OH (US)

(57) **CLAIM**

The ornamental design for a rider pallet truck, as shown.

(**) Term: **14 Years**

DESCRIPTION

(21) Appl. No.: **29/183,126**

FIG. 1 is a perspective view of a rider pallet truck in accordance with the present invention illustrating our new design, the view taken from the front of the truck;

(22) Filed: **Jun. 6, 2003**

FIG. 2 is a perspective view of a rider pallet truck in accordance with the present invention illustrating our new design, the view taken from the rear of the truck;

(51) **LOC (7) Cl.** **12-05**

(52) **U.S. Cl.** **D34/34**

(58) **Field of Search** D34/28, 34; 187/222,
187/226, 237, 238; 414/679, 680; 180/89.12,
89.13, 89.17, 19.1

FIG. 3 is an elevational view of the left side of the truck;
FIG. 4 is an elevational view of the right side of the truck;
FIG. 5 is an elevational view of the front of the truck;
FIG. 6 is an elevational view of the rear of the truck; and,
FIG. 7 is an elevational view of the top of the truck.

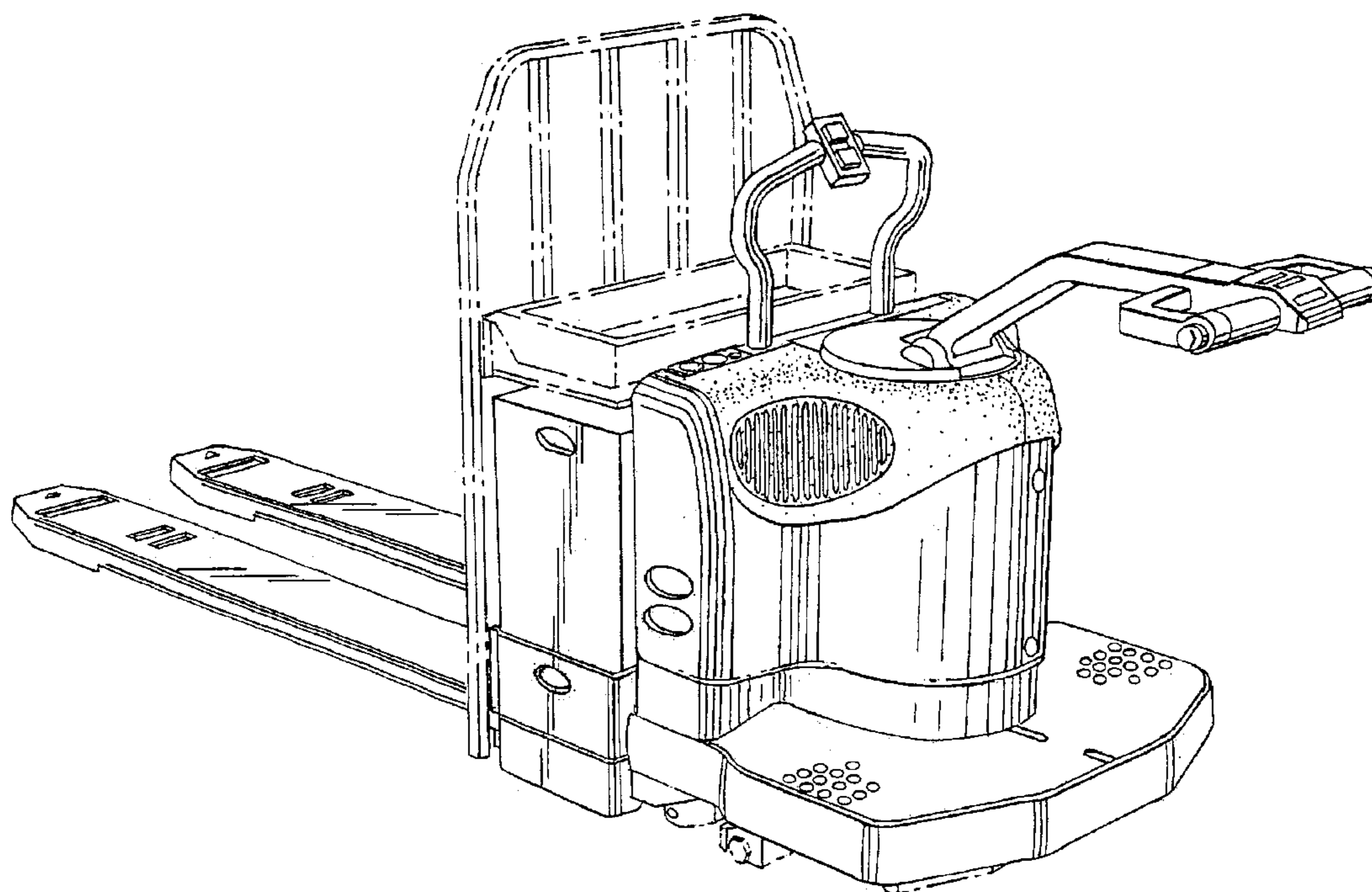
The broken line showing of a rack and bottom elements in the figures is for illustrative purposes only and forms no part of the claimed design.

(56) **References Cited**

U.S. PATENT DOCUMENTS

5,245,144 A	9/1993	Stammen	
D343,935 S	* 2/1994	Drobeck et al. D34/35
D386,876 S	* 11/1997	Niebuhr D34/34
6,125,971 A	* 10/2000	Niebuhr et al. 187/231
D447,612 S	* 9/2001	Niebuhr D34/34

1 Claim, 6 Drawing Sheets



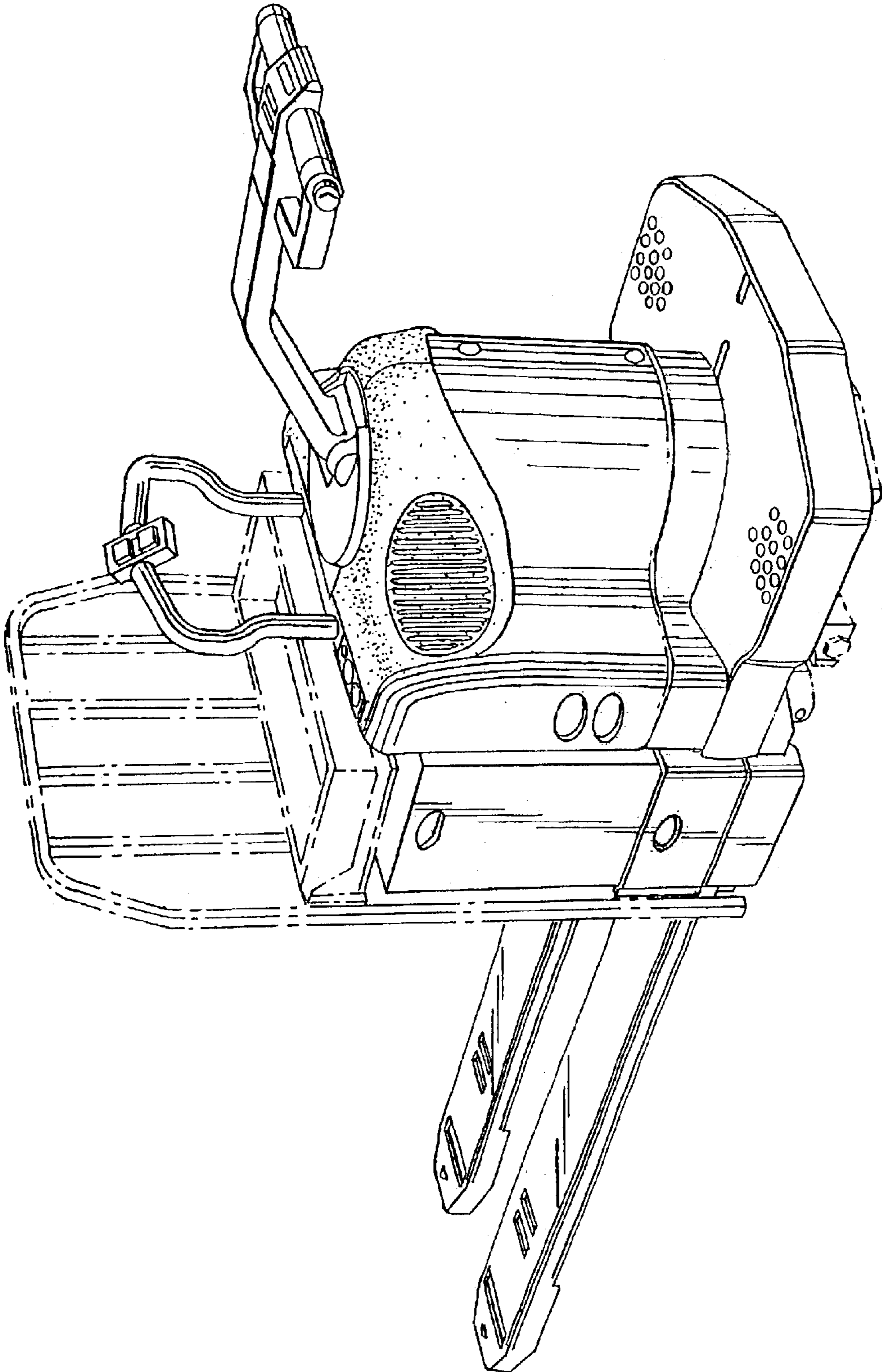


FIG. 1

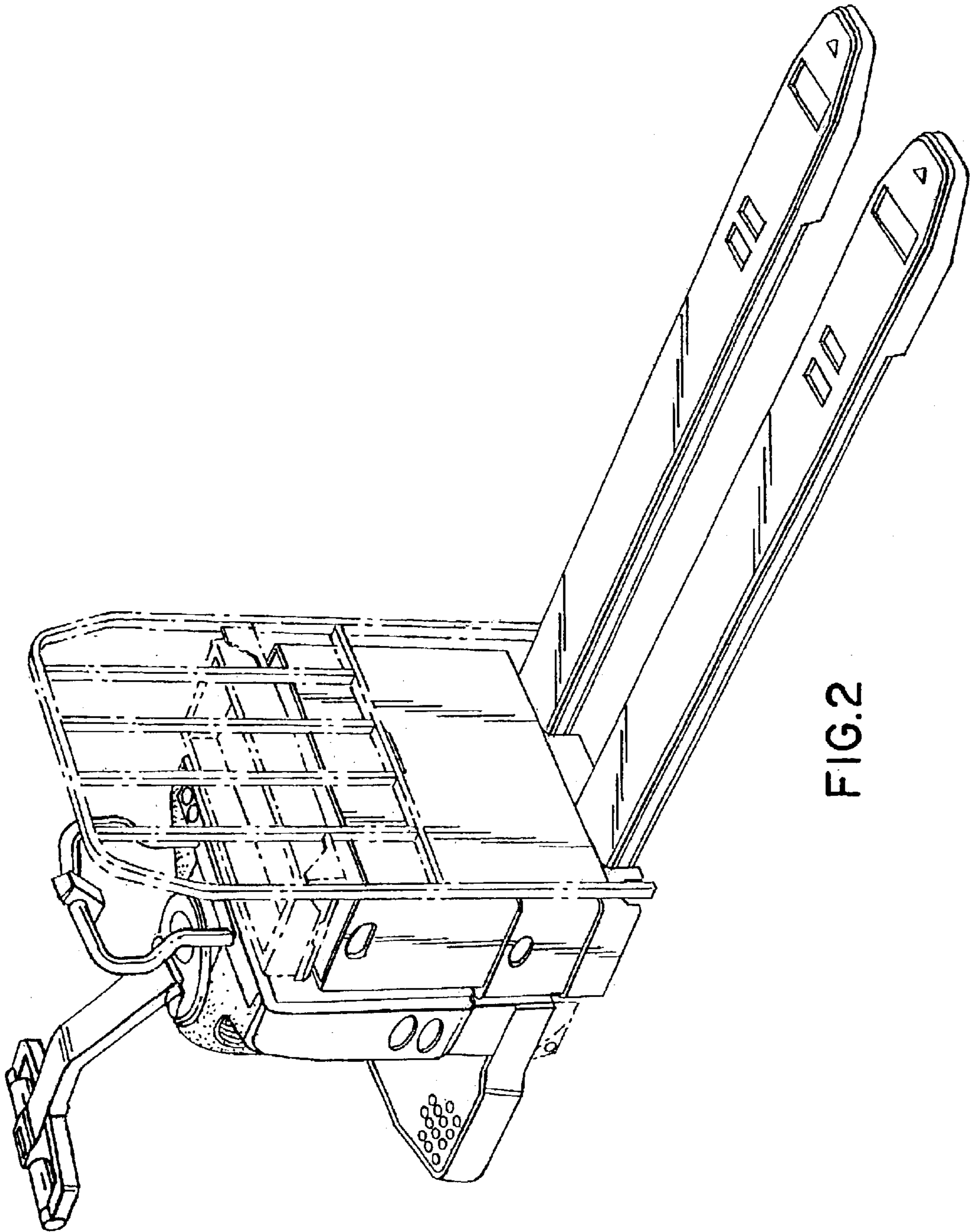


FIG.2

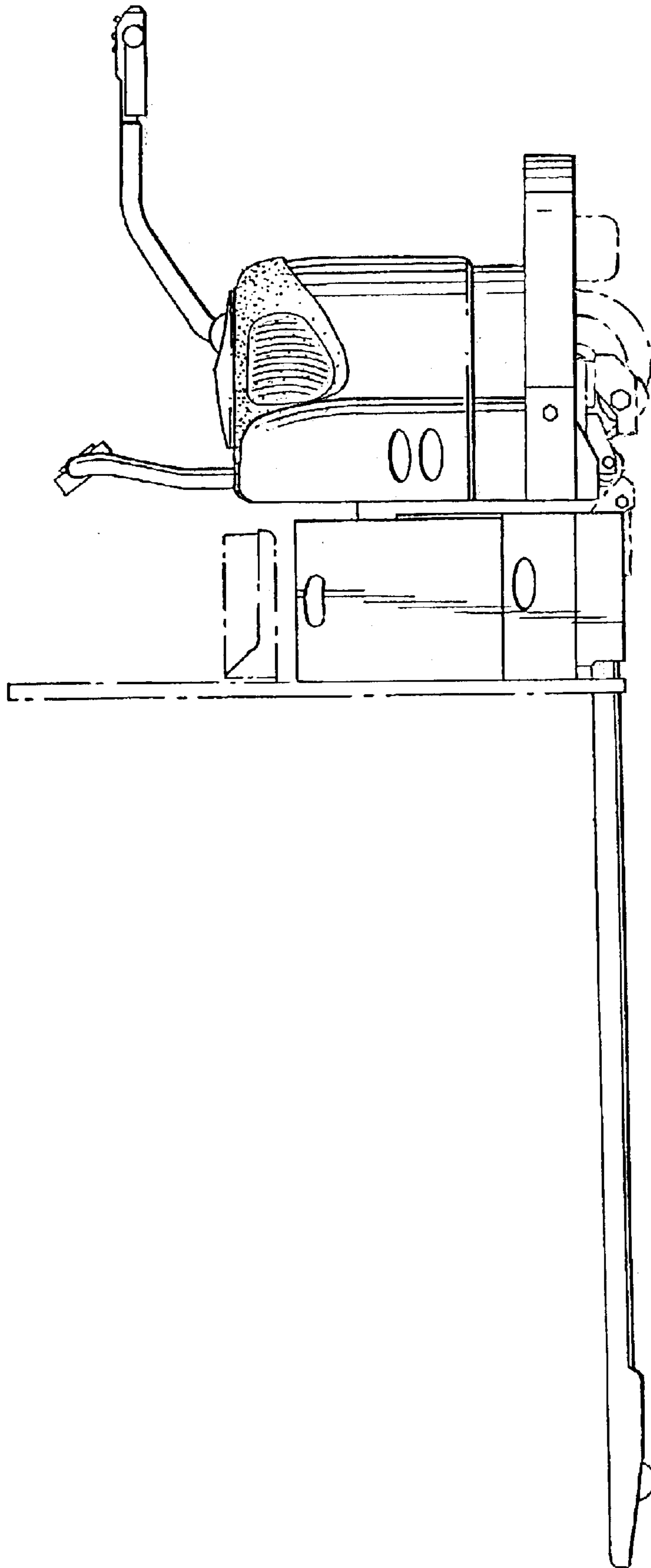


FIG. 3

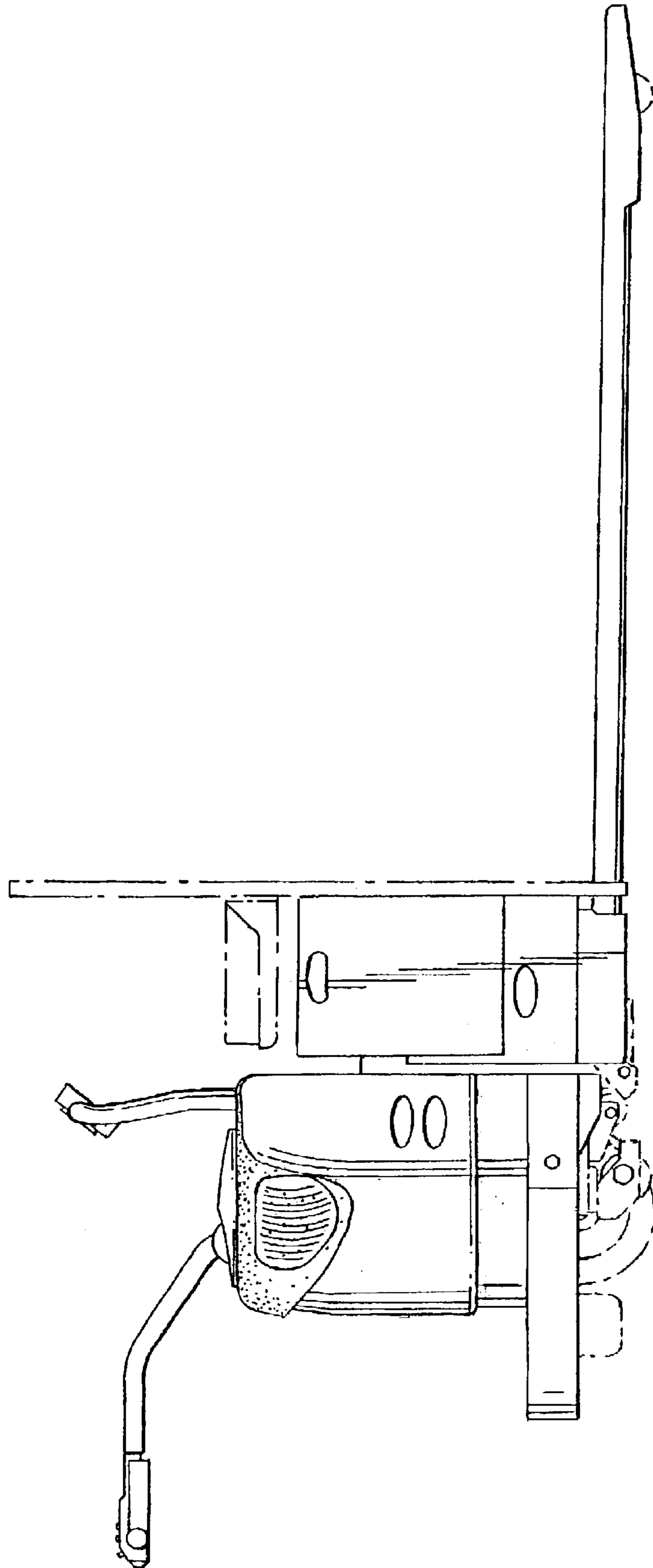


FIG.4

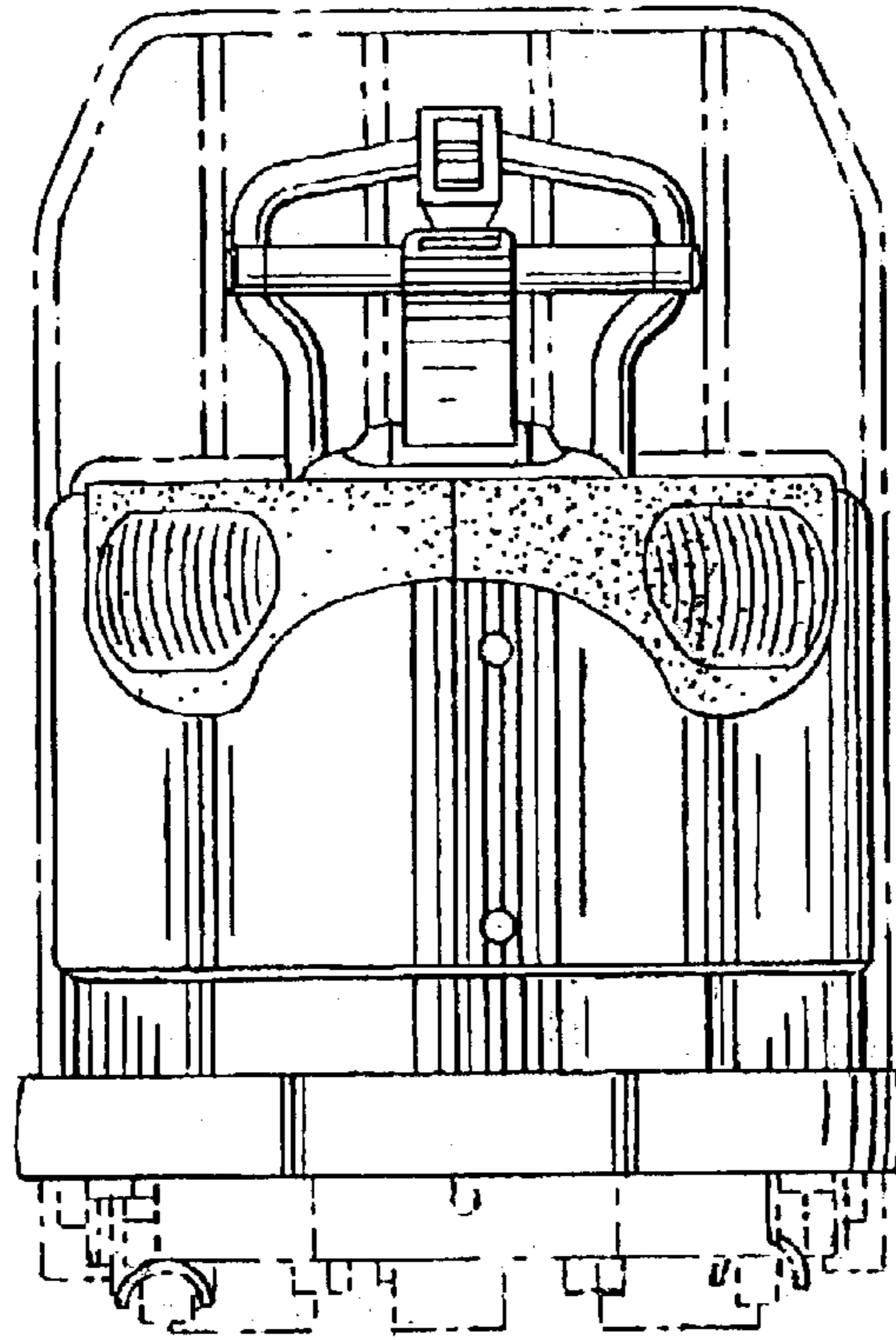


FIG. 5

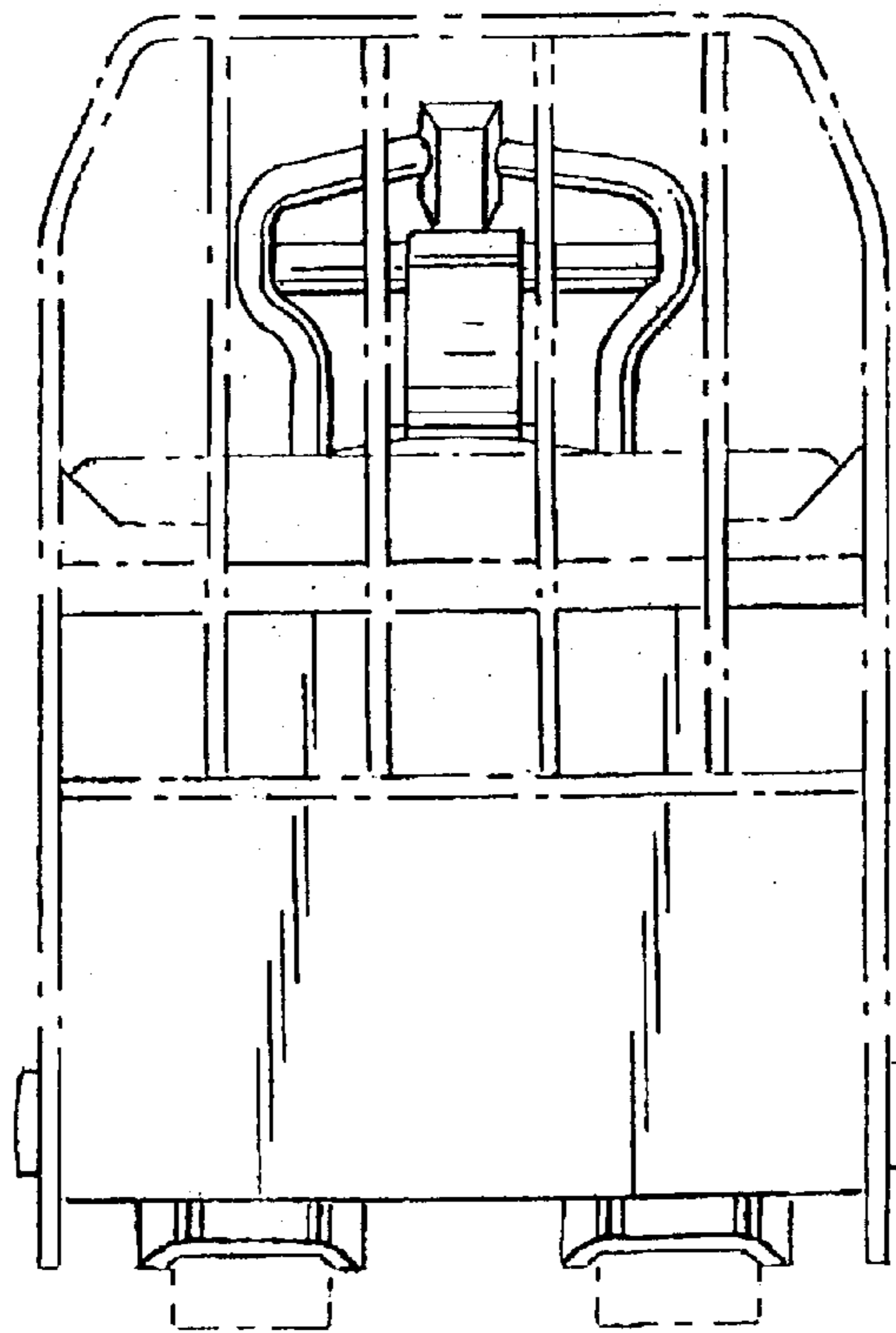


FIG. 6

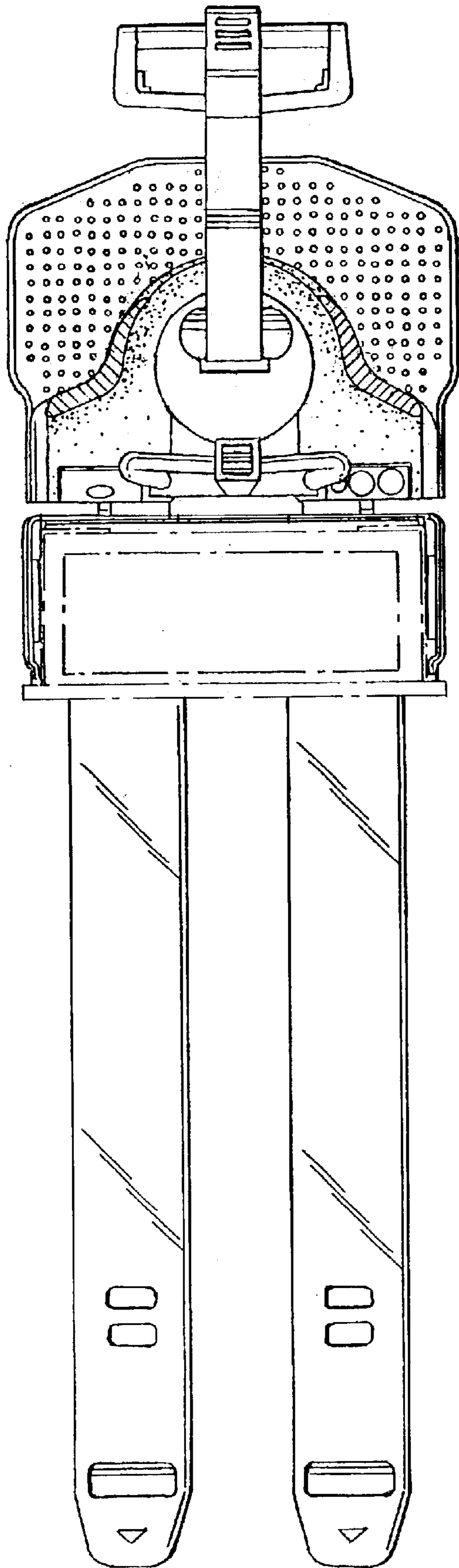


FIG. 7