

US00D492829S1

(12) **United States Design Patent** (10) **Patent No.:** **US D492,829 S**  
**Babkes et al.** (45) **Date of Patent:** **\*\* Jul. 6, 2004**

(54) **SUPPORT PLATE**  
(75) **Inventors:** **Mitchell H. Babkes**, Saugus, CA (US);  
**Dean Tornabene**, Marina Del Rey, CA (US)  
(73) **Assignee:** **Sylmark Holdings Limited**, Dublin (IE)  
(\*\*) **Term:** **14 Years**  
(21) **Appl. No.:** **29/187,196**  
(22) **Filed:** **Jul. 28, 2003**  
(51) **LOC (7) Cl.** ..... **12-02**  
(52) **U.S. Cl.** ..... **D34/27; D34/24**  
(58) **Field of Search** ..... **D34/12-27; 280/30, 280/47.18, 40, 47.24, 47.26, 47.29; 108/44; 182/20, 33.3, 33.4; 297/129; D12/303, 420**

(56) **References Cited**

**U.S. PATENT DOCUMENTS**

118,096 A 8/1871 Bergmann ..... 182/33.4  
432,869 A 7/1890 Fry ..... 182/33.3  
867,754 A 10/1907 Randall ..... 280/30  
1,116,779 A 11/1914 Witt ..... 280/30  
1,221,579 A 4/1917 Olds ..... 280/30  
1,601,250 A 9/1926 Hilderbrand ..... 280/30  
1,925,523 A 9/1933 Cuff et al. .... 224/482  
3,104,889 A 9/1963 Branch ..... 280/30  
D204,998 S 6/1966 Klein  
3,785,669 A 1/1974 Doheny ..... 280/47.18  
3,954,155 A 5/1976 Guidara ..... 182/20  
4,106,590 A 8/1978 Tarran ..... 182/20  
4,235,449 A 11/1980 Tarran ..... 280/30  
4,258,827 A 3/1981 Klose ..... 182/33.3  
4,341,393 A 7/1982 Gordon et al. .... 280/47.26  
4,456,094 A 6/1984 Brander ..... 182/20  
4,494,626 A 1/1985 Ast ..... 182/20  
D286,344 S 10/1986 Hughes, Jr. .... D12/420  
4,635,956 A 1/1987 Morrissette ..... 280/652  
4,730,760 A 3/1988 Keller ..... 224/556  
4,798,304 A 1/1989 Rader ..... 220/6  
4,824,167 A 4/1989 King ..... 297/129  
4,846,486 A 7/1989 Hobson ..... 280/47.25  
4,887,837 A 12/1989 Bonewicz, Jr. et al. .... 280/654

D315,082 S 3/1991 Liberty, II ..... D7/601  
5,064,020 A 11/1991 Eagleson ..... 182/20  
5,161,811 A 11/1992 Cheng ..... 280/30  
5,306,027 A 4/1994 Cheng ..... 280/30  
5,382,032 A 1/1995 Wilson ..... 280/30  
5,427,393 A 6/1995 Kriebel ..... 280/47.28  
5,468,005 A 11/1995 Yang ..... 280/40  
5,507,508 A 4/1996 Liang ..... 280/37  
5,562,299 A 10/1996 Morrissette ..... 280/652  
5,669,659 A 9/1997 Dittmer ..... 297/129  
5,722,586 A 3/1998 Hansen ..... 108/44  
D411,679 S 6/1999 Hsieh et al. .... D34/24  
6,158,749 A 12/2000 Roudebush ..... 280/47.16  
6,173,811 B1 1/2001 Tornabene et al. .... 182/20  
6,196,560 B1 3/2001 Ohlsson ..... 280/30  
D440,372 S 4/2001 Williams ..... D34/27  
D445,076 S 7/2001 Weinerman ..... D12/303  
D449,264 S 10/2001 Weinerman ..... D12/203  
6,308,967 B1 10/2001 Stallbaumer et al. .... 280/47.18  
6,328,319 B1 12/2001 Stahler, Sr. .... 280/47.18  
6,328,330 B1 12/2001 Haaser ..... 280/645  
D453,602 S 2/2002 Chang ..... D34/24  
6,390,495 B1 5/2002 Cates ..... 280/652  
6,471,002 B1 10/2002 Weinerman ..... 182/91  
6,481,727 B1 11/2002 Stallbaumer ..... 280/47.24  
6,505,707 B1 1/2003 Berry ..... 182/20  
D475,167 S 5/2003 Hailston ..... D34/27  
6,616,153 B1 9/2003 Matre et al. .... 280/47.29  
2001/0045718 A1 11/2001 Boirum ..... 280/47.26  
2002/0073899 A1 6/2002 Chen ..... 108/44

*Primary Examiner*—Kay H. Chin  
(74) *Attorney, Agent, or Firm*—Kathy Mojibi Kavcioglu

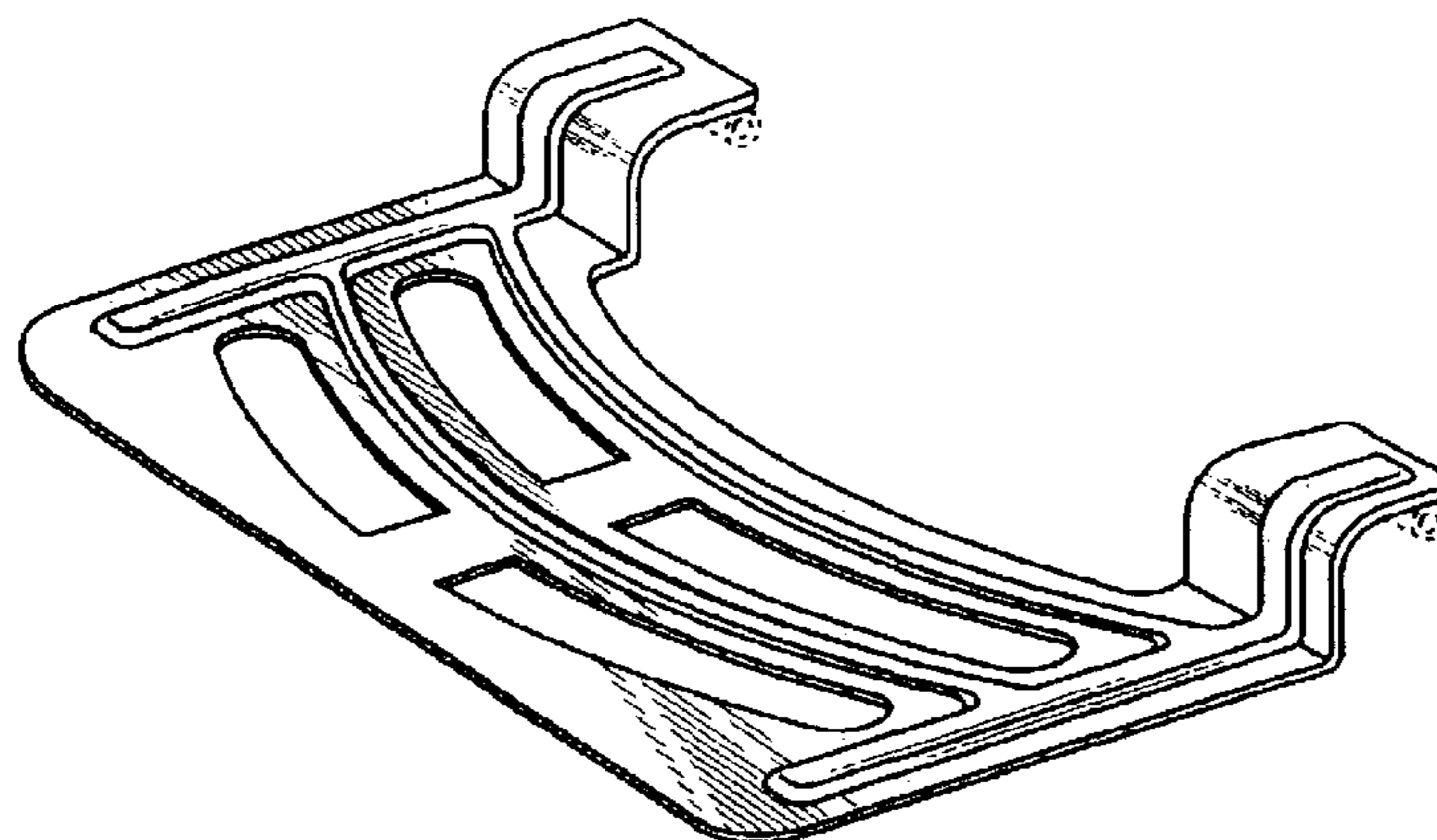
(57) **CLAIM**

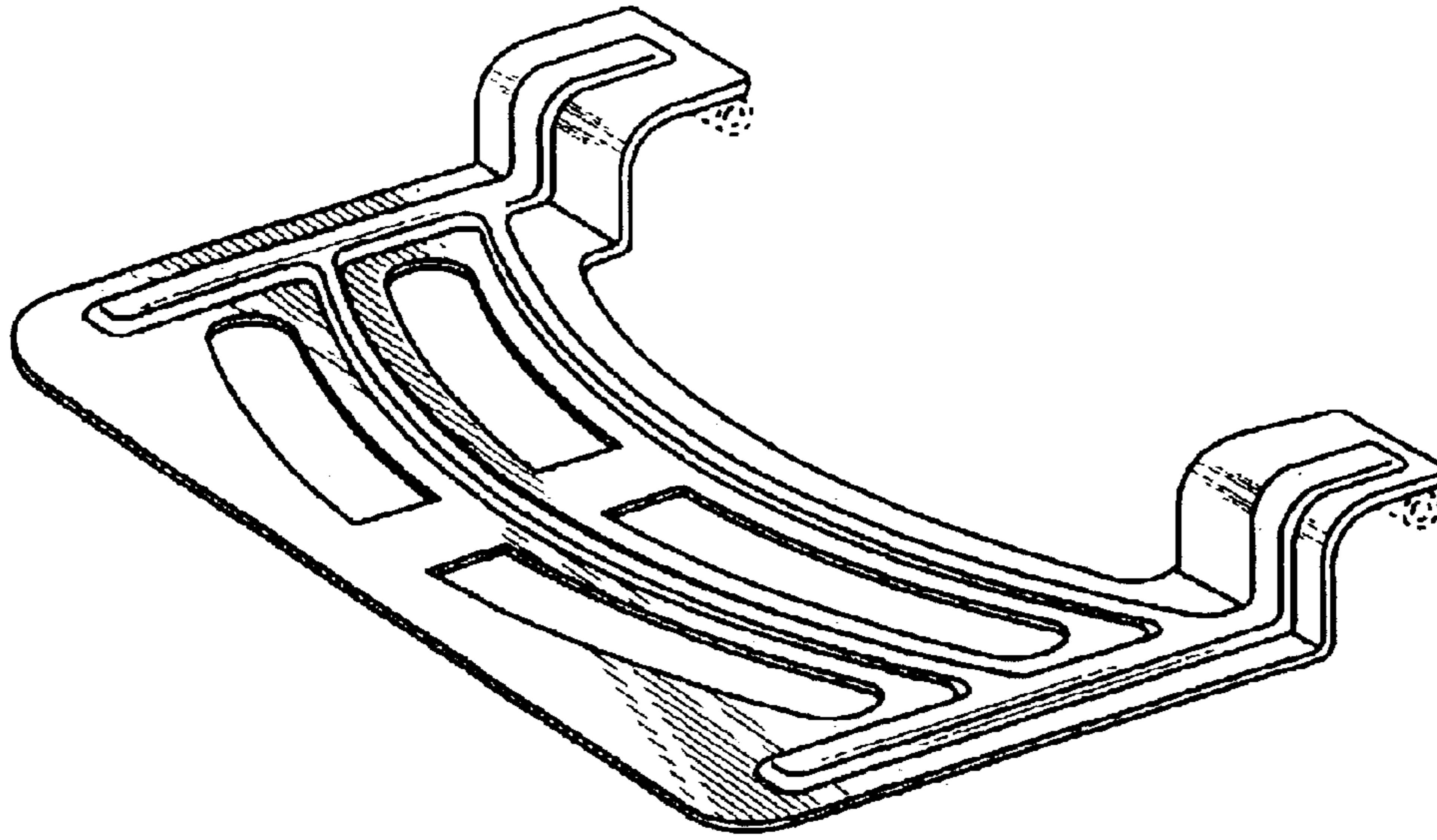
The ornamental design for a support plate, as shown and described.

**DESCRIPTION**

FIG. 1 is a perspective view of a support plate showing our new design; the broken lines are for illustrative purposes only and form no part of the claimed design;  
FIG. 2 is a left side view thereof;  
FIG. 3 is a right side view thereof;  
FIG. 4 is front view thereof;  
FIG. 5 is a back side view thereof;  
FIG. 6 is a top view thereof; and,  
FIG. 7 is a bottom view thereof.

**1 Claim, 2 Drawing Sheets**





*Fig. 1*



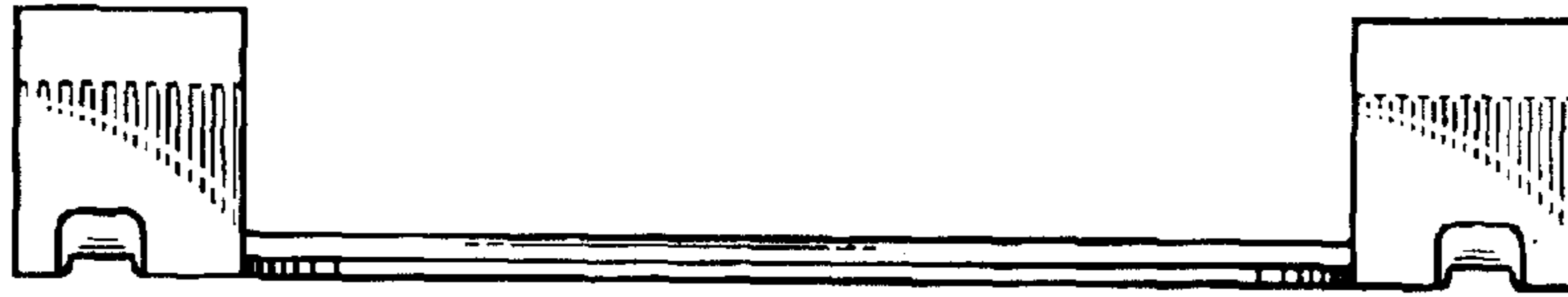
*Fig. 2*



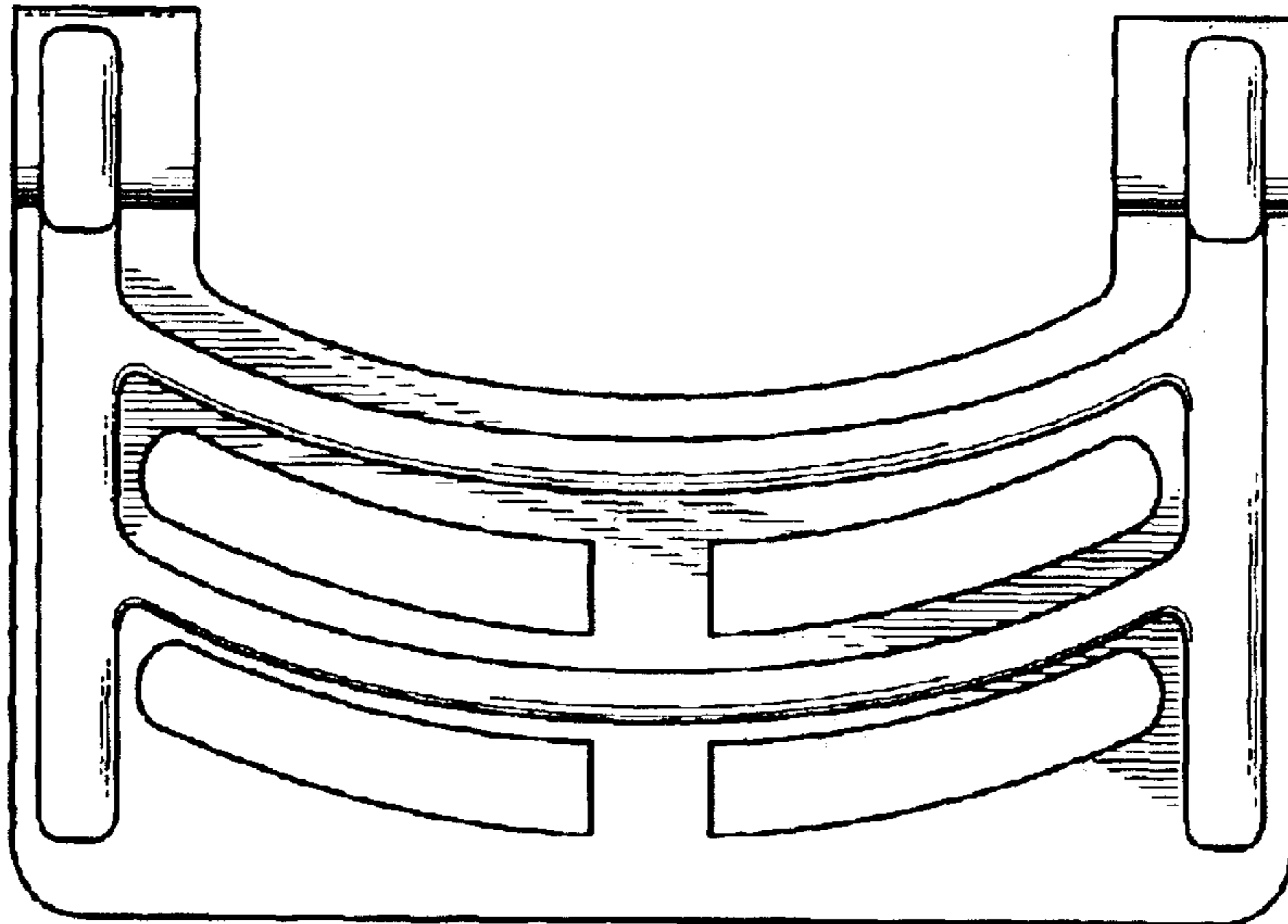
*Fig. 3*



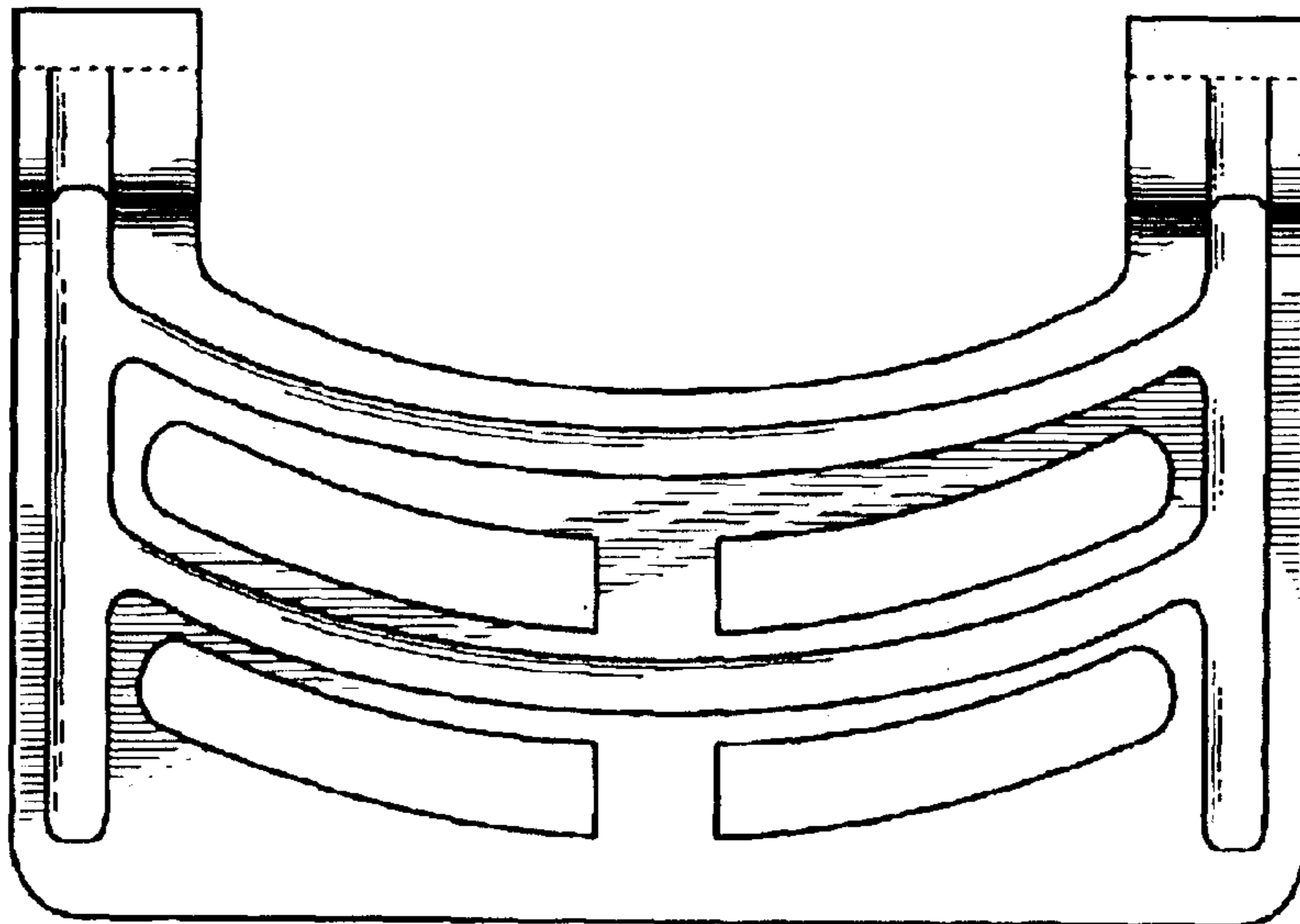
*Fig. 4*



*Fig. 5*



*Fig. 6*



*Fig. 7*