

US00D492825S1

(12) **United States Design Patent**
Pecci et al.

(10) **Patent No.: US D492,825 S**
(45) **Date of Patent: ** *Jul. 6, 2004**

(54) **LEAF RAKE**

(75) Inventors: **Gene L. Pecci**, Novato, CA (US);
Raymond G. Smith, Los Angeles, CA (US)

(73) Assignee: **Laars, Inc.**, Newport Beach, CA (US)

(*) Notice: This patent is subject to a terminal disclaimer.

(**) Term: **14 Years**

(21) Appl. No.: **29/179,703**

(22) Filed: **Apr. 11, 2003**

(51) **LOC (7) Cl.** **08-99**

(52) **U.S. Cl.** **D32/35**

(58) **Field of Search** D22/135; D23/209,
D23/210; D32/35; 15/1.7; 43/7, 11; 210/169,
238, 470, 471, 473, 474, 495, 499, 776

(56) **References Cited**

U.S. PATENT DOCUMENTS

D188,094 S * 6/1960 McWethy D32/35
3,220,037 A * 11/1965 Ruhling 15/1.7
4,106,157 A * 8/1978 Baker 210/470 X
4,198,720 A * 4/1980 Matsumoto 15/1.7

4,225,437 A * 9/1980 Woodard 210/470 X
4,481,117 A * 11/1984 Collins 210/776
4,846,972 A * 7/1989 Anderson 210/238
D330,444 S * 10/1992 Wall et al. D32/35
6,132,604 A * 10/2000 Kirchoff 210/169

* cited by examiner

Primary Examiner—Alan P. Douglas

Assistant Examiner—Lavone D. Tabor

(74) *Attorney, Agent, or Firm*—Buchanan Ingersoll, P.C.

(57) **CLAIM**

The ornamental design for a leaf rake, as shown and described.

DESCRIPTION

FIG. 1 is a perspective view of a leaf rake showing our new design;

FIG. 2 is a front elevational view thereof;

FIG. 3 is a rear elevational view thereof;

FIG. 4 is a right side elevational view thereof;

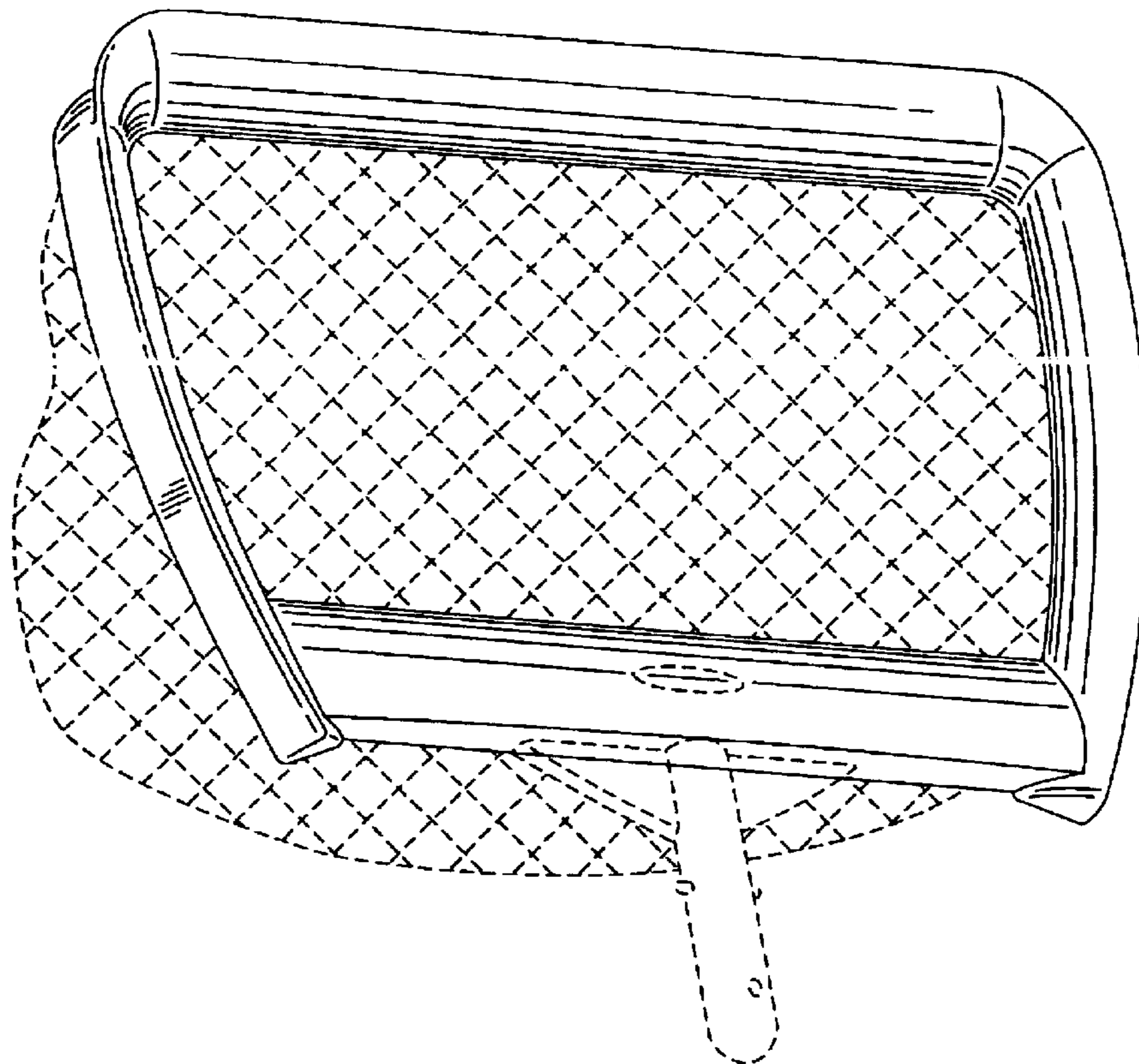
FIG. 5 is a left side elevational view thereof;

FIG. 6 is a top plan view thereof; and,

FIG. 7 is a bottom plan view thereof.

The phantom lines in FIGS. 1–7, including, but not limited to, the mesh bag, are for illustrative purposes only and form no part of the design.

1 Claim, 7 Drawing Sheets



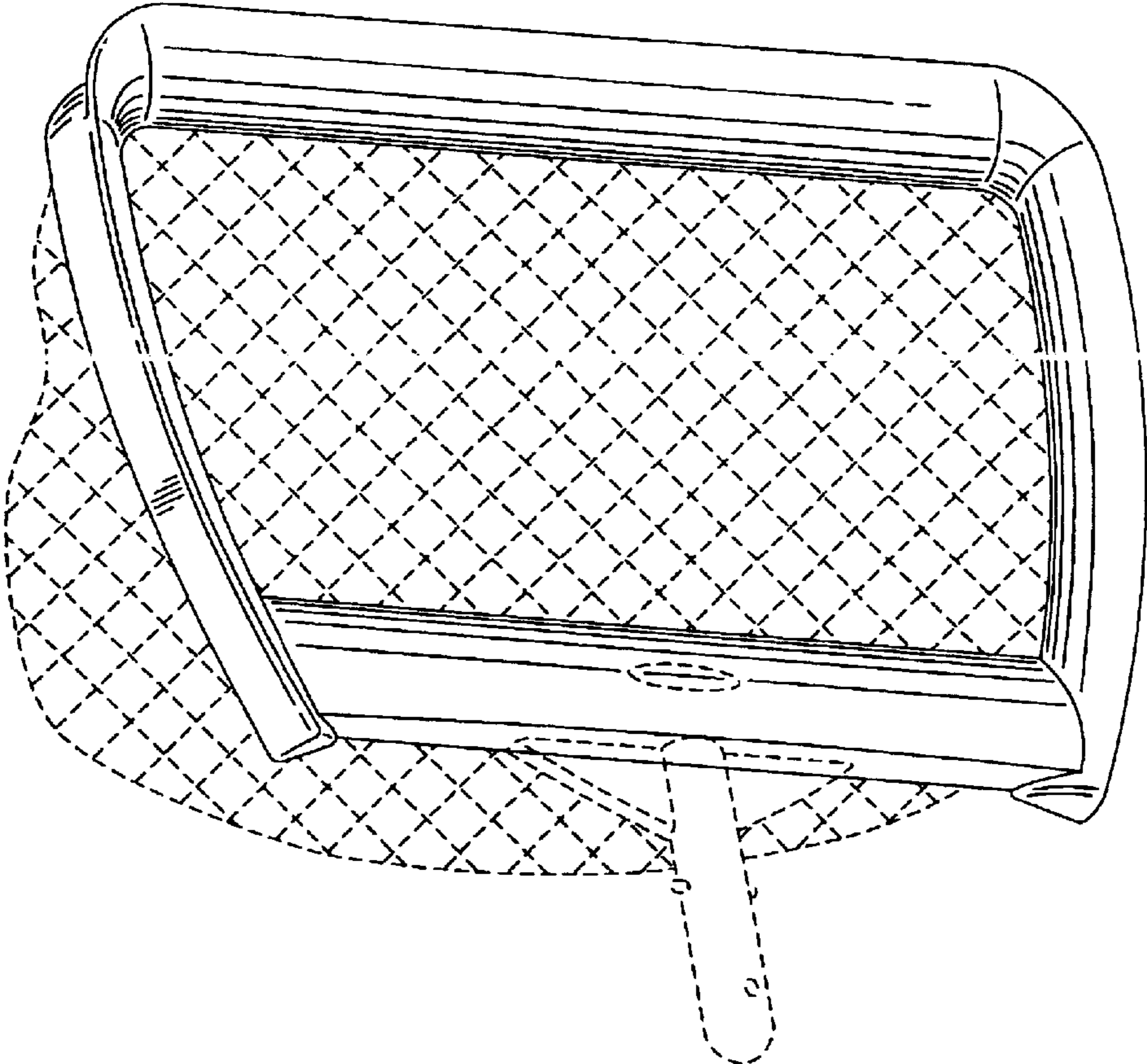


Fig. 1

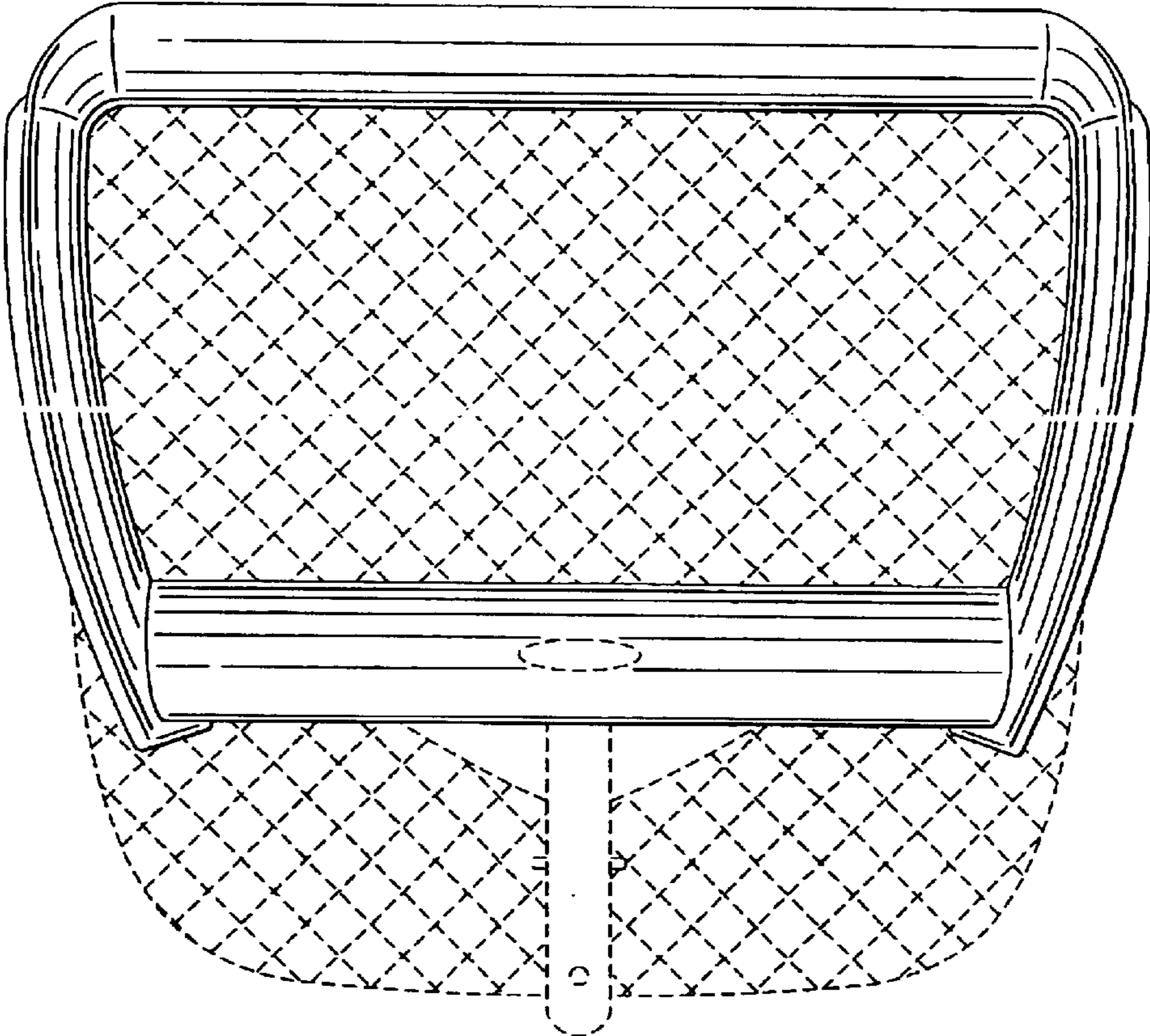


Fig. 2

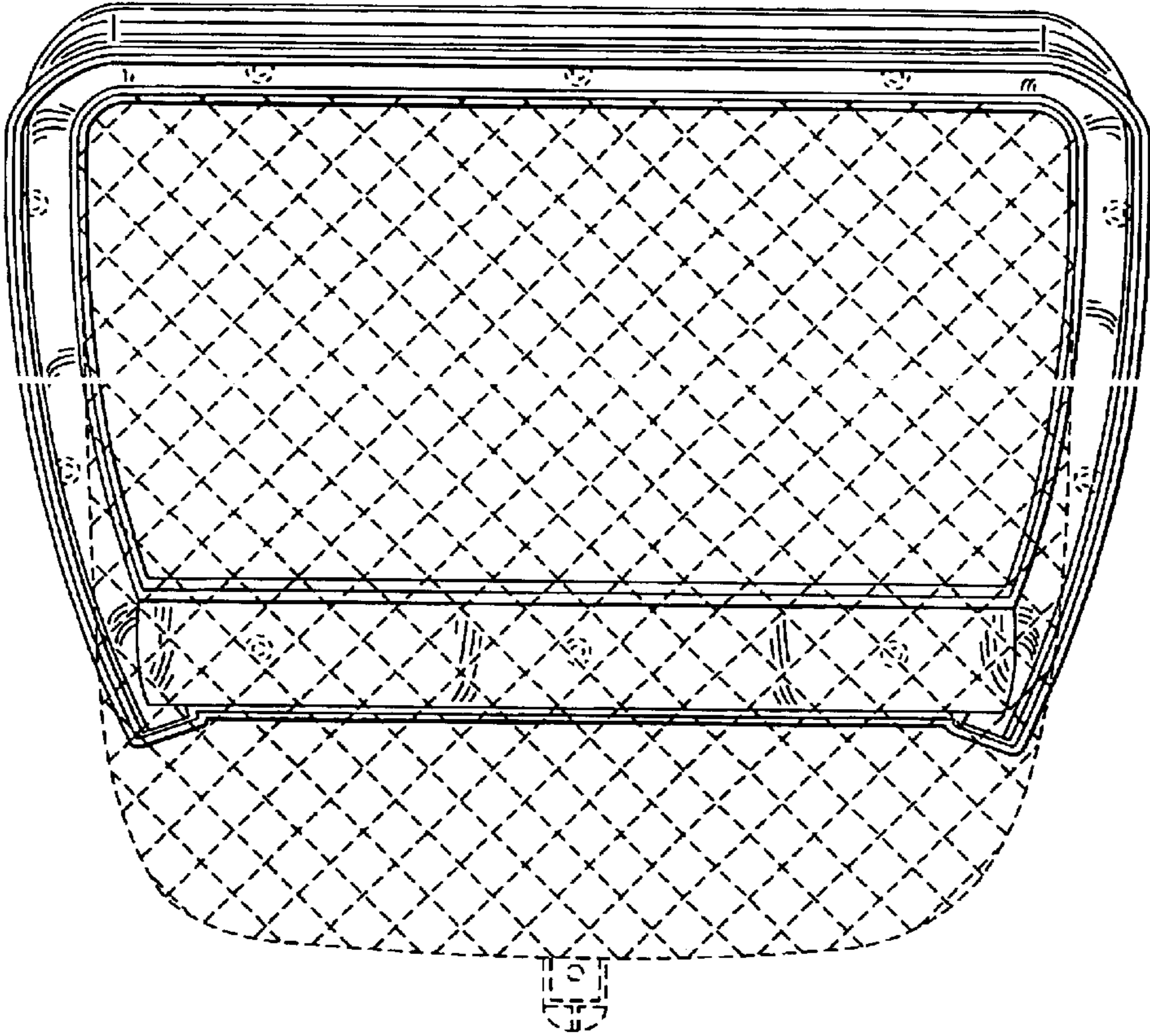


Fig. 3

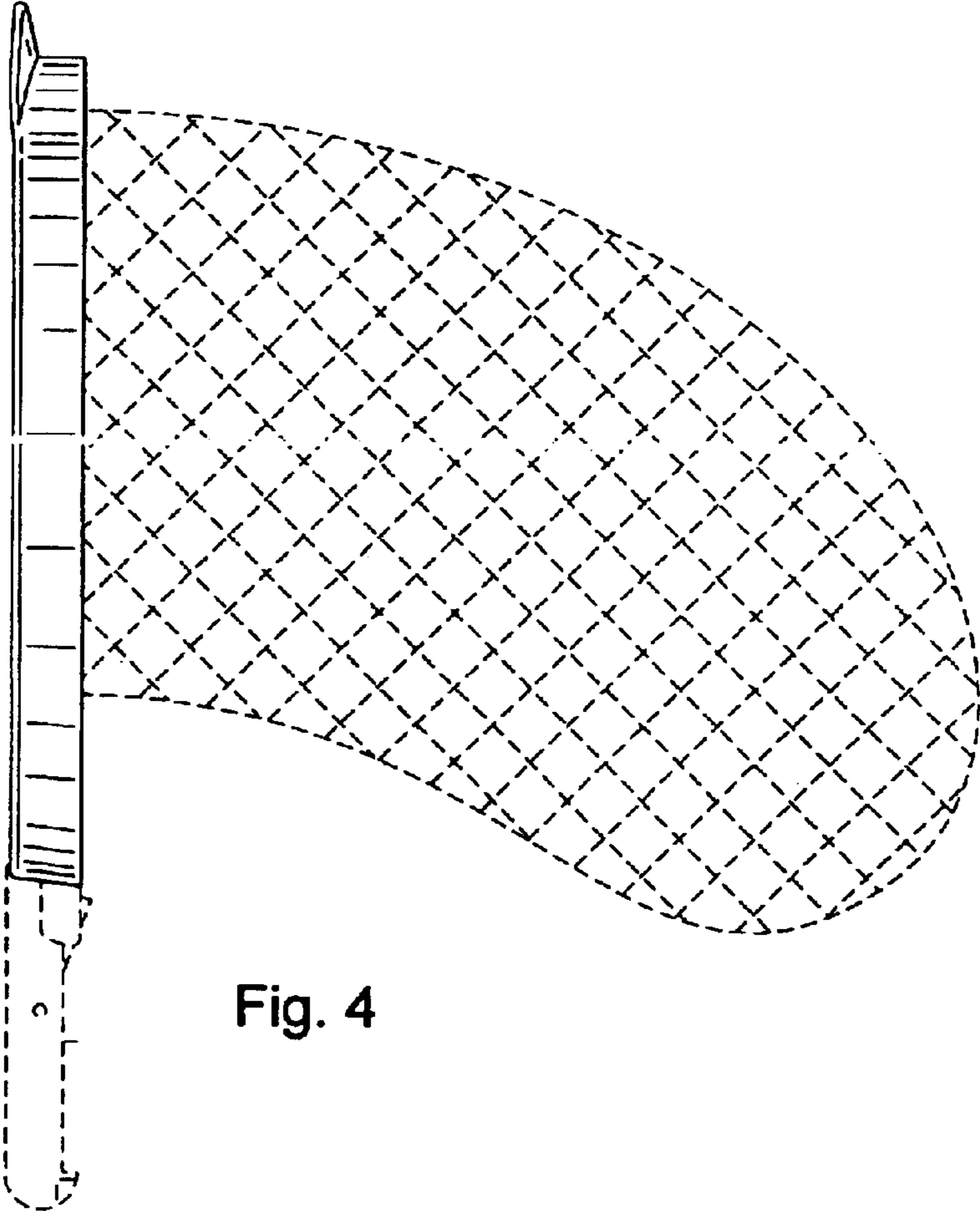


Fig. 4

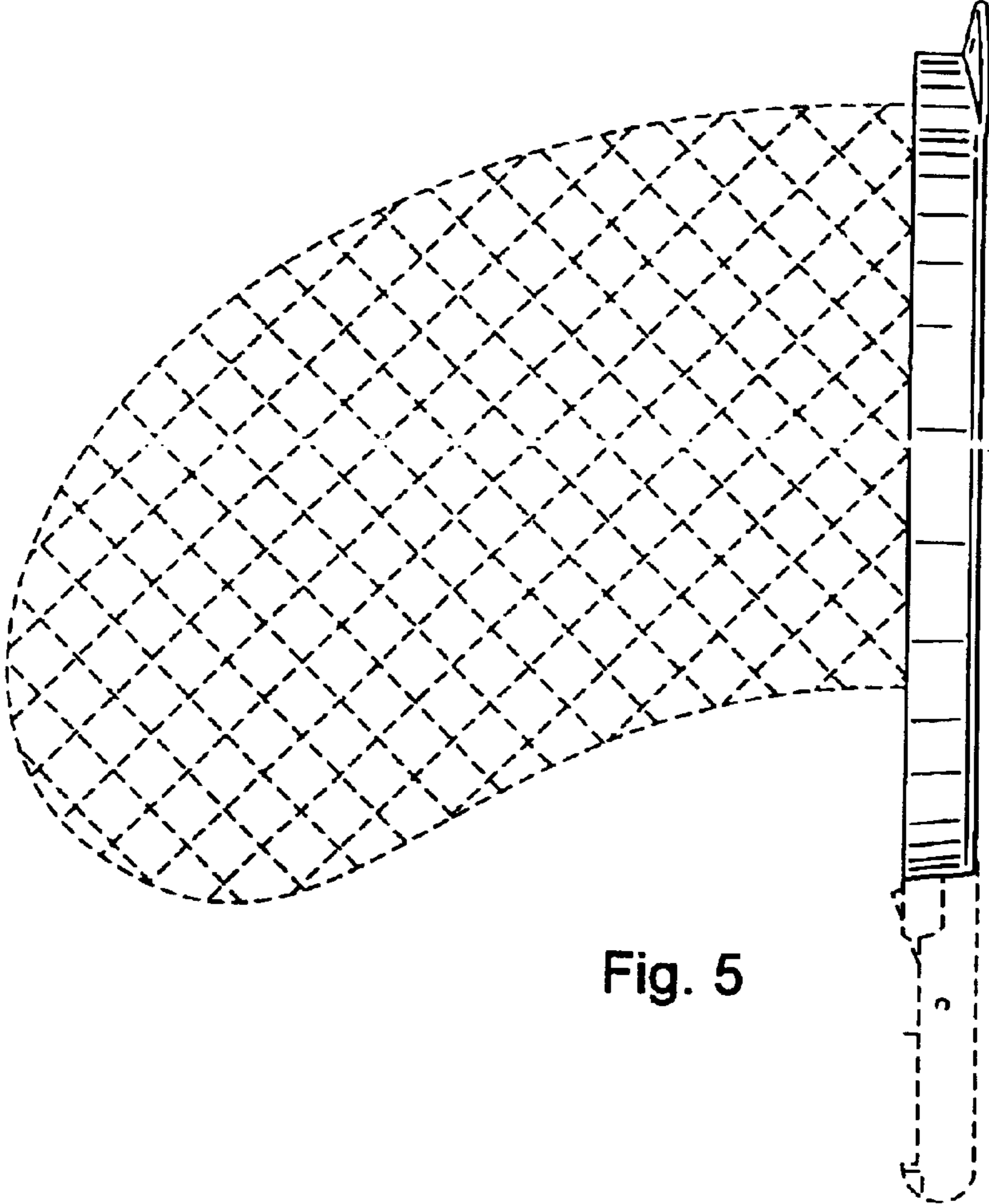


Fig. 5

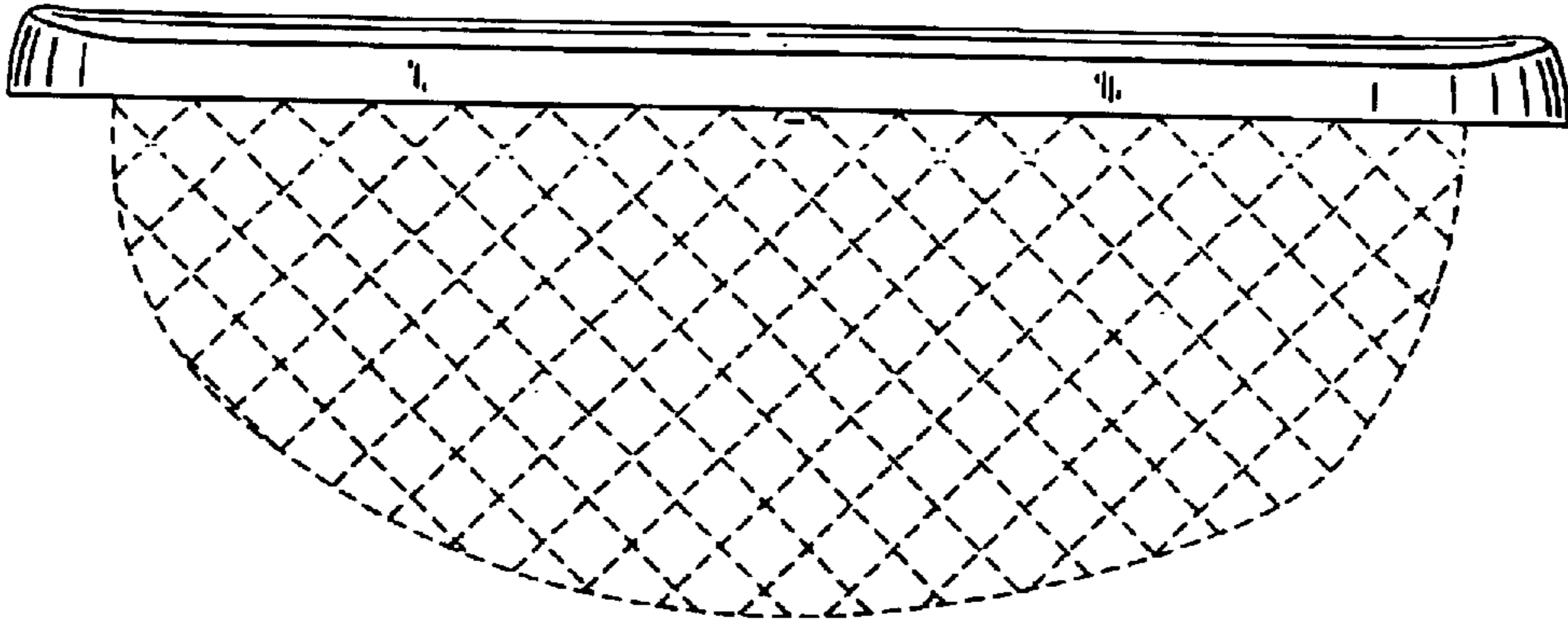


Fig. 6

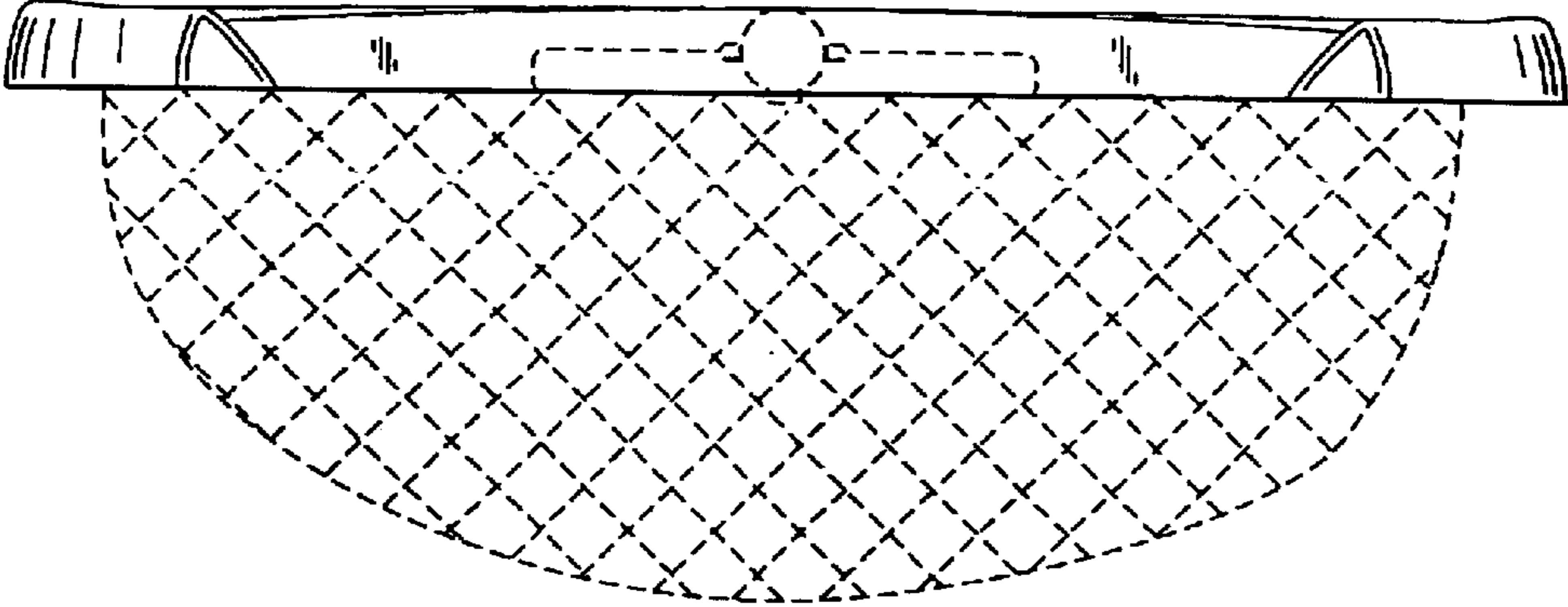


Fig. 7