

US00D492824S1

(12) **United States Design Patent**
Tomasiak et al.

(10) **Patent No.:** **US D492,824 S**
(45) **Date of Patent:** **** Jul. 6, 2004**

- (54) **COMBINATION WET AND DRY VACUUM APPLIANCE**
- (75) Inventors: **Mark J. Tomasiak**, O'Fallon, MO (US); **Stuart V. Holsten**, O'Fallon, MO (US); **Kiyoshi Hoshino**, Chesterfield, MO (US)
- (73) Assignee: **Emerson Electric Co.**, St. Louis, MO (US)

6,055,700 A	5/2000	Holsten et al.	
6,158,083 A	12/2000	Holsten	
D438,353 S	2/2001	Hoshino et al.	
D443,739 S	6/2001	Young et al.	
D447,842 S	9/2001	Griffin	
6,385,809 B1	5/2002	Martin et al.	
D470,279 S	2/2003	Griffin et al.	
6,543,085 B2 *	4/2003	Holsten et al. 15/410
D479,023 S *	8/2003	Holsten et al. D32/23

* cited by examiner

(**) Term: **14 Years**

Primary Examiner—Ruth McInroy

(21) Appl. No.: **29/174,817**

(74) *Attorney, Agent, or Firm*—Howrey Simon Arnold & White LLP

(22) Filed: **Jan. 24, 2003**

(57) **CLAIM**

(51) **LOC (7) Cl.** **15-05**

The ornamental design for a combination wet and dry vacuum appliance, as shown and described.

(52) **U.S. Cl.** **D32/23**

DESCRIPTION

(58) **Field of Search** D32/21, 23–24, D32/31, 25, 17–18; 15/327.1, 327.2, 327.3, 327.4, 327.5, 327.6, 327.7, 321, 323, 353, 344, 329, 410

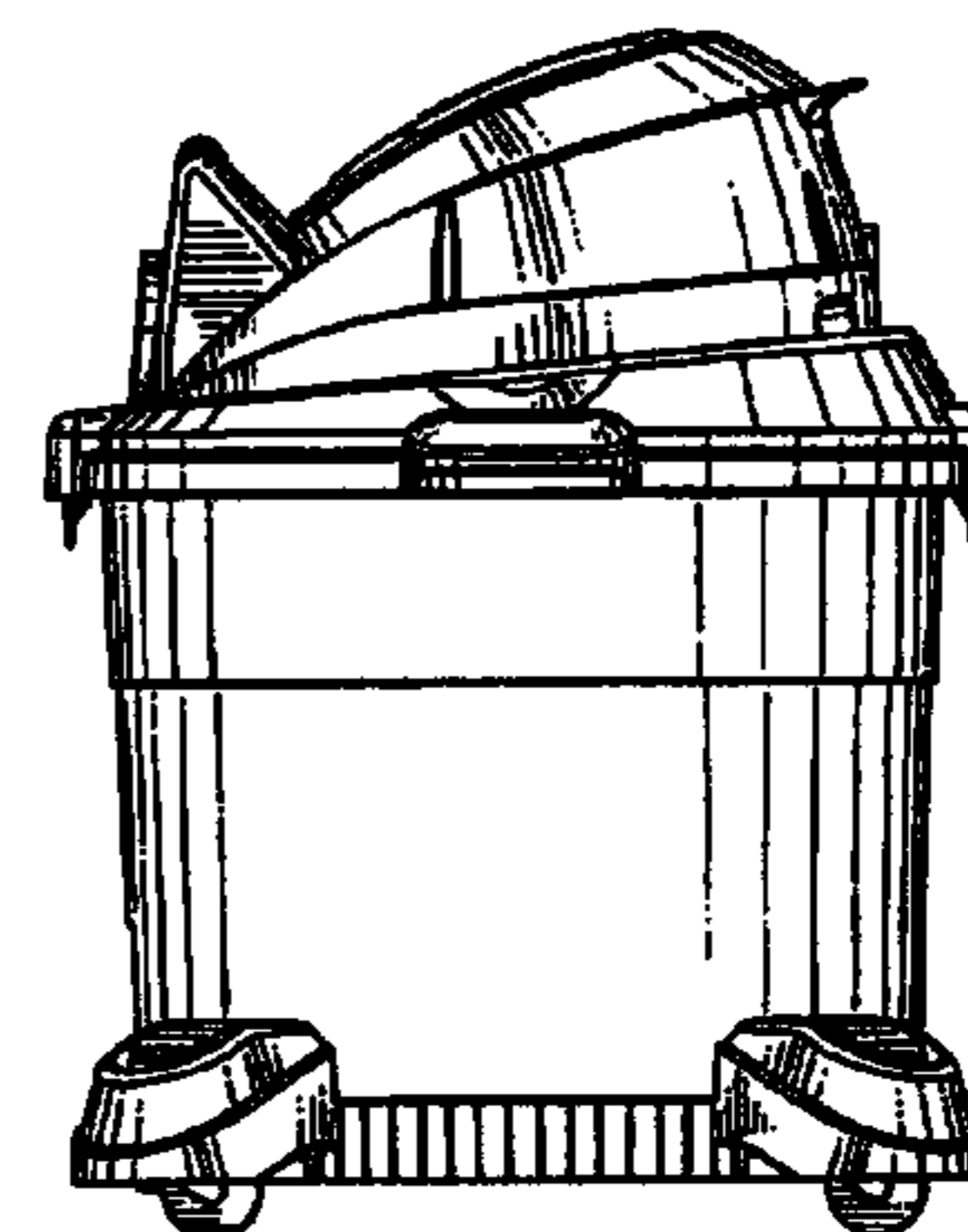
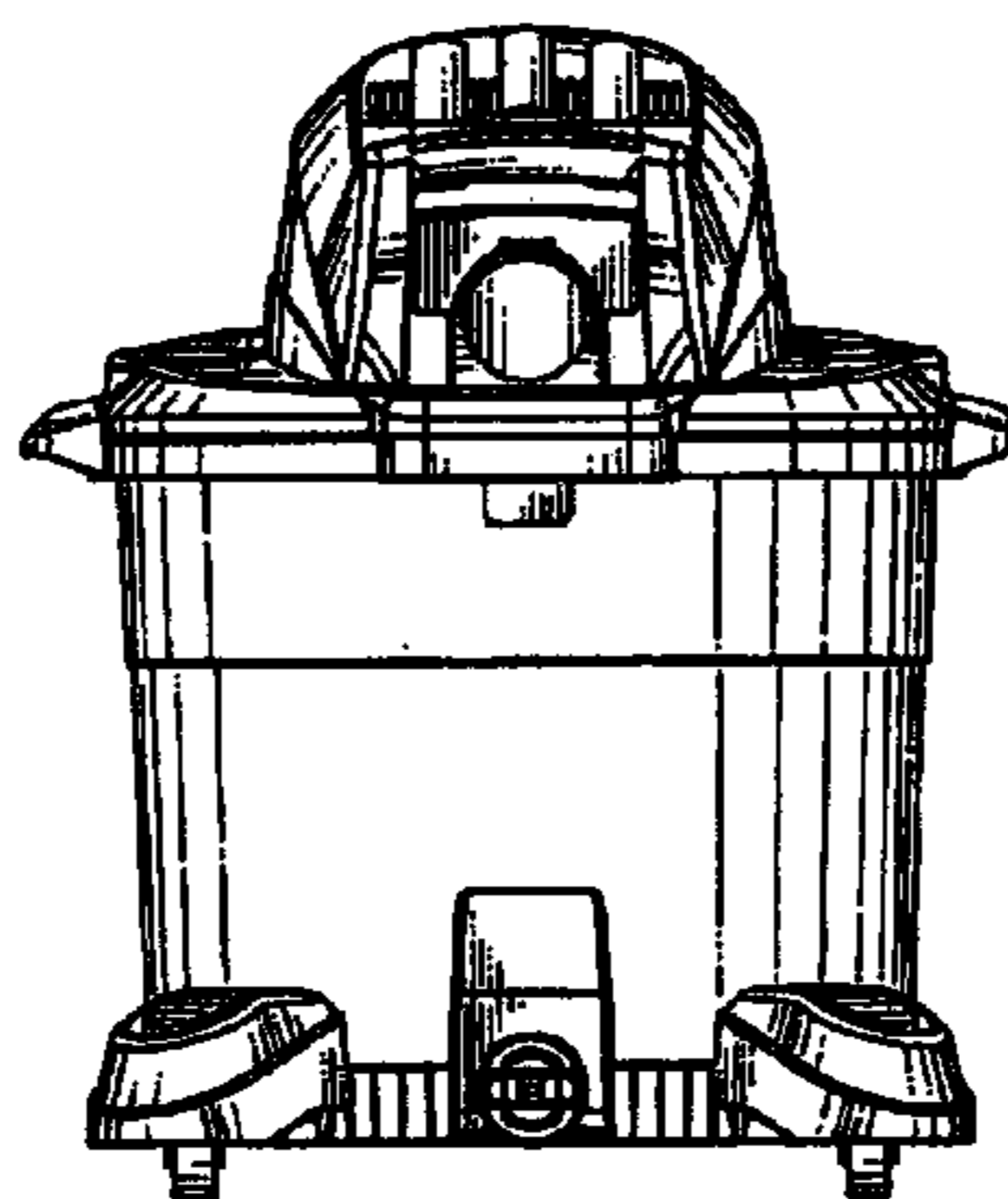
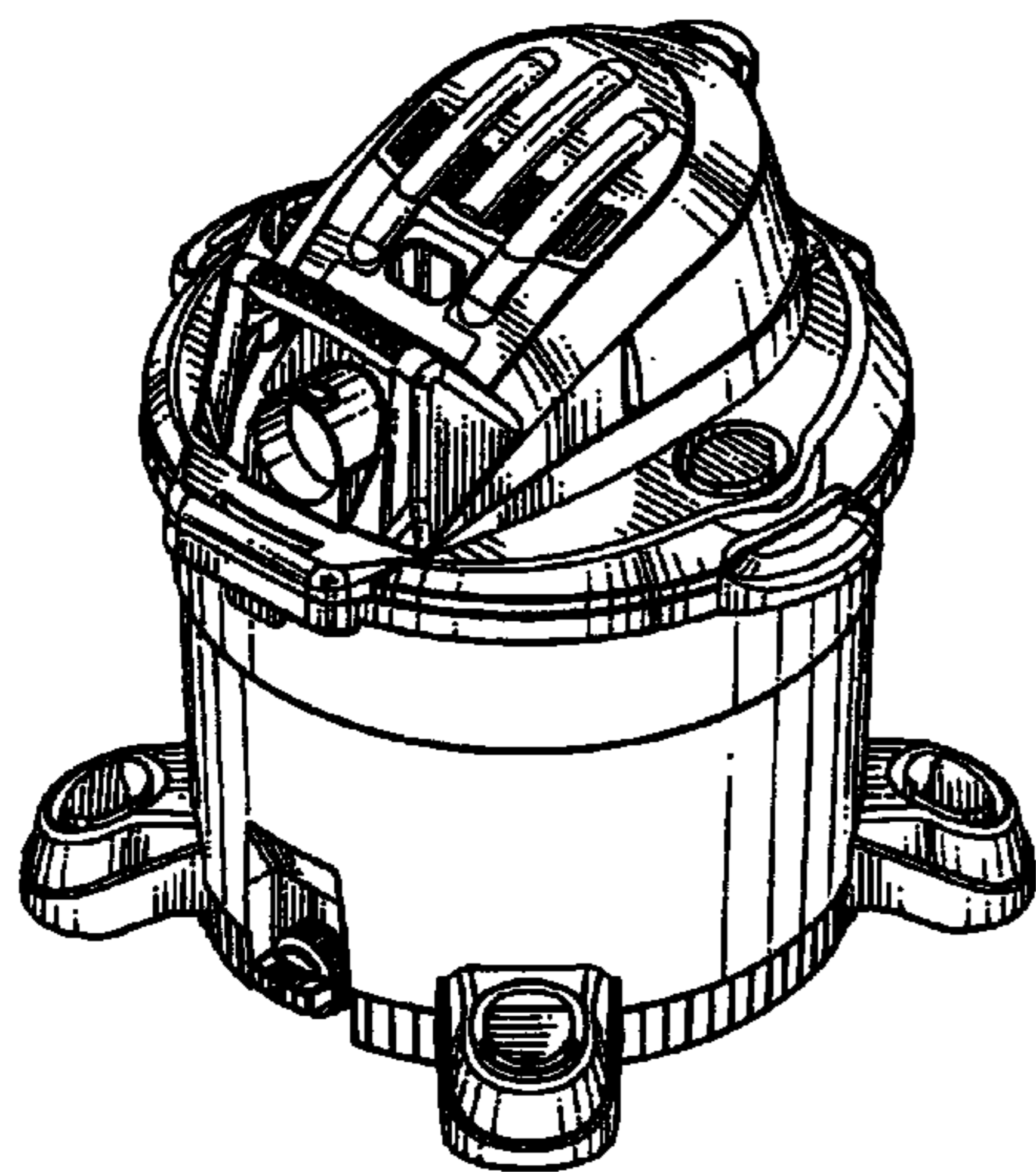
FIG. 1 is a perspective view of the combination wet and dry vacuum appliance, showing our new design;
FIG. 2 is a front view;
FIG. 3 is a side view;
FIG. 4 is a back view;
FIG. 5 is a side view showing the side opposite that shown in FIG. 3;
FIG. 6 is a top view; and,
FIG. 7 is a bottom view.

(56) **References Cited**

U.S. PATENT DOCUMENTS

D357,773 S *	4/1995	Wareham et al.	D32/23
D361,179 S *	8/1995	Moine et al.	D32/23
D362,091 S	9/1995	Tomasiak et al.		
5,606,769 A *	3/1997	Tomasiak et al.	15/327.6
5,611,107 A	3/1997	Tomasiak et al.		

1 Claim, 4 Drawing Sheets



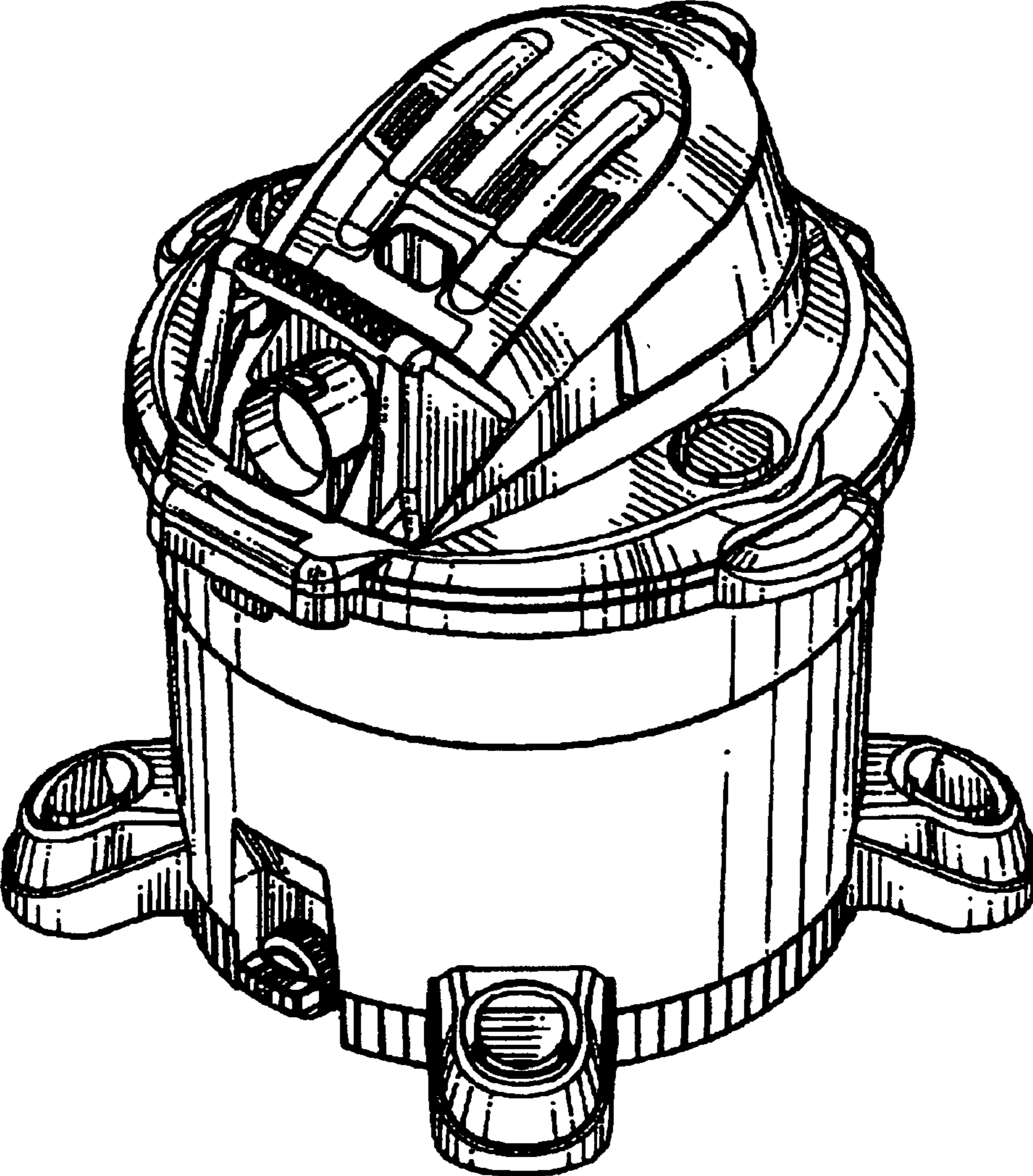


FIG. 1

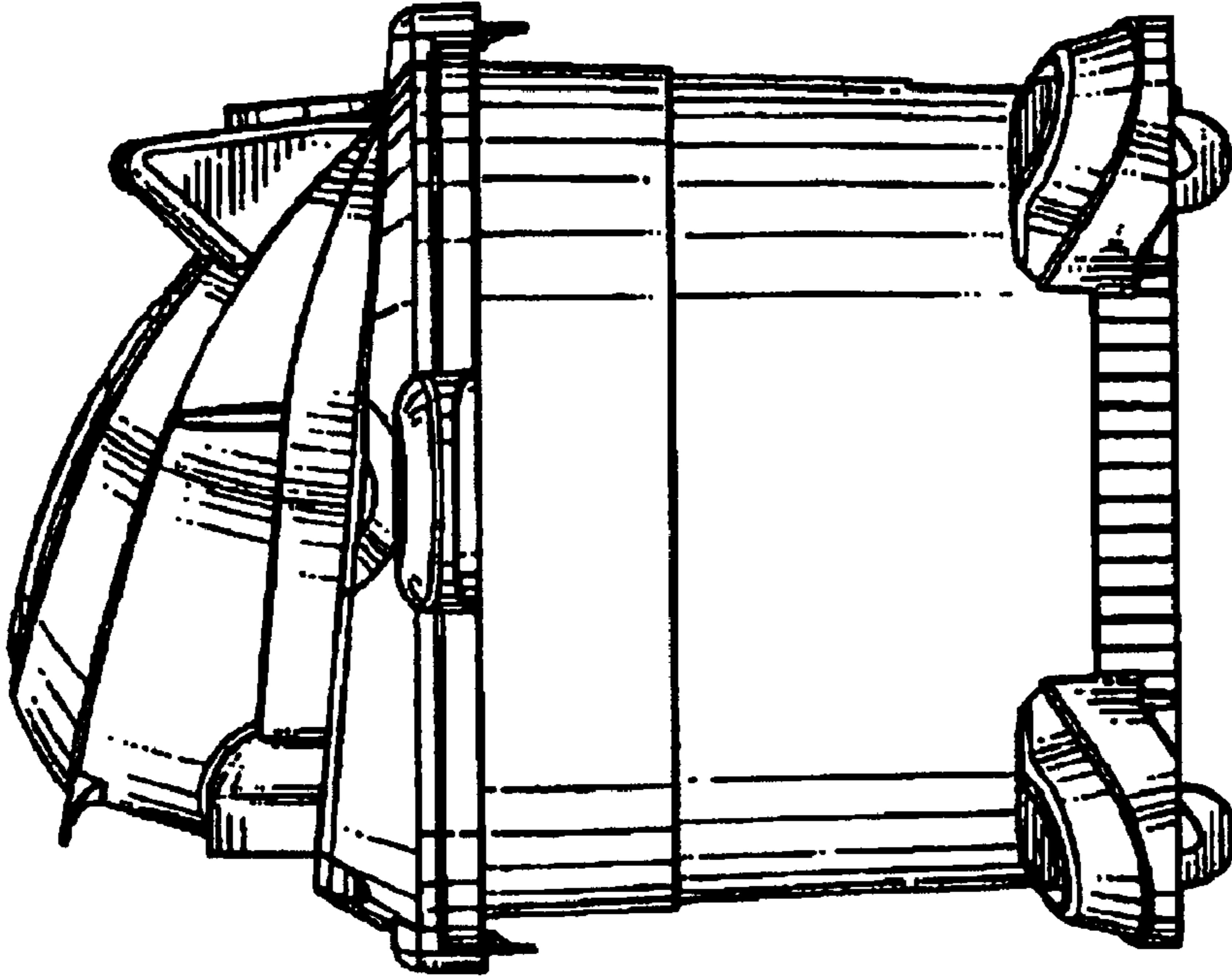


FIG. 3

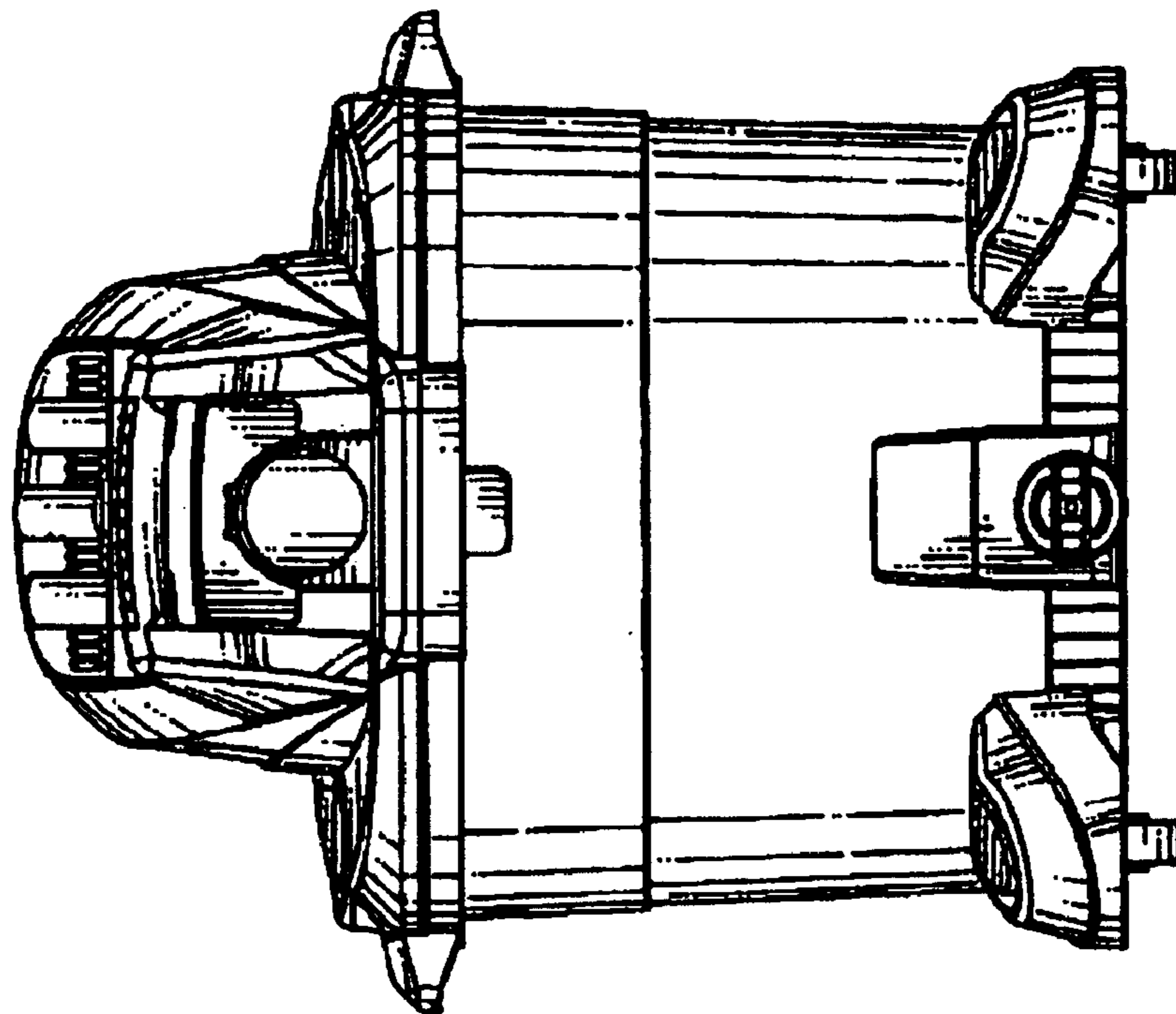


FIG. 2

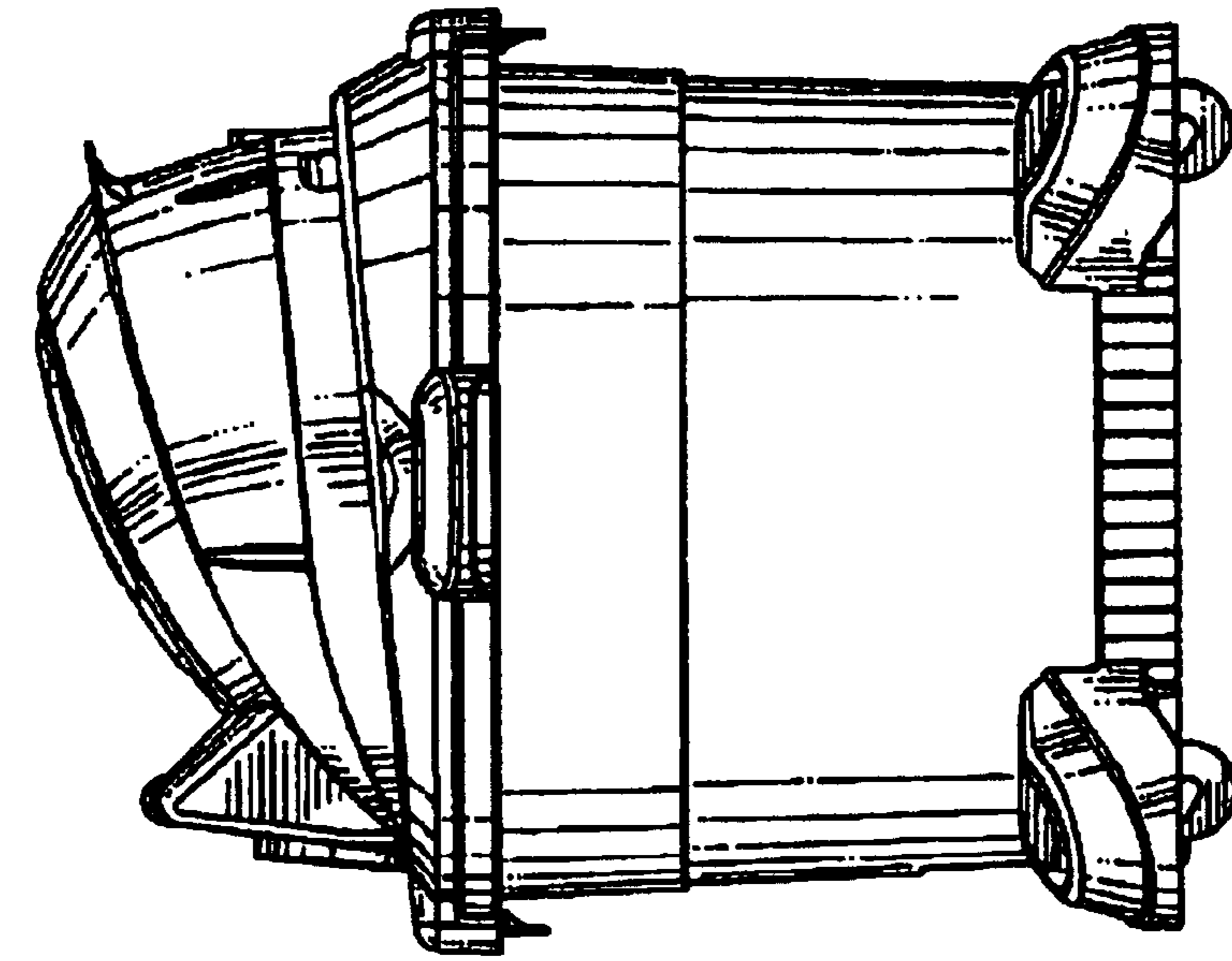


FIG. 4

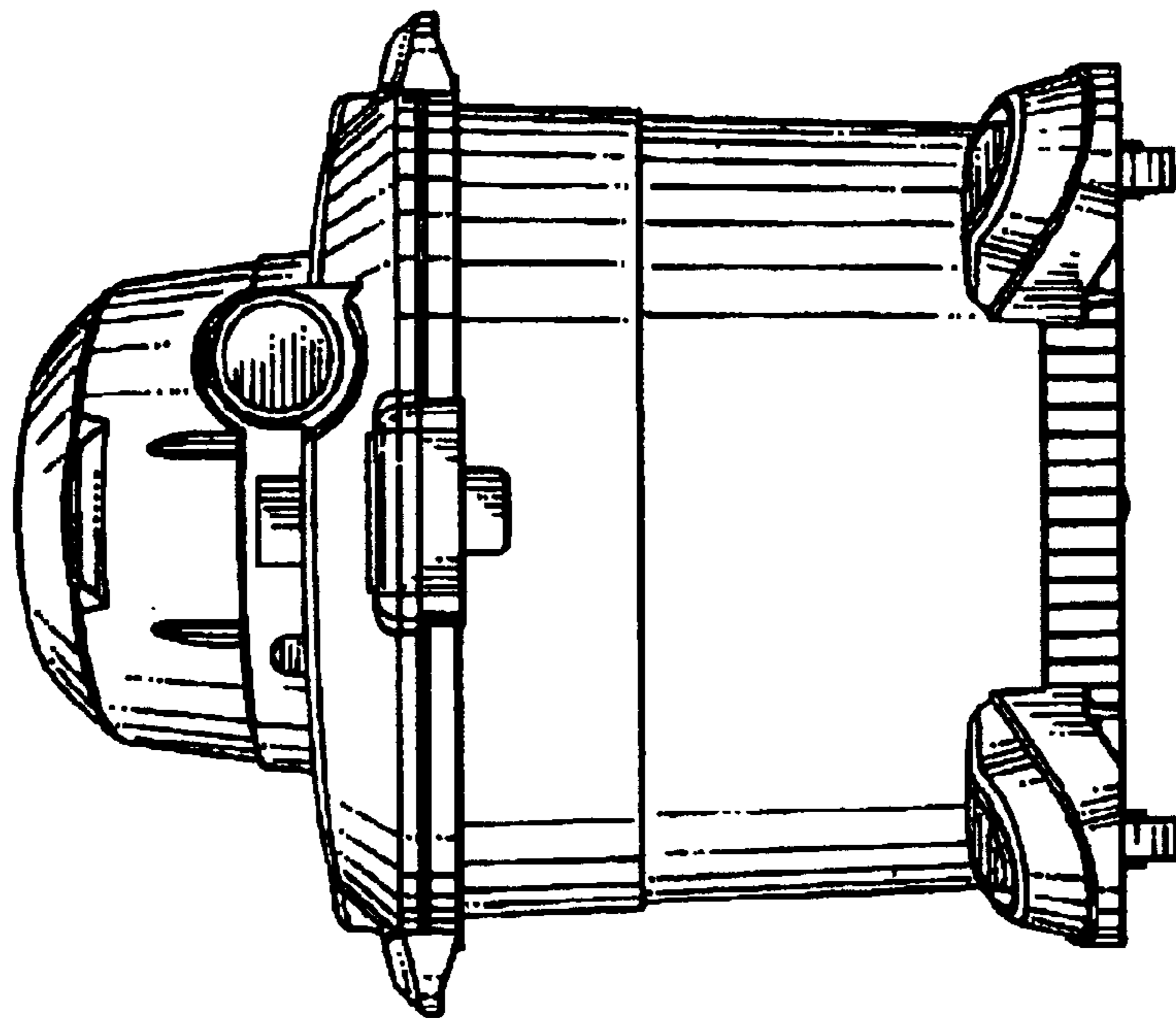


FIG. 5

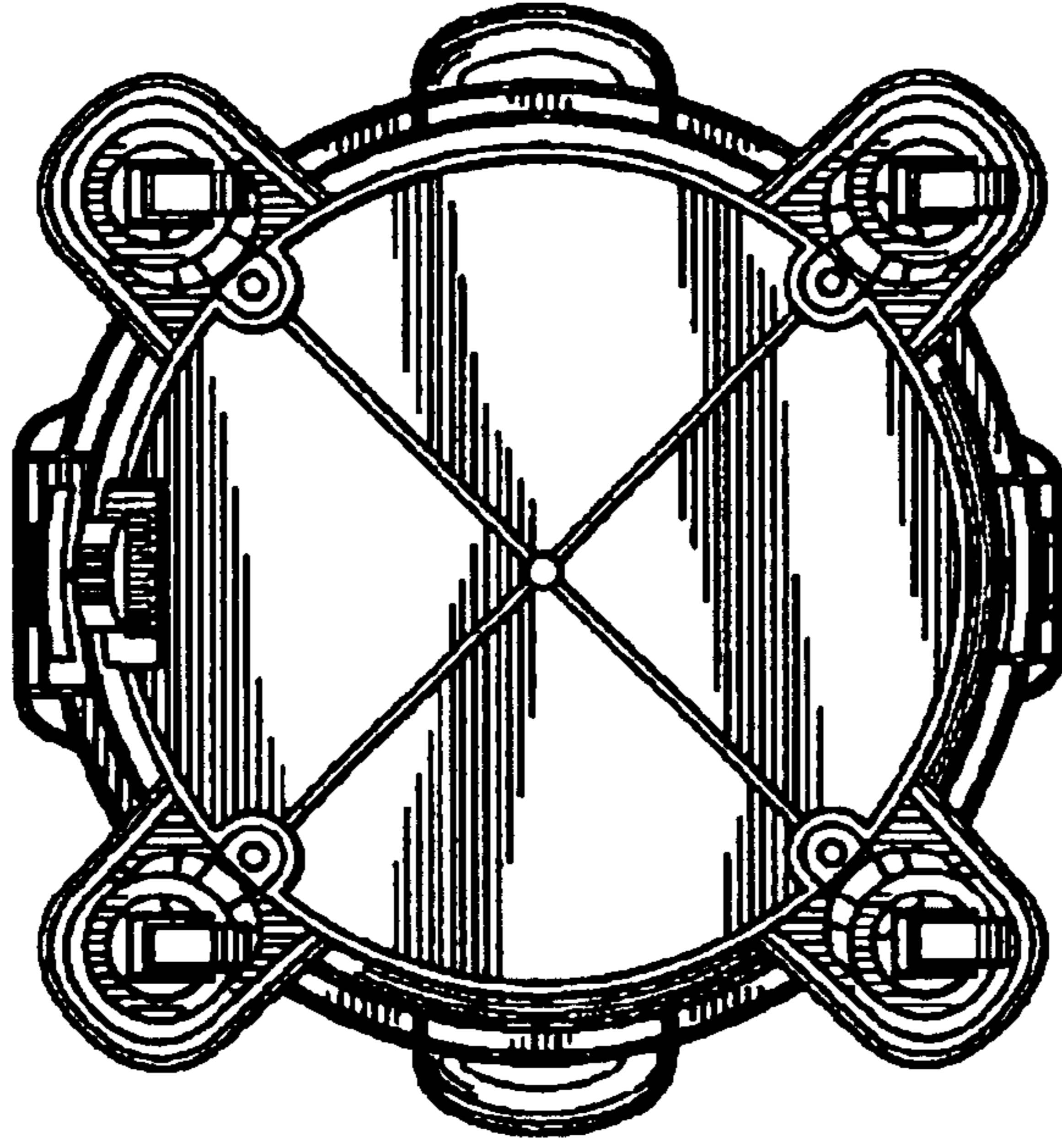


FIG. 7

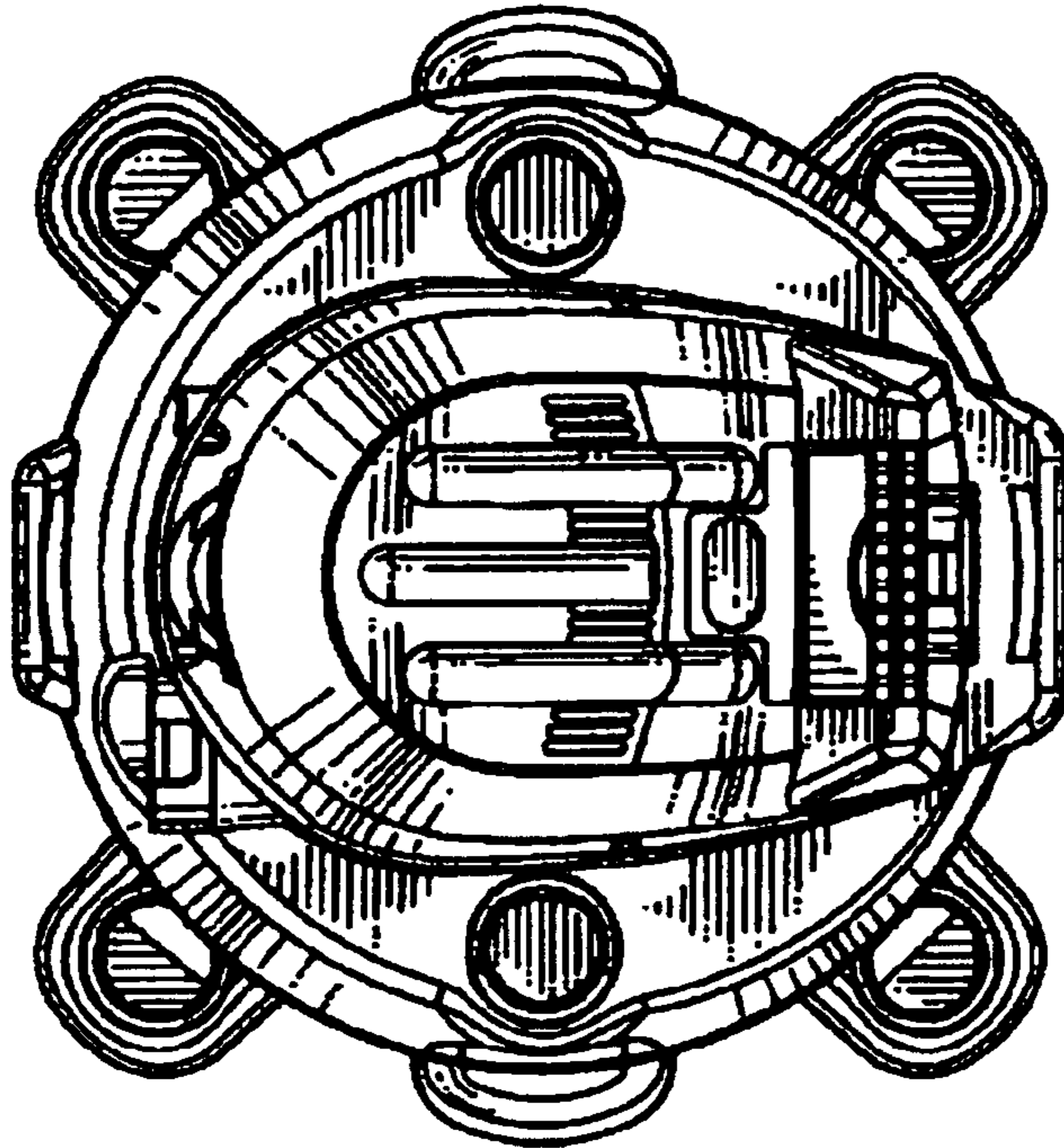


FIG. 6