

US00D492823S1

(12) **United States Design Patent**
Hoshino et al.

(10) **Patent No.: US D492,823 S**
(45) **Date of Patent: ** Jul. 6, 2004**

(54) **COMBINATION WET AND DRY VACUUM APPLIANCE**

(75) Inventors: **Kiyoshi Hoshino**, Chesterfield, MO (US); **Michael F. Martin**, Florissant, MO (US)

(73) Assignee: **Emerson Electric Co.**, St. Louis, MO (US)

(**) Term: **14 Years**

(21) Appl. No.: **29/173,893**

(22) Filed: **Jan. 8, 2003**

(51) **LOC (7) Cl.** **15-05**

(52) **U.S. Cl.** **D32/23**

(58) **Field of Search** D32/21, 23-24, D32/31, 25, 17-18; 15/327.1, 327.2, 327.3, 327.4, 327.5, 327.6, 327.7, 321, 323, 353, 344, 329, 410

(56) **References Cited**

U.S. PATENT DOCUMENTS

D357,773 S * 4/1995 Wareham et al. D32/23

D361,179 S * 8/1995 Moine et al. D32/23
5,606,769 A * 3/1997 Tomasiak et al. 15/327.6
6,543,085 B2 * 4/2003 Holsten et al. 15/410
D479,023 S * 8/2003 Holsten et al. D32/23

* cited by examiner

Primary Examiner—Ruth McInroy

(74) *Attorney, Agent, or Firm*—Howrey Simon Arnold & White LLP

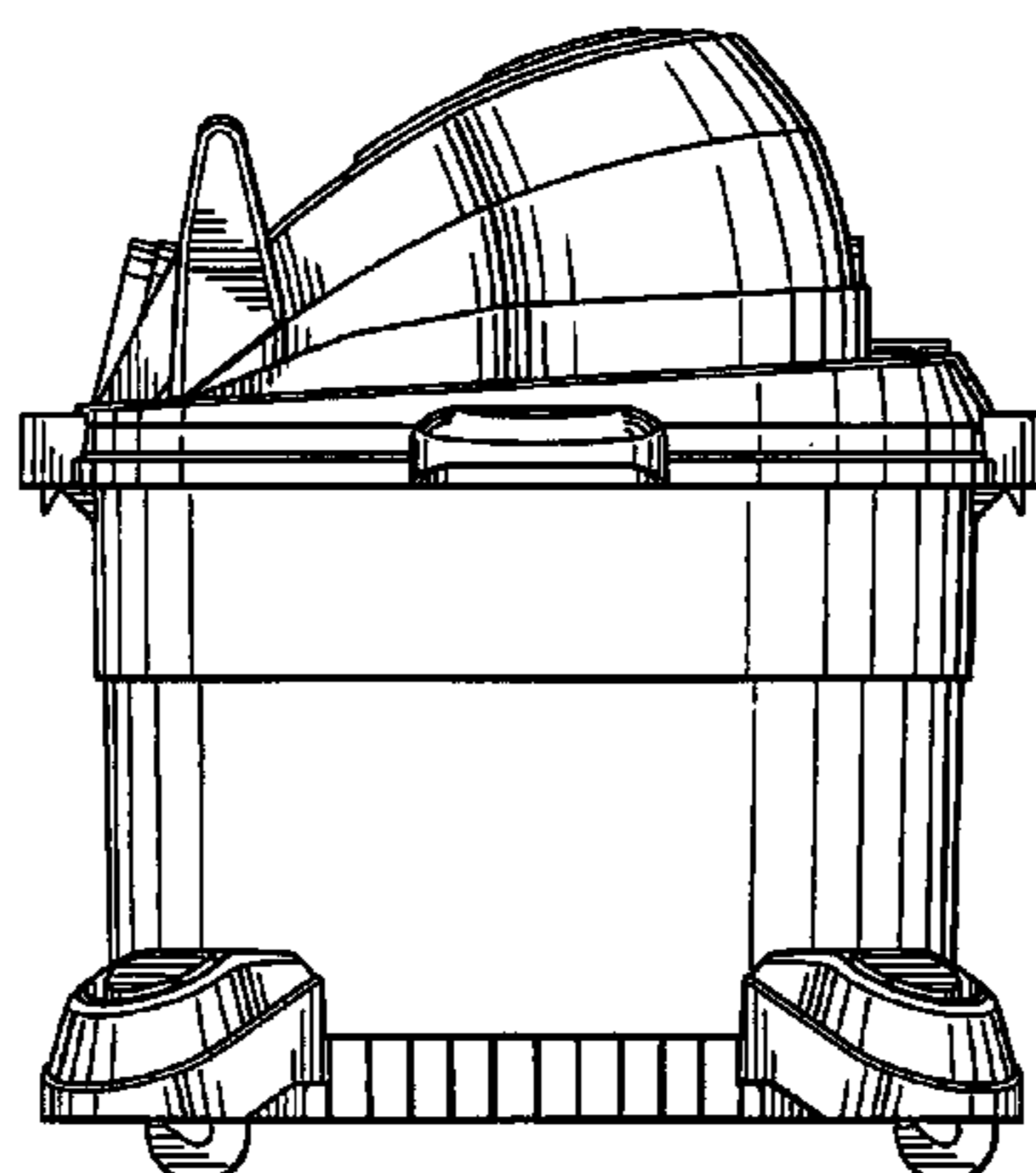
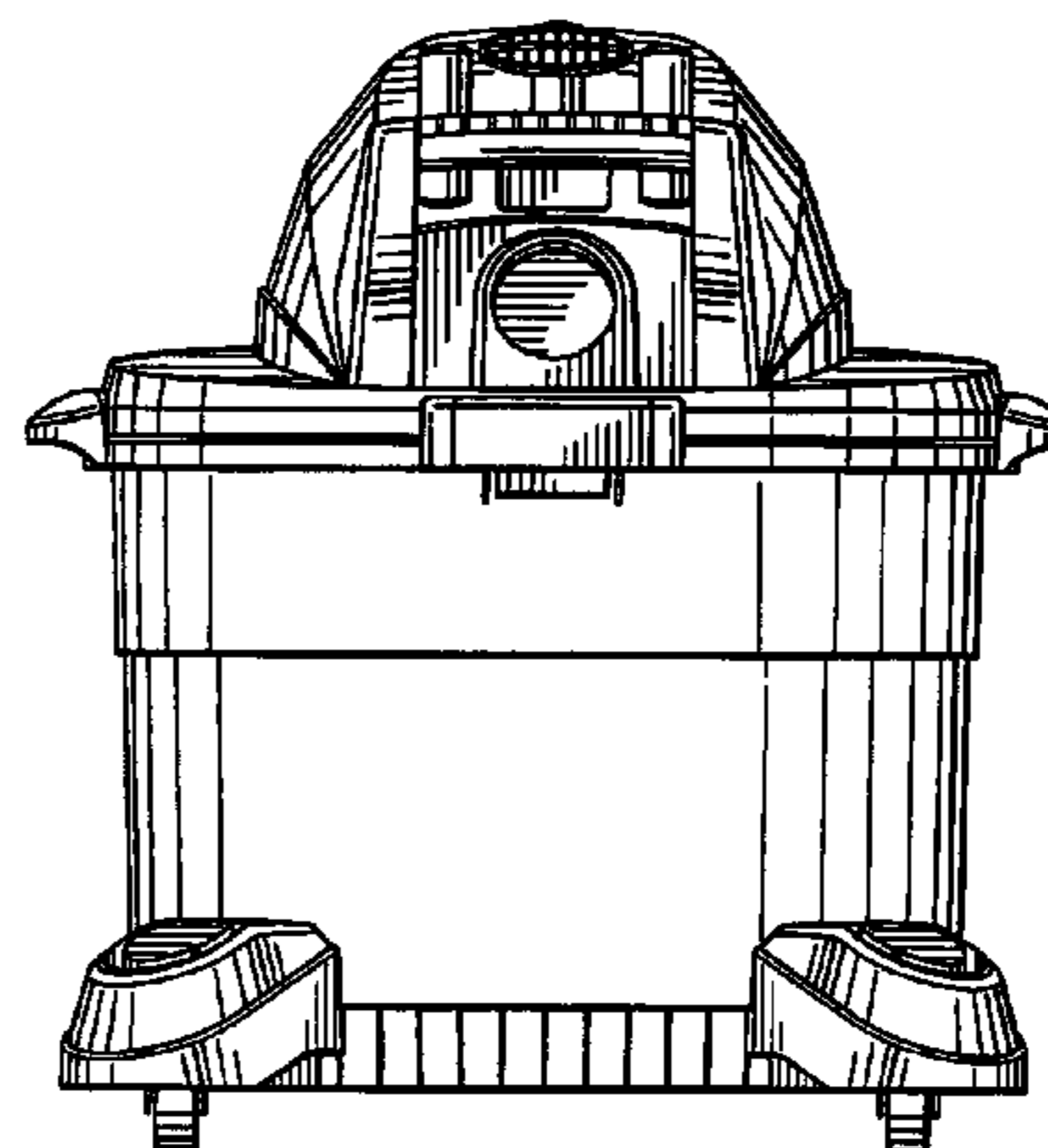
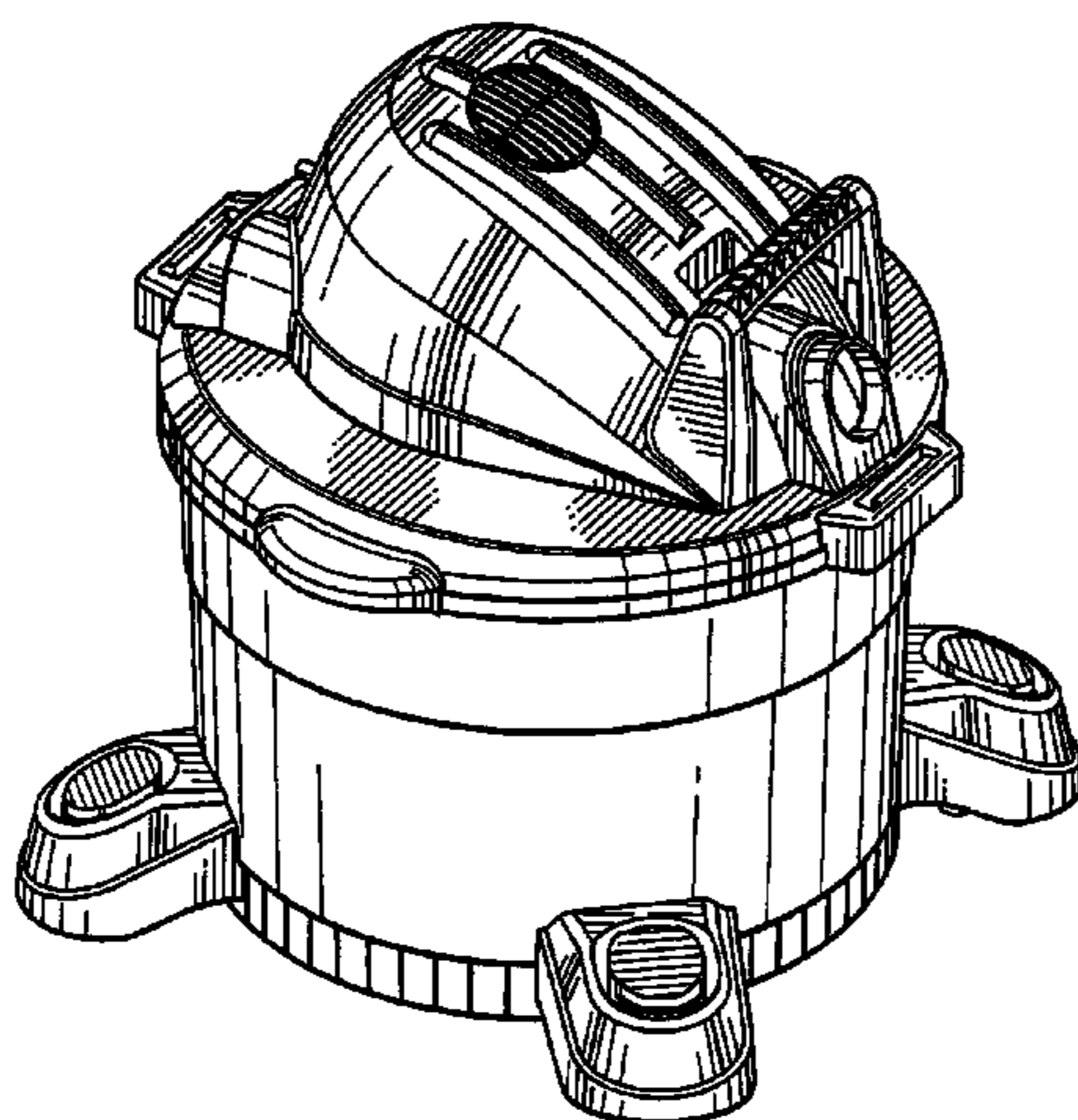
(57) **CLAIM**

The ornamental design for a combination wet and dry vacuum appliance, as shown and described.

DESCRIPTION

FIG. 1 is a top front perspective view of combination wet and dry vacuum appliance showing our new design; FIG. 2 is a front view; FIG. 3 is a side view; FIG. 4 is a side view showing the side opposite that shown in FIG. 3; FIG. 5 is a back view; FIG. 6 is a top view; and, FIG. 7 is a bottom view.

1 Claim, 4 Drawing Sheets



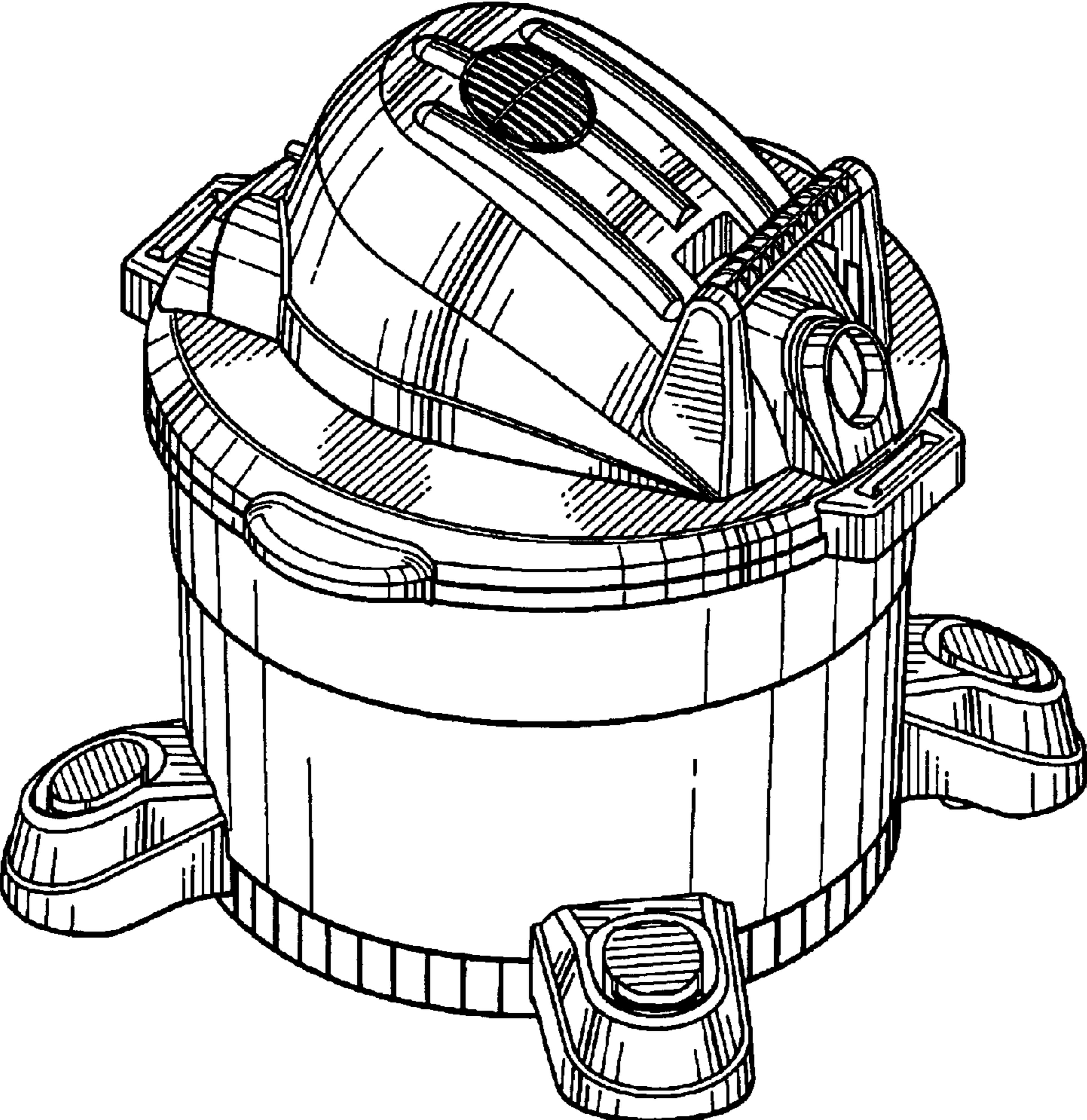


FIG. 1

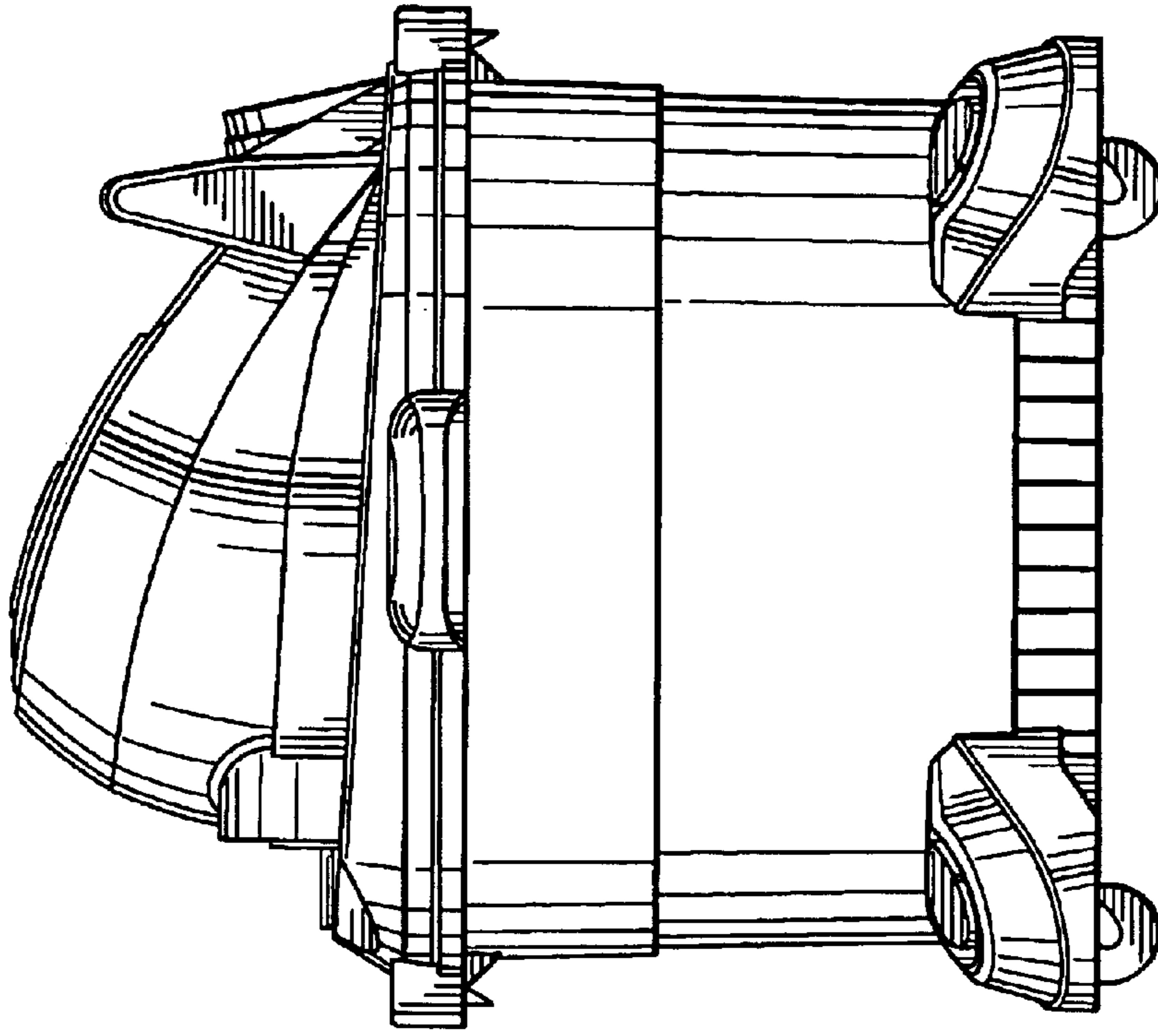


FIG. 3

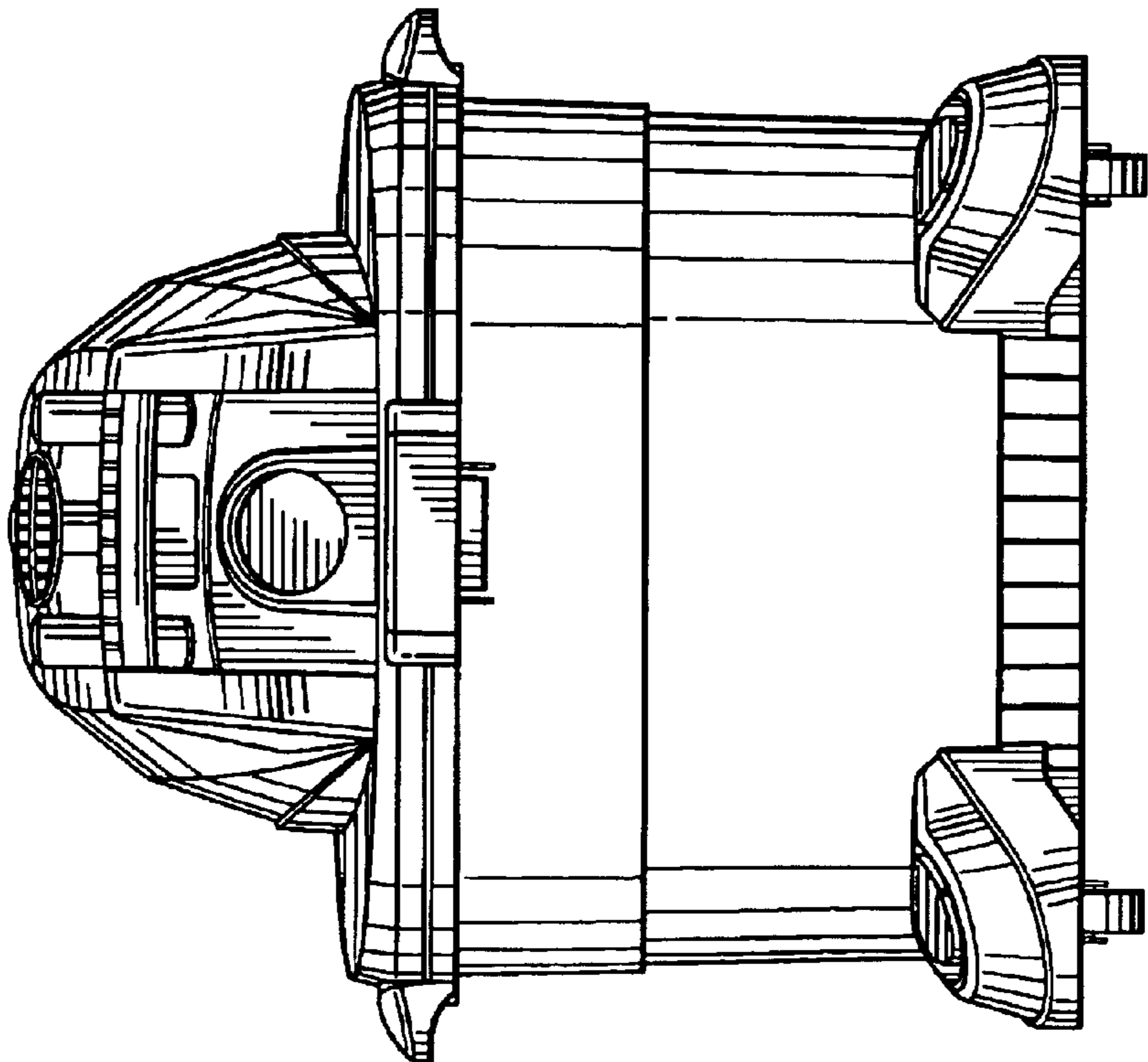


FIG. 2

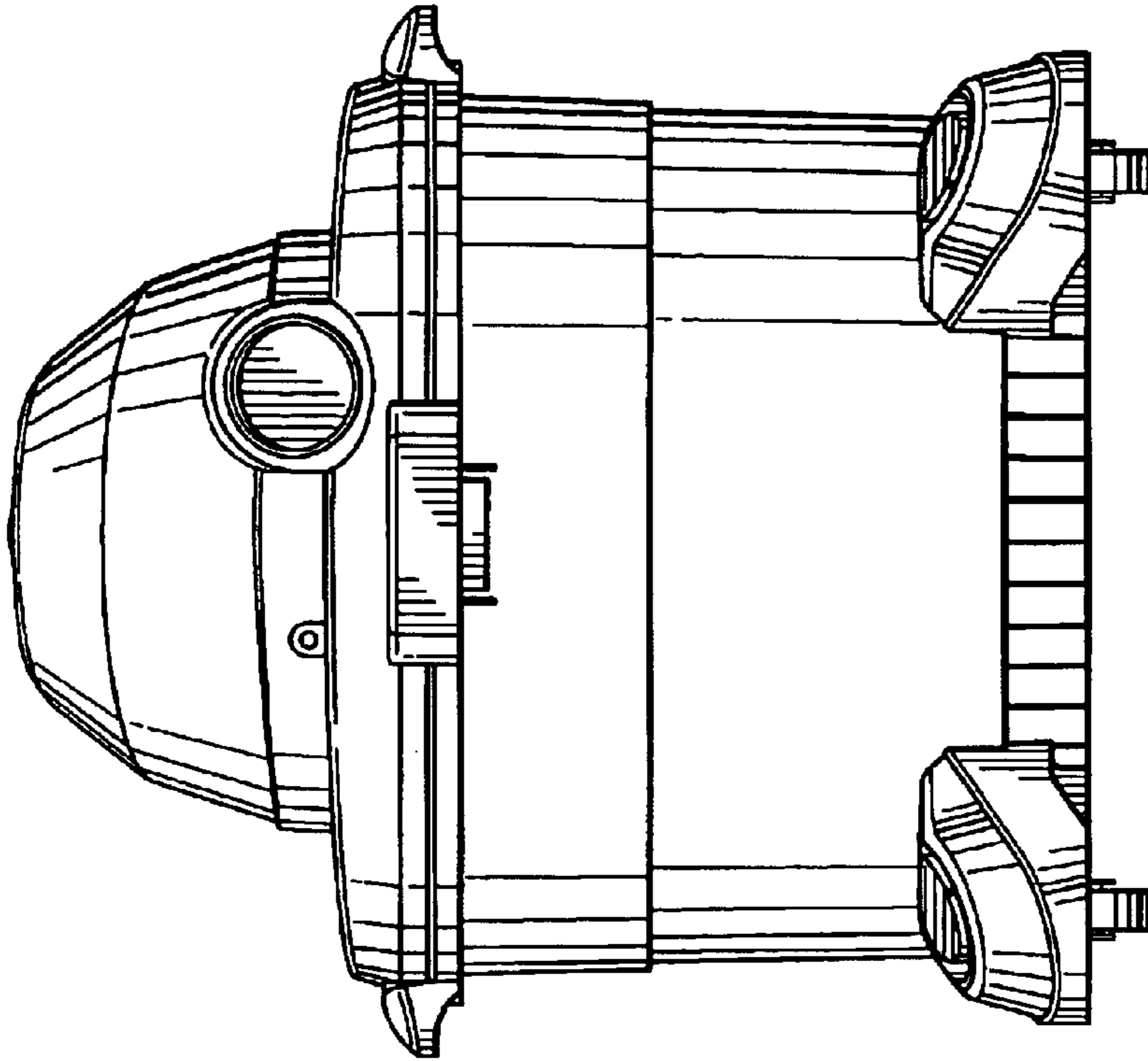


FIG. 5

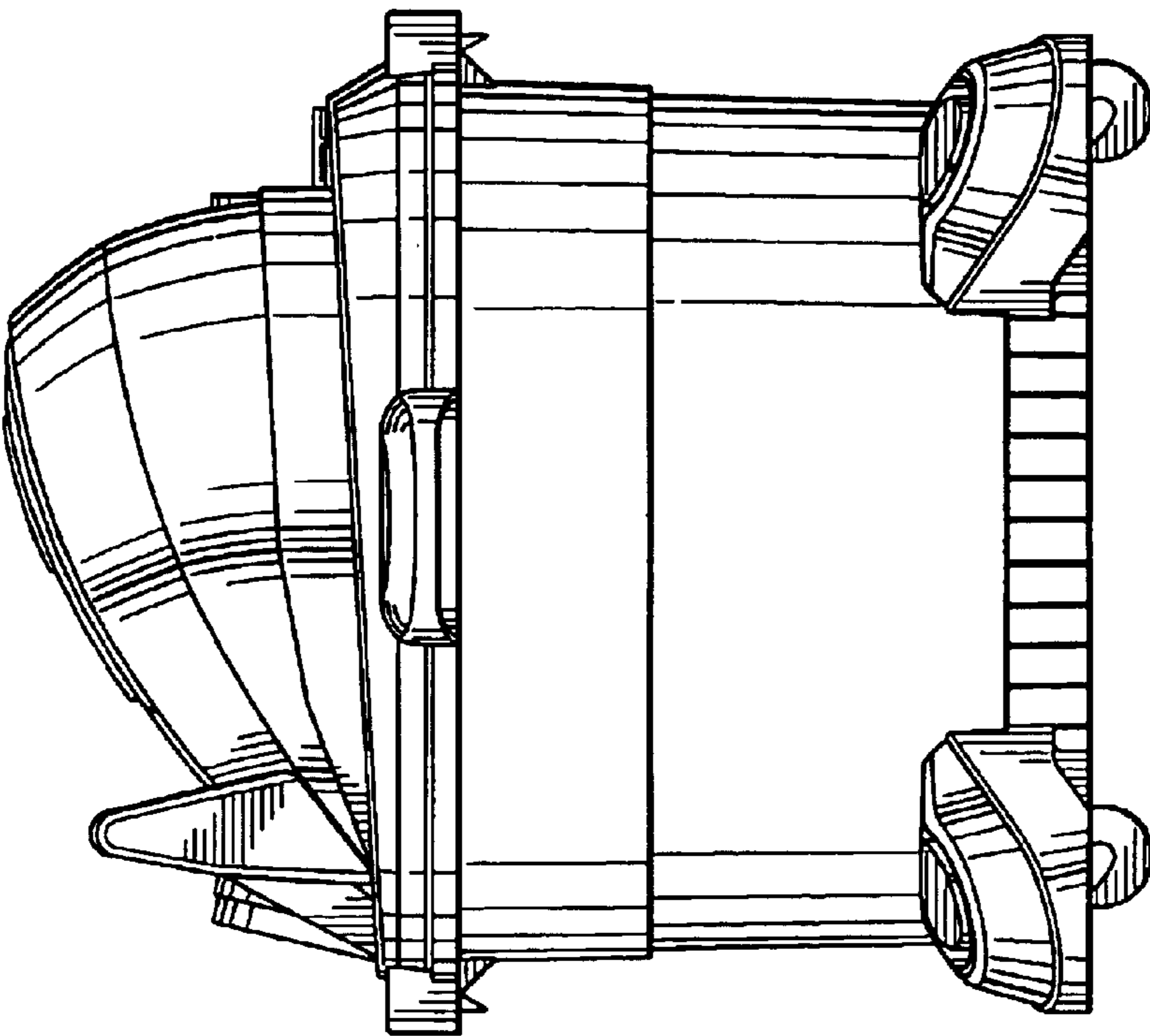


FIG. 4

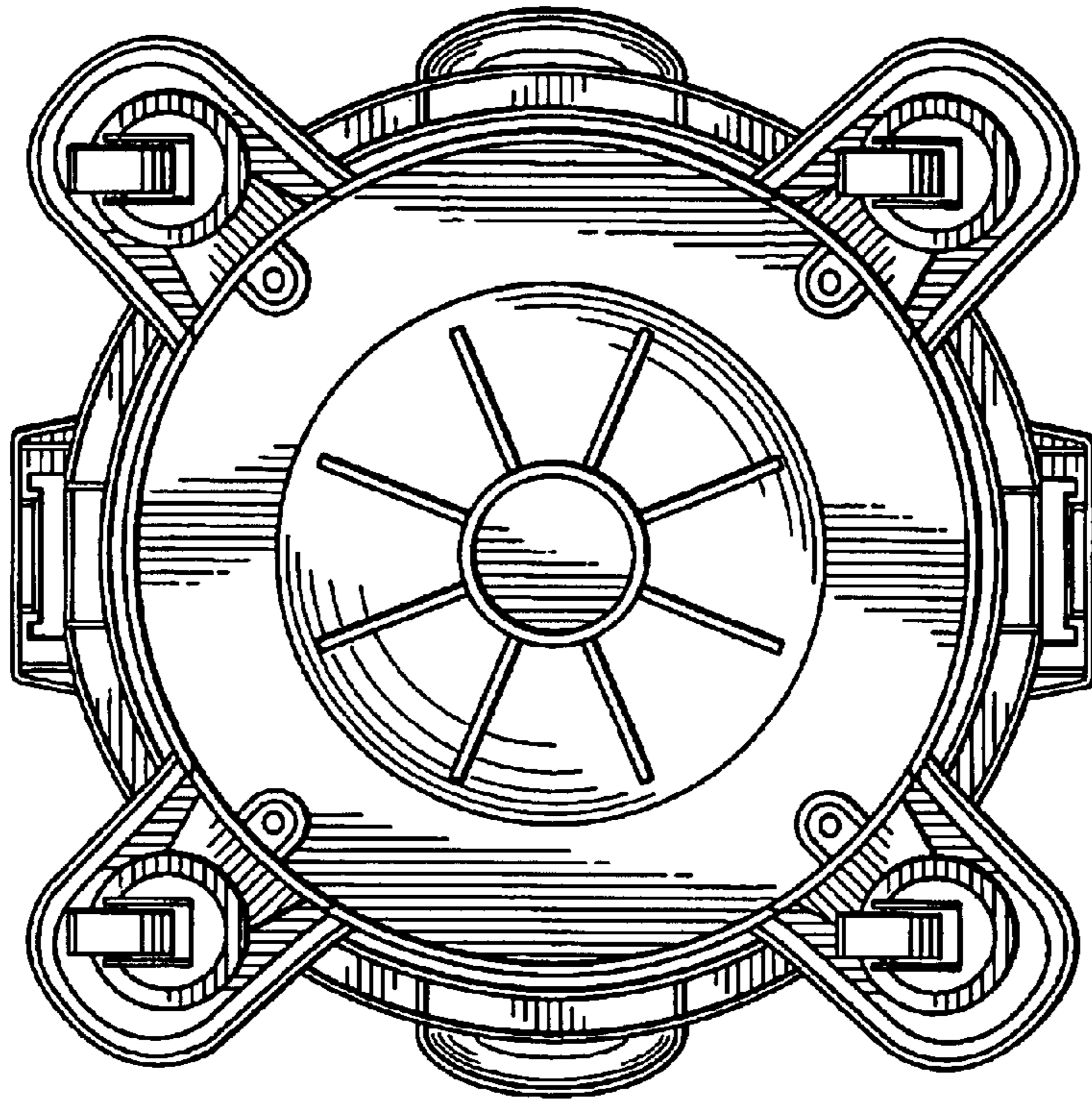


FIG. 7

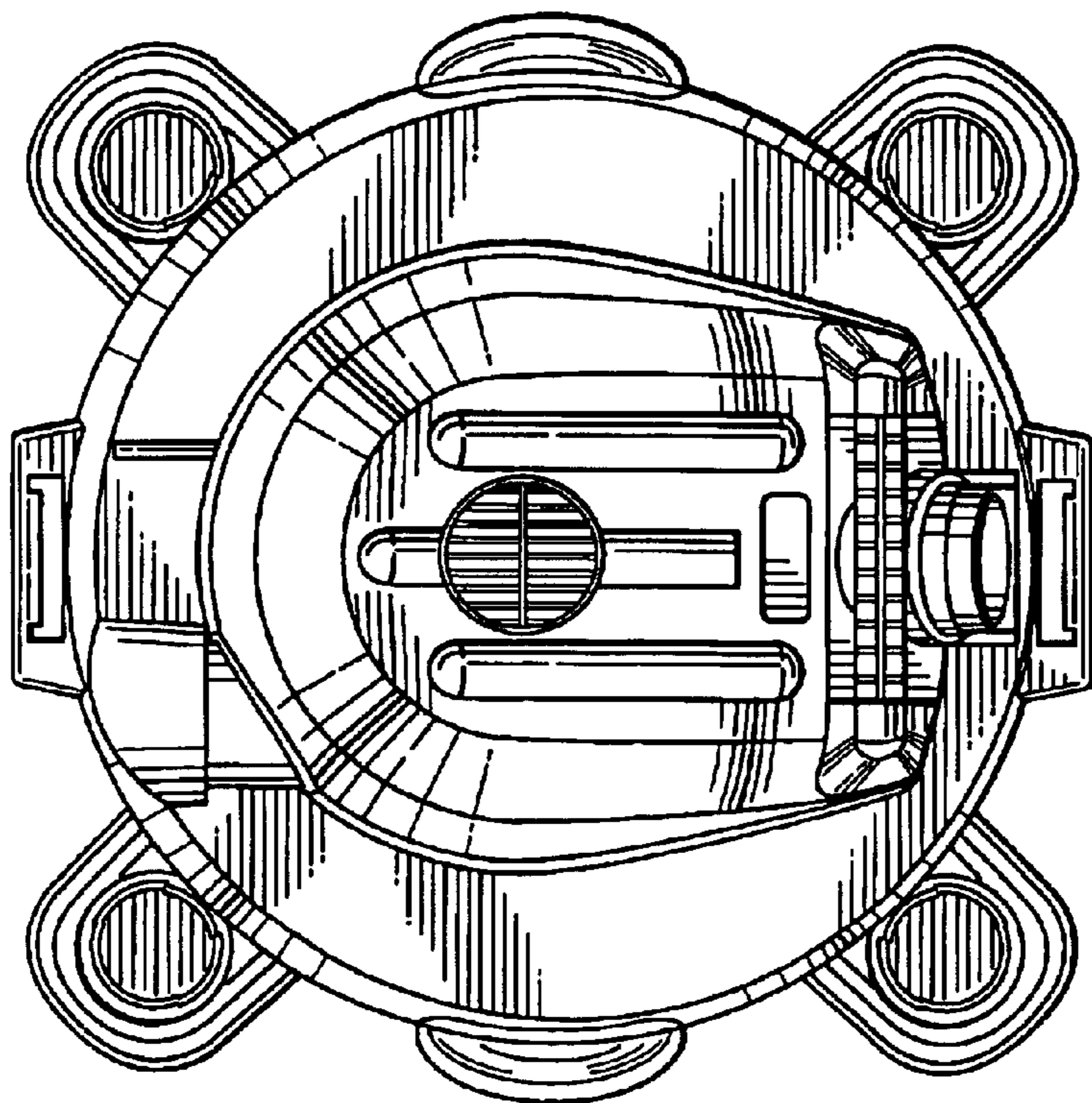


FIG. 6