

US00D492811S1

(12) **United States Design Patent**  
**Huang**

(10) **Patent No.:** **US D492,811 S**  
(45) **Date of Patent:** **\*\* Jul. 6, 2004**

(54) **LAMP SHADE**

(75) **Inventor:** **Huo-Tu Huang**, Taipei Hsien (TW)

(73) **Assignee:** **Huangslite Industrial Co., LTD**, Taipei Hsien (TW)

(\*\*) **Term:** **14 Years**

(21) **Appl. No.:** **29/191,152**

(22) **Filed:** **Oct. 3, 2003**

(51) **LOC (7) Cl.** ..... **26-99**

(52) **U.S. Cl.** ..... **D26/118**

(58) **Field of Search** ..... D26/118, 123,  
D26/124, 128; 362/347, 350, 351, 359,  
361

(56) **References Cited**

**U.S. PATENT DOCUMENTS**

D346,875 S \* 5/1994 Rorke ..... D26/128  
D474,855 S \* 5/2003 Huang ..... D26/118

**OTHER PUBLICATIONS**

Item 33-20W, Halogen Desk Lamps, Aug. '97, Taiwan Lighting.\*

Item 7278-5, Aug. '97, Taiwan Lightin.\*

\* cited by examiner

*Primary Examiner*—Jennifer Rivard

(74) *Attorney, Agent, or Firm*—Bacon & Thomas, PLLC

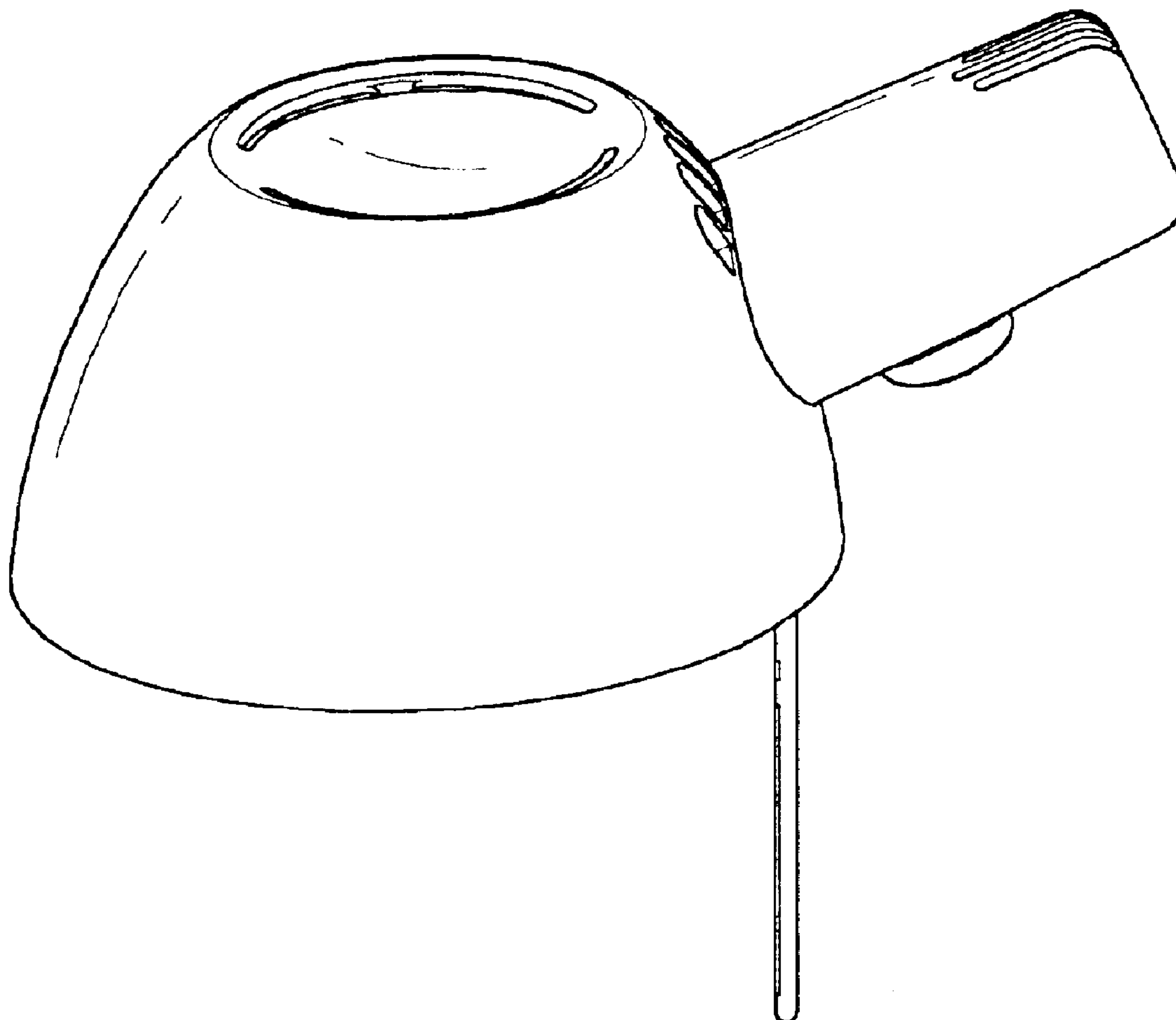
(57) **CLAIM**

The ornamental design for lamp shade, as shown and described.

**DESCRIPTION**

FIG. 1. is a top, front right side perspective view thereof;  
FIG. 2. is a front elevational view thereof;  
FIG. 3. is a rear elevational view thereof;  
FIG. 4. is a left side elevational view thereof;  
FIG. 5. is a right side elevational view thereof;  
FIG. 6. is a top plan view thereof; and,  
FIG. 7. is a bottom plan view thereof.

**1 Claim, 7 Drawing Sheets**



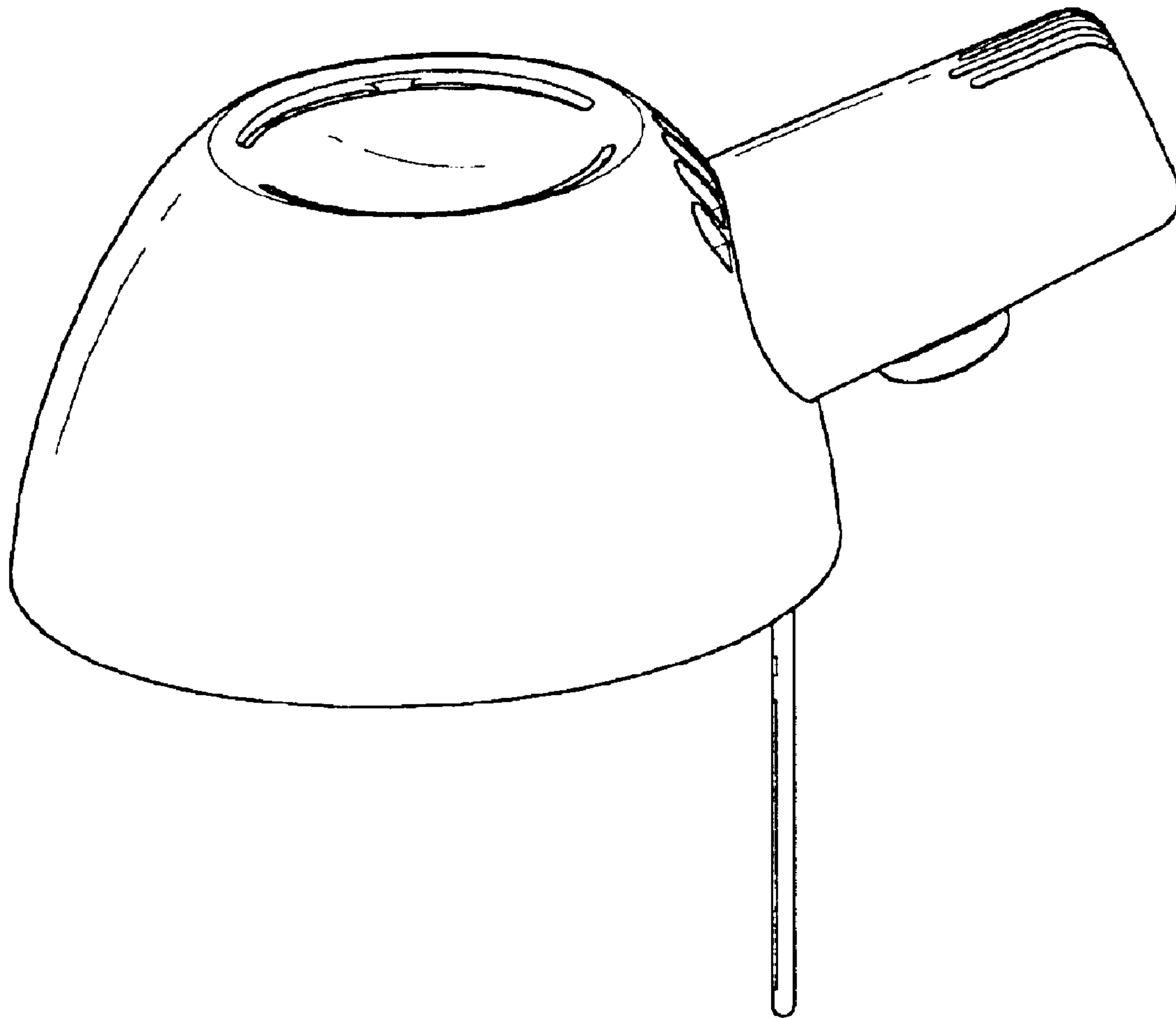


FIG. 1

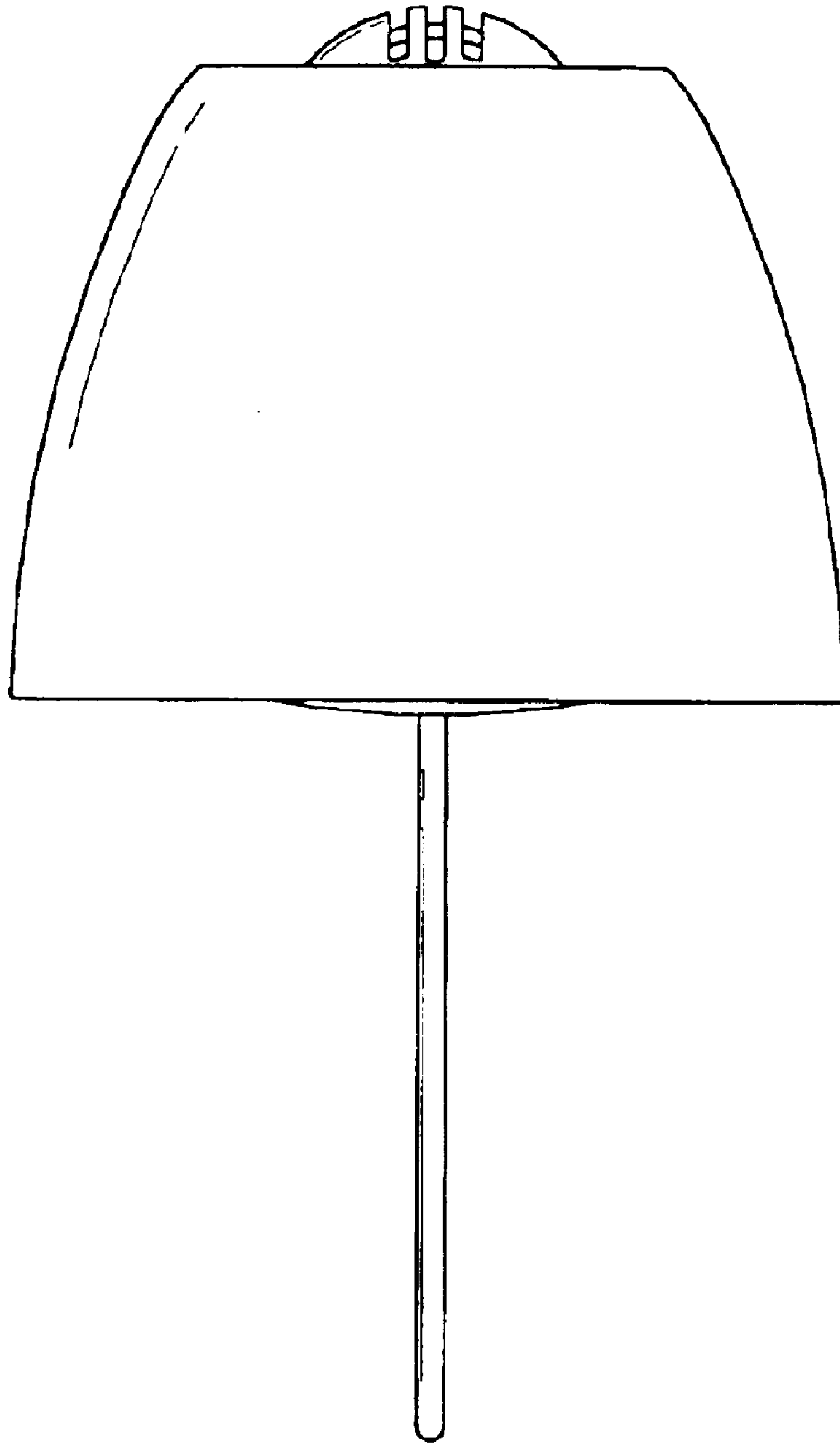


FIG. 2

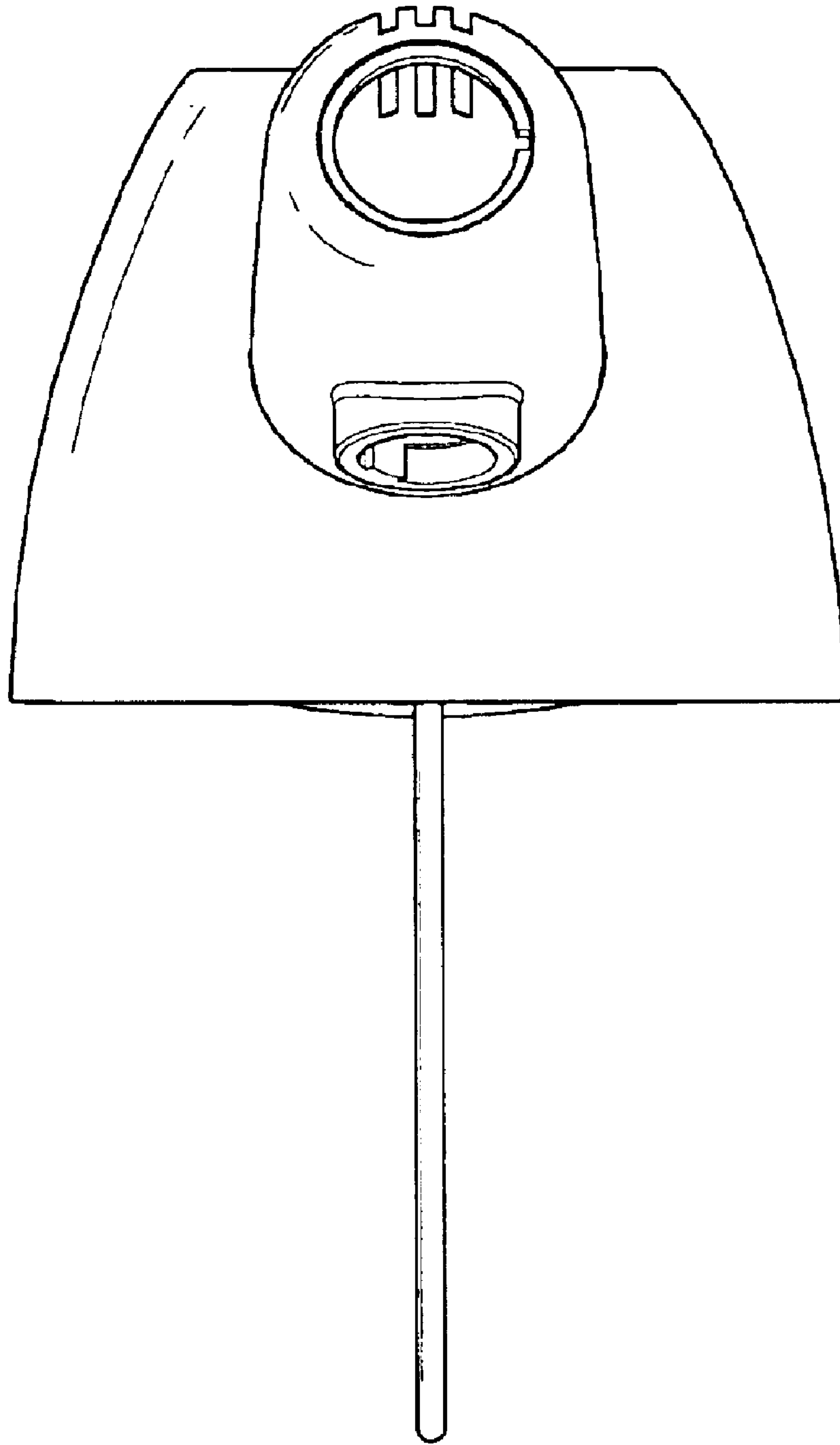


FIG. 3

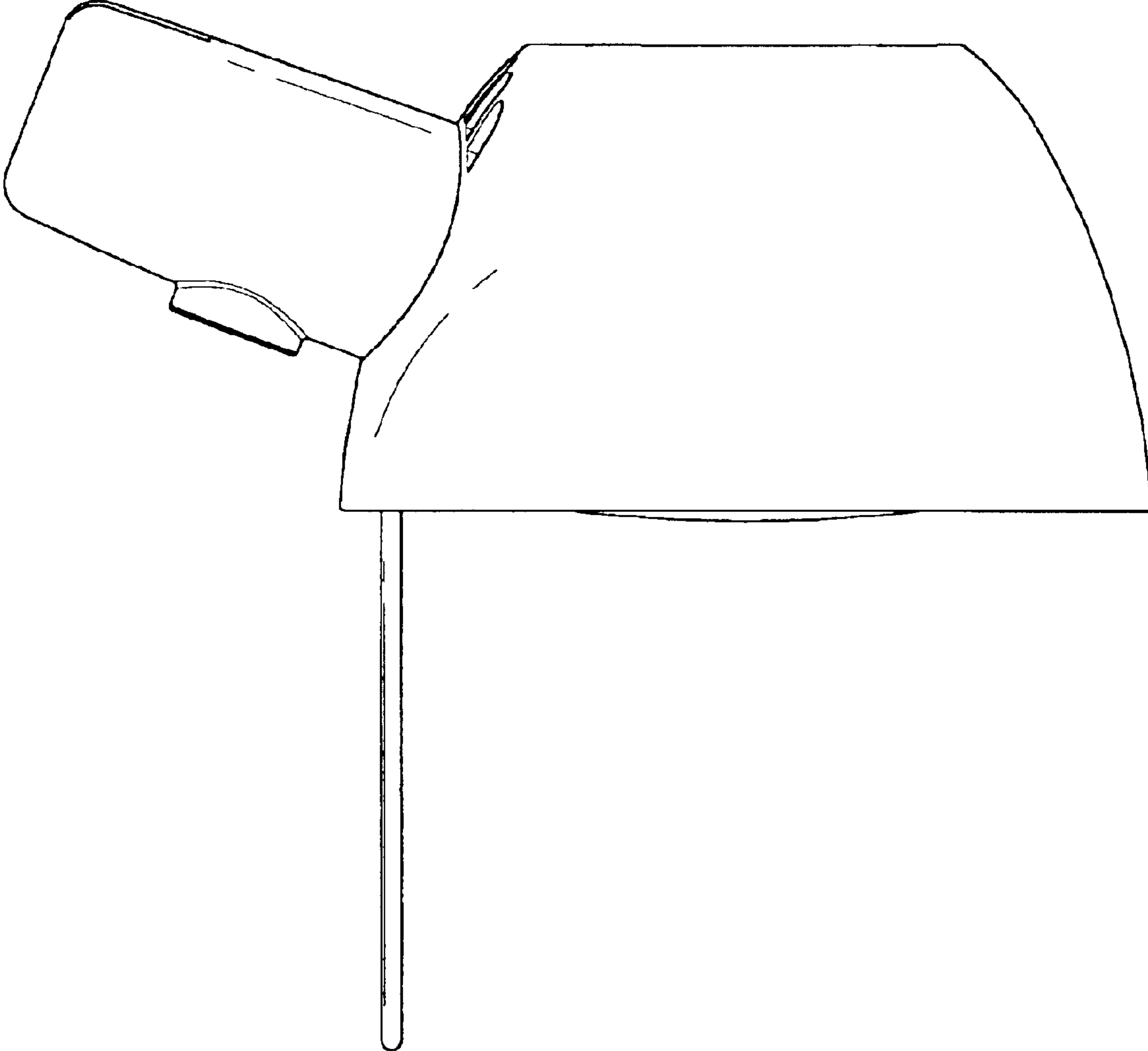


FIG. 4

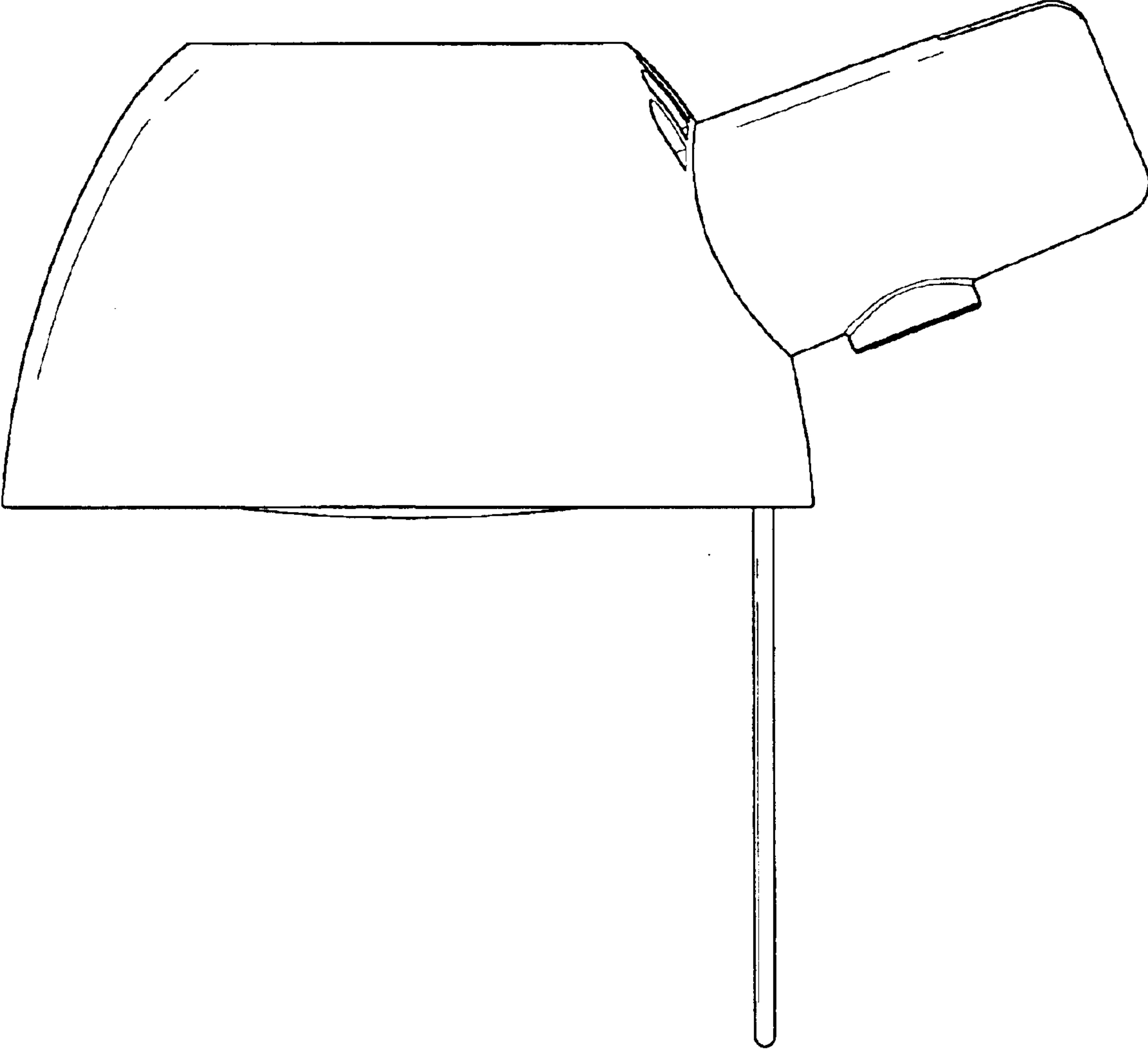


FIG. 5

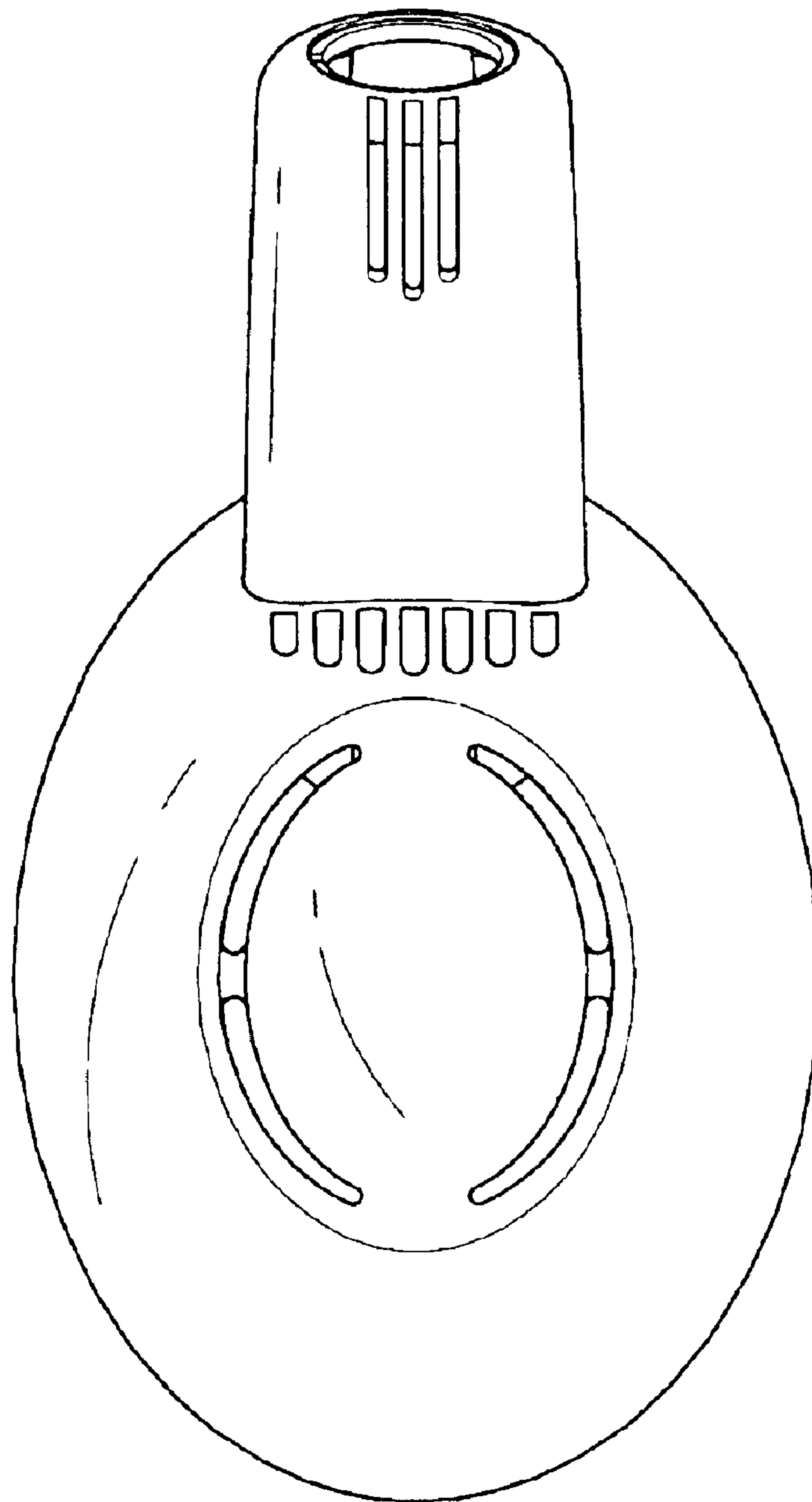


FIG. 6

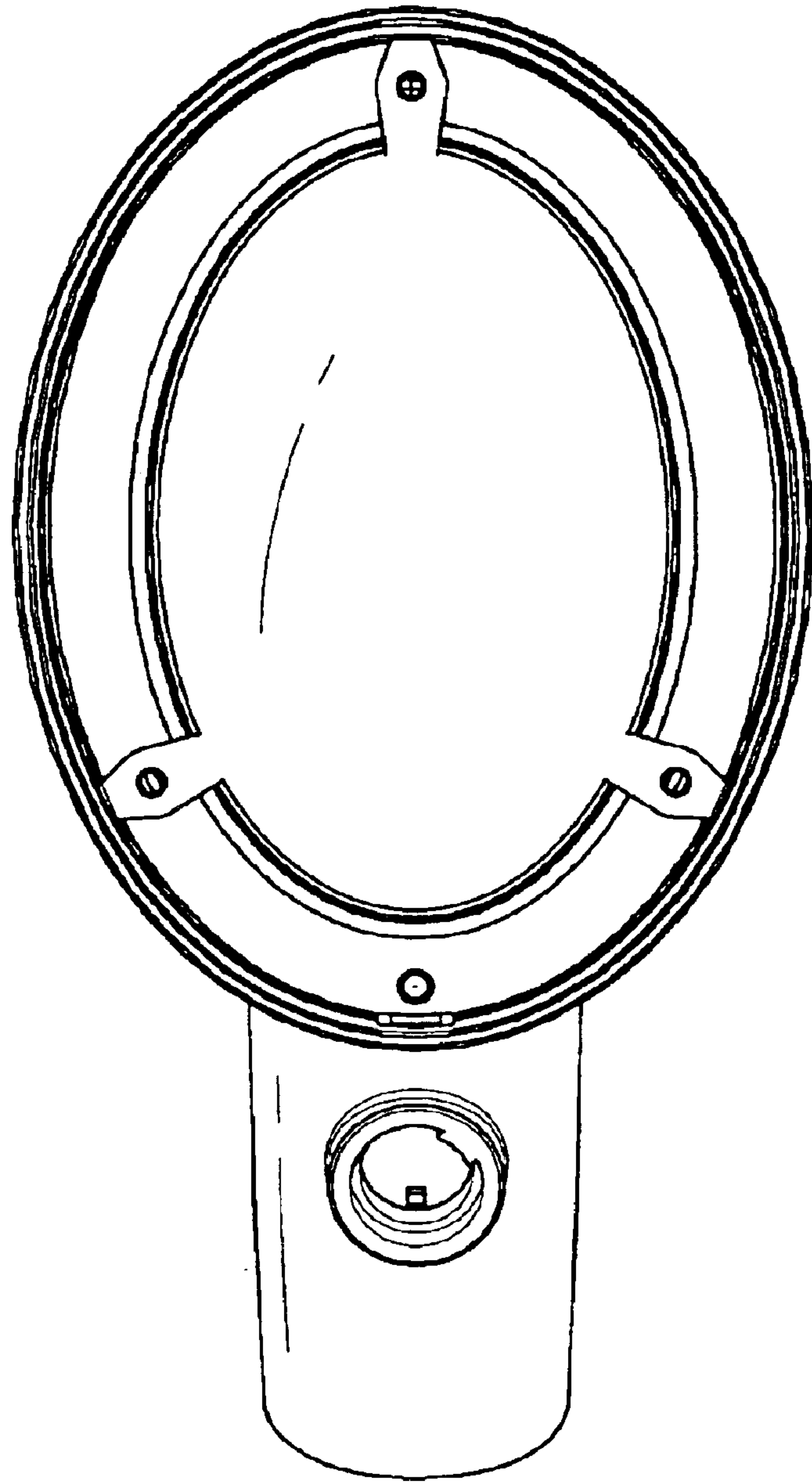


FIG. 7