

US00D492809S1

(12) **United States Design Patent**
Weitgasser

(10) **Patent No.:** **US D492,809 S**
(45) **Date of Patent:** **** Jul. 6, 2004**

(54) **HANGING LIGHT**

(75) **Inventor:** **Erwin Weitgasser, Salzburg (AT)**

(73) **Assignee:** **Derungs Licht AG, Gossau (CH)**

(**) **Term:** **14 Years**

(21) **Appl. No.:** **29/160,316**

(22) **Filed:** **May 9, 2002**

(51) **LOC (7) Cl.** **26-03**

(52) **U.S. Cl.** **D26/76**

(58) **Field of Search** **D26/72, 75-79;**
362/215-225

(56) **References Cited**

U.S. PATENT DOCUMENTS

- D139,670 S * 12/1944 Lippincott D26/76
- 2,715,449 A * 8/1955 Lemmerman et al. 362/217
- D449,401 S * 10/2001 Tillman et al. D26/76
- 6,305,816 B1 * 10/2001 Corcorran et al. 362/219

D452,030 S * 12/2001 Collver D26/76

* cited by examiner

Primary Examiner—Alan P. Douglas

Assistant Examiner—Clare E. Heflin

(74) *Attorney, Agent, or Firm*—Shoemaker and Mattare

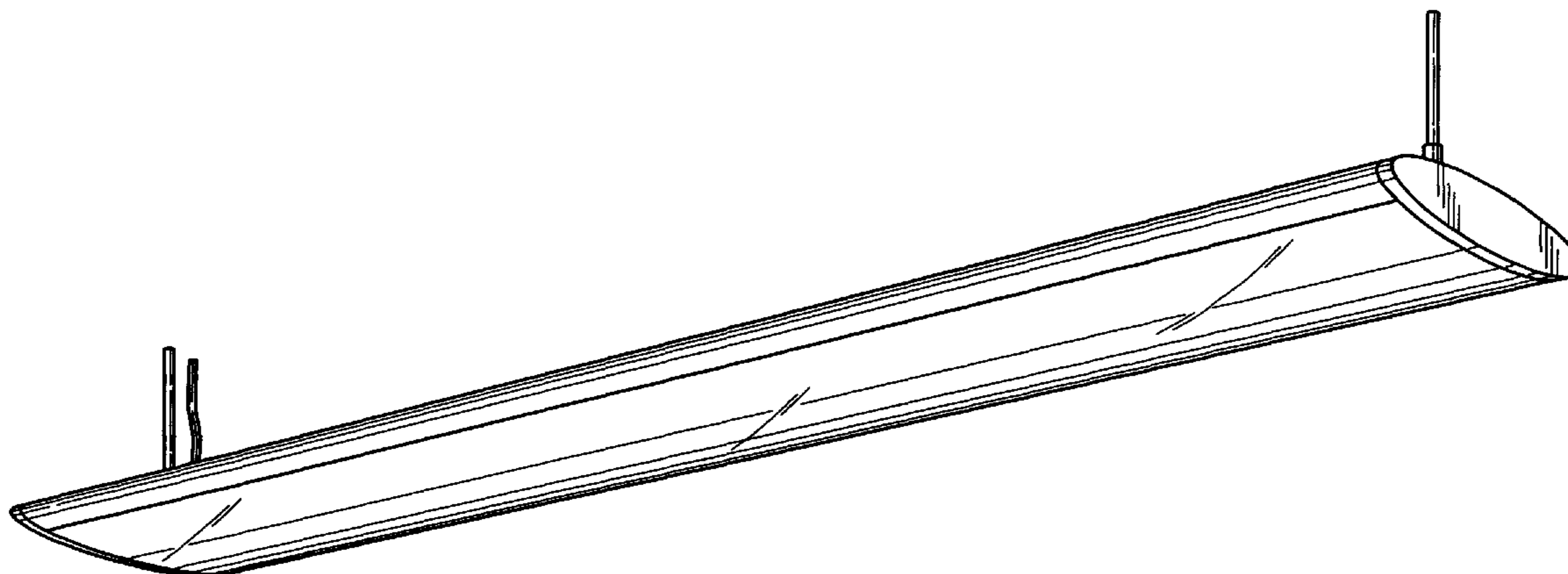
(57) **CLAIM**

The ornamental design for a hanging light, as shown and described.

DESCRIPTION

FIG. 1 is a perspective view of a hanging light, viewed from the front, left side and bottom, showing my new design; FIG. 2 is a rear elevation thereof; FIG. 3 is a top plan view thereof; FIG. 4 is a front elevation thereof; FIG. 5 is a bottom plan view thereof; and, FIG. 6 is a right side elevation thereof, the left side elevation being a mirror image.

1 Claim, 2 Drawing Sheets



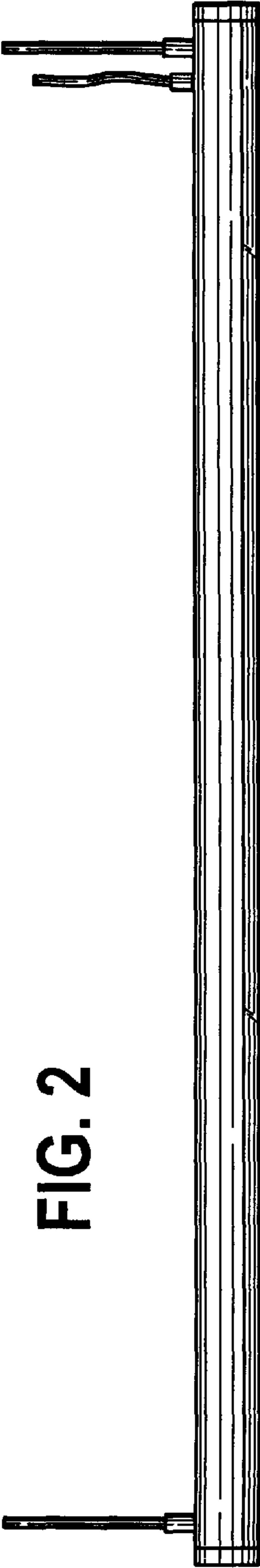
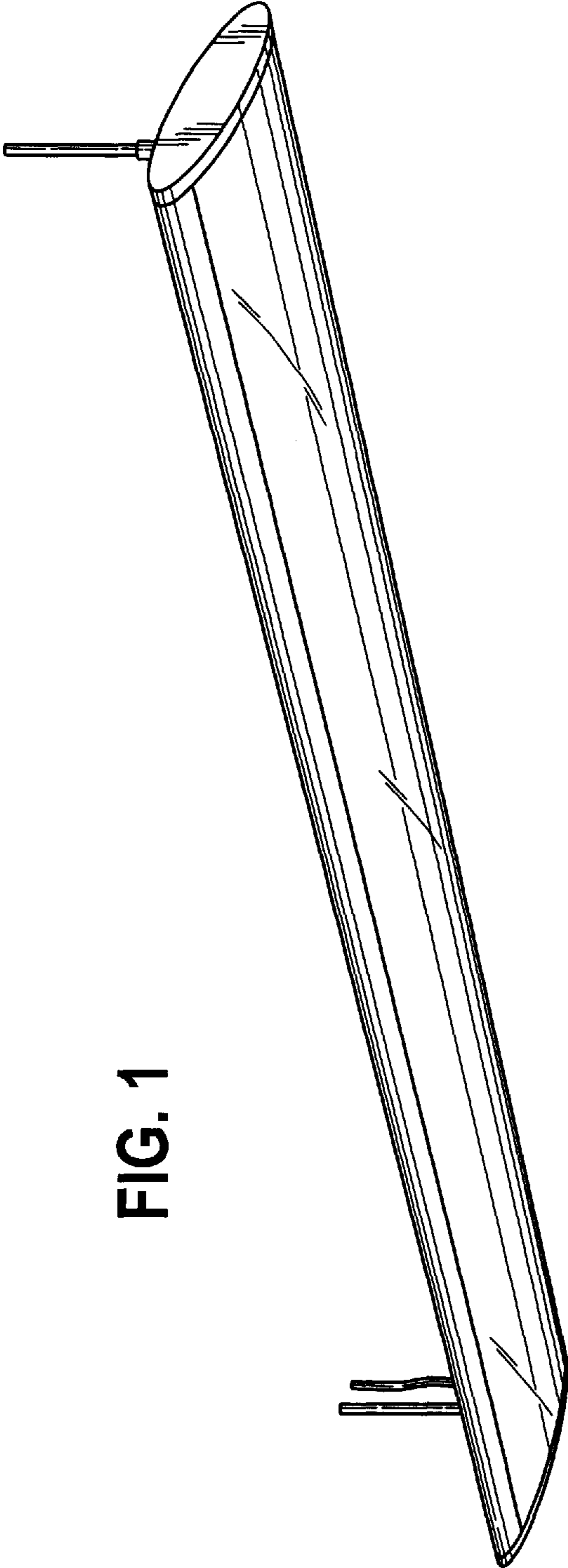


FIG. 3

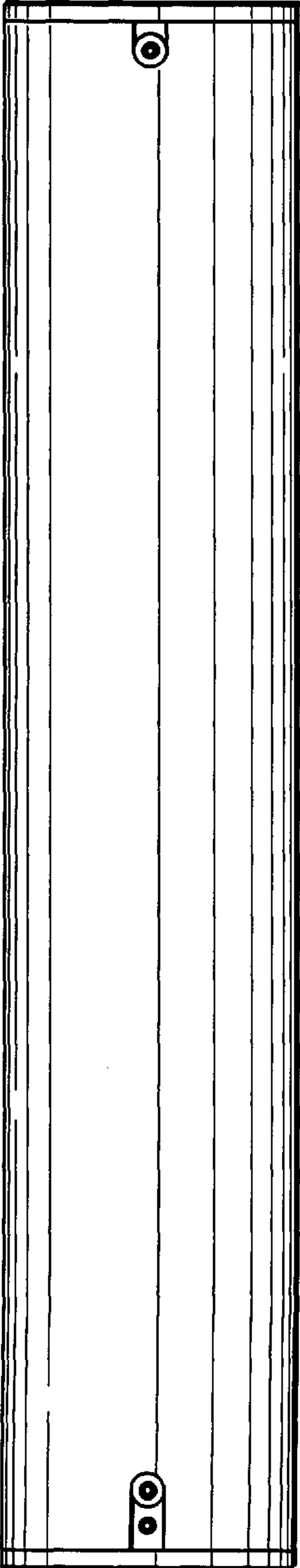


FIG. 4

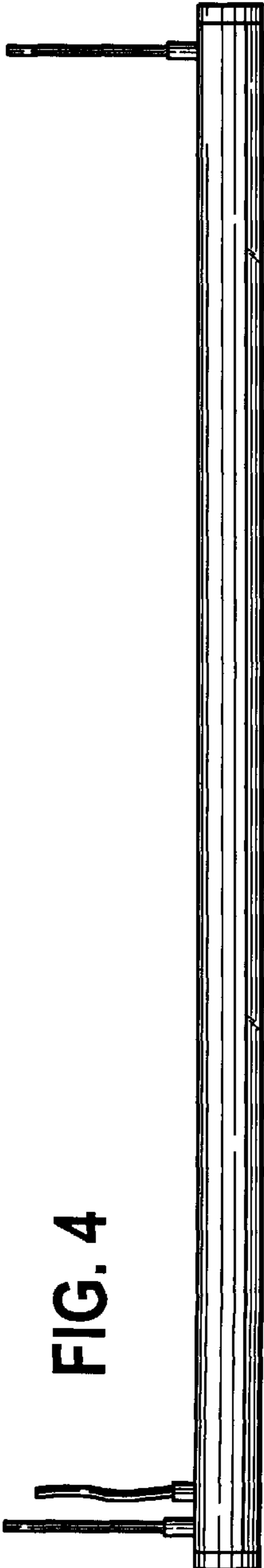


FIG. 6

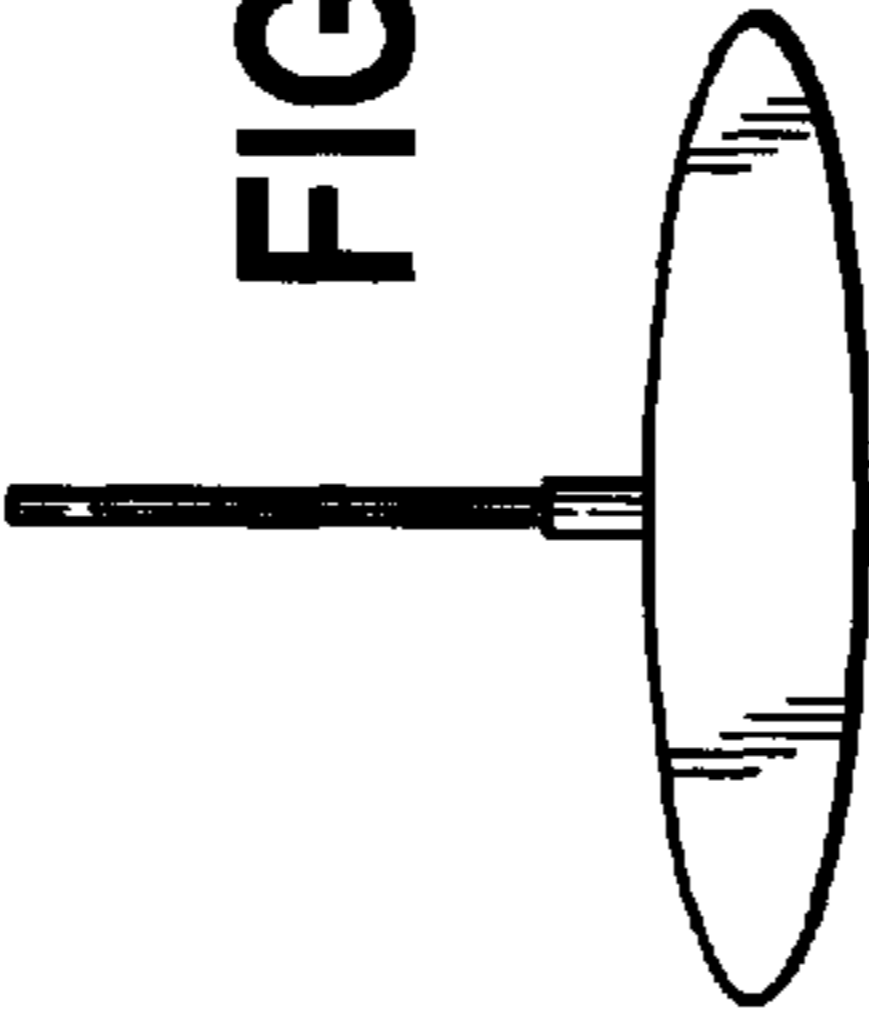
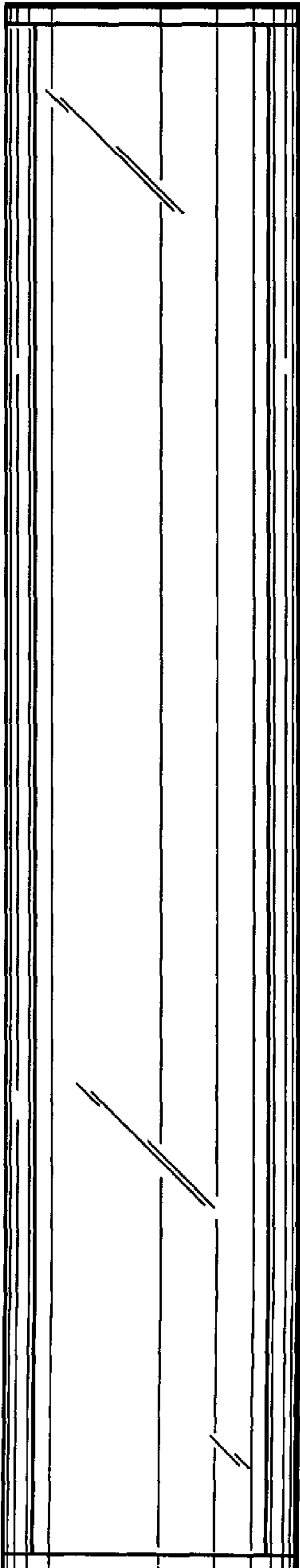


FIG. 5



UNITED STATES PATENT AND TRADEMARK OFFICE
CERTIFICATE OF CORRECTION

PATENT NO. : Des. 492,809 S
DATED : July 6, 2004
INVENTOR(S) : Weitgasser

Page 1 of 1

It is certified that error appears in the above-identified patent and that said Letters Patent is hereby corrected as shown below:

Title page,
Item [30], **Foreign Application Priority Data,**

-- Nov. 12, 2001 (WO)DM/058 476 --

Signed and Sealed this

Fifth Day of October, 2004

A handwritten signature in black ink on a dotted background. The signature reads "Jon W. Dudas" in a cursive style.

JON W. DUDAS

Director of the United States Patent and Trademark Office