



US00D492805S1

(12) **United States Design Patent**
Woolfson

(10) **Patent No.:** **US D492,805 S**
(45) **Date of Patent:** **** Jul. 6, 2004**

(54) **PORTABLE STROBOSCOPE**

(75) **Inventor:** **Alan Julian Woolfson**, Milford, NH
(US)

(73) **Assignee:** **Monarch International Inc**, Amherst,
NH (US)

(**) **Term:** **14 Years**

(21) **Appl. No.:** **29/185,560**

(22) **Filed:** **Jun. 30, 2003**

(51) **LOC (7) Cl.** **26-02**

(52) **U.S. Cl.** **D26/37**

(58) **Field of Search** D26/8, 37; 362/157,
362/158, 200-201, 183-194, 196

(56) **References Cited**

U.S. PATENT DOCUMENTS

1,948,740 A	*	2/1934	Young	324/75
2,468,690 A	*	4/1949	Schweisthal	356/25
3,144,584 A	*	8/1964	La Fiandra et al.	315/241 S
D267,514 S	*	1/1983	Leung	D26/37

4,605,993 A	*	8/1986	Zelina, Jr.	362/183
D466,636 S	*	12/2002	Chun	D26/37
D485,627 S	*	1/2004	Chun	D26/37

* cited by examiner

Primary Examiner—Antoine D. Davis

(57) **CLAIM**

The ornamental design for a portable stroboscope, as shown and described.

DESCRIPTION

FIG. 1 is a perspective view of my new stroboscope showing the battery pack removed

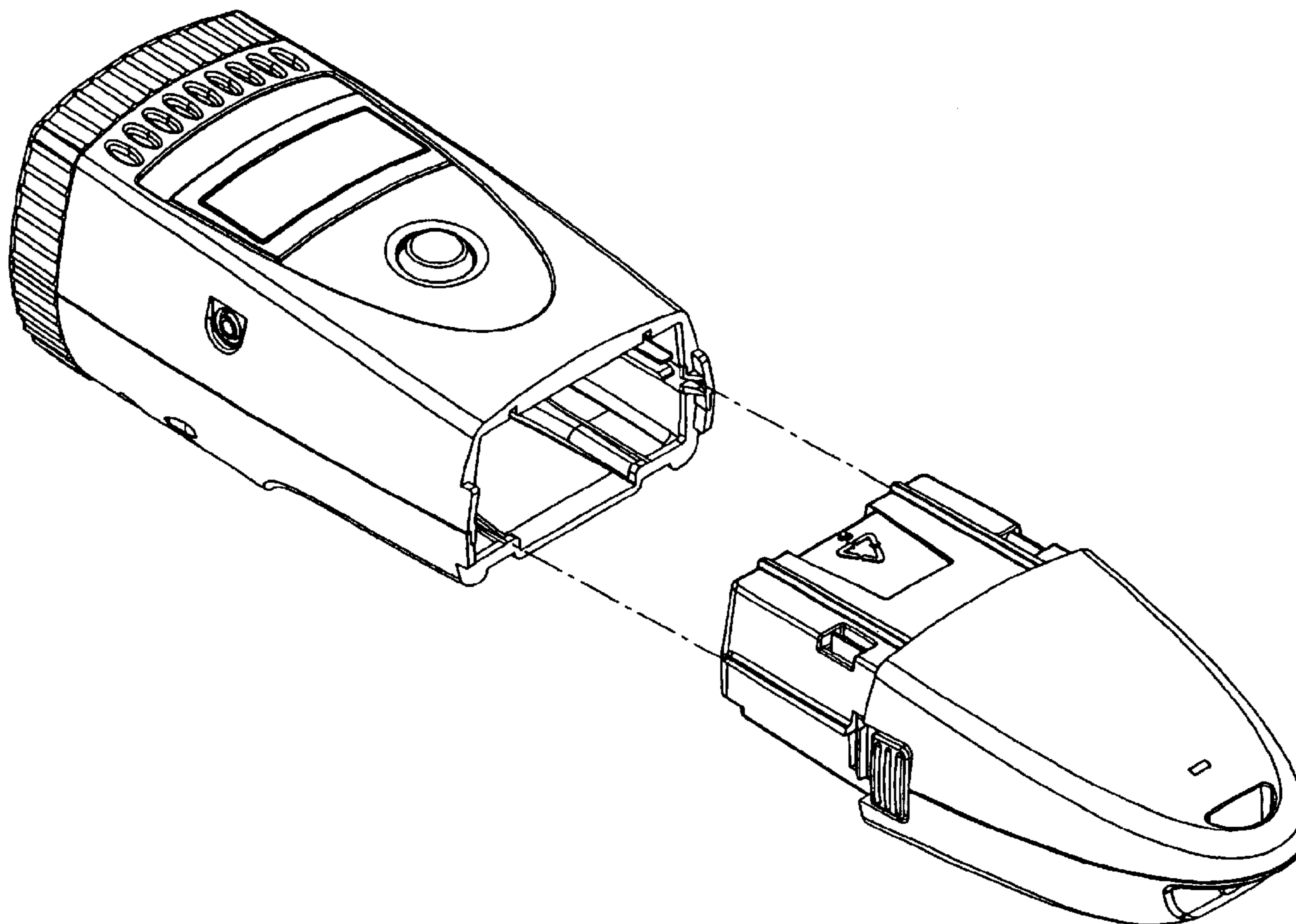
FIG. 2 is the same perspective view as FIG. 1 showing the battery pack inserted.

FIG. 3 is a side elevation of the stroboscope with battery pack inserted.

FIG. 4 is a top elevation of the stroboscope with battery pack inserted; and,

FIG. 5 is a perspective view showing the front of the stroboscope.

1 Claim, 4 Drawing Sheets



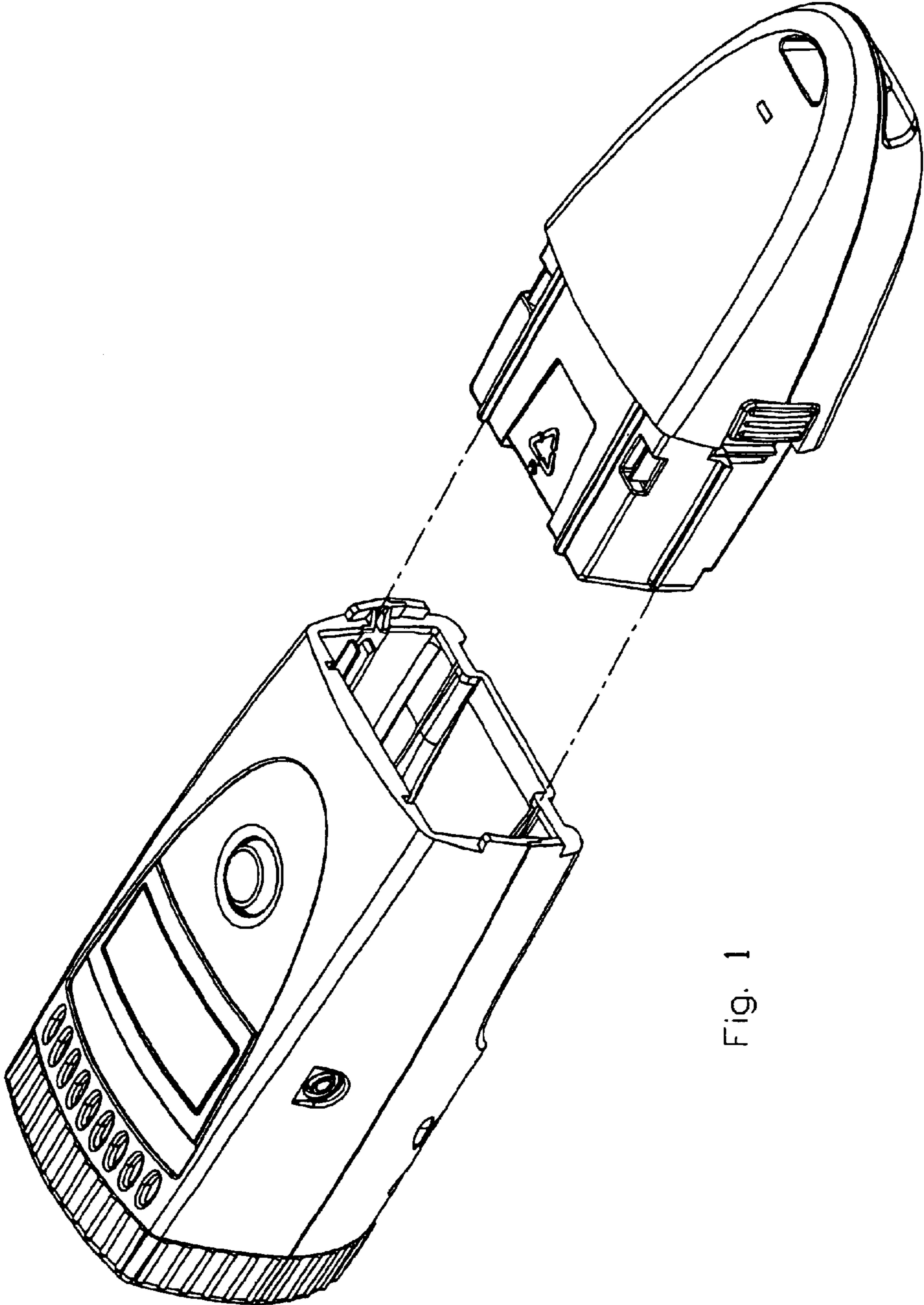


Fig. 1

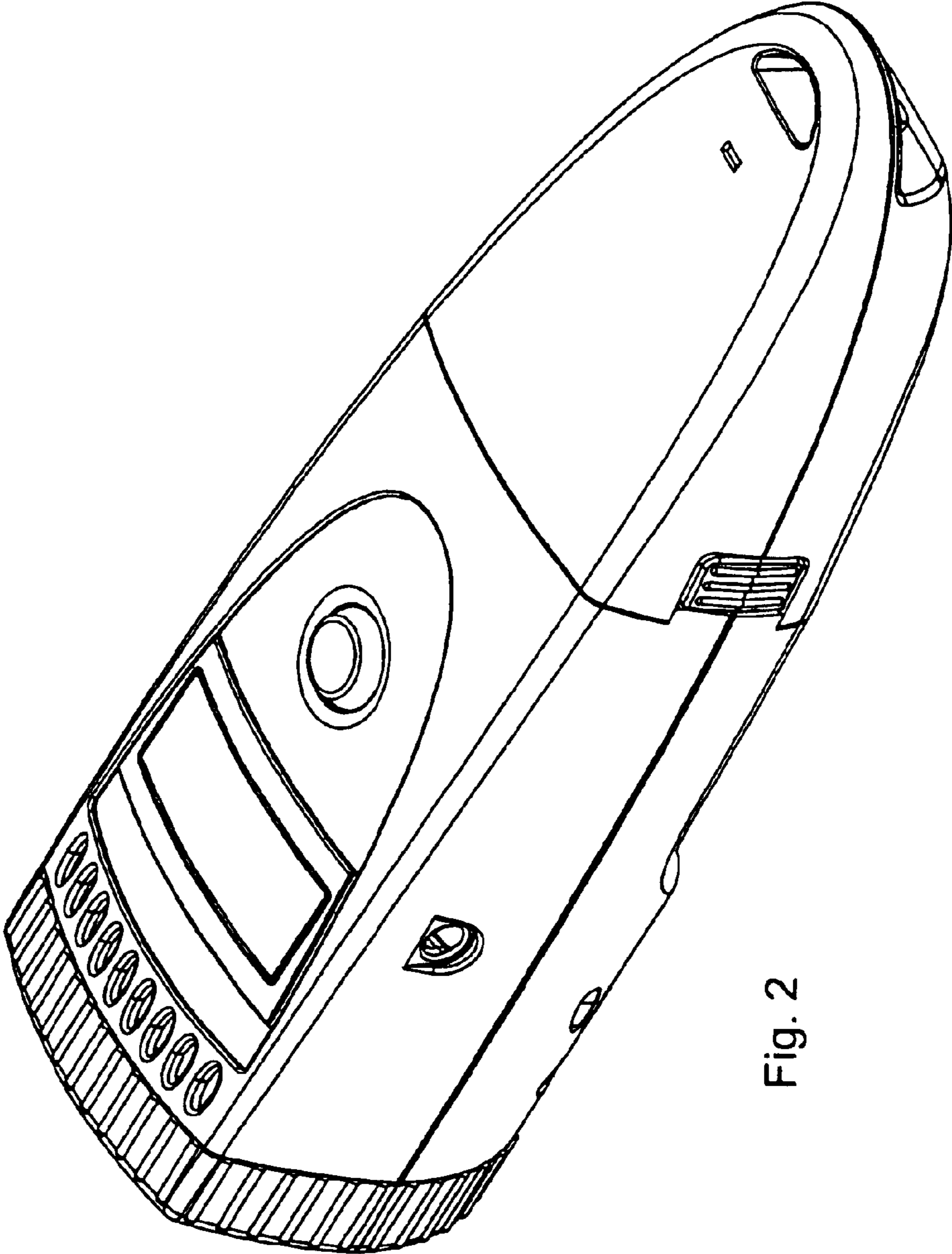


Fig. 2

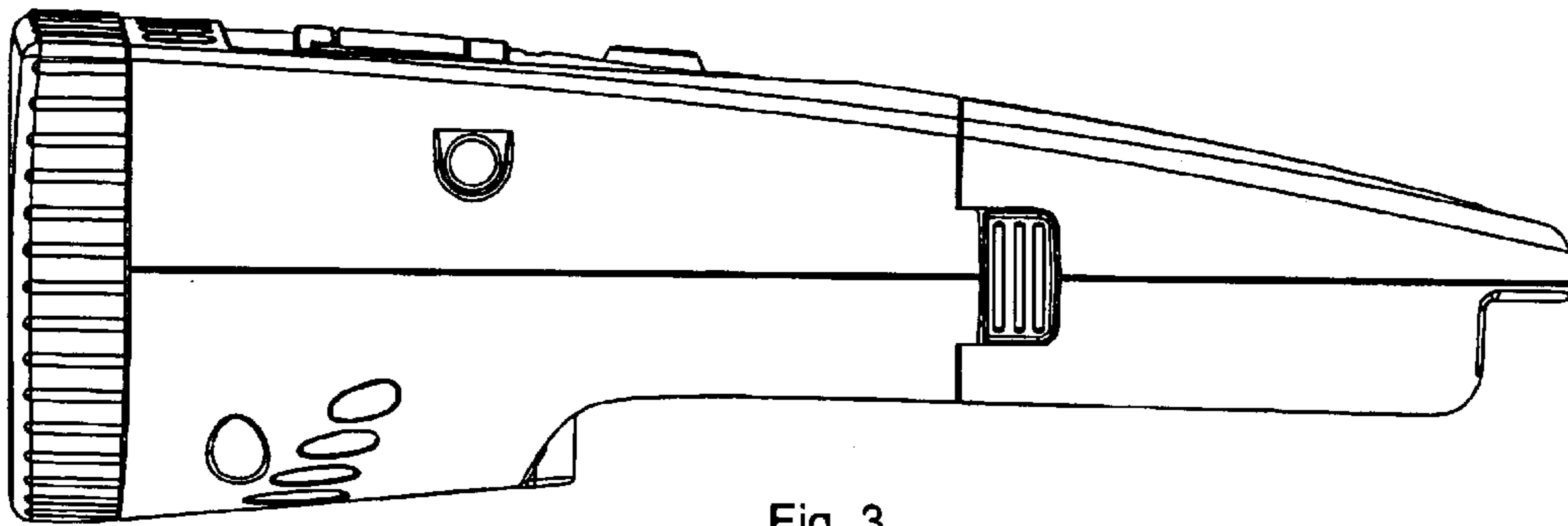


Fig. 3

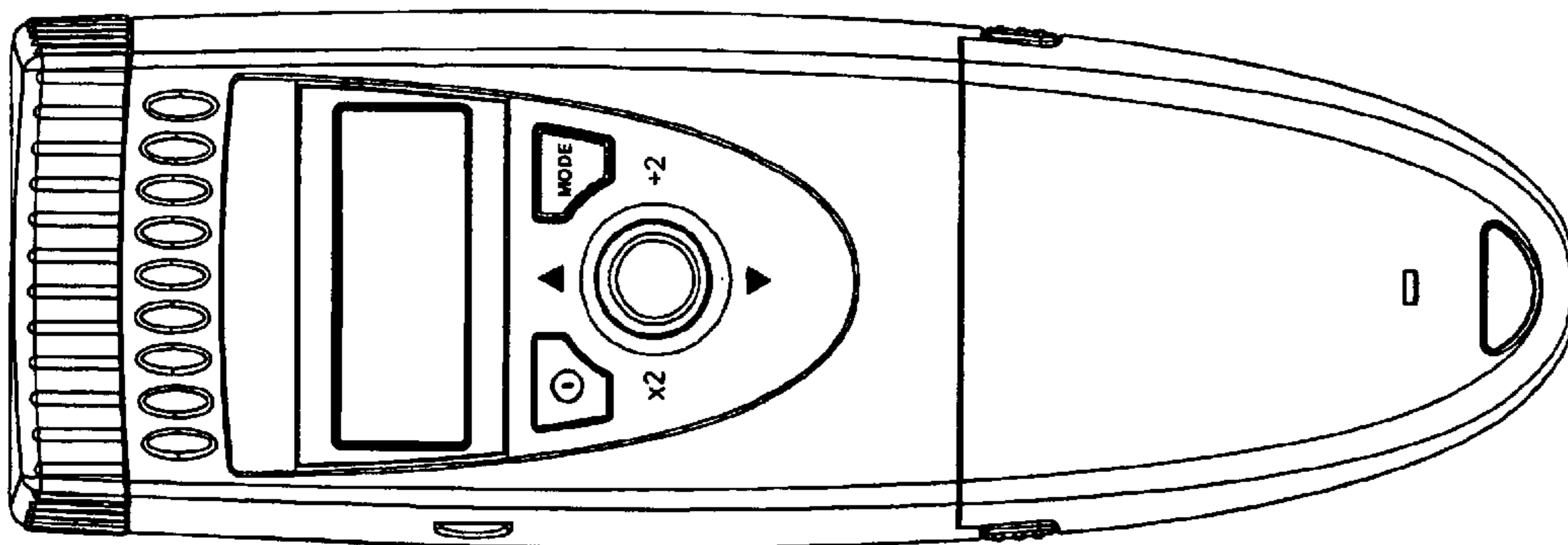


Fig. 4

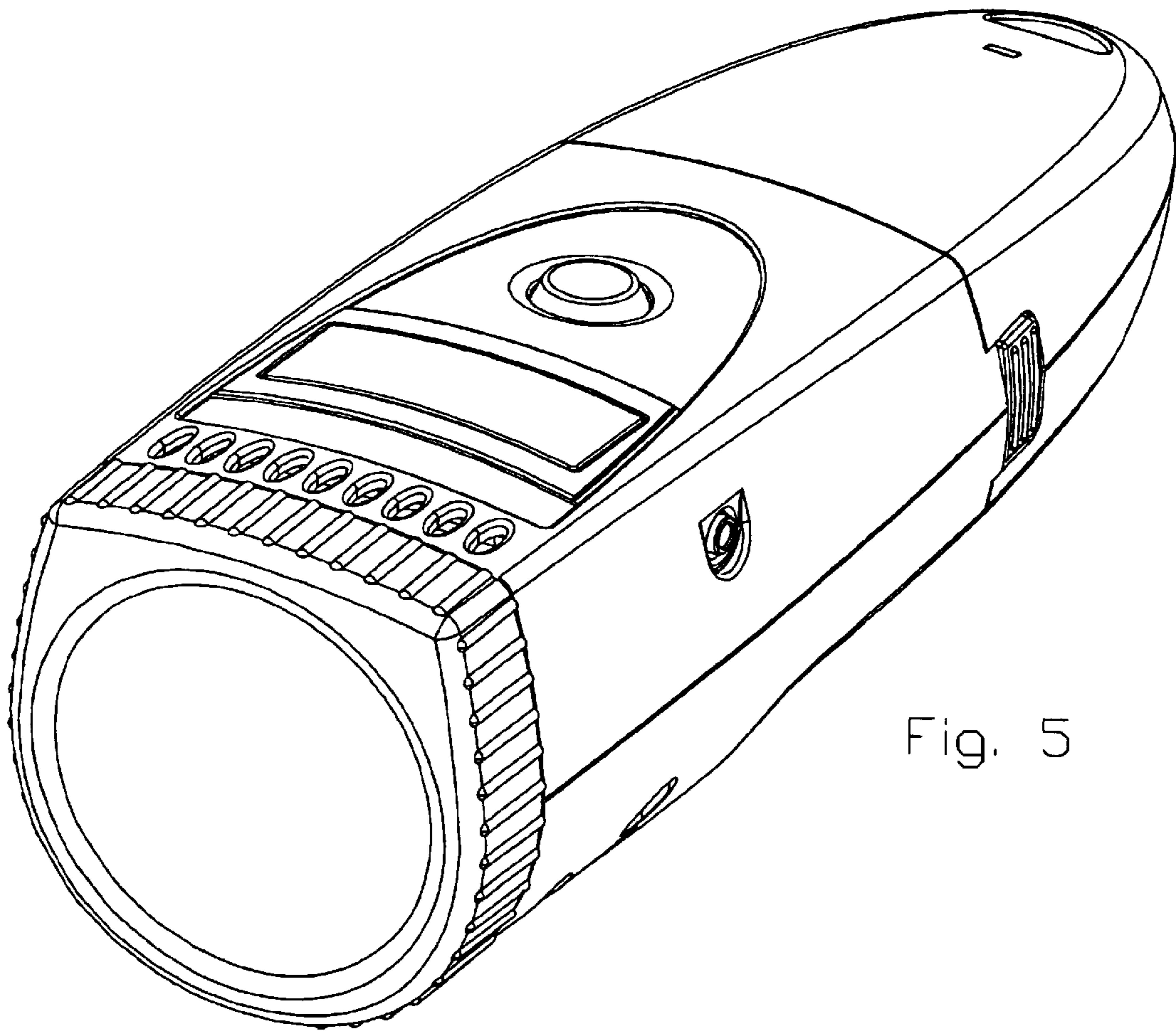


Fig. 5