

US00D492803S1

(12) **United States Design Patent** (10) **Patent No.:** **US D492,803 S**
Moore (45) **Date of Patent:** **** Jul. 6, 2004**

(54) **VEHICLE LAMP**

(76) **Inventor:** **Dennis G. Moore**, 2602 Superior,
Livermore, CA (US) 94550

(**) **Term:** **14 Years**

(21) **Appl. No.:** **29/193,057**

(22) **Filed:** **Nov. 3, 2003**

(51) **LOC (7) Cl.** **26-06**

(52) **U.S. Cl.** **D26/28**

(58) **Field of Search** D26/28-36; 362/61,
362/80, 81, 82, 83, 83.4, 267, 269, 275,
330-340

(56) **References Cited**

U.S. PATENT DOCUMENTS

D249,739 S	9/1978	Moore	
4,281,367 A	7/1981	Moore	
D470,257 S *	2/2003	Byggmestar	D26/28
D471,656 S *	3/2003	Poon	D26/28
D477,427 S *	7/2003	Mazziotti	D26/28

* cited by examiner

Primary Examiner—Marcus A. Jackson
(74) Attorney, Agent, or Firm—August E. Roehrig, Jr.;
Hancock & Estabrook, LLP

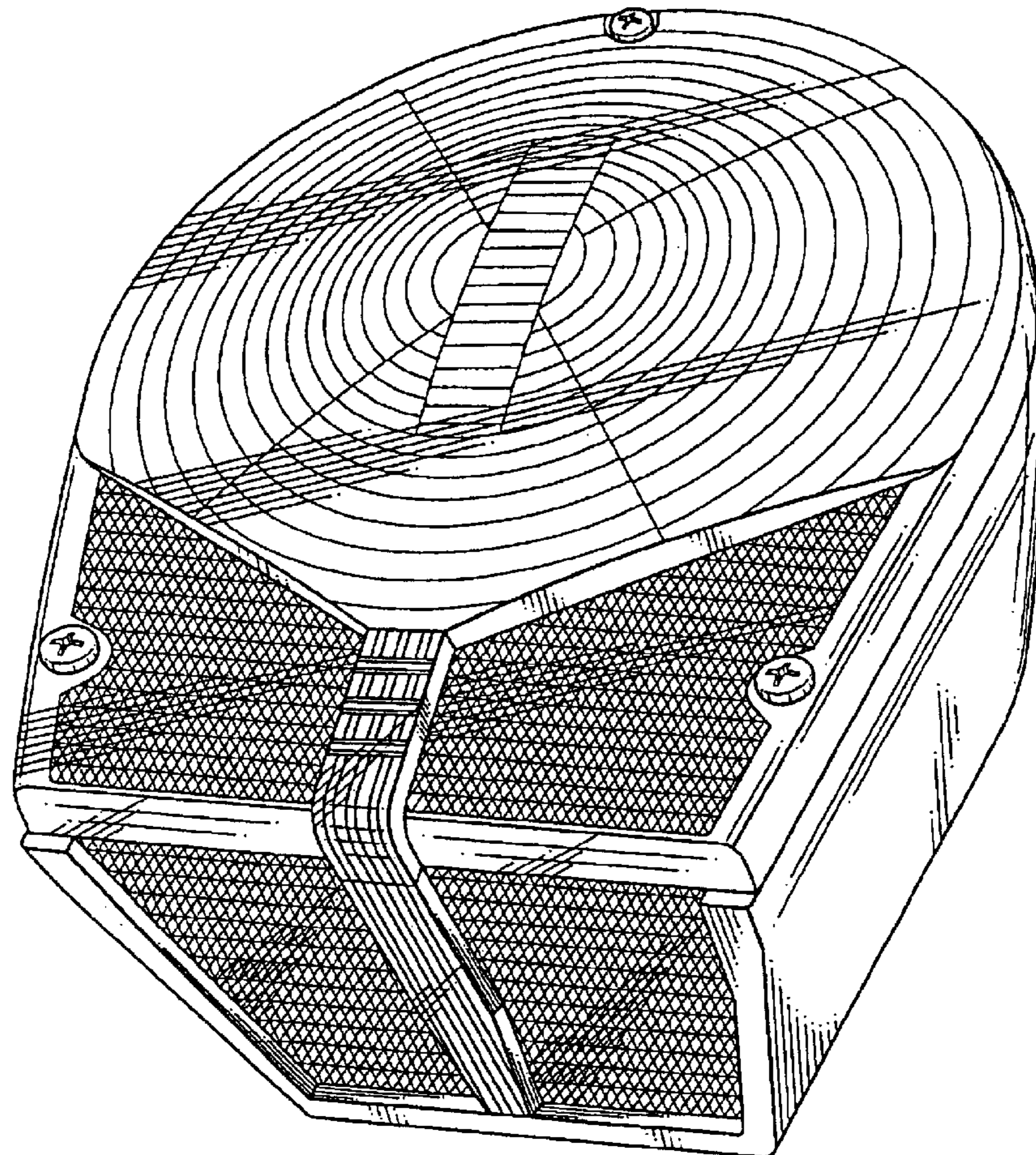
(57) **CLAIM**

The ornamental design for a vehicle lamp, as shown and described.

DESCRIPTION

FIG. 1 is a front perspective view of the vehicle lamp of my invention;
FIG. 2 is a front elevational view if the vehicle lamp lamp illustrated in FIG. 1;
FIG. 3 is a bottom elevational view of the vehicle lamp lamp illustrated in FIG. 1;
FIG. 4 is a top elevational view of the vehicle lamp lamp illustrated in FIG. 1;
FIG. 5 is a side elevational view of the vehicle lamp lamp illustrated in FIG. 1;
FIG. 6 is a side elevational view opposite to the side illustrated in FIG. 5 of the vehicle lamp; and,
FIG. 7 is a rear view of the vehicle lamp illustrated in FIG. 1.

1 Claim, 5 Drawing Sheets



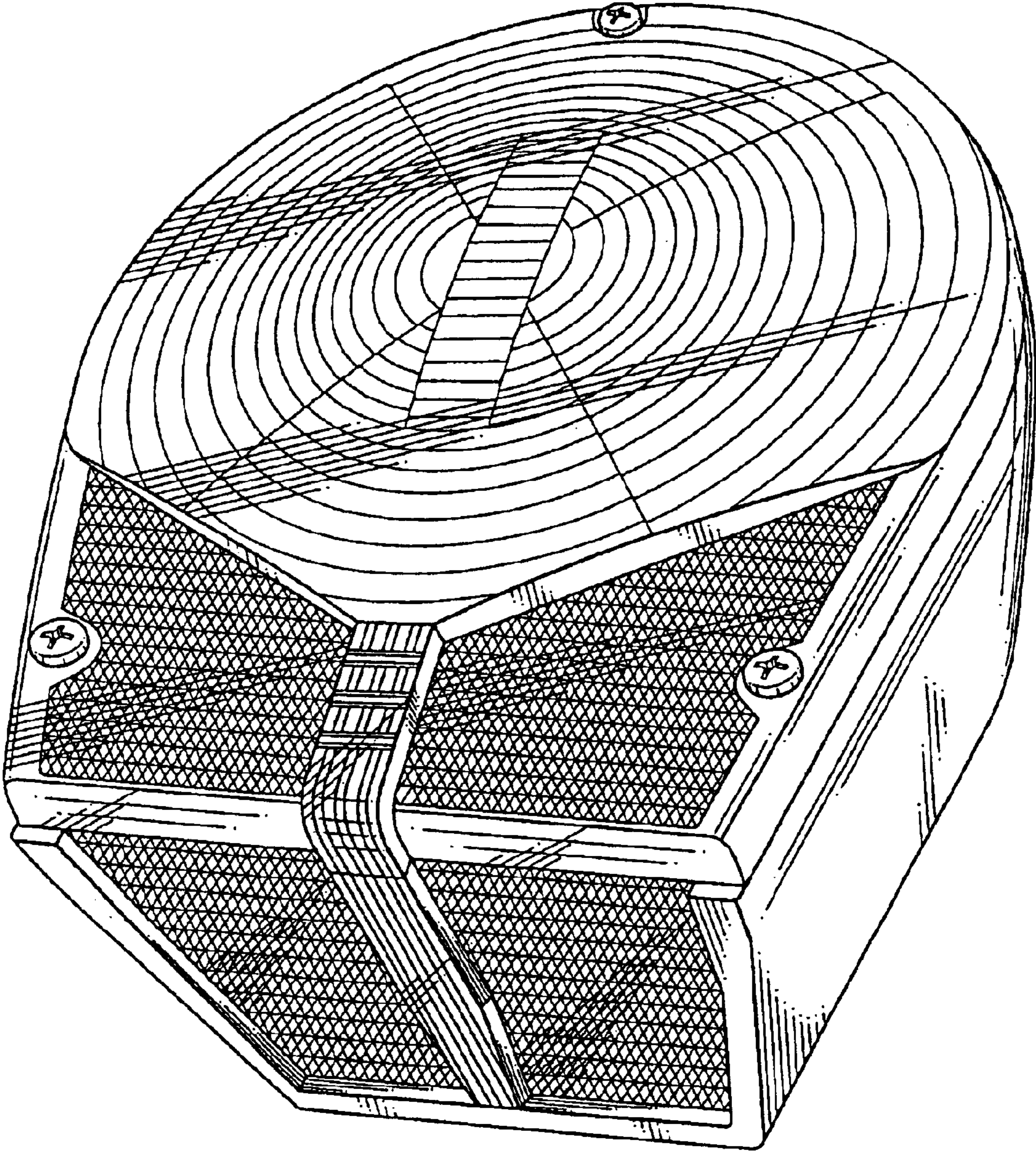


FIG. 1

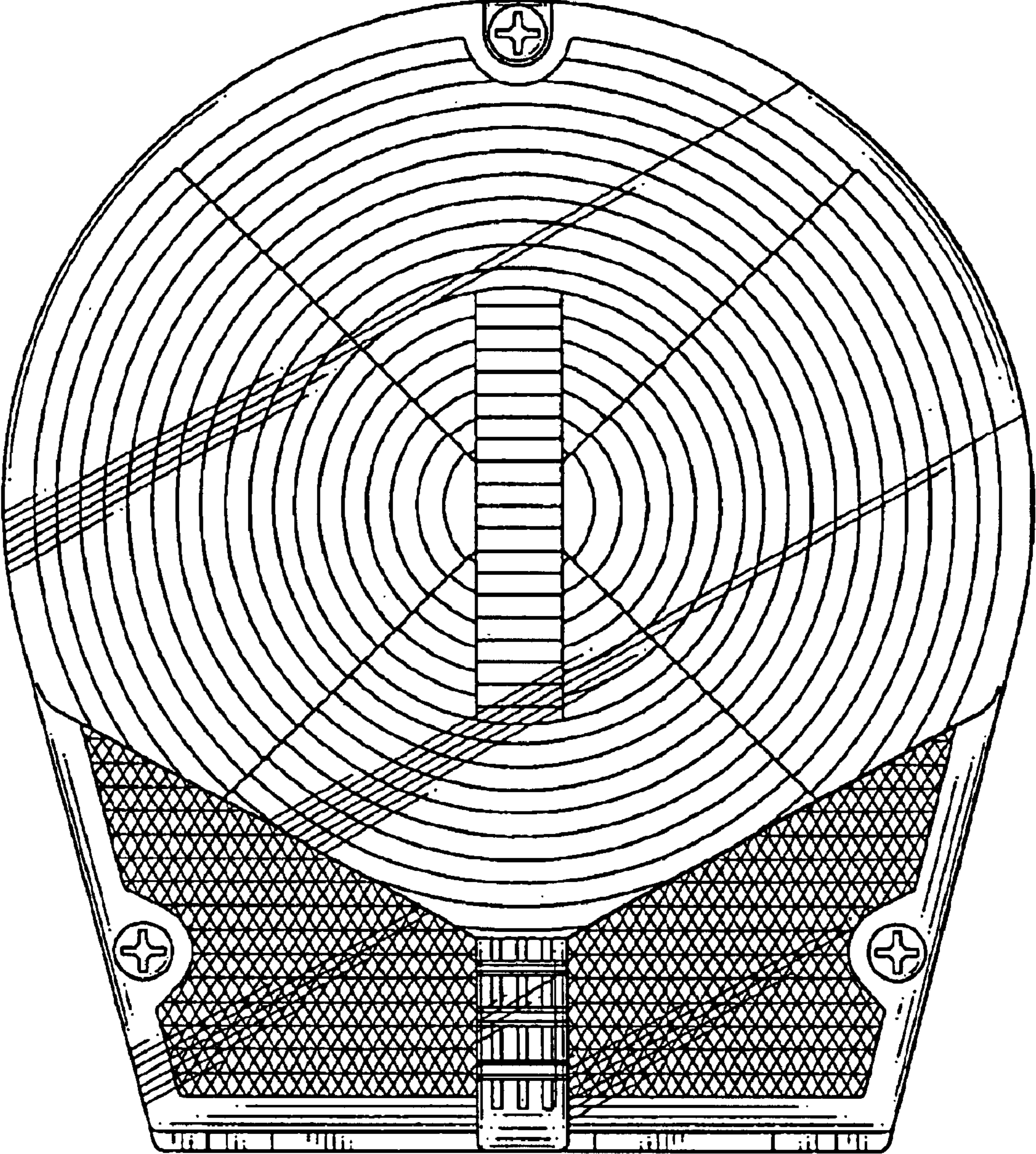


FIG. 2

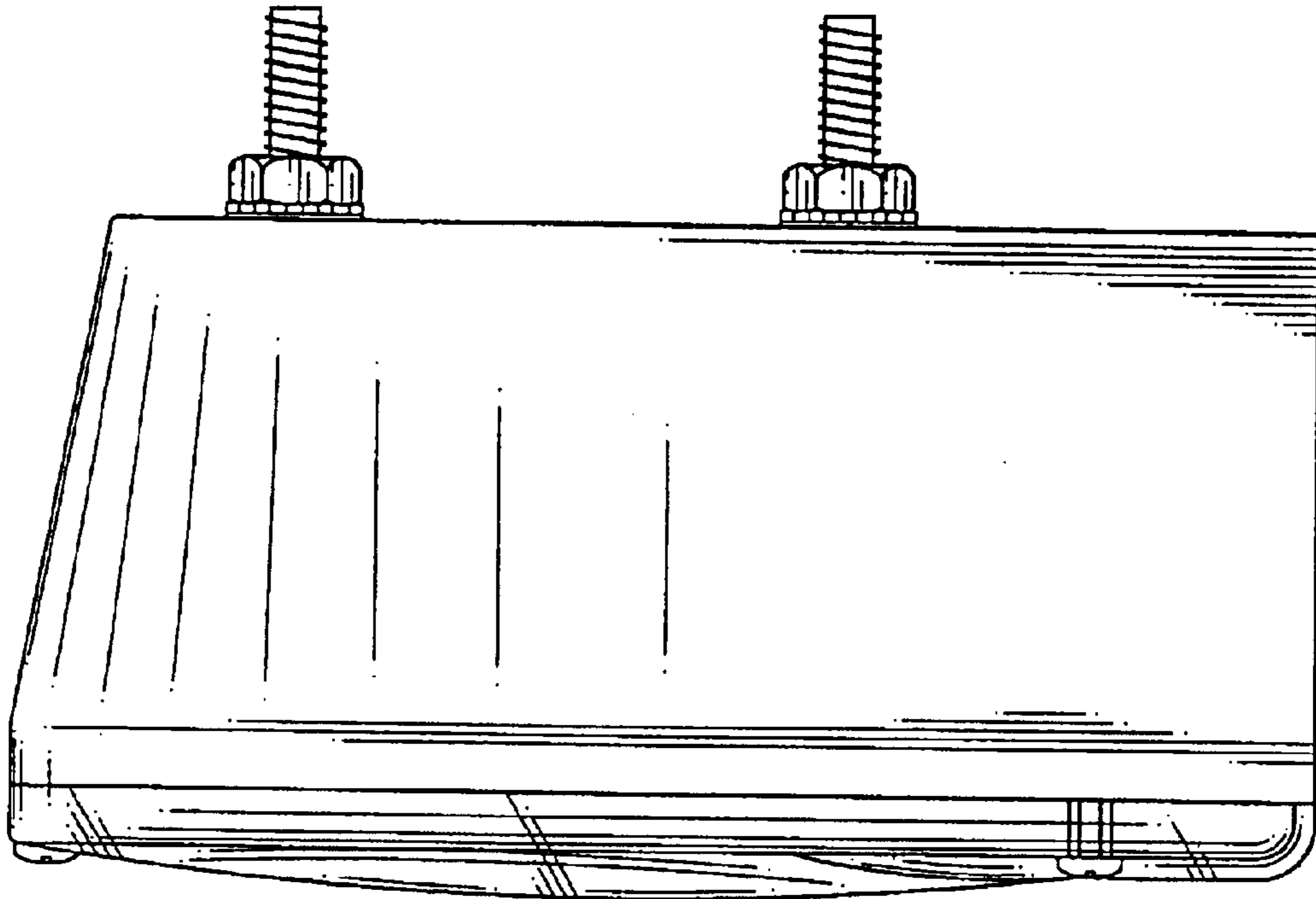


FIG. 4

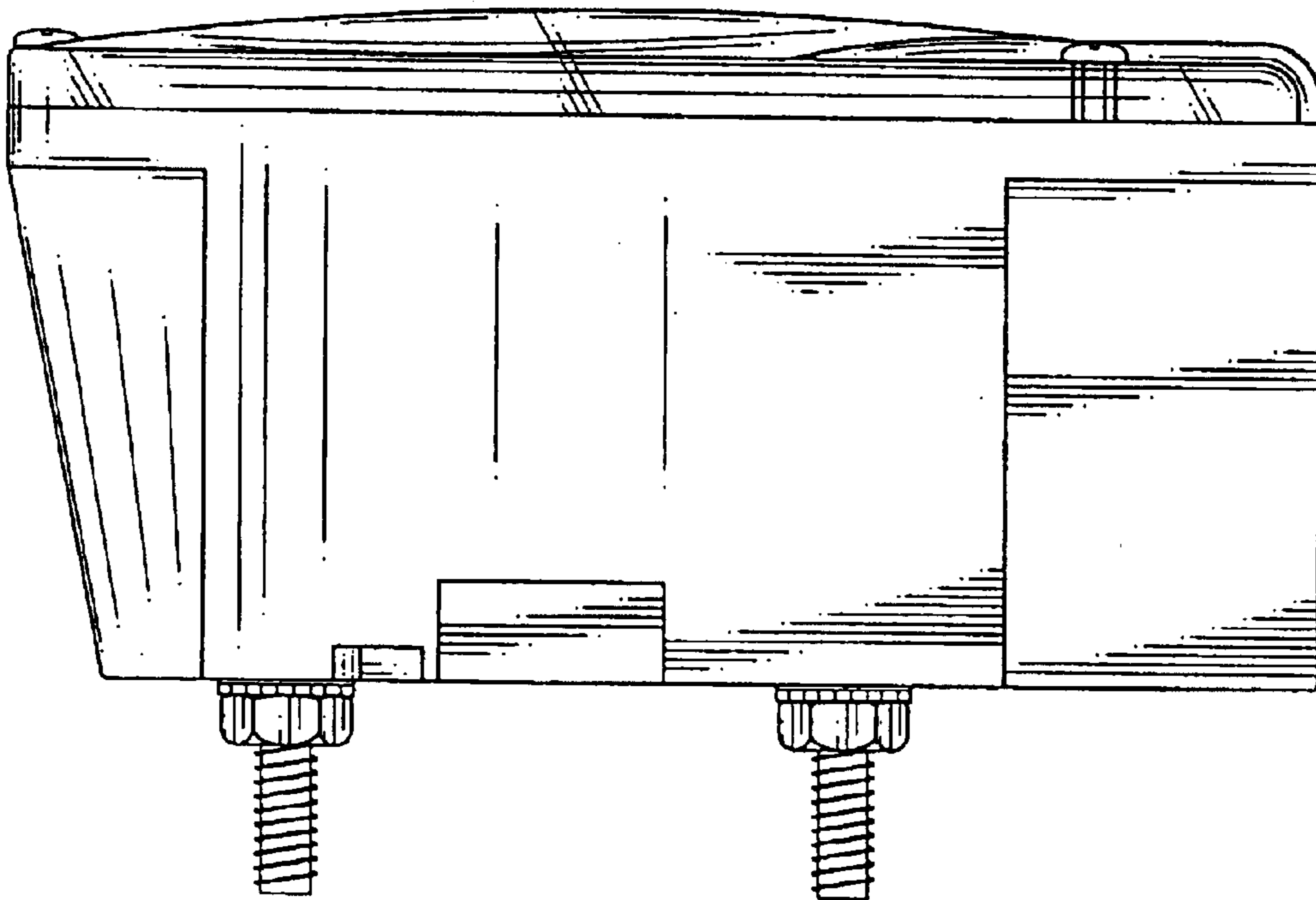


FIG. 3

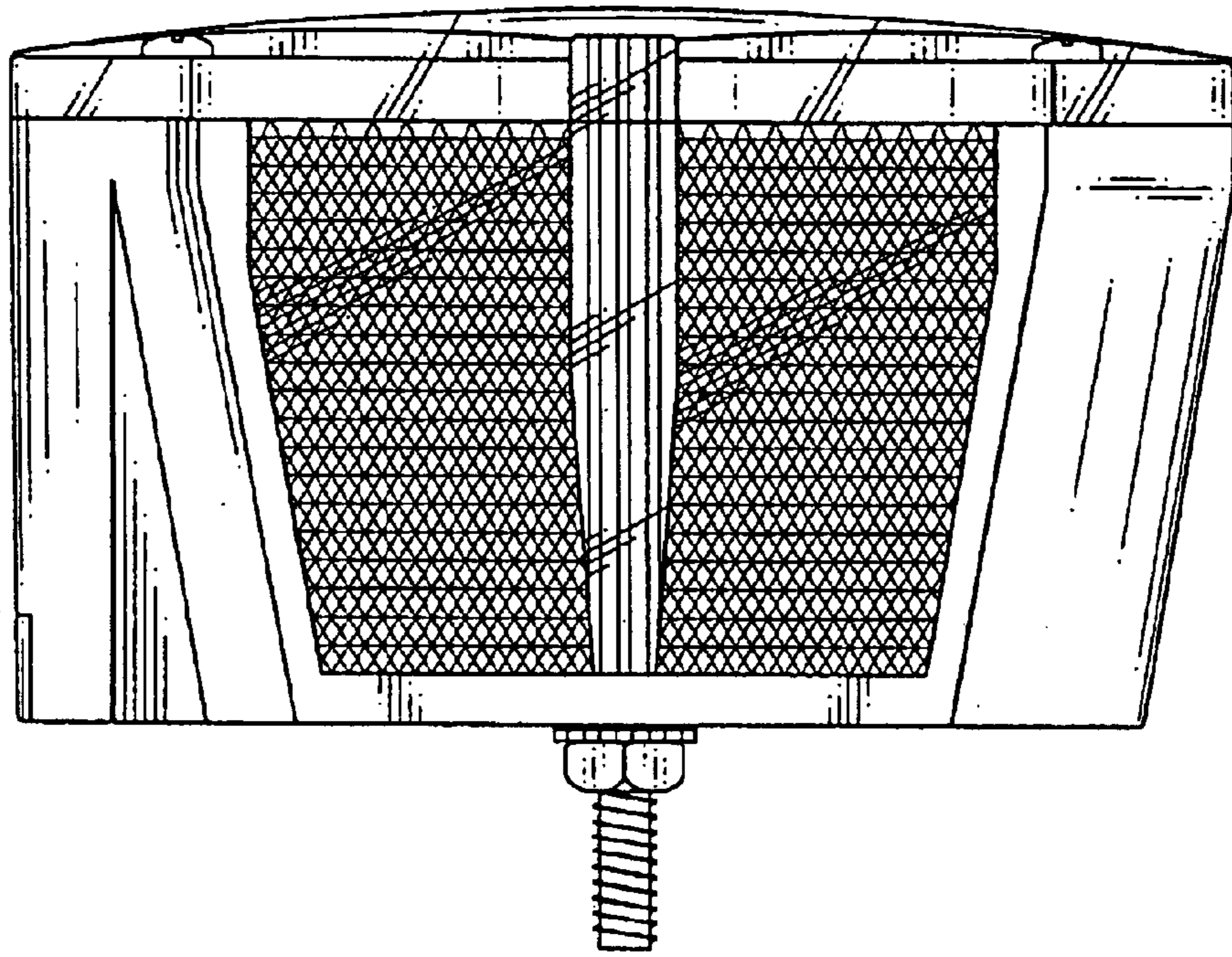


FIG. 5

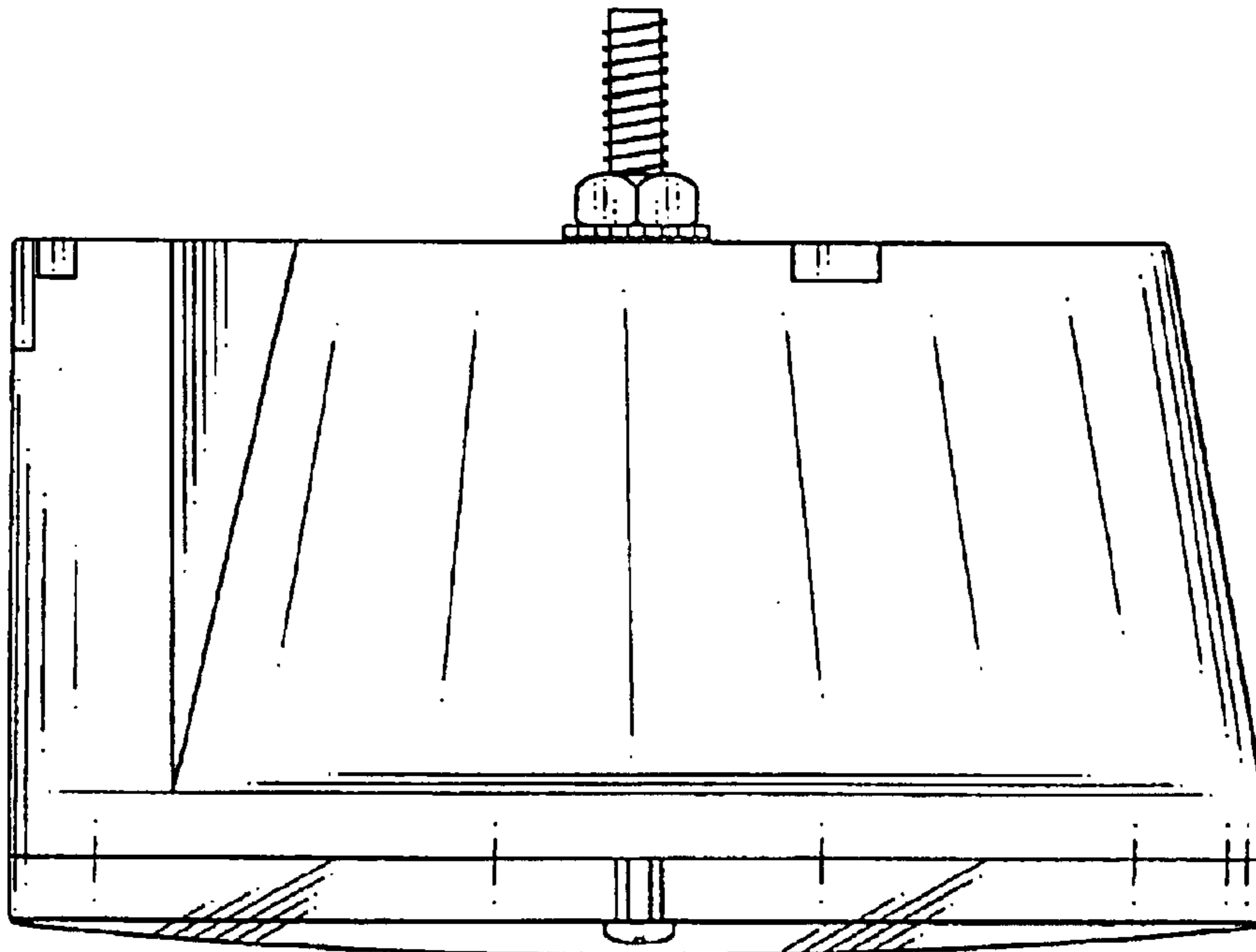


FIG. 6

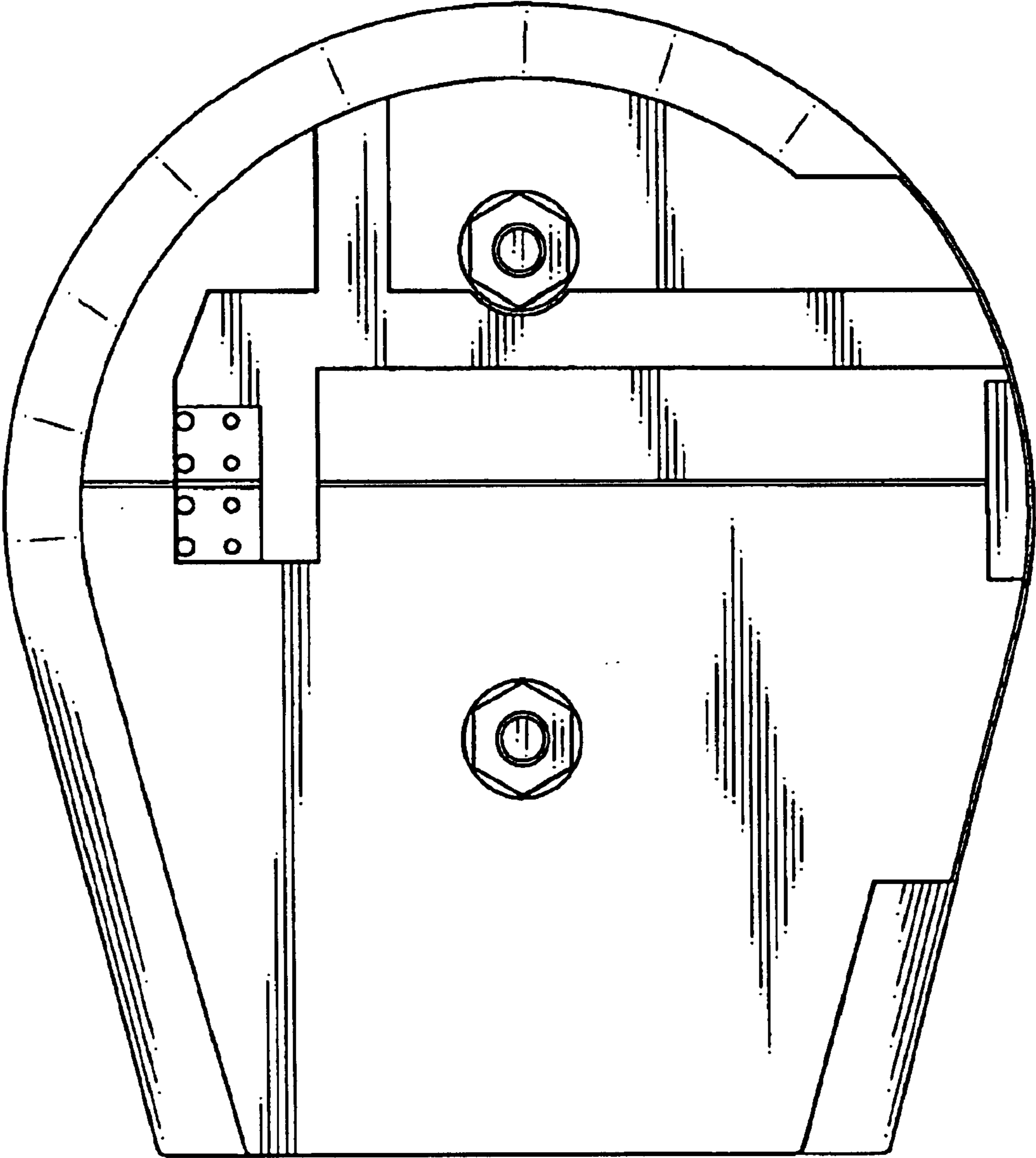


FIG.7