

US00D492800S1

(12) **United States Design Patent**
Yuen

(10) **Patent No.:** **US D492,800 S**
(45) **Date of Patent:** **** Jul. 6, 2004**

(54) **STAR SHAPE SOFT GLOW NIGHT LIGHT**

(75) Inventor: **John Se Kit Yuen**, Kowloon (HK)

(73) Assignee: **John Manufacturing Limited**,
Kowloon (CN)

(**) Term: **14 Years**

(21) Appl. No.: **29/177,336**

(22) Filed: **Mar. 6, 2003**

(51) **LOC (7) Cl.** **26-05**

(52) **U.S. Cl.** **D26/26; D26/73**

(58) **Field of Search** D26/26, 73, 4,
D26/16, 32, 57, 95, 125, 146, 147, 156,
93, 104; D11/70, 108, 178, 124, 125, 184;
D23/367, 366; 362/806, 807, 95, 226; D20/36

(56) **References Cited**

U.S. PATENT DOCUMENTS

D65,512 S	*	8/1924	Worstell	D21/440
1,977,126 A	*	10/1934	Graf	362/121
3,014,124 A	*	12/1961	Yakem	362/121
D381,287 S	*	7/1997	Fussell	D11/121
D381,440 S	*	7/1997	Cheung	D26/4
D470,612 S	*	2/2003	Kit	D26/26

OTHER PUBLICATIONS

Taiwan Lighting, Nov. 1999; Far East Connection's item #007-129 in bottom right photo.*

Hong Kong Enterprise vol. 2; 2000. p. 68; item # TC170. Bottom right of page.*

* cited by examiner

Primary Examiner—Clare E. Heflin

(74) *Attorney, Agent, or Firm*—Alix, Yale & Ristas, LLP

(57) **CLAIM**

The ornamental design for a star shape soft glow night light, as shown and described.

DESCRIPTION

FIG. 1 is a frontal perspective view of the star shape soft glow night light showing my new design;

FIG. 2 is a rear perspective view of the star shape soft glow night light of FIG. 1;

FIG. 3 is a front view of the star shape soft glow night light of FIG. 1;

FIG. 4 is a right side view of the star shape soft glow night light of FIG. 1;

FIG. 5 is a left side view of the star shape soft glow night light of FIG. 1;

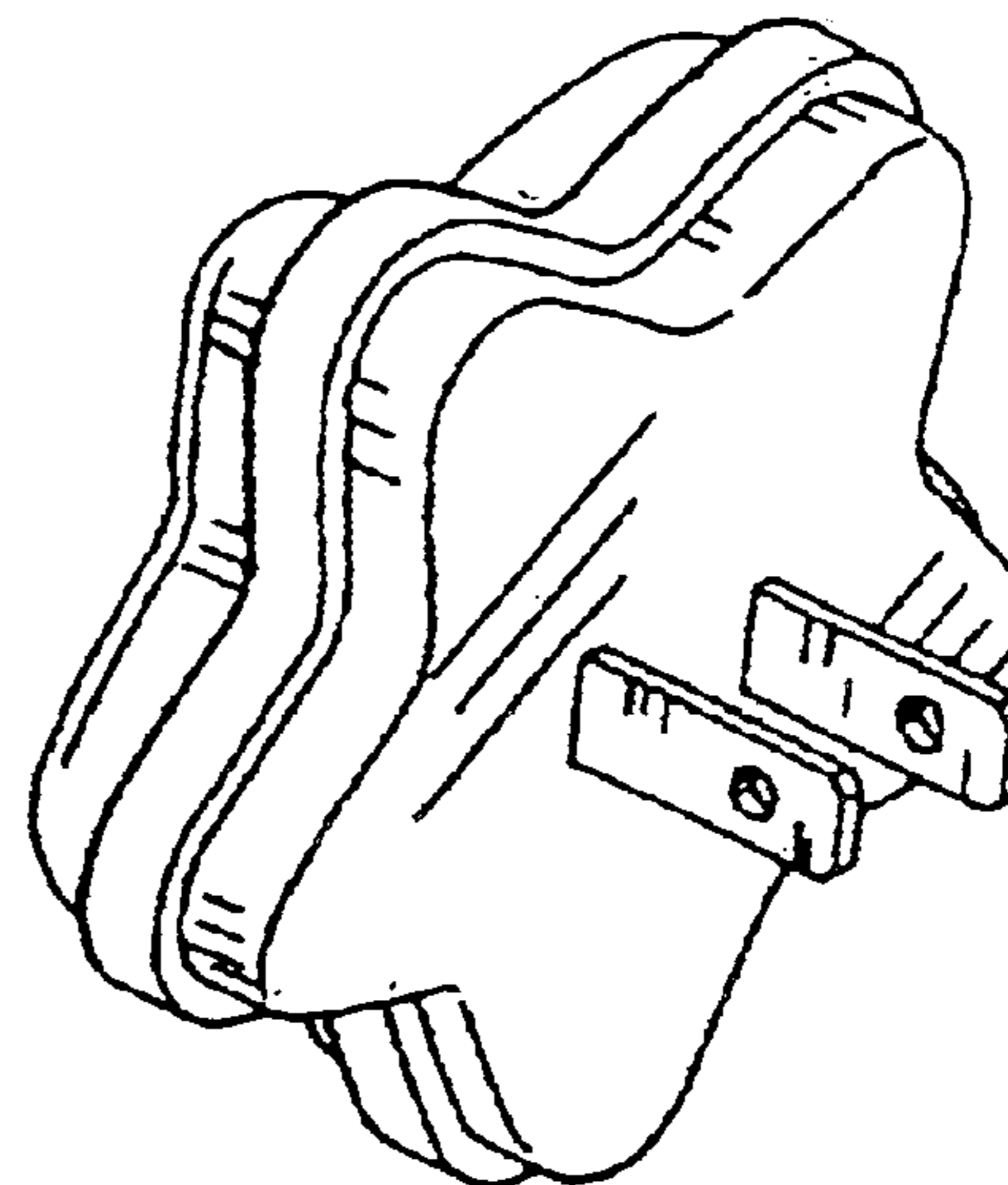
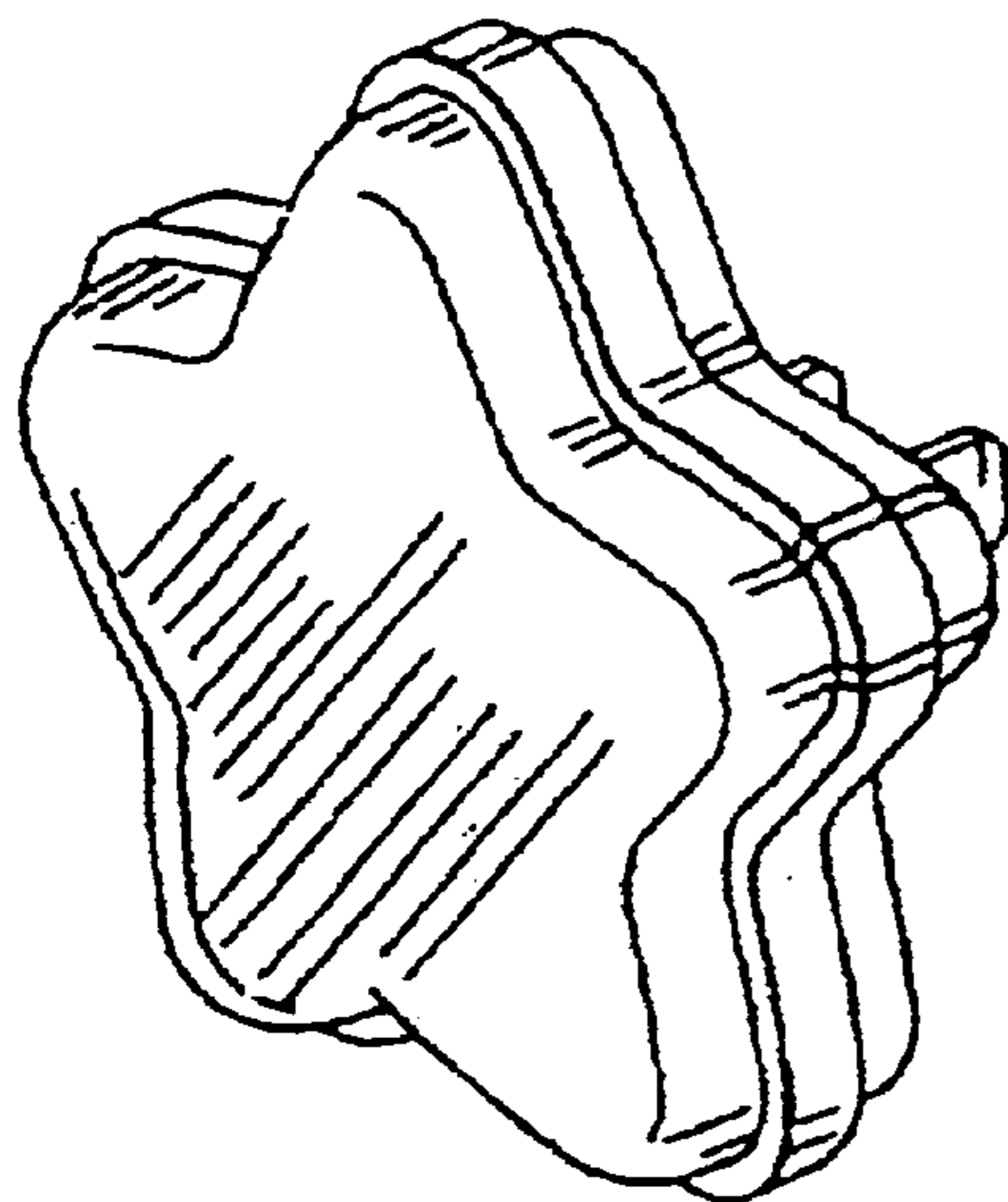
FIG. 6 is a rear view of the star shape soft glow night light of FIG. 1;

FIG. 7 is a top plan view of the star shape soft glow night light of FIG. 1; and,

FIG. 8 is a bottom plan view of the star shape soft glow night light of FIG. 1.

No claim is made to plug portions of the star shape soft glow night light which are shown in broken lines.

1 Claim, 2 Drawing Sheets



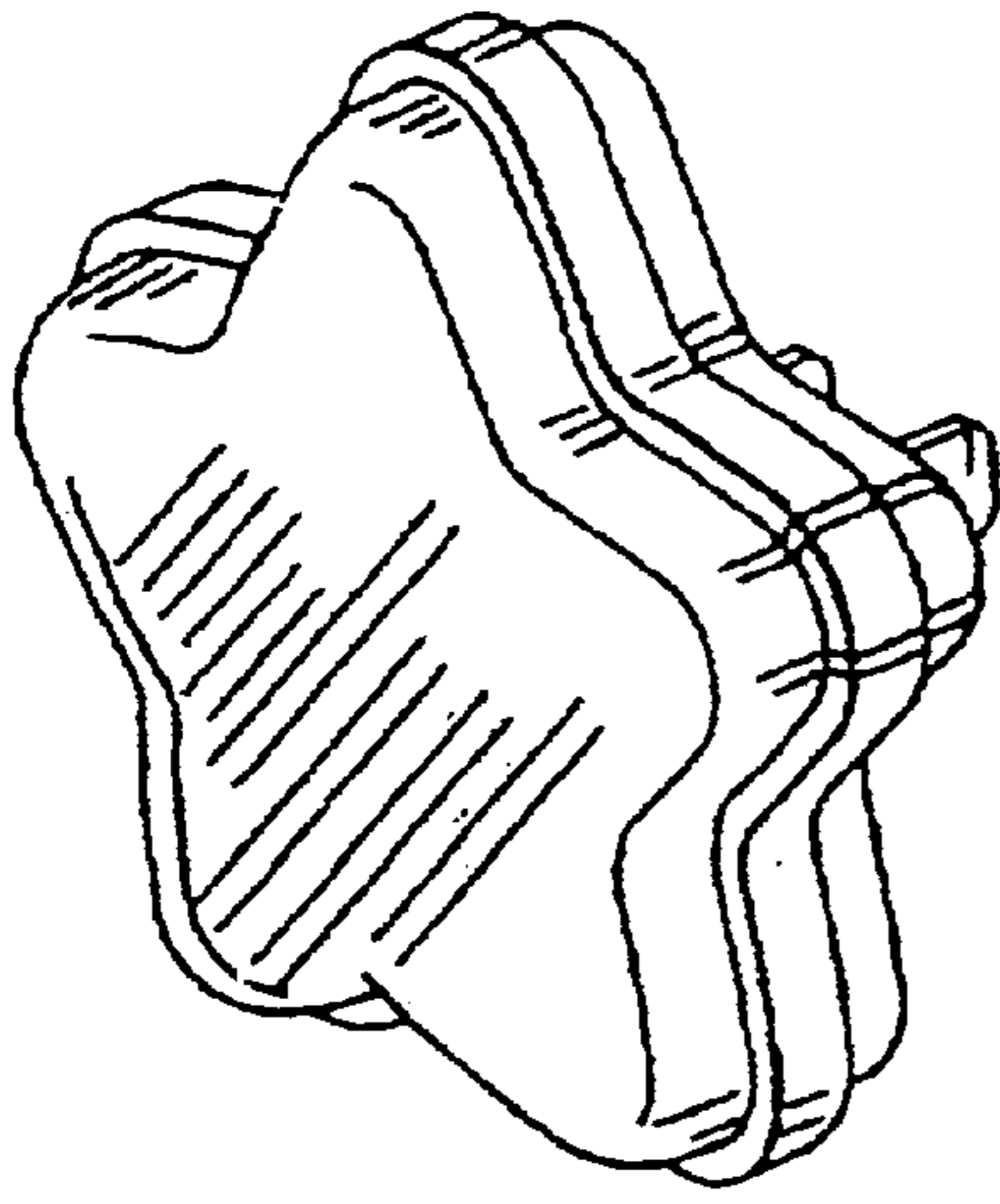


Figure 1

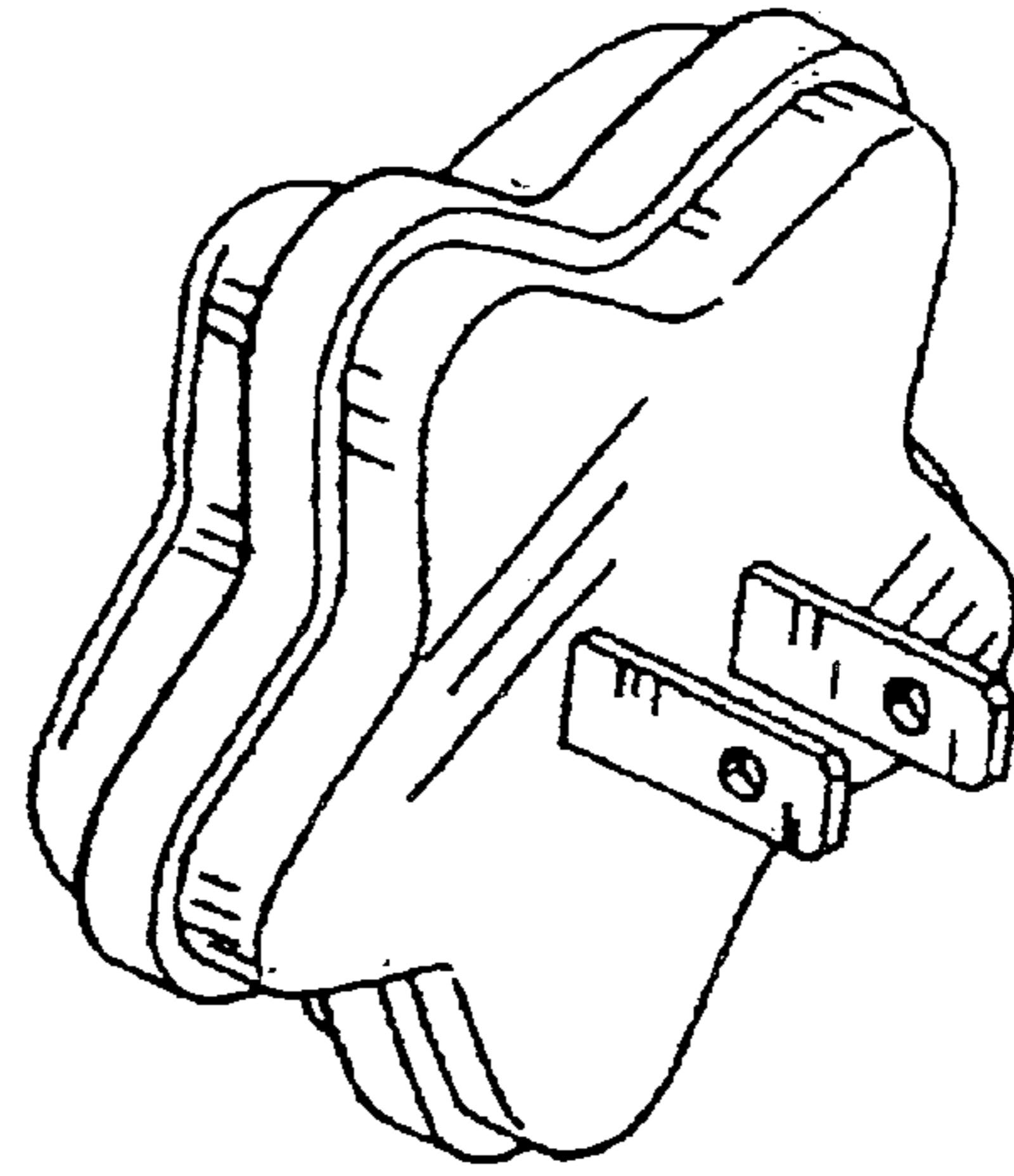


Figure 2

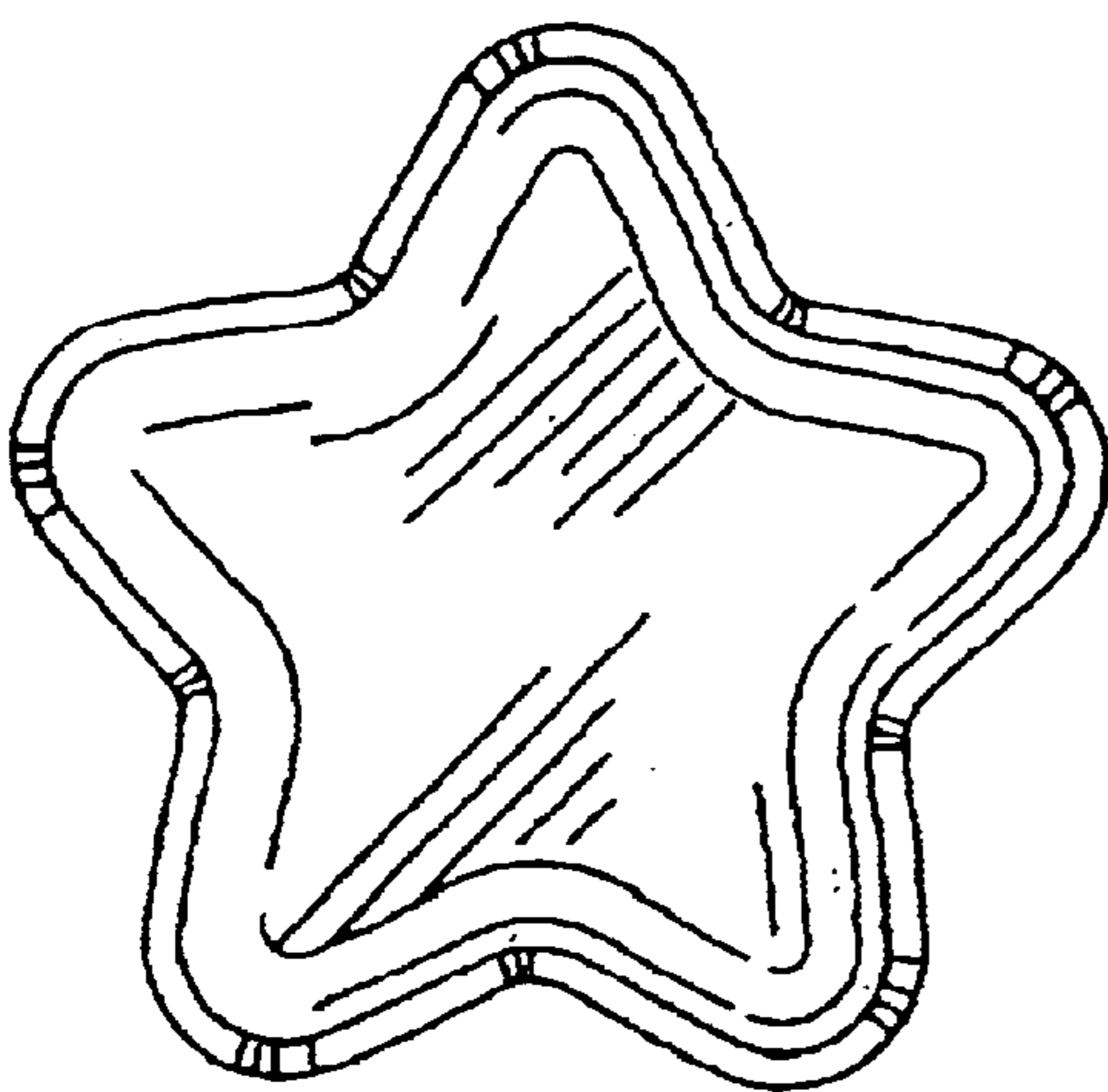


Figure 3

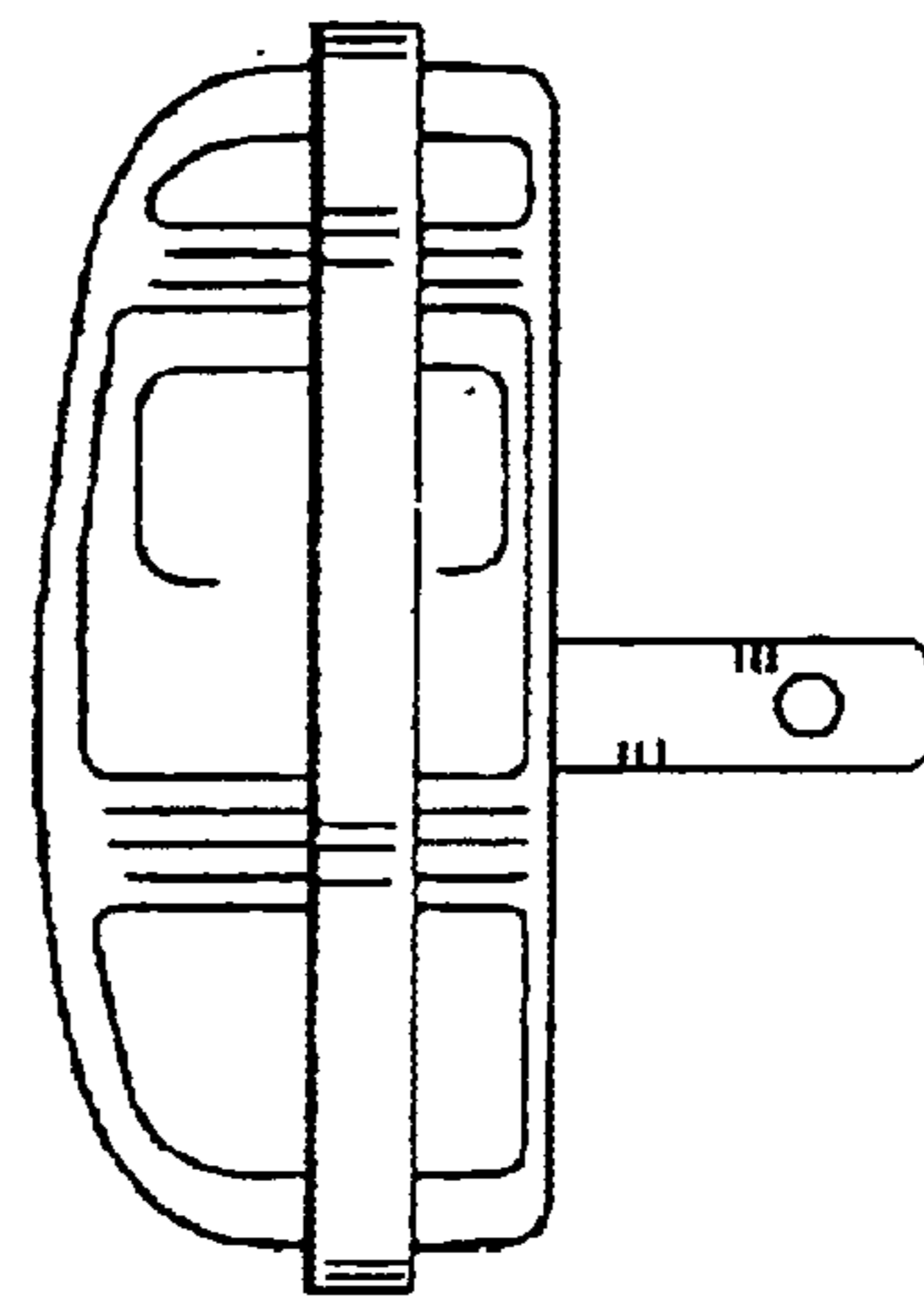


Figure 4

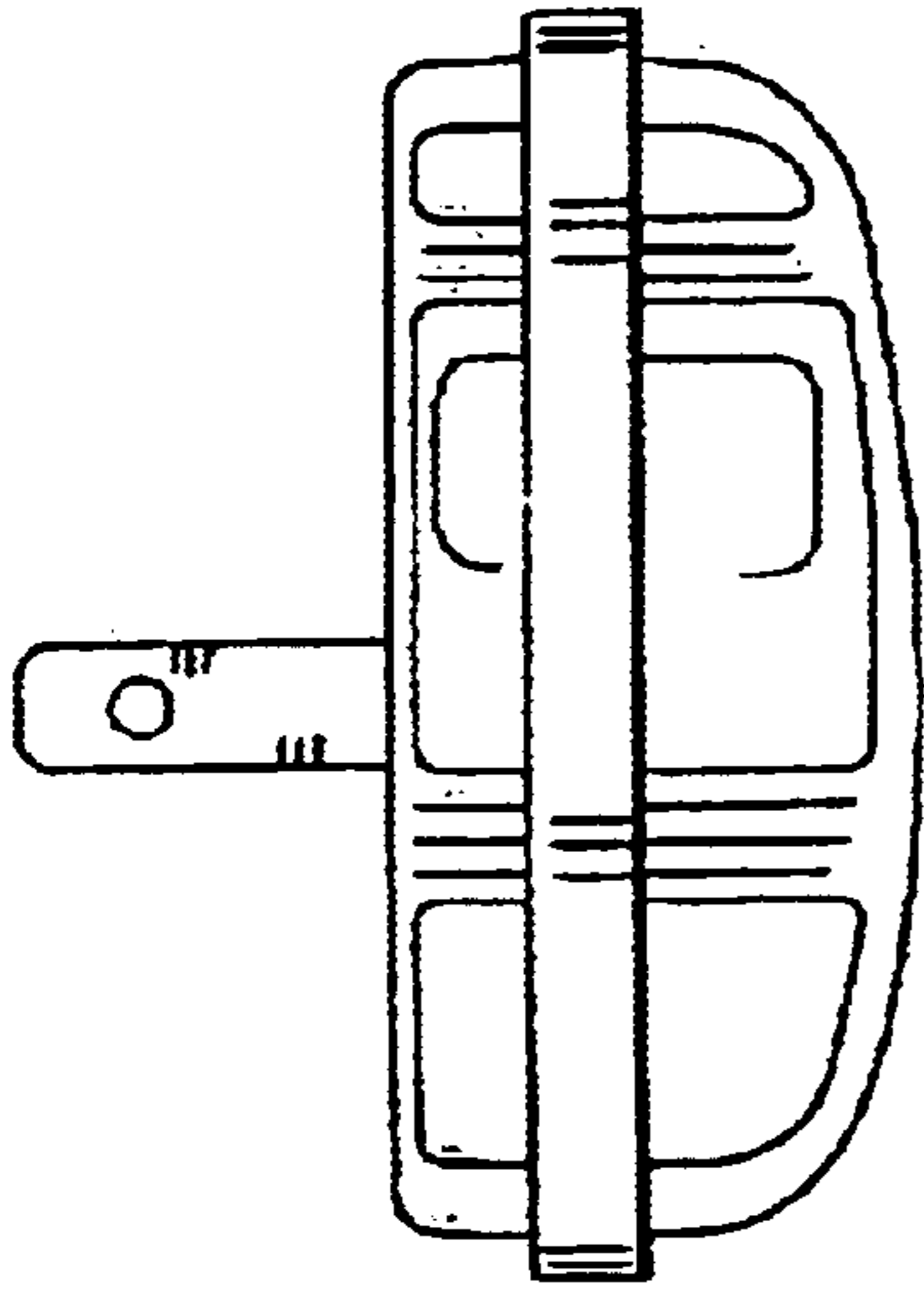


Figure 5

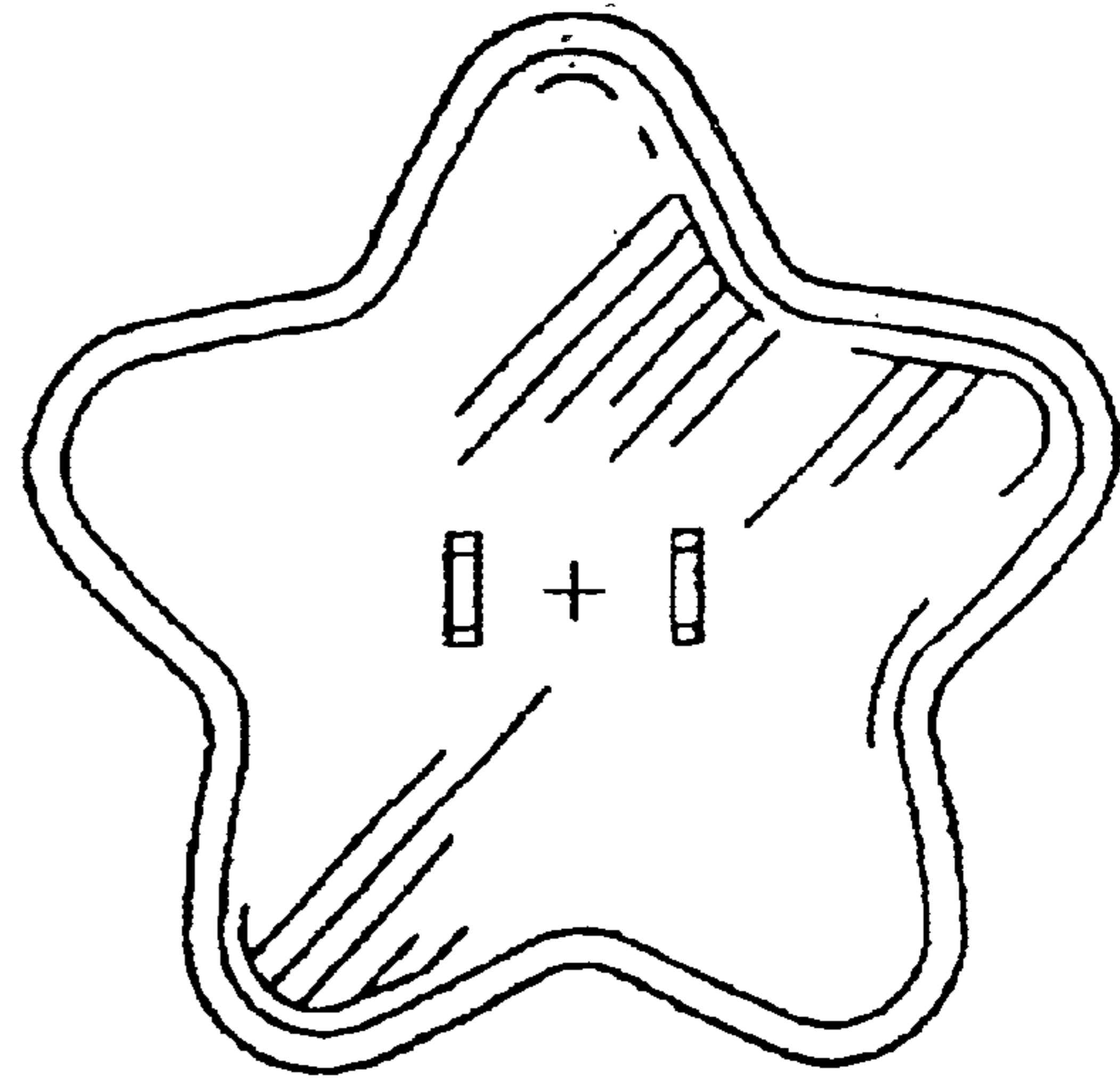


Figure 6

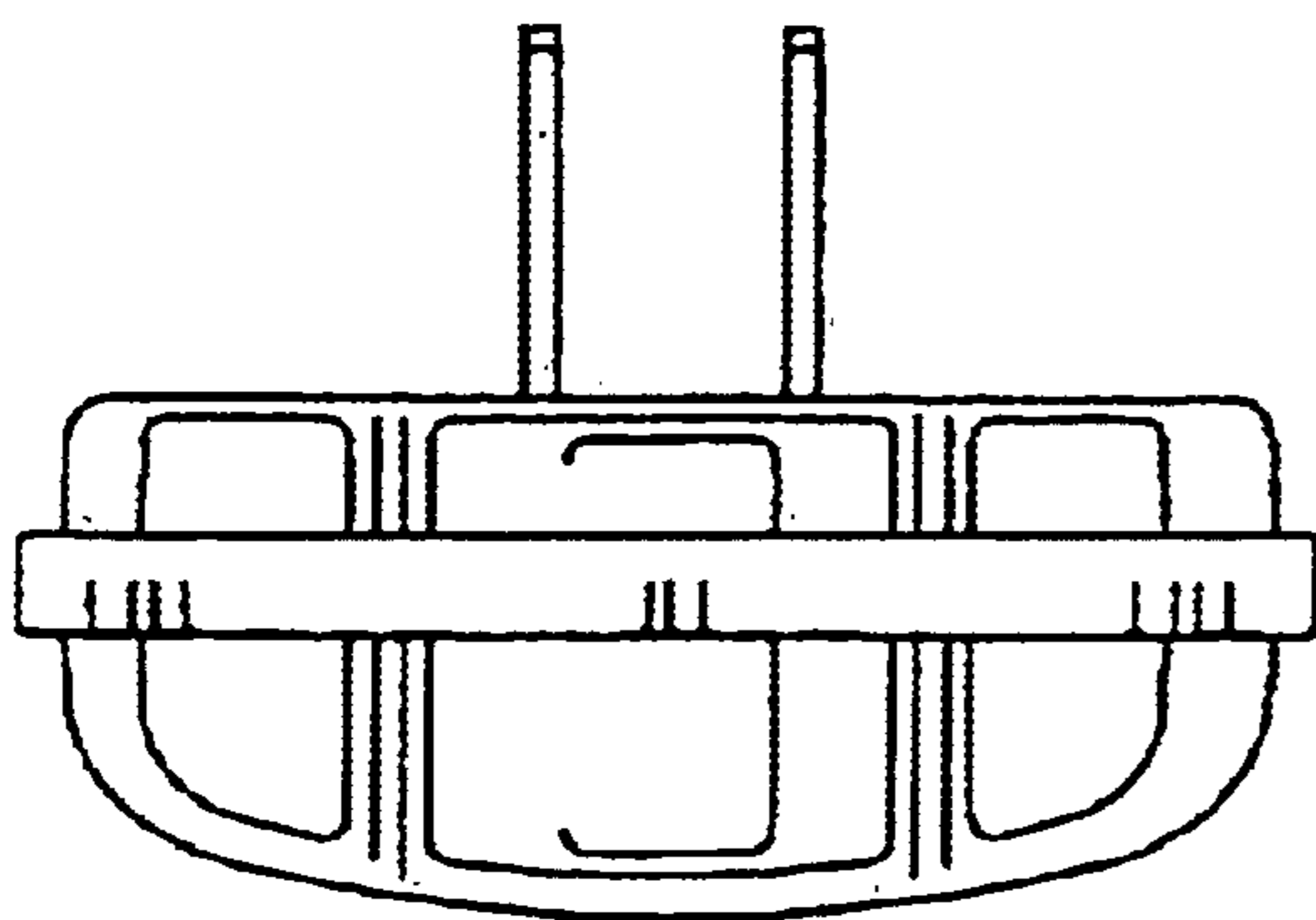


Figure 7

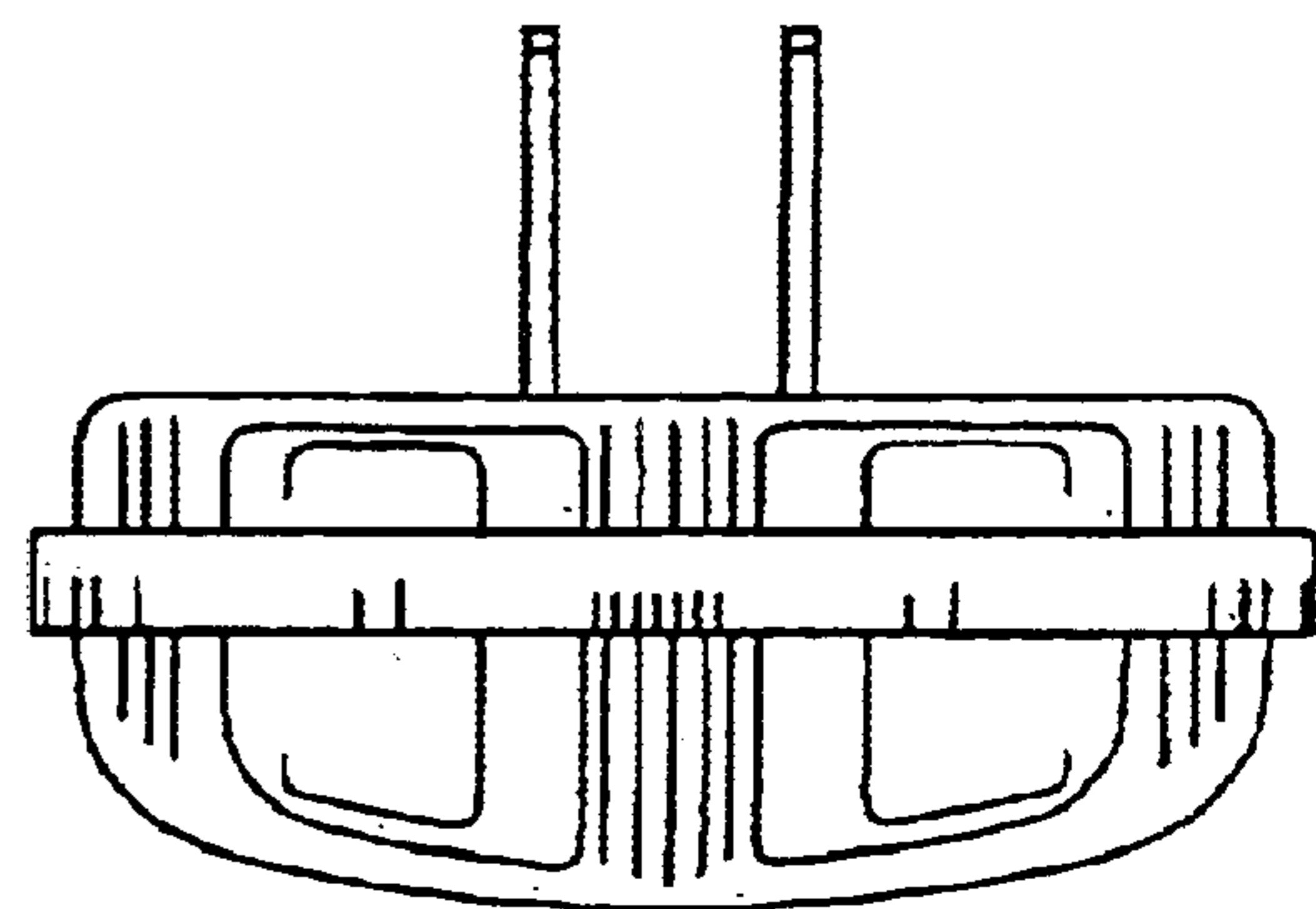


Figure 8