

US00D492799S1

(12) **United States Design Patent** (10) **Patent No.: US D492,799 S**
Friedman (45) **Date of Patent: ** Jul. 6, 2004**

(54) **PLUG IN NIGHTLIGHT/FRAGRANCE
DIFFUSER COVER**

(76) Inventor: **Pamela Friedman**, 160 E. 38th St.,
New York, NY (US) 10016

(**) Term: **14 Years**

(21) Appl. No.: **29/165,541**

(22) Filed: **Aug. 12, 2002**

(51) **LOC (7) Cl.** **26-05**

(52) **U.S. Cl.** **D26/26**

(58) **Field of Search** D26/26, 73, 4,
D26/32, 47, 124, 125, 118; D11/142; D23/367;
362/248, 296, 300, 311, 347, 349, 355,
361, 226, 276, 282, 95, 806, 808; D21/604

(56) **References Cited**

U.S. PATENT DOCUMENTS

953,841 A	4/1910	Kahn	
1,230,342 A	6/1917	Thornberg	
1,403,548 A	1/1922	Gudeman	
2,824,216 A	* 2/1958	Brennan	362/311
D189,192 S	* 11/1960	Spagnolo	D11/142
D189,193 S	* 11/1960	Spagnolo	D11/142
3,178,569 A	* 4/1965	Martin	362/296
3,780,260 A	12/1973	Elsner	219/271
4,074,111 A	2/1978	Hunter	219/275
4,579,717 A	4/1986	Gyulay	422/125
4,714,984 A	12/1987	Spector	362/101
4,878,162 A	* 10/1989	Wu	362/226
D355,497 S	* 2/1995	Ancona et al.	D26/26
5,791,774 A	* 8/1998	Briles	362/806
D399,014 S	* 9/1998	Emmerling	D26/26
6,044,202 A	3/2000	Junkel	392/390
D428,169 S	* 7/2000	Veach et al.	D26/26
D429,352 S	* 8/2000	Weinstein	D26/26

6,106,786 A	8/2000	Akahoshi	422/124
D441,468 S	5/2001	Bing	D26/26
D471,300 S	* 3/2003	Cantor et al.	D26/26
6,527,400 B2	* 3/2003	Dickie et al.	362/95

OTHER PUBLICATIONS

Taiwan Lighting, No. 57; Aug. 1999; p. 205; All items in photograph on top half of page.*

CENS Lighting (issued in Taiwan); Oct. 2002; p. 187; All four items in center of page: A-7102-A61; A-7102-A74; A-7102-A102; A7102-A109.*

Home Lighting & Accessories; May 1979; p. 52; All glass shells shown.*

Rockscapes, Inc. "Landscape Illumination Catalog"; p. 30; items W309-R and W307-AS "Eureka".*

* cited by examiner

Primary Examiner—Clare Heflin

(74) *Attorney, Agent, or Firm*—Jack Schwartz & Associates

(57) **CLAIM**

The ornamental design for a plug in nightlight/fragrance diffuser cover, as shown and described.

DESCRIPTION

FIG. 1 is a front view of the Plug In Nightlight/Fragrance Diffuser Cover of the present invention;

FIG. 2 is a rear view thereof;

FIG. 3 is a right side view thereof;

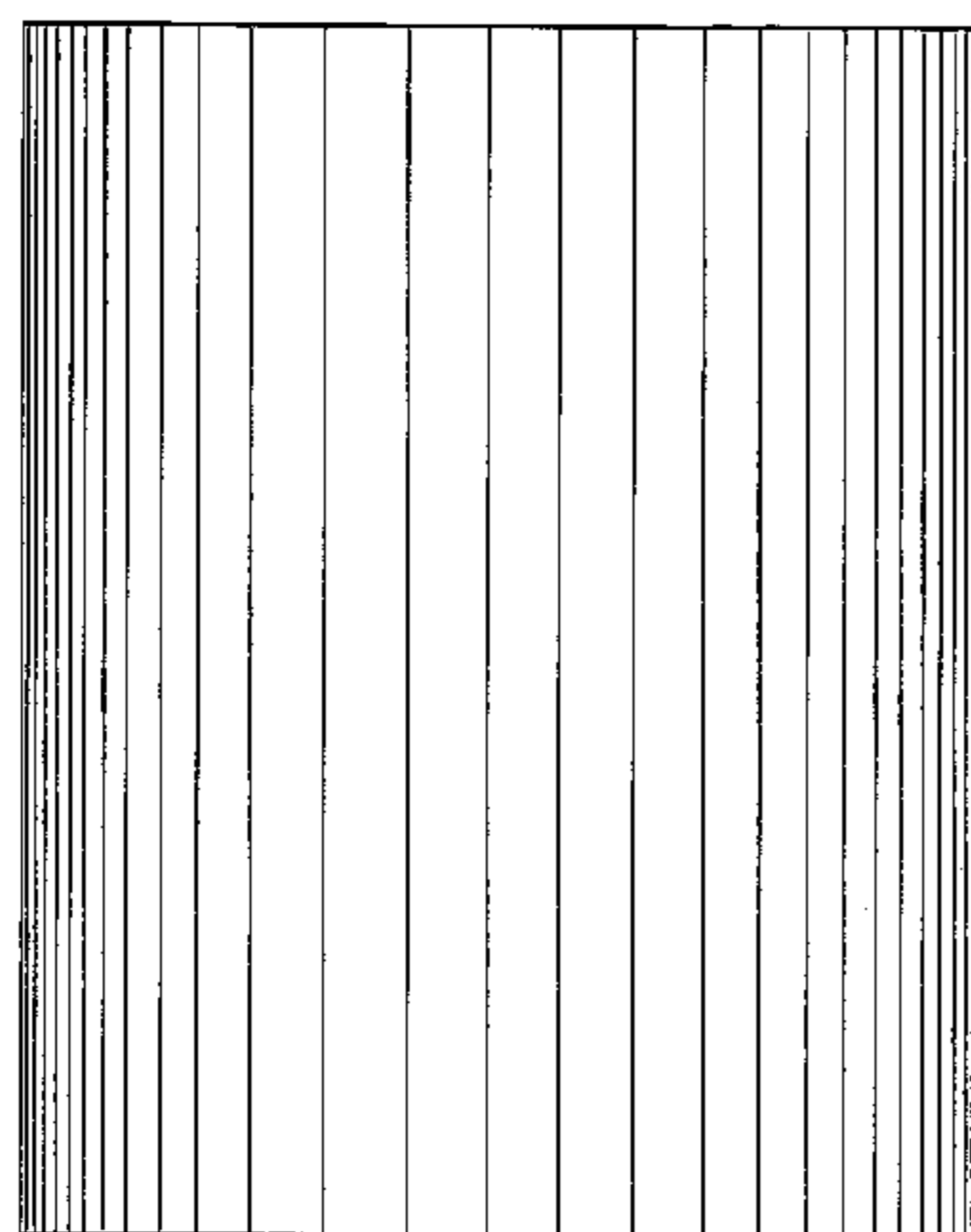
FIG. 4 is a left side view thereof;

FIG. 5 is a top view thereof;

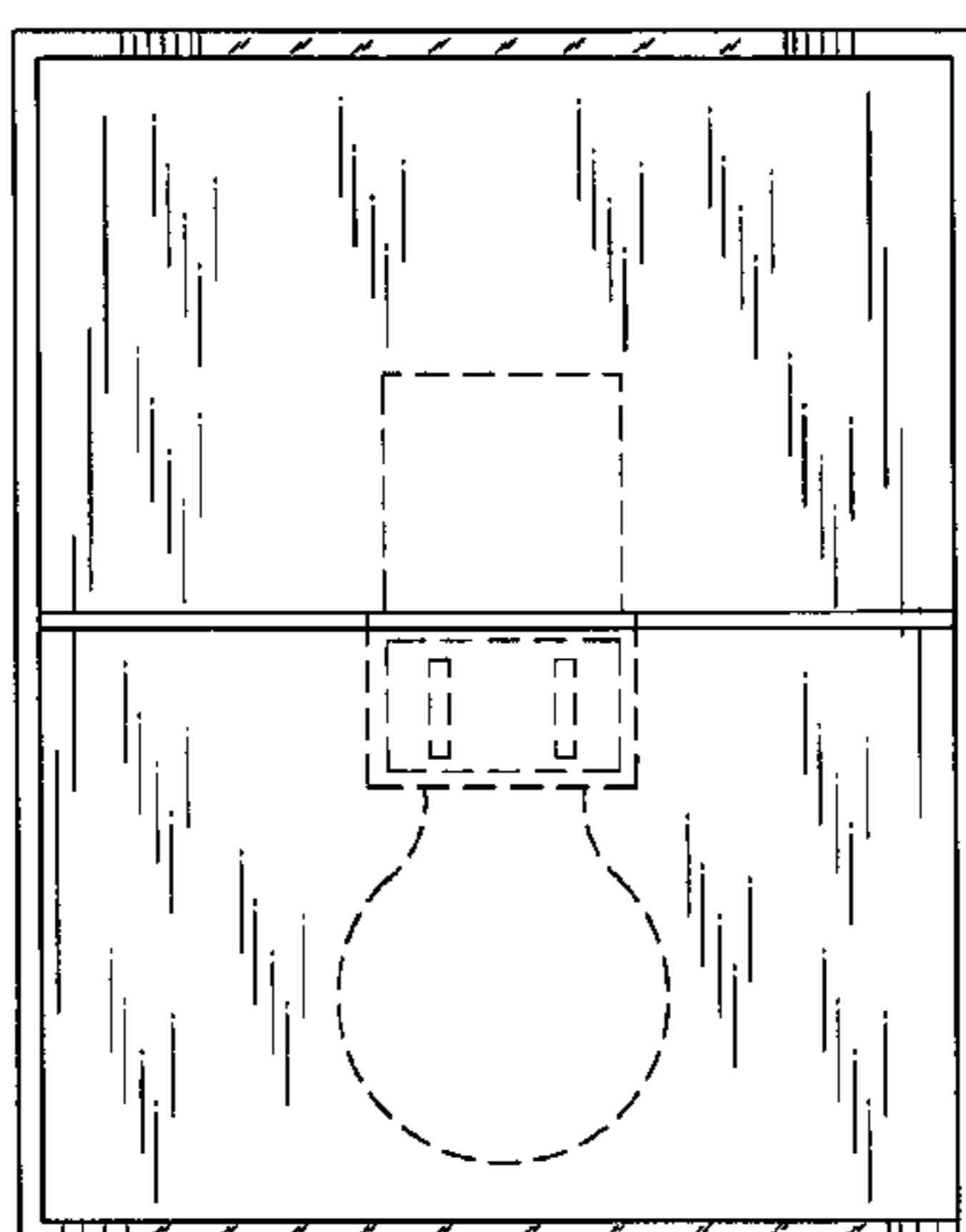
FIG. 6 is a bottom view thereof;

The broken lines shown on the drawings are for illustrative purposes only and form no part of the claimed design.

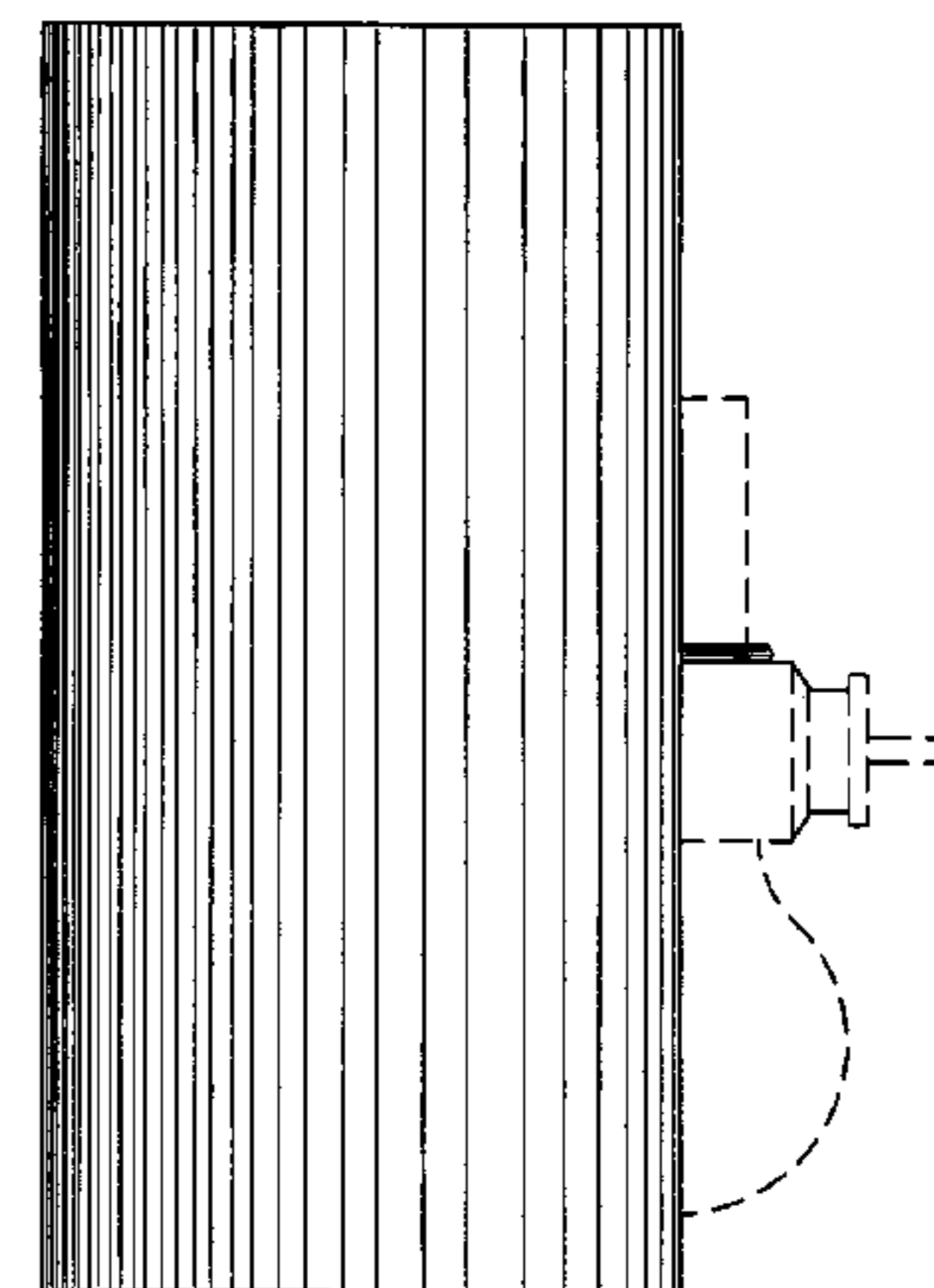
1 Claim, 6 Drawing Sheets



FRONT VIEW



REAR VIEW



RIGHT SIDE VIEW

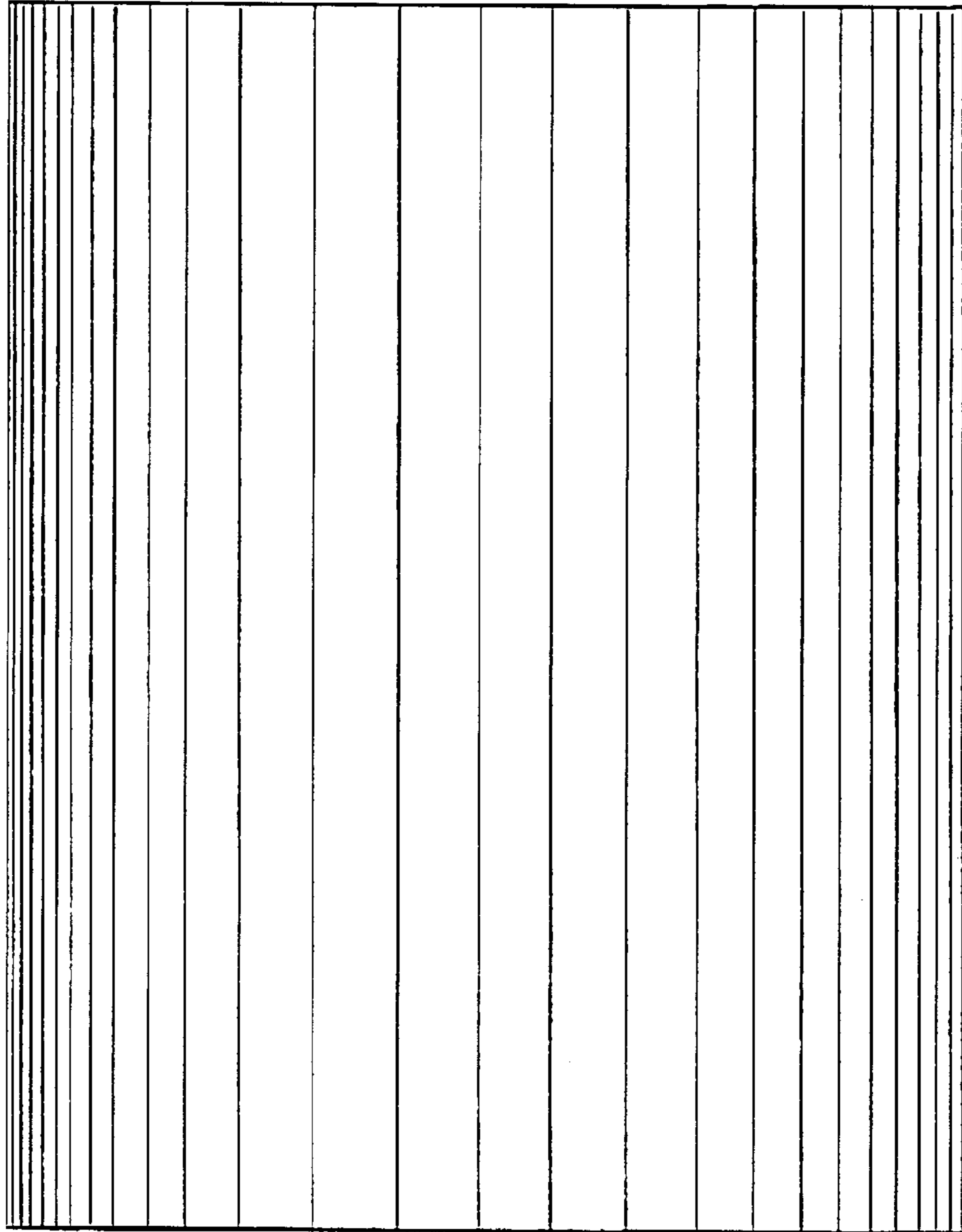


FIG. 1

FRONT VIEW

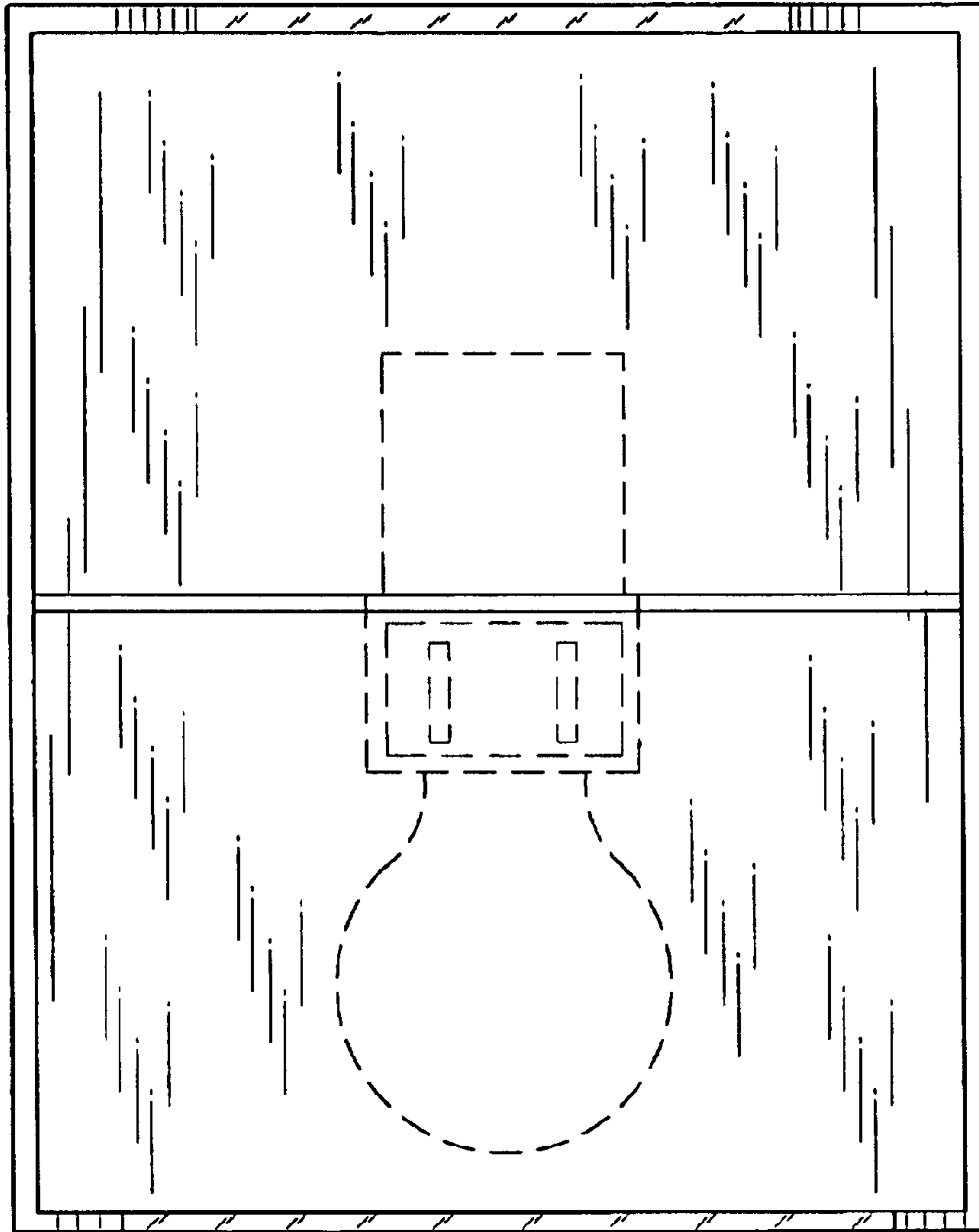


FIG. 2

REAR VIEW

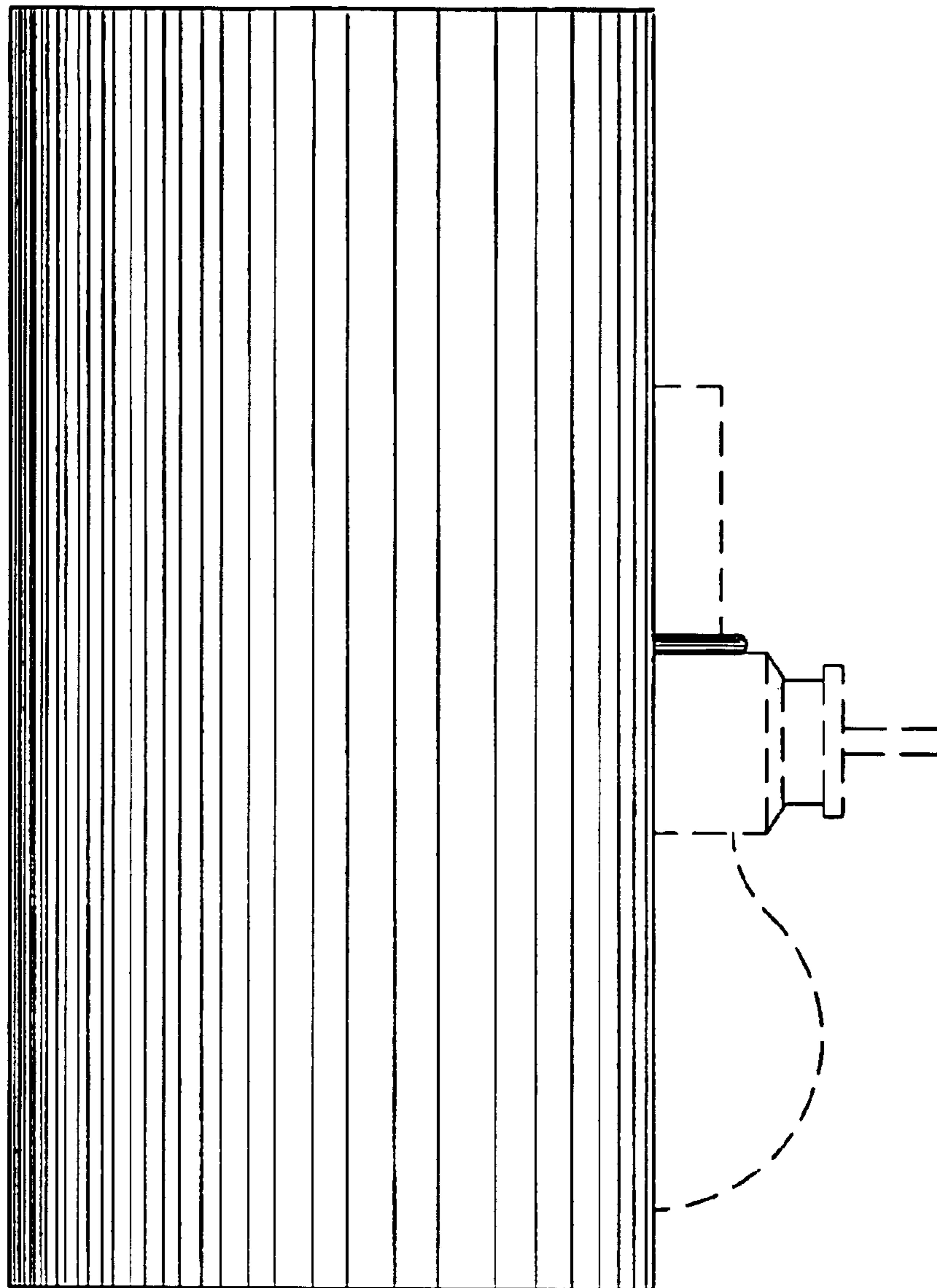


FIG. 3

RIGHT SIDE VIEW

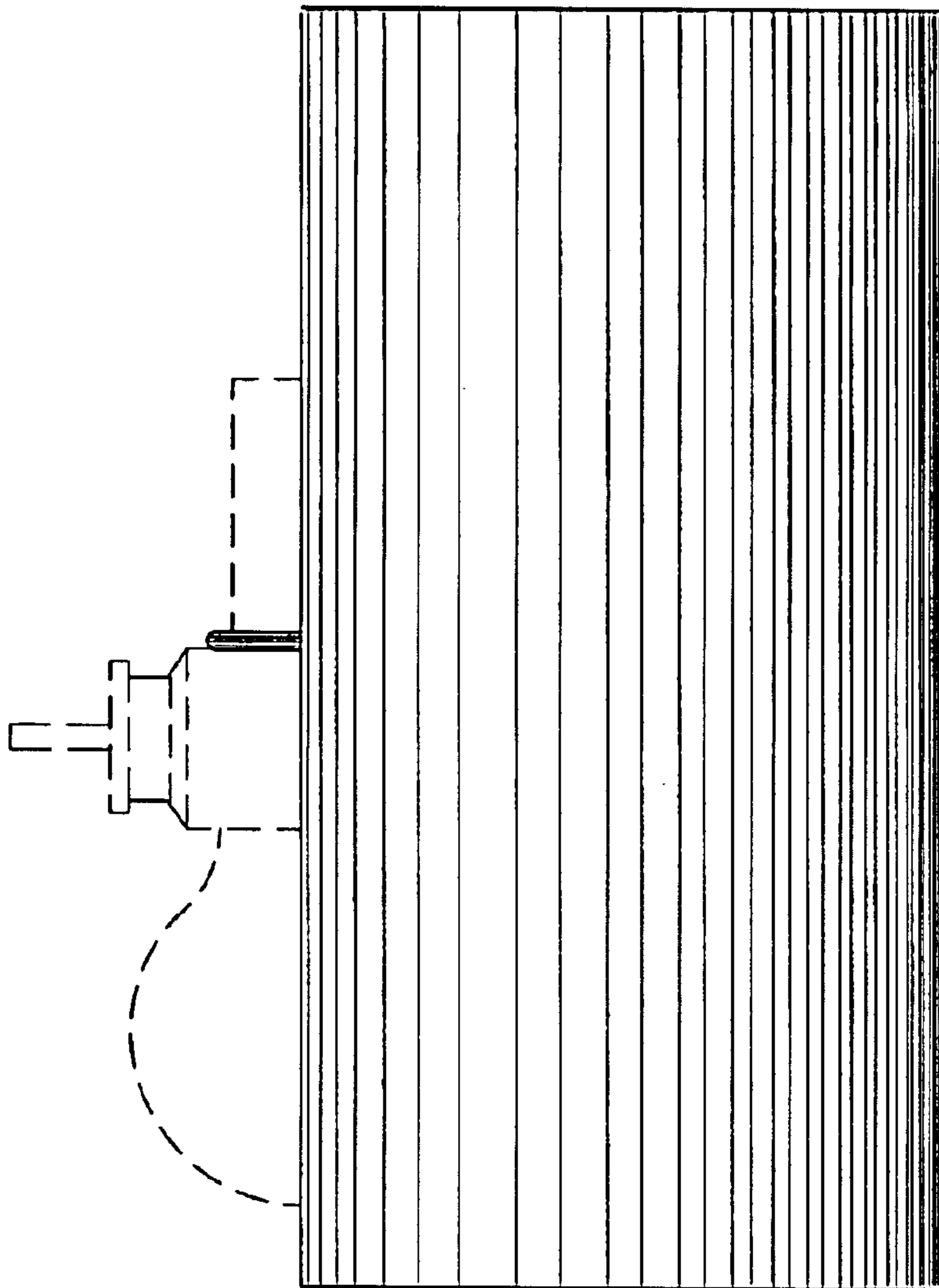


FIG. 4

LEFT SIDE VIEW

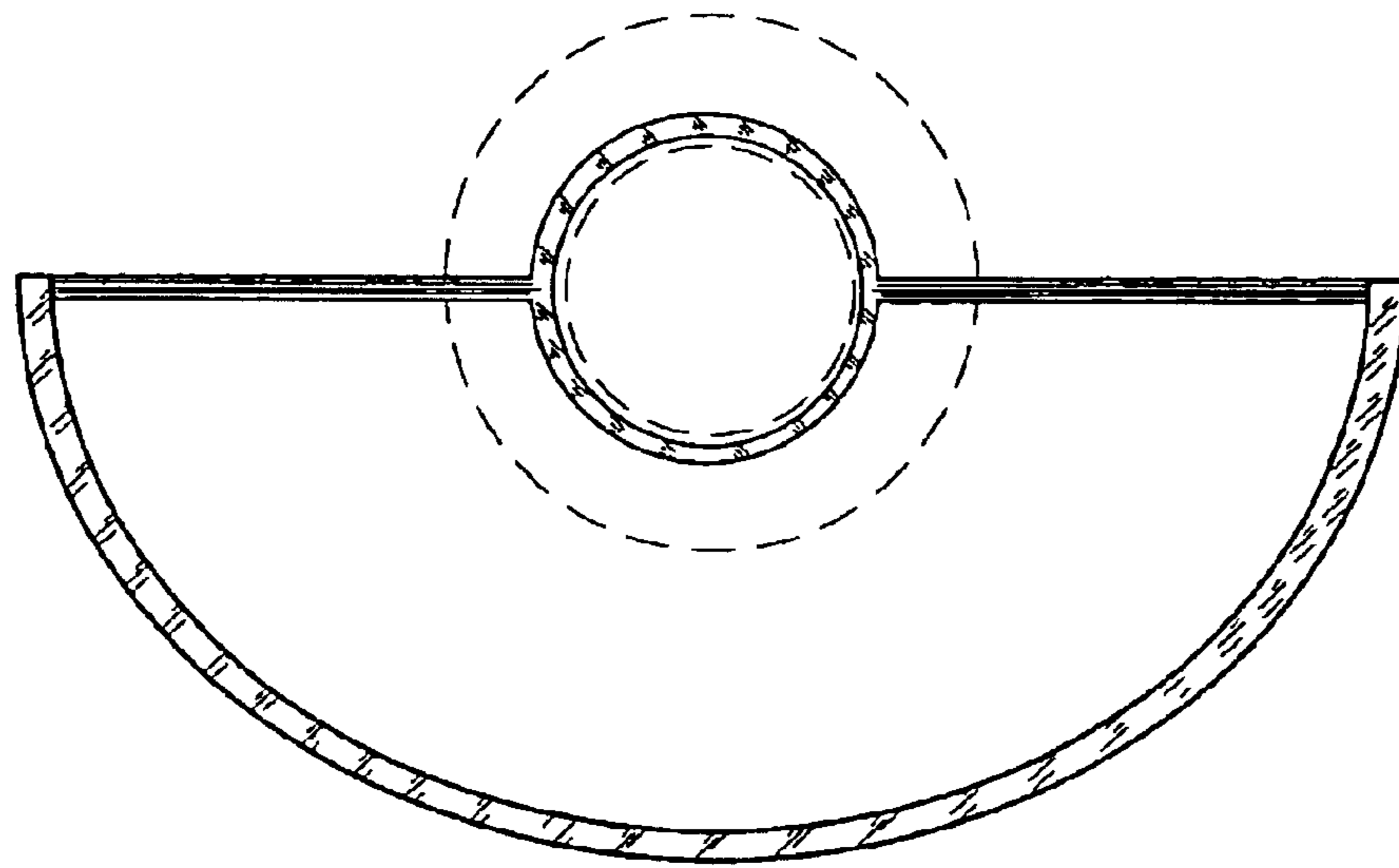


FIG. 5

TOP VIEW

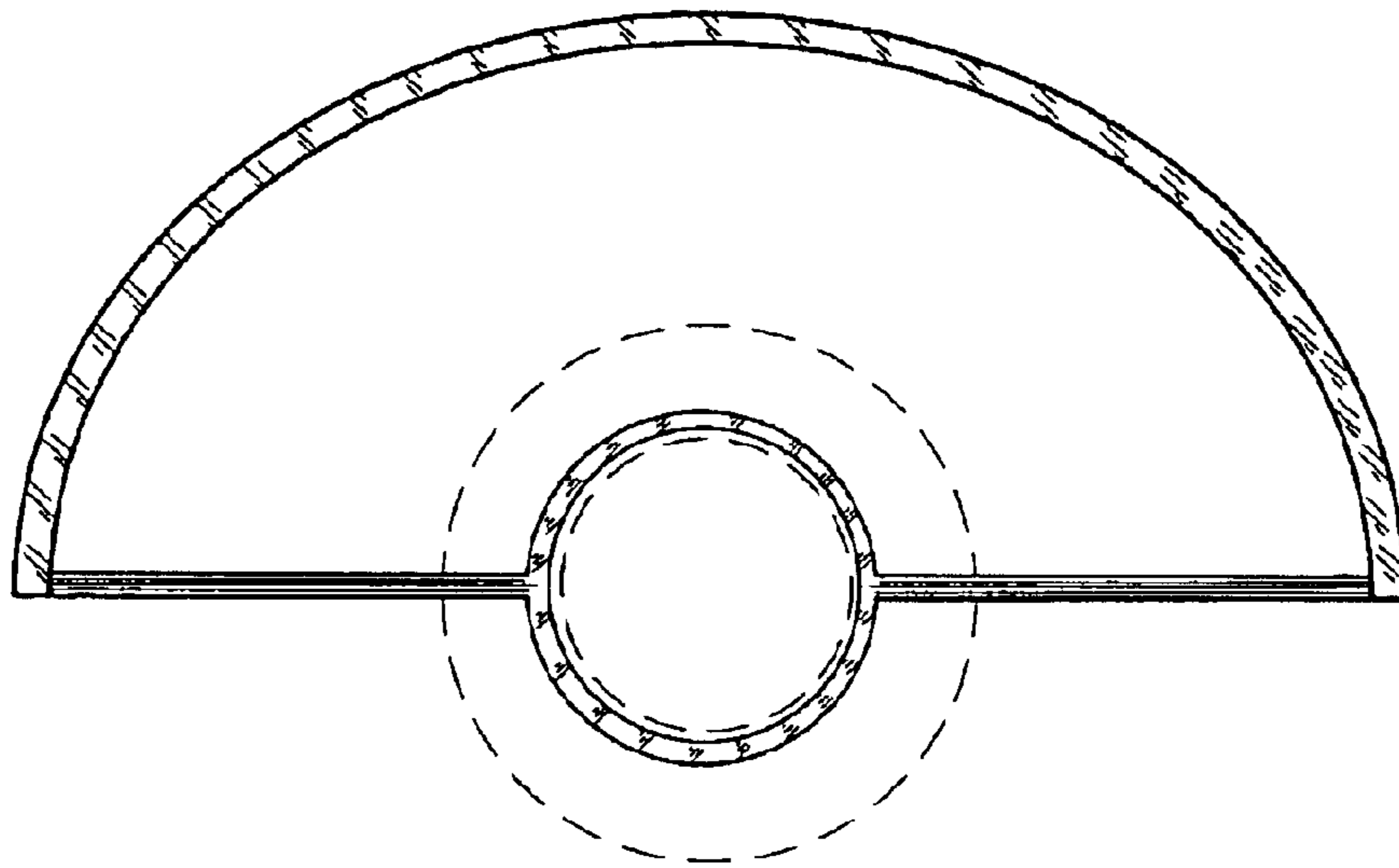


FIG. 6

BOTTOM VIEW