

US00D492798S1

(12) **United States Design Patent**  
**Reynolds et al.**

(10) **Patent No.:** **US D492,798 S**  
(45) **Date of Patent:** **\*\* Jul. 6, 2004**

(54) **CANDLE**

(76) Inventors: **Tammy Donnell Reynolds**, 3003 FM 113, Millsap, TX (US) 76066; **Gary Lee Reynolds**, 3003 FM 113, Millsap, TX (US) 76066

(\*\*) Term: **14 Years**

(21) Appl. No.: **29/174,171**

(22) Filed: **Jan. 13, 2003**

(51) **LOC (7) Cl.** ..... **26-01**

(52) **U.S. Cl.** ..... **D26/11**

(58) **Field of Search** ..... D26/6, 9-11, 20, D26/22; D9/558, 560; 431/288, 291

(56) **References Cited**

**U.S. PATENT DOCUMENTS**

D450,864 S	*	11/2001	Bellenger et al.	.....	D26/11
D453,849 S	*	2/2002	Lopez	.....	D26/11
D456,539 S	*	4/2002	Leeds	.....	D26/6
D461,916 S	*	8/2002	Araujo	.....	D26/6

\* cited by examiner

*Primary Examiner*—Robin V. Taylor  
(74) *Attorney, Agent, or Firm*—Hill & Hunn, LLP

(57) **CLAIM**

The ornamental design for a candle, as shown and described.

**DESCRIPTION**

FIG. 1 is a perspective view of a candle in accordance with a preferred embodiment present invention.

FIG. 2 is a side view of the candle of FIG. 1.

FIG. 3 is a front view of the candle of FIG. 1.

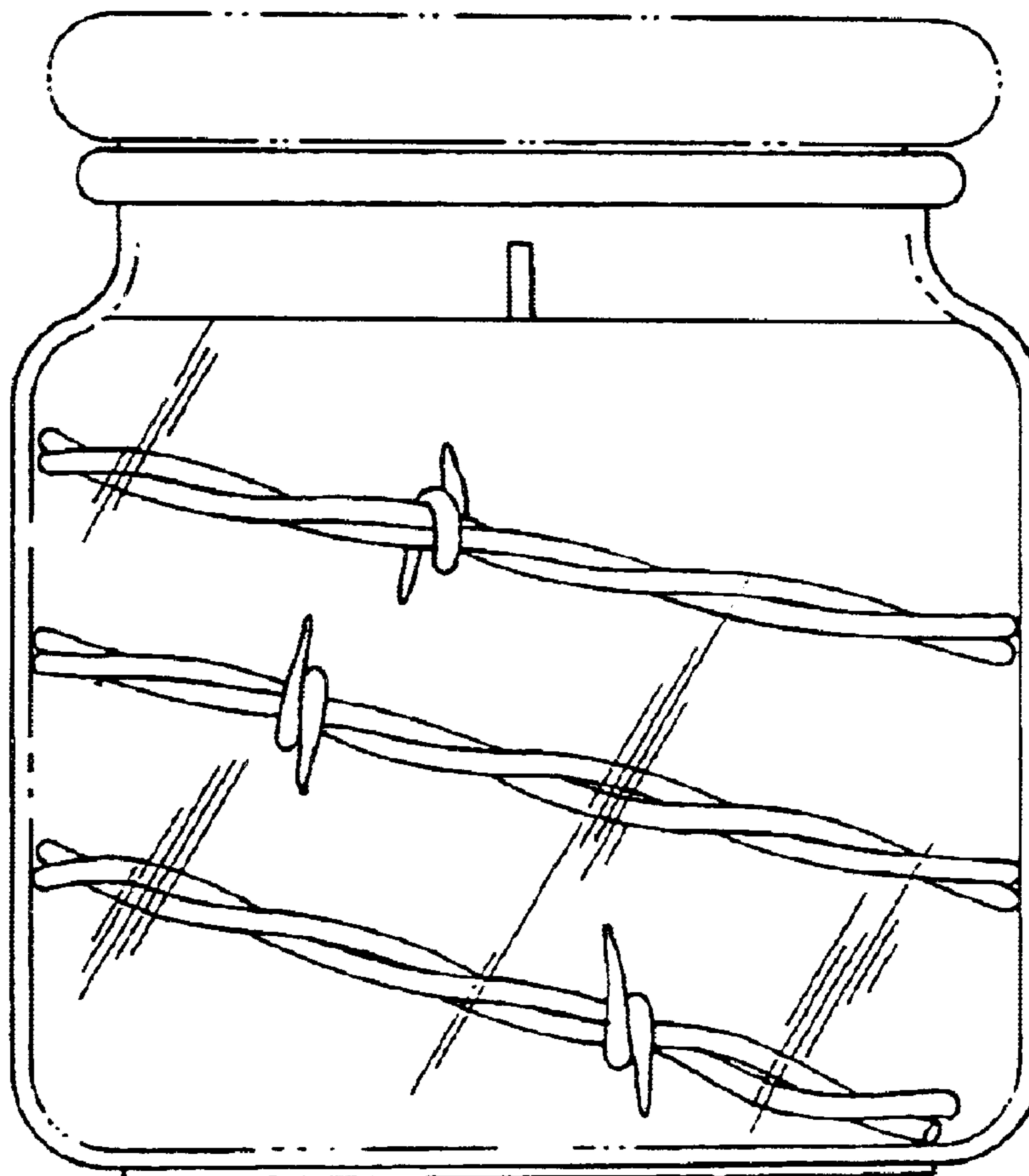
FIG. 4 is a top view of the candle of FIG. 1.

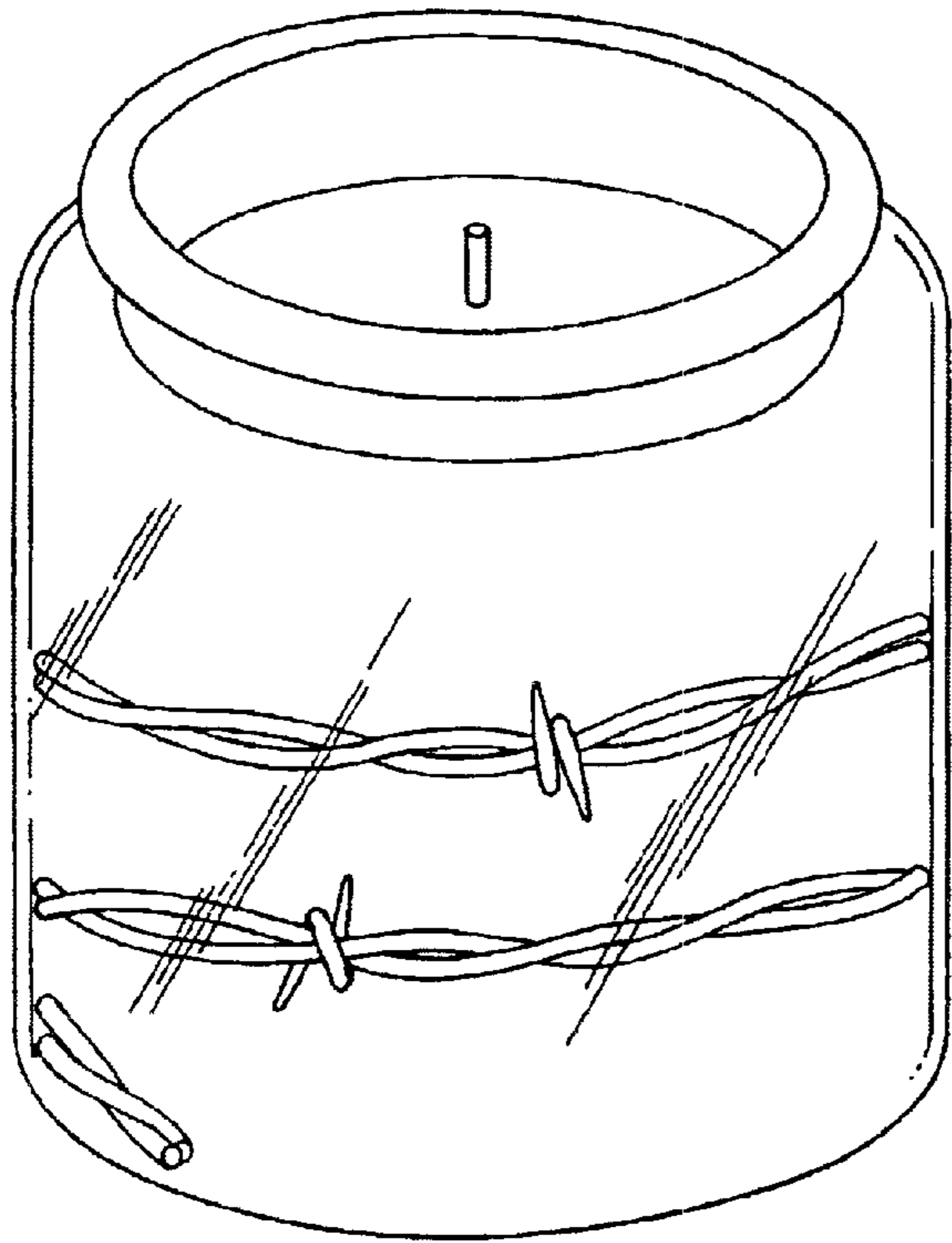
FIG. 5 is a bottom view of the candle of FIG. 1.

FIG. 6 is a front view of a second preferred embodiment of a candle in accordance with the present invention; and, FIG. 7 is a side view of the embodiment of FIG. 6.

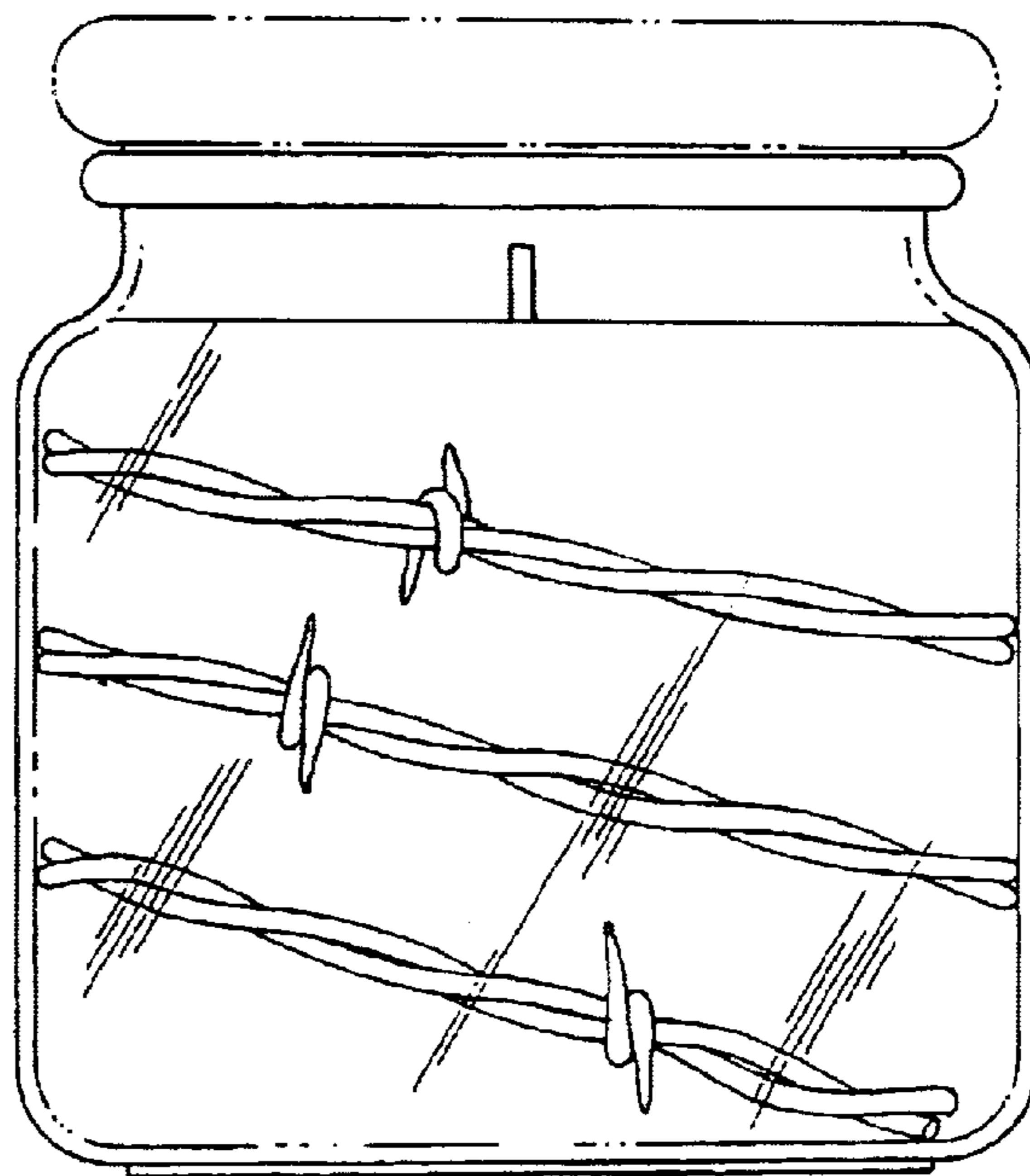
The broken line structure showing in FIGS. 2 and 6 is for illustrative purposes only and forms no part of the claimed design.

**1 Claim, 3 Drawing Sheets**

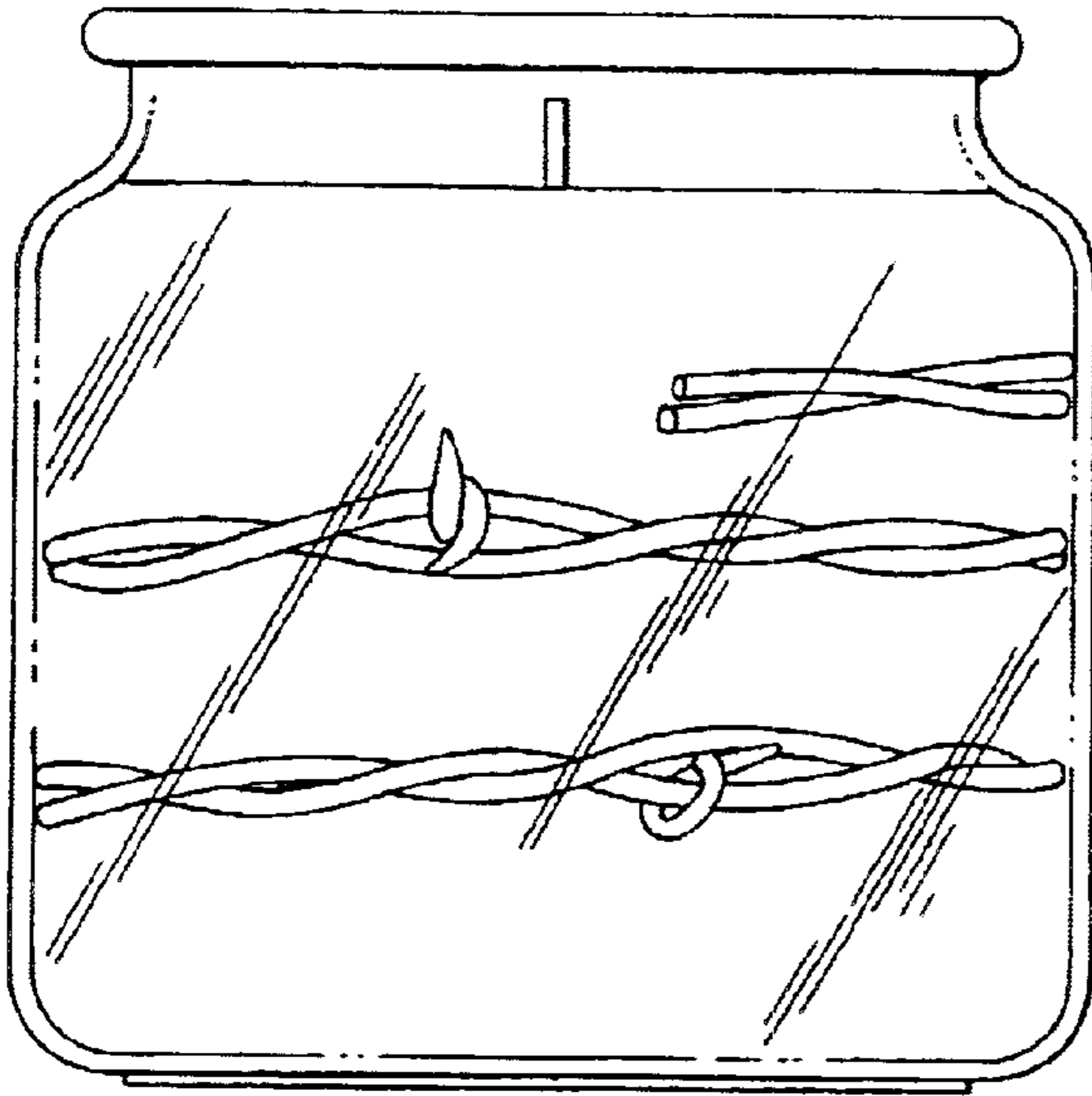




*Fig. 1*

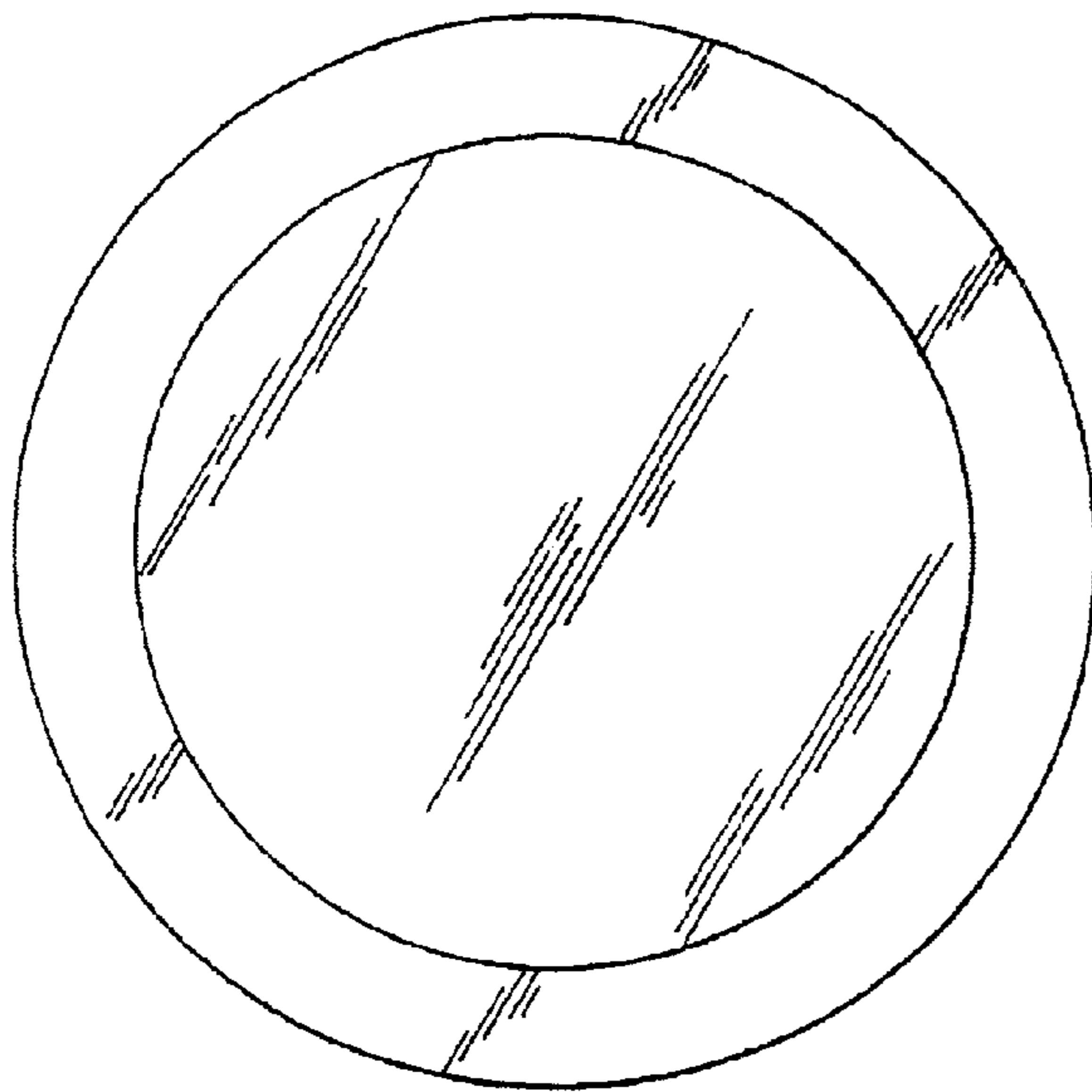
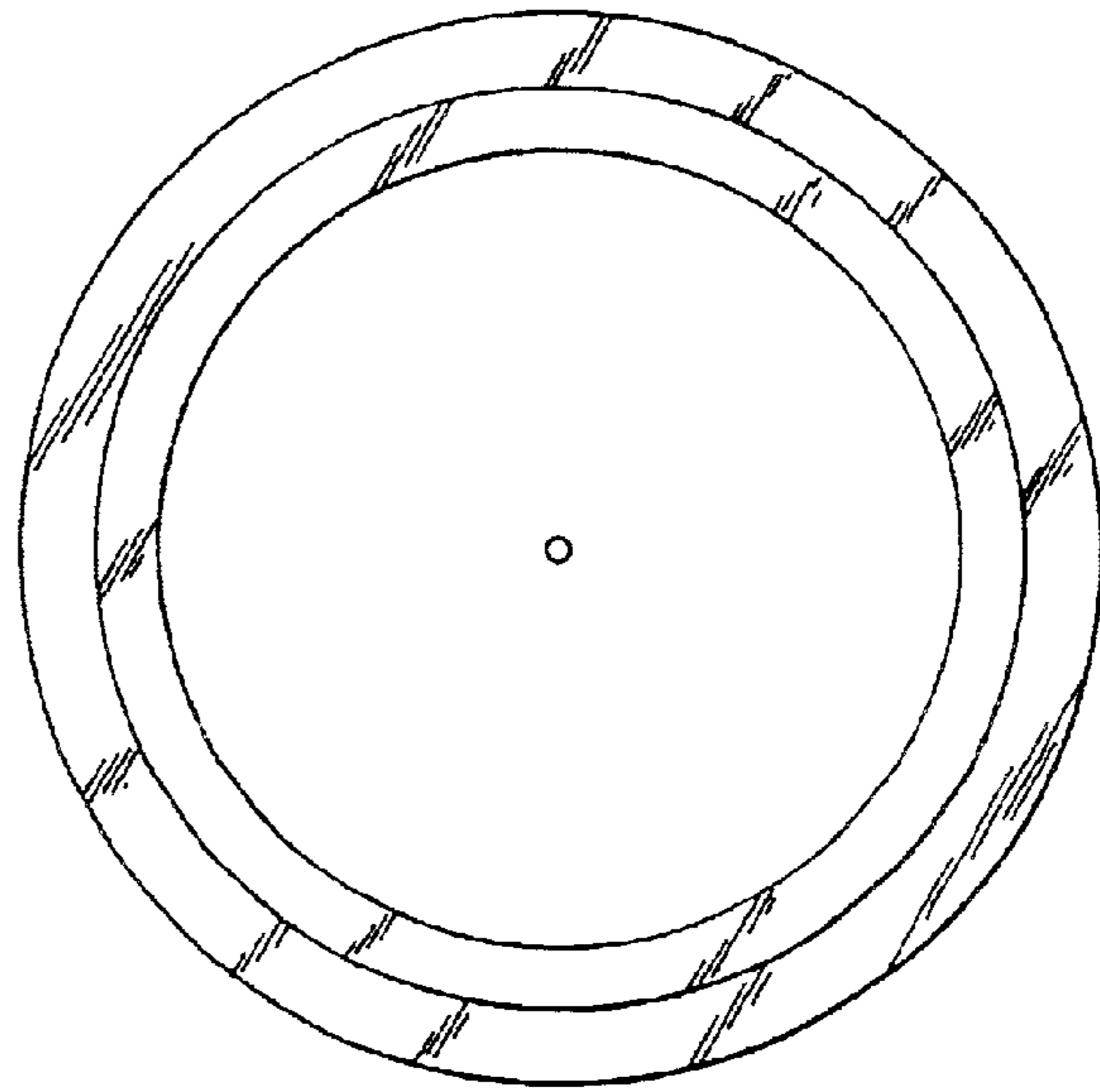


*Fig. 2*

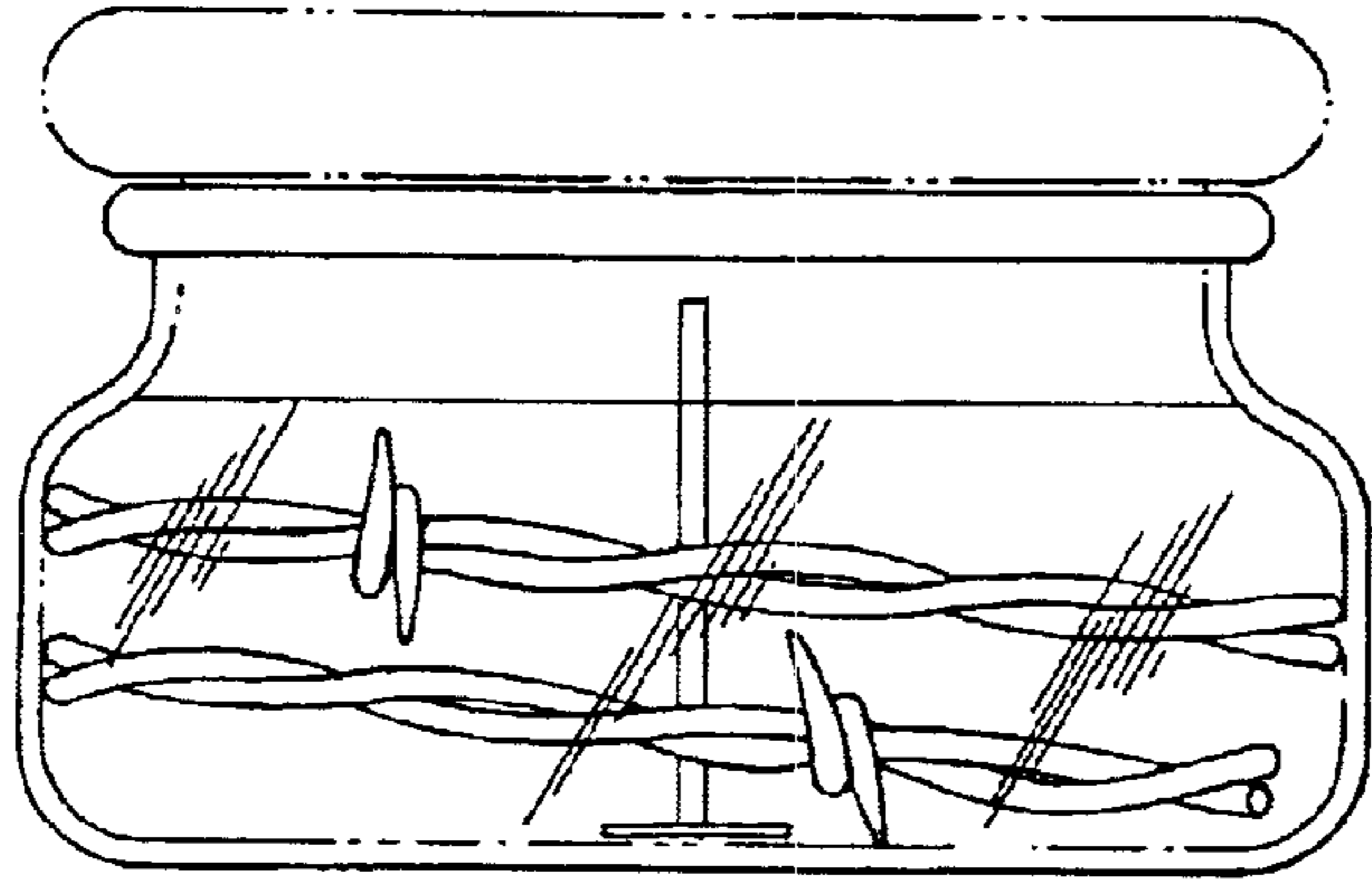


*Fig. 3*

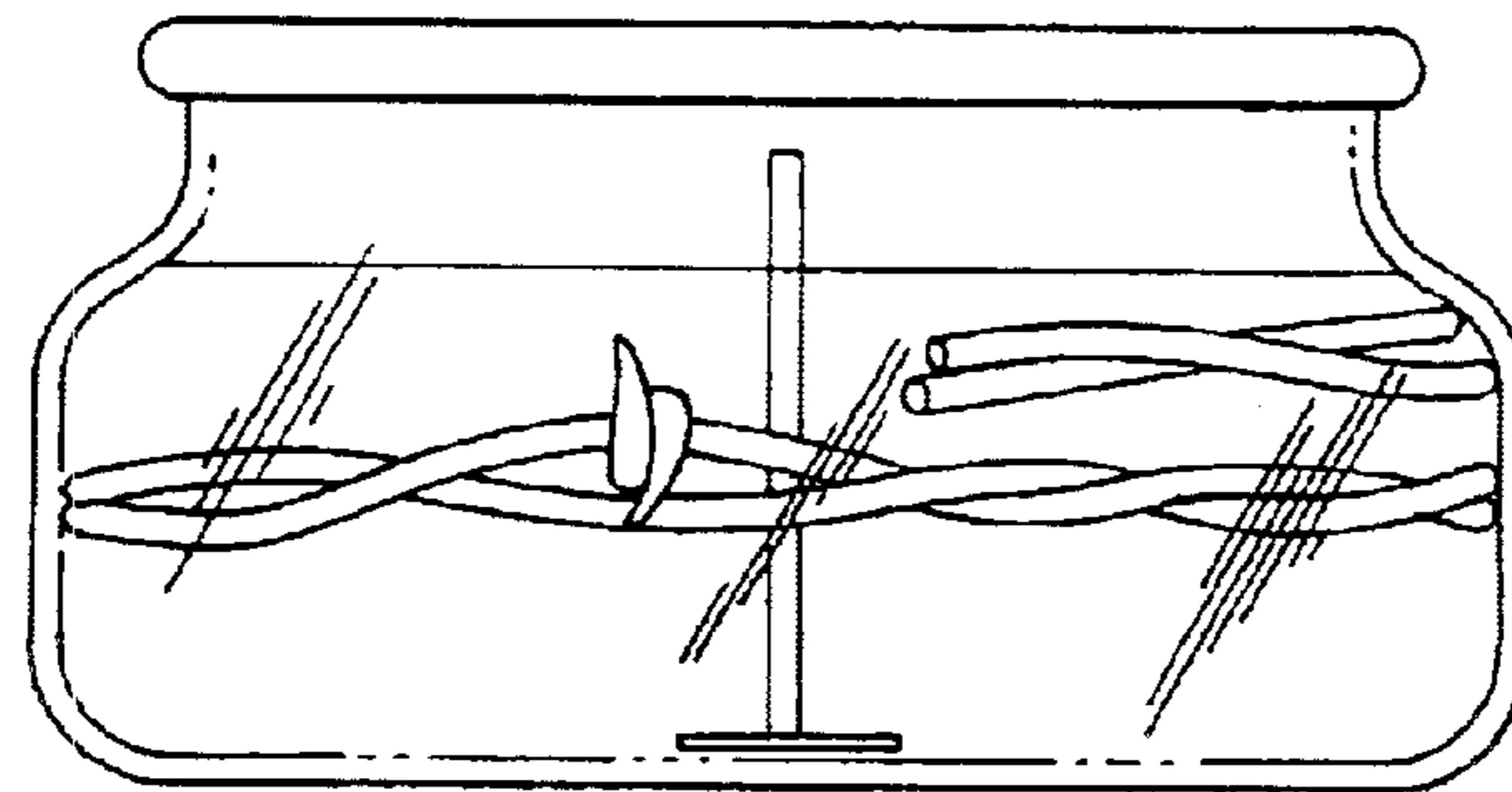
*Fig. 4*



*Fig. 5*



*Fig. 6*



*Fig. 7*