

US00D492797S1

(12) **United States Design Patent**
Simko et al.

(10) **Patent No.:** **US D492,797 S**
(45) **Date of Patent:** **** Jul. 6, 2004**

(54) **CONSTRUCTION MEMBER FOR FENCING,
DECKING AND THE LIKE**

(75) Inventors: **Peter Simko, Barrie (CA); Carlos M
Almeida, Mississauga (CA)**

(73) Assignee: **Composite Building Products
International, Inc., Barrie (CA)**

(**) Term: **14 Years**

(21) Appl. No.: **29/174,435**

(22) Filed: **Jan. 17, 2003**

(51) **LOC (7) Cl.** **25-01**

(52) **U.S. Cl.** **D25/125; D25/138**

(58) **Field of Search** **D25/125, 138,
D25/124; 52/177, 87, 650.3, 588.1; 405/196;
14/73; 119/529, 530; 256/73**

(56) **References Cited**

U.S. PATENT DOCUMENTS

D238,898 S	2/1976	Landis et al.
4,116,420 A	9/1978	Hazelett
4,188,019 A	2/1980	Meredith
4,533,120 A	8/1985	Ruddock
D315,752 S	3/1991	Wentling
5,184,808 A	2/1993	Vesper
D359,565 S	6/1995	Hallsten
D375,573 S	11/1996	Andres
5,671,913 A	9/1997	Vesper
5,758,467 A	6/1998	Snear et al.
5,938,184 A	8/1999	DeSouza

5,953,878 A	9/1999	Johnson	
D423,116 S	4/2000	Gregori	
6,044,598 A	4/2000	Elsasser et al.	
D426,320 S	6/2000	Andres	
D431,658 S	10/2000	Gregori	
D446,316 S	8/2001	Wooten	
D451,612 S	12/2001	Thibault et al.	
6,324,796 B1 *	12/2001	Heath	52/177
6,381,793 B2	5/2002	Doyle et al.	
D485,373 S *	1/2004	Morton et al.	D25/125

* cited by examiner

Primary Examiner—Doris Clark

(74) *Attorney, Agent, or Firm*—Barnes & Thornburg

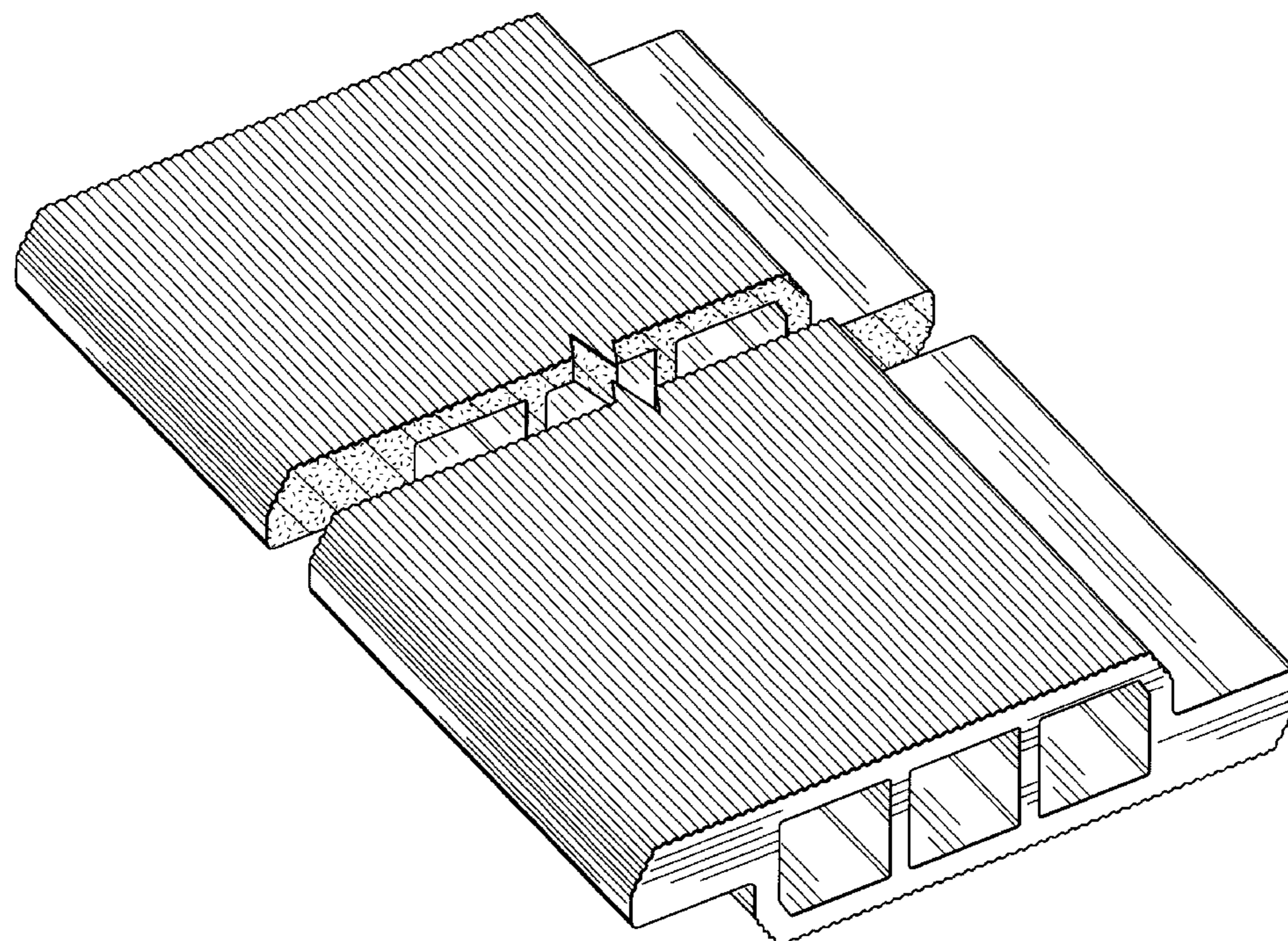
(57) **CLAIM**

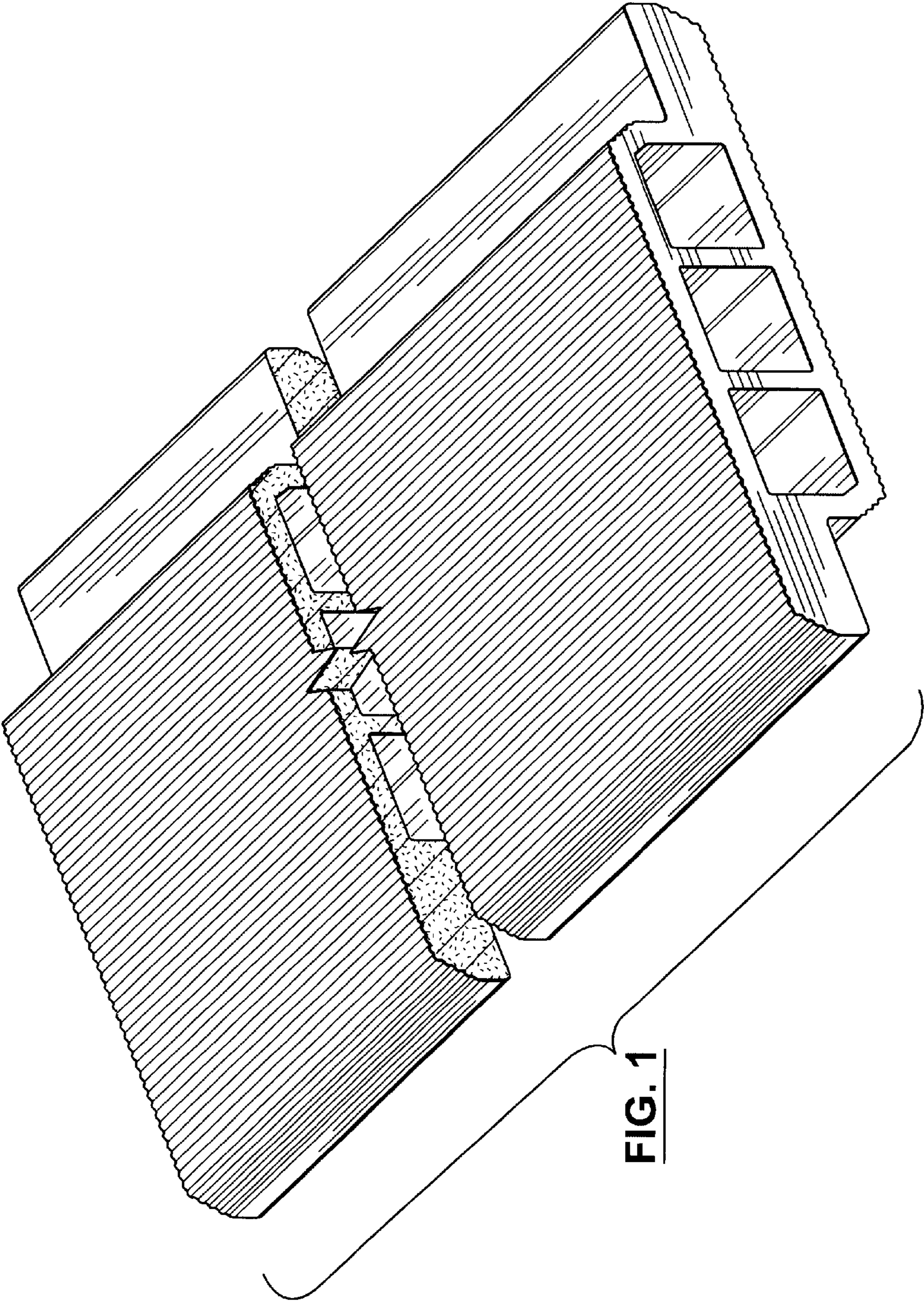
The ornamental design for construction member for fencing, decking and the like, as shown and described.

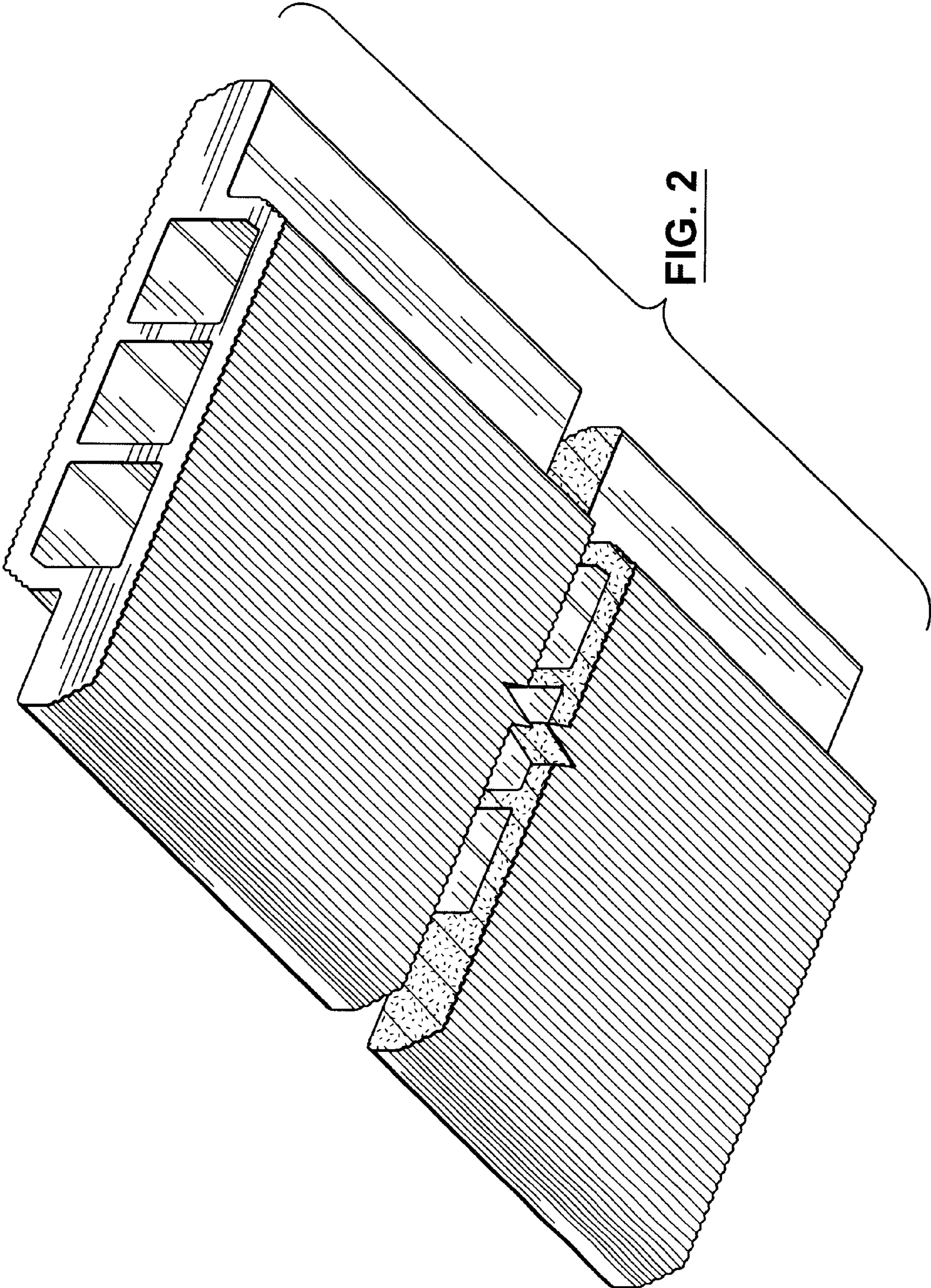
DESCRIPTION

FIG. 1 is a top, right side perspective view of a construction member embodying our design;
 FIG. 2 is a bottom, left side perspective view of the member of FIG. 1;
 FIG. 3 is a right side, elevational view of the member of FIG. 1;
 FIG. 4 is a left side, elevational view of the member of FIG. 1;
 FIG. 5 is a top plan view of the member of FIG. 1;
 FIG. 6 is a bottom plan view of the member of FIG. 1;
 FIG. 7 is a rear view of the member of FIG. 1; and,
 FIG. 8 is a front view of the member of FIG. 1.

1 Claim, 4 Drawing Sheets







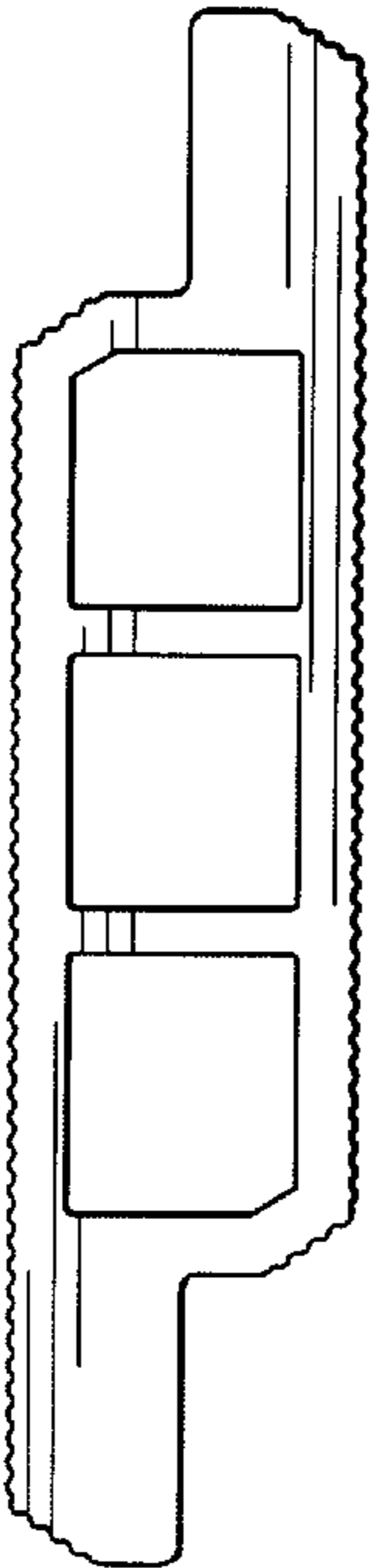


FIG. 3

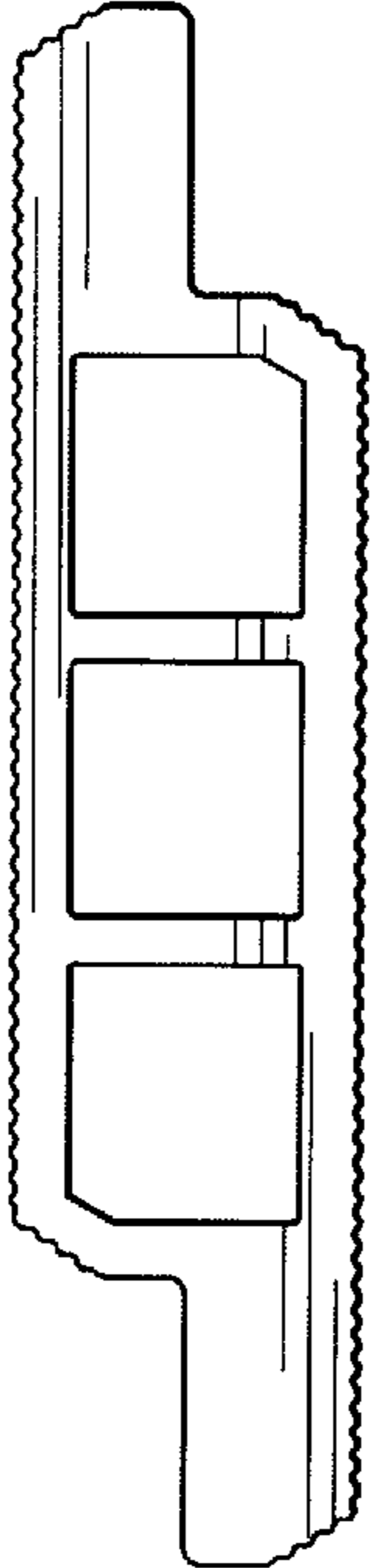


FIG. 4

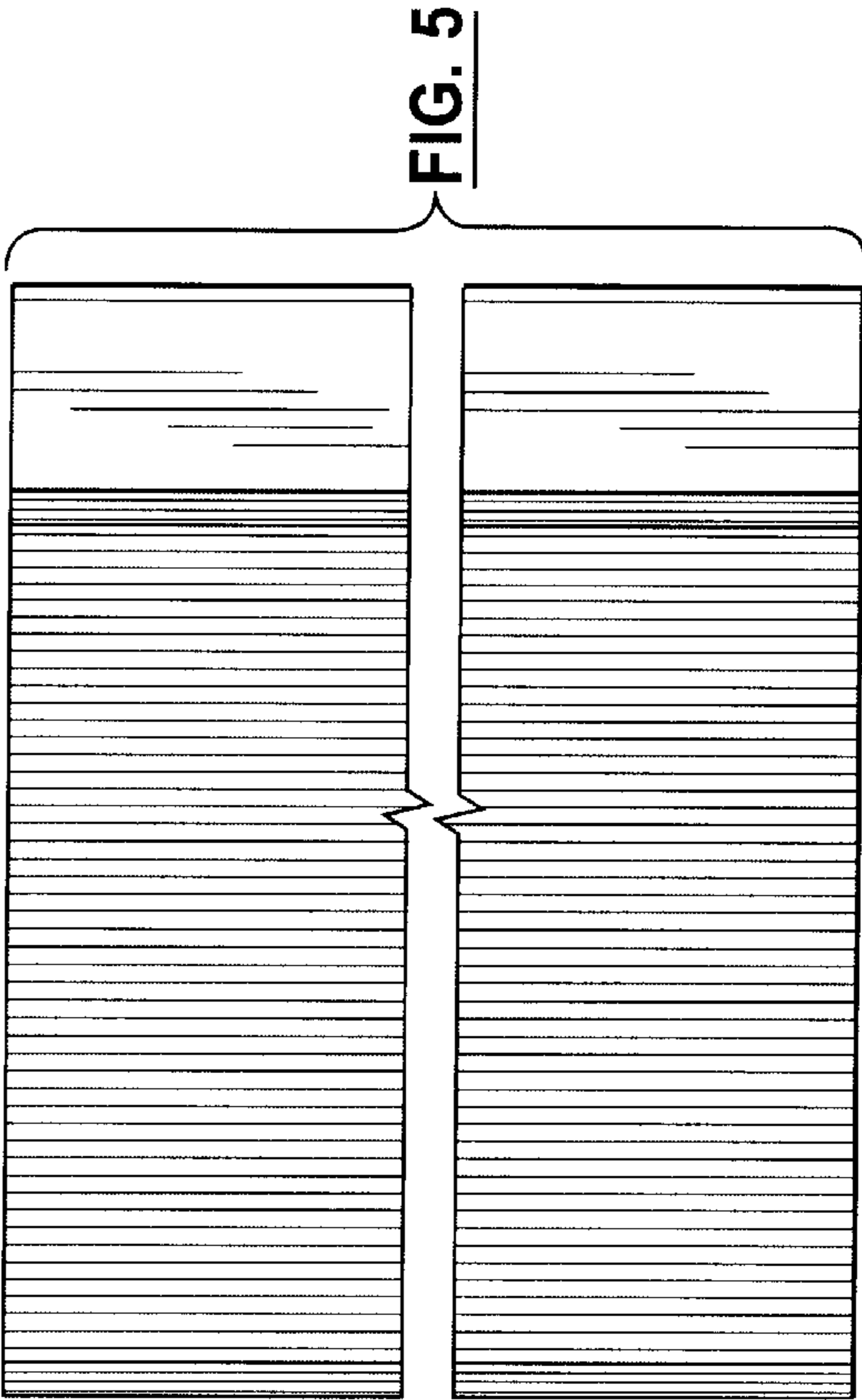


FIG. 5

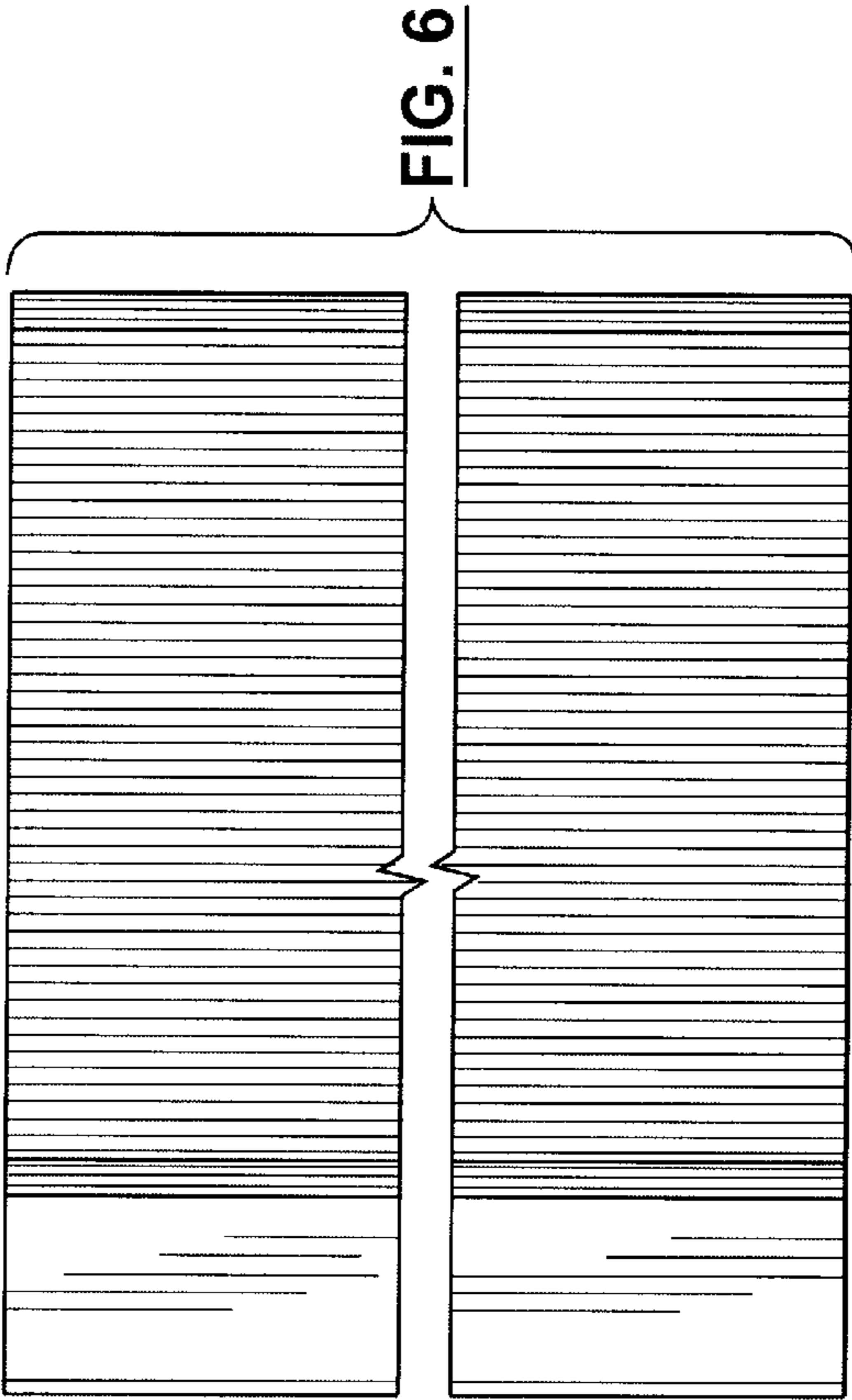


FIG. 6

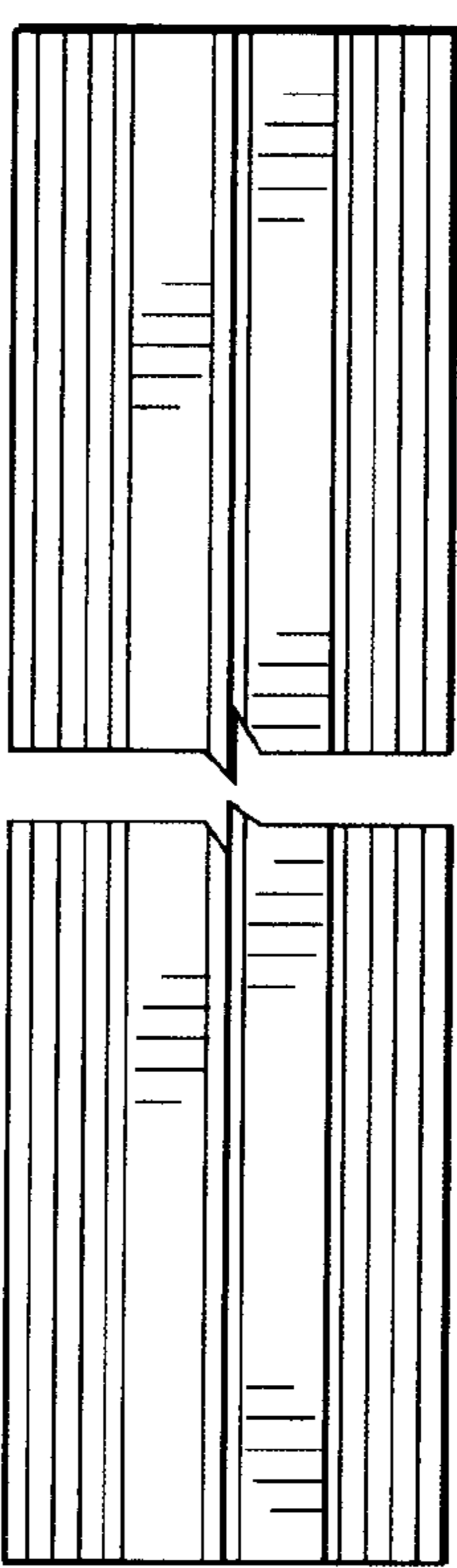


FIG. 7

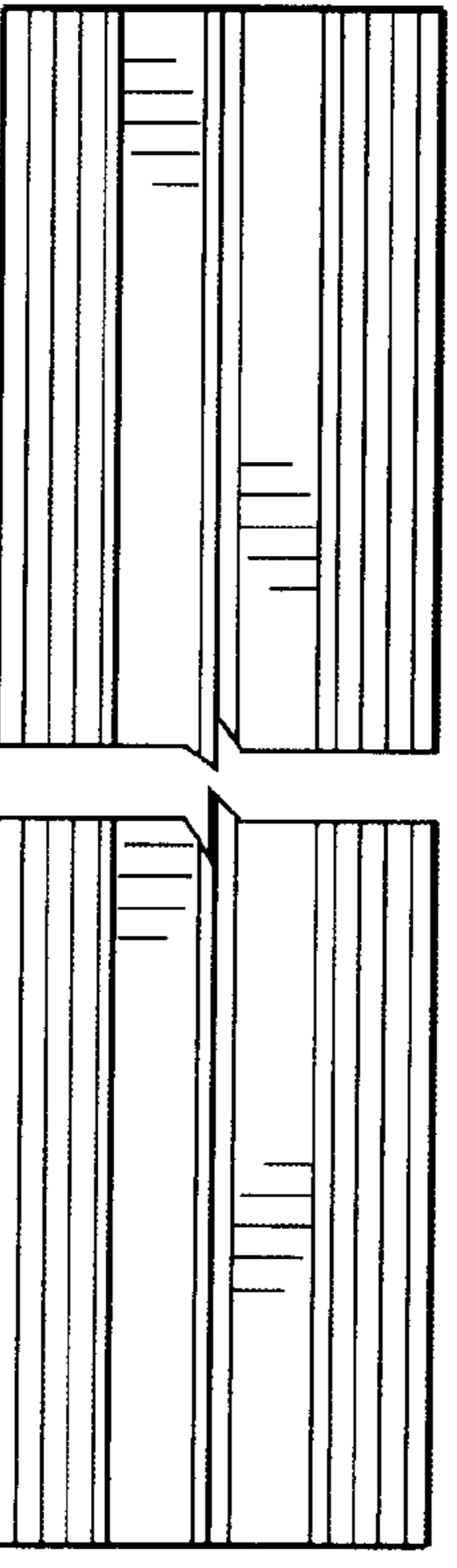


FIG. 8