

US00D492795S1

(12) **United States Design Patent** (10) **Patent No.:** **US D492,795 S**
Folsom et al. (45) **Date of Patent:** **** Jul. 6, 2004**

(54) **CASEMENT WINDOW**

(76) Inventors: **Peter Folsom**, 2 Village La.,
Bronxville, NY (US) 10708; **Helmut
Schmidt**, 9 Woodglen Way, Unionville,
Ontario (CA), L3R 3A8

(**) Term: **14 Years**

(21) Appl. No.: **29/141,330**

(22) Filed: **May 3, 2001**

(51) **LOC (7) Cl.** **25-02**

(52) **U.S. Cl.** **D25/52**

(58) **Field of Search** D25/52; 52/204.1,
52/204.5, 204.55, 204.593, 119-125, 656.1,
656.5, 656.8; 49/501, 504, 61, 63, DIG. 2

(56) **References Cited**

U.S. PATENT DOCUMENTS

D344,353 S	2/1994	Cole	
5,553,420 A	9/1996	Klimek	
D378,138 S	* 2/1997	Dallaire et al. D25/124
D378,545 S	* 3/1997	Dallaire et al. D25/125
D378,854 S	4/1997	Dallaire et al.	
D378,855 S	4/1997	Dallaire et al.	
D394,714 S	5/1998	Plummer	
D414,278 S	9/1999	Dallaire et al.	

* cited by examiner

Primary Examiner—Stella Reid

(74) *Attorney, Agent, or Firm*—Dara L. Onofrio, Esq.;
Onofrio Law

(57) **CLAIM**

The ornamental design for a casement window, as shown
and described.

DESCRIPTION

FIG. 1 is a schematic illustration of a casement window,
showing our new design;

FIG. 2 is a cross-section of the top portion of a fixed
casement window, taken along the line 2—2 FIG. 1;

FIG. 3 is a cross-section of the bottom portion of a fixed
casement window and the top portion of an operable case-
ment window, taken along the line 3—3 of FIG. 1;

FIG. 4 is a cross-section of the top portion of an operable
casement window, taken along the the line 4—4 of FIG. 1;

FIG. 5 is a cross-section of the bottom portion of an operable
casement window and the top portion of an adjacent oper-
able casement window, taken along the line 5—5 of FIG. 1;

FIG. 6 is a cross-section of the top portion of a fixed
casement window, taken along the line 6—6 of FIG. 1;

FIG. 7 is a cross-section of the bottom portion of a fixed
casement window and the top portion of an adjacent fixed
casement window, taken along the line 7—7 of FIG. 1;

FIG. 8 is a cross-section of the bottom portion of an operable
casement window and the top portion of an adjacent fixed
casement window, taken along the line 8—8 of FIG. 1;

FIG. 9 is a cross-section of bottom portion of a fixed
casement window, taken along the line 9—9 of FIG. 1;

FIG. 10 is a cross-section of the bottom portion of an
operable casement window and the top portion of an adja-
cent fixed casement window, taken along the line 10—10 of
FIG. 1;

FIG. 11 is a cross-section of the bottom portion of a fixed
casement window, taken along the line 11—11 of FIG. 1;

FIG. 12 is a cross-section of the bottom portion of a fixed
casement window and the top portion of an adjacent fixed
casement window, taken along the line 12—12 on FIG. 1;

FIG. 13 is a cross-section of the bottom portion of a fixed
casement window, taken along the line 13—13 on FIG. 1;

FIG. 14 is a cross-section of the left portion of a narrow
frame operable casement window, taken along the line
14—14 of FIG. 1;

FIG. 15 is a cross-section of the right portion of a narrow
frame operable casement window and the left portion of an
adjacent narrow frame operable casement window, taken
along the line 15—15 of FIG. 1;

FIG. 16 is a cross-section of the left portion of a wide frame
operable casement window, taken along the line 16—16 of
FIG. 1;

FIG. 17 is a cross-section of the right portion of a wide frame
operable casement window and the left portion of an adja-
cent wide frame operable casement window, taken along the
line 17—17 of FIG. 1;

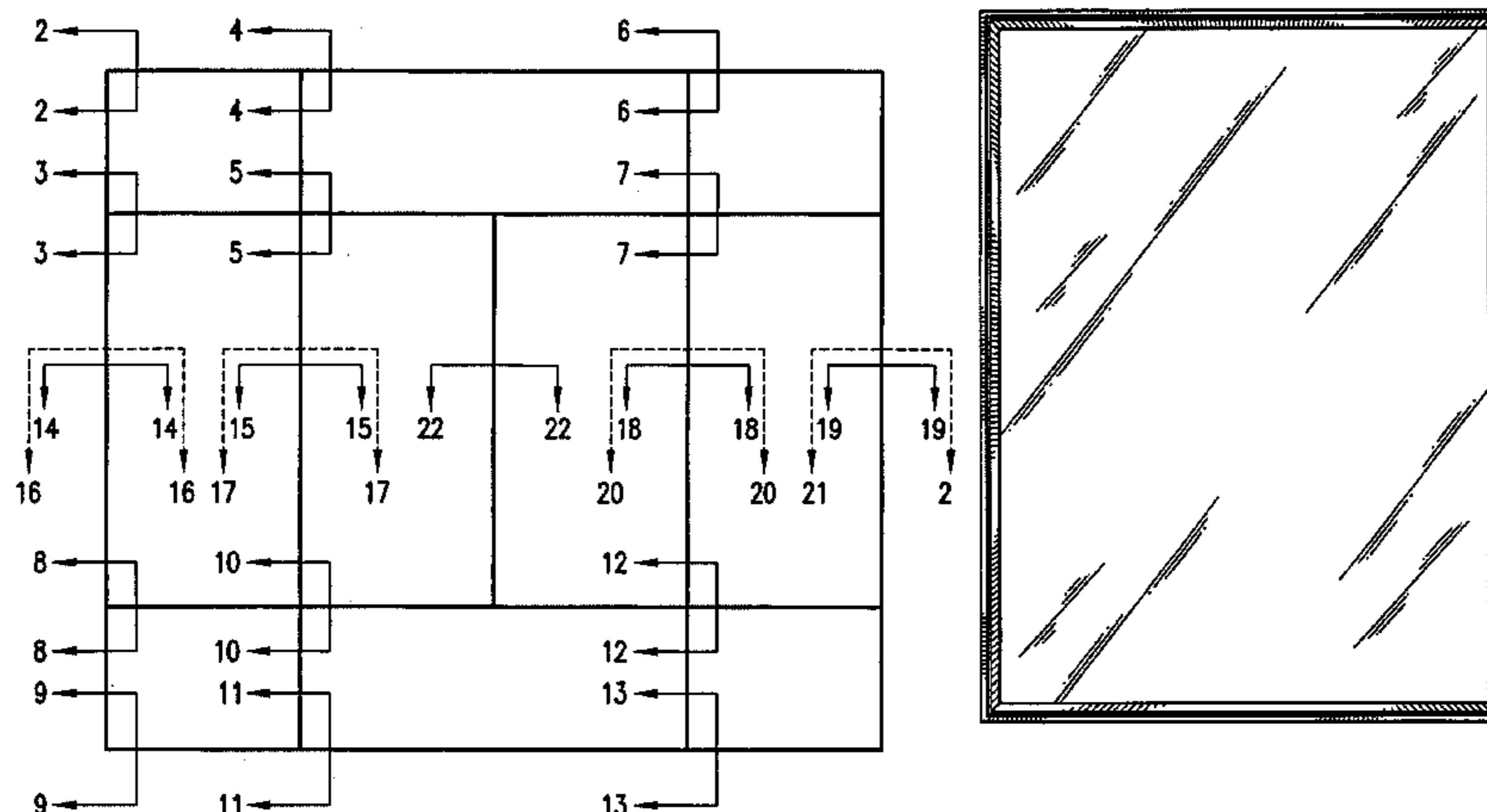


FIG. 18 is a cross-section of the right portion of a narrow frame fixed casement window and the left portion of an adjacent narrow frame fixed casement window, taken along the line 18—18 of FIG. 1.

FIG. 19 is a cross-section of the right portion of a narrow frame fixed casement window, taken along the line 19—19 of FIG. 1.

FIG. 20 is a cross-section of the right portion of a wide frame fixed casement window and the left portion of an adjacent wide frame fixed casement window, taken along the line 20—20 of FIG. 1.

FIG. 21 is a cross-section of the right portion of a wide frame fixed casement window, taken along the line 21—21 of FIG. 1.

FIG. 22 is a cross-section of a portion shared by an operable and fixed casement window, taken along the line 22—22 of FIG. 1.

FIG. 23 is a front elevational view of a casement window; FIG. 24 is a front elevational view of a second embodiment of the casement window;

FIG. 25 is a front elevational view of a third embodiment of the casement window; and,

FIG. 26 is a front elevational view of a fourth embodiment of the casement window.

All the embodiments can be seen within the schematic showing of FIG. 1.

1 Claim, 16 Drawing Sheets

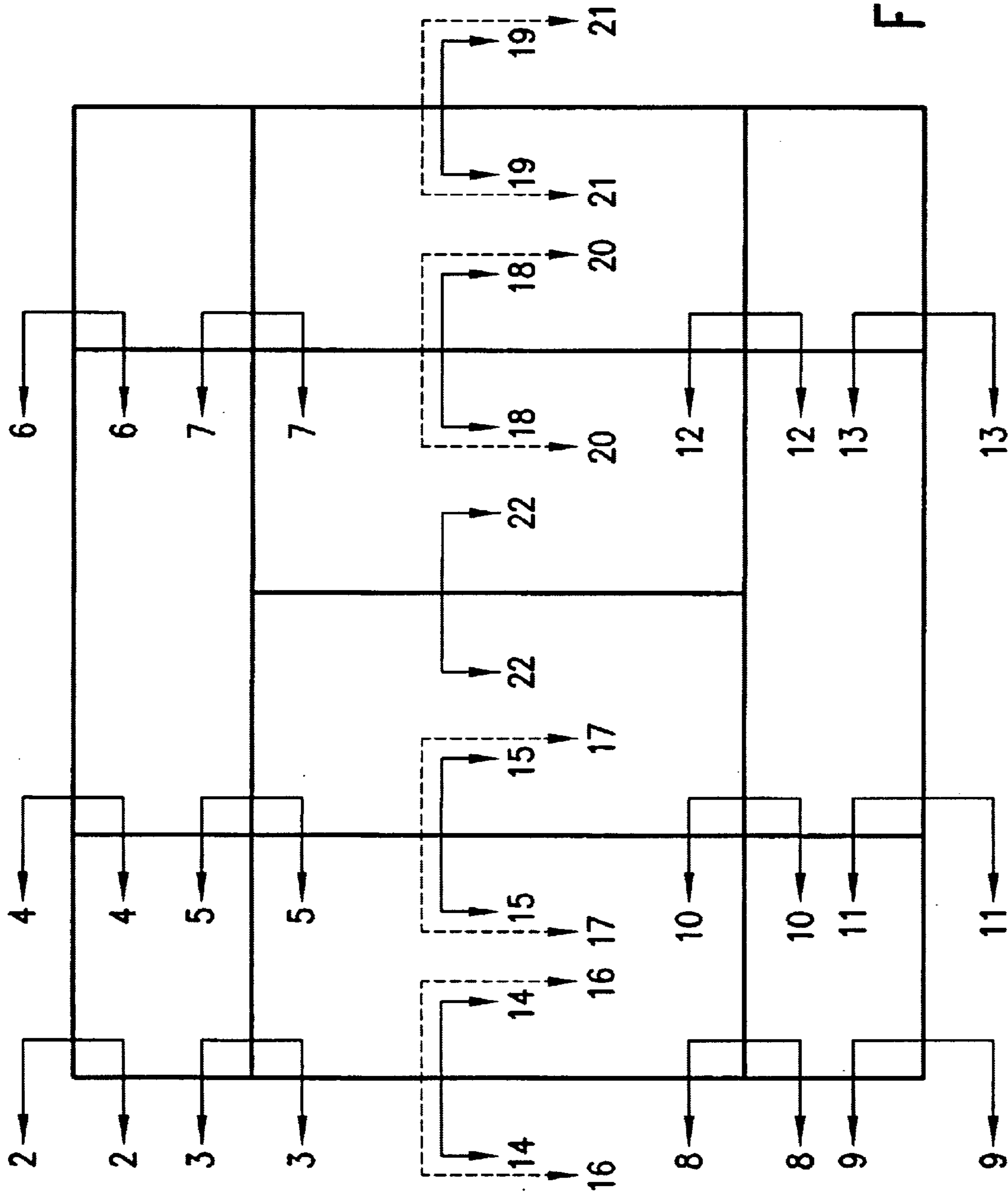


FIG.1

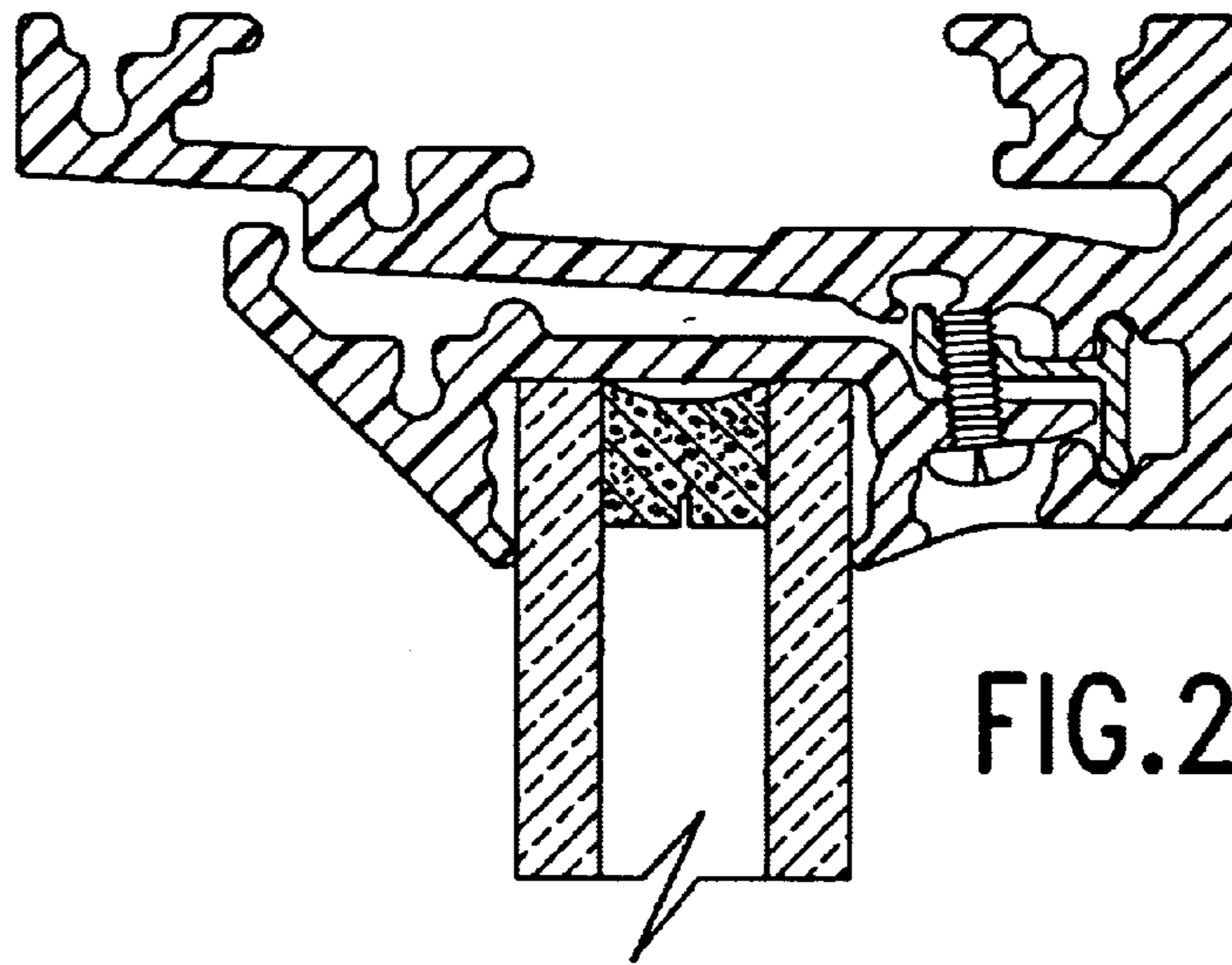


FIG. 2

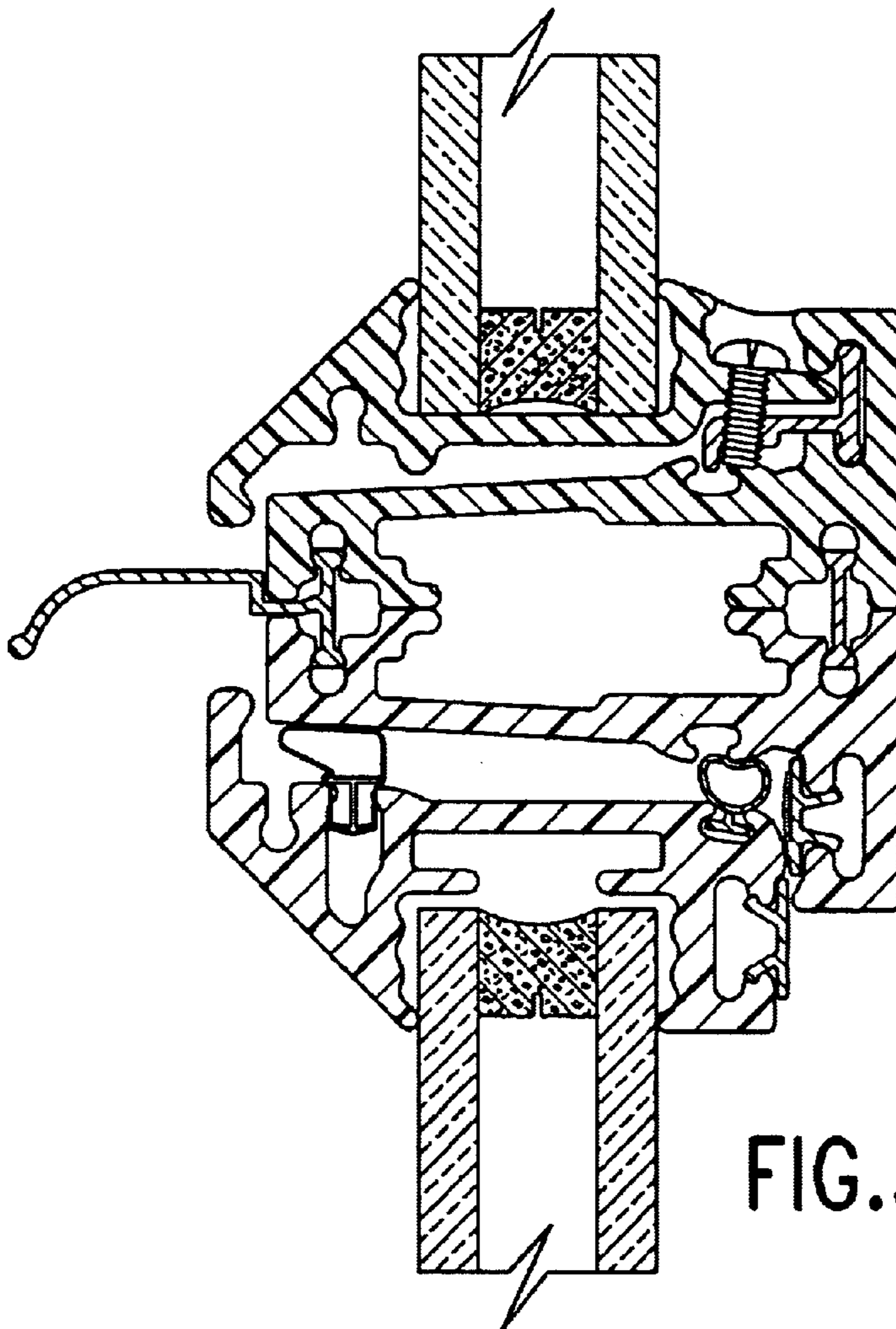
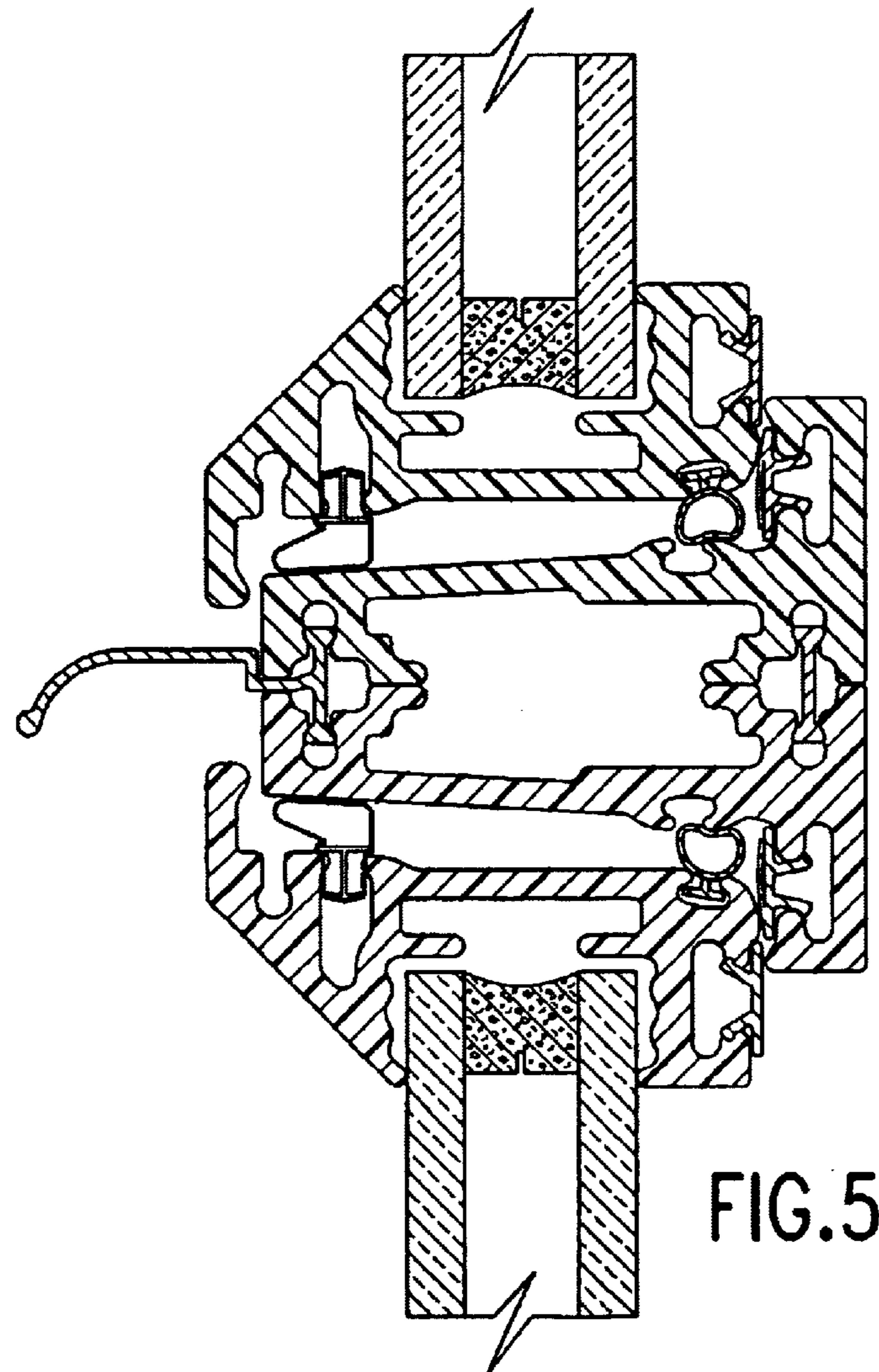
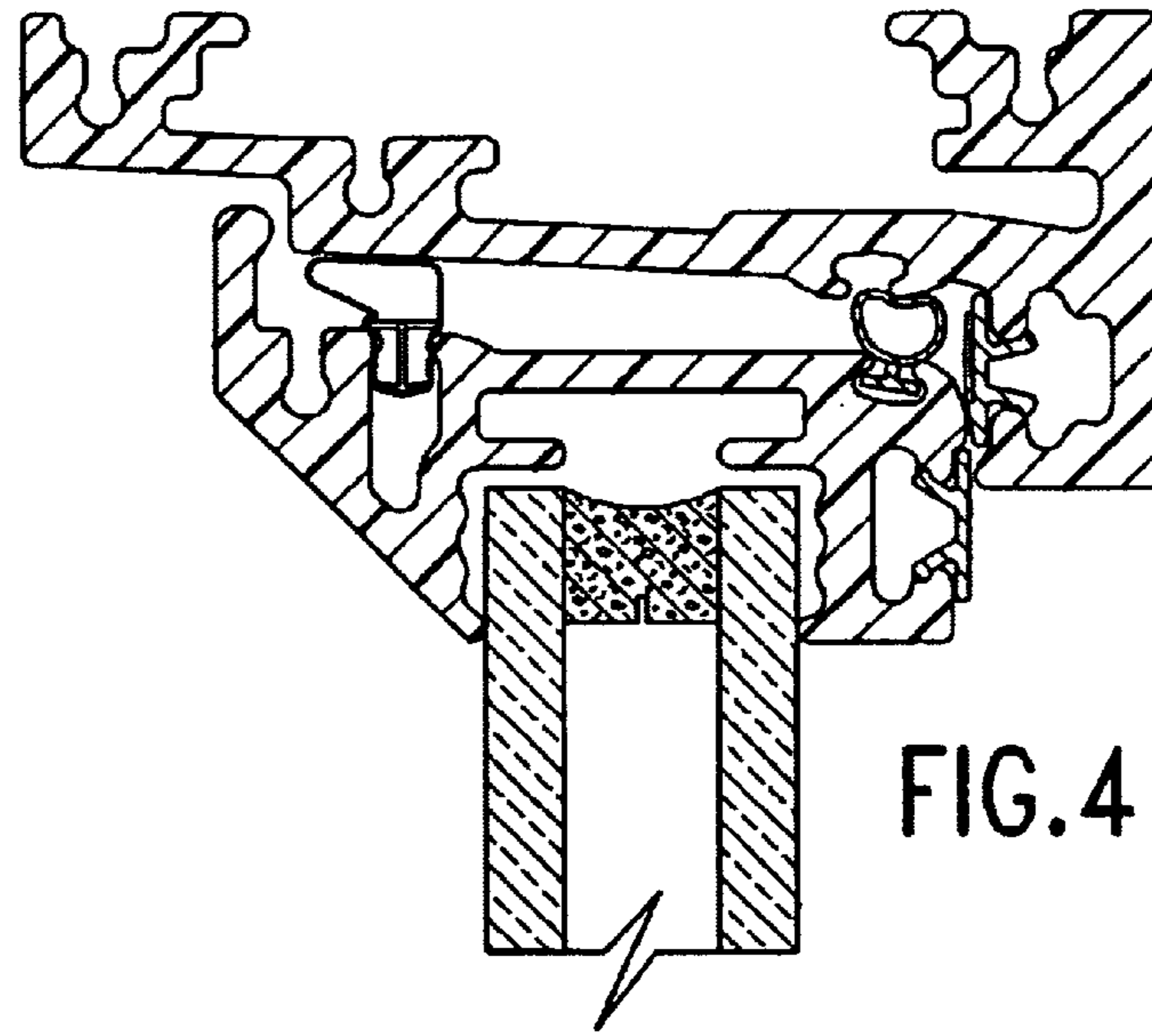
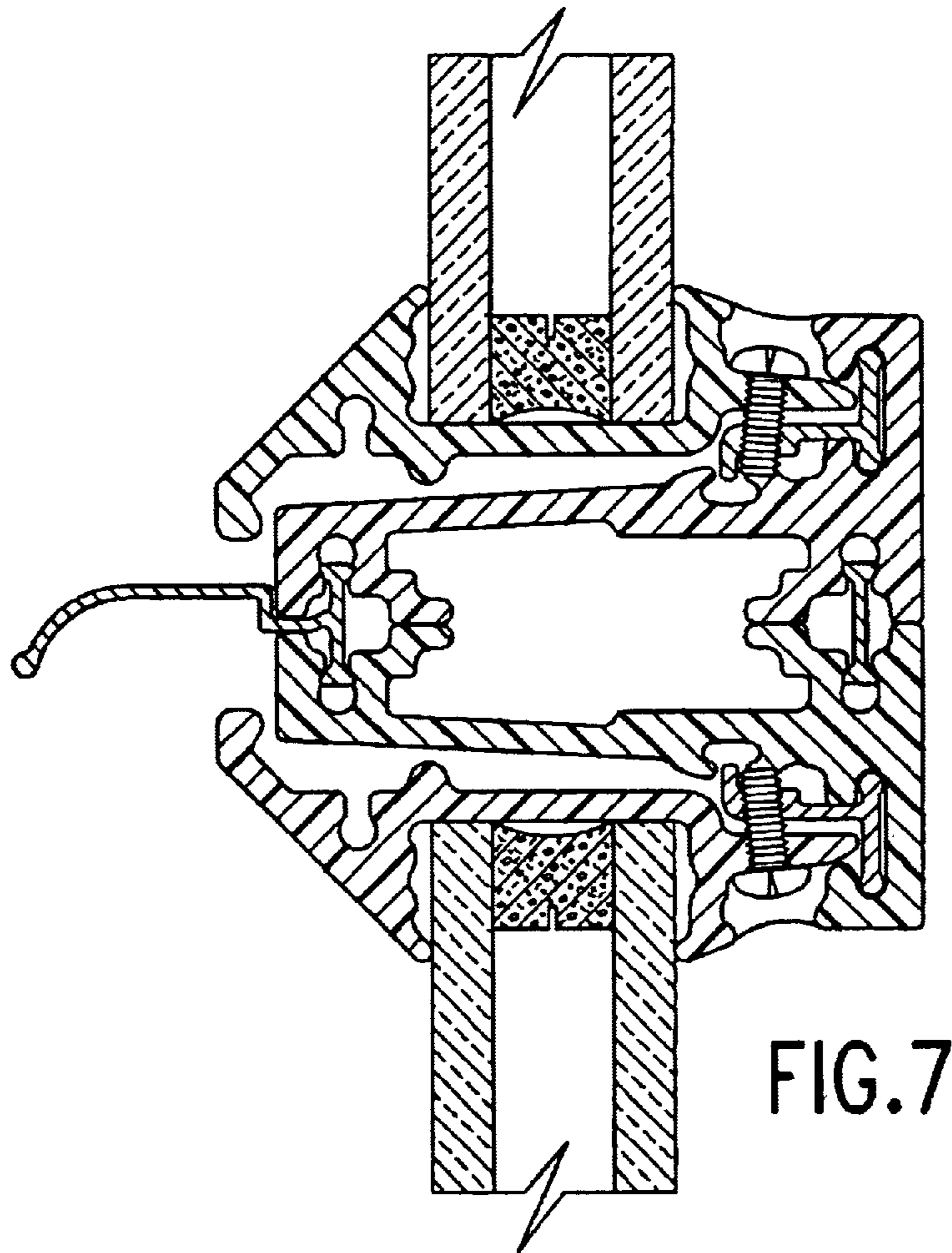
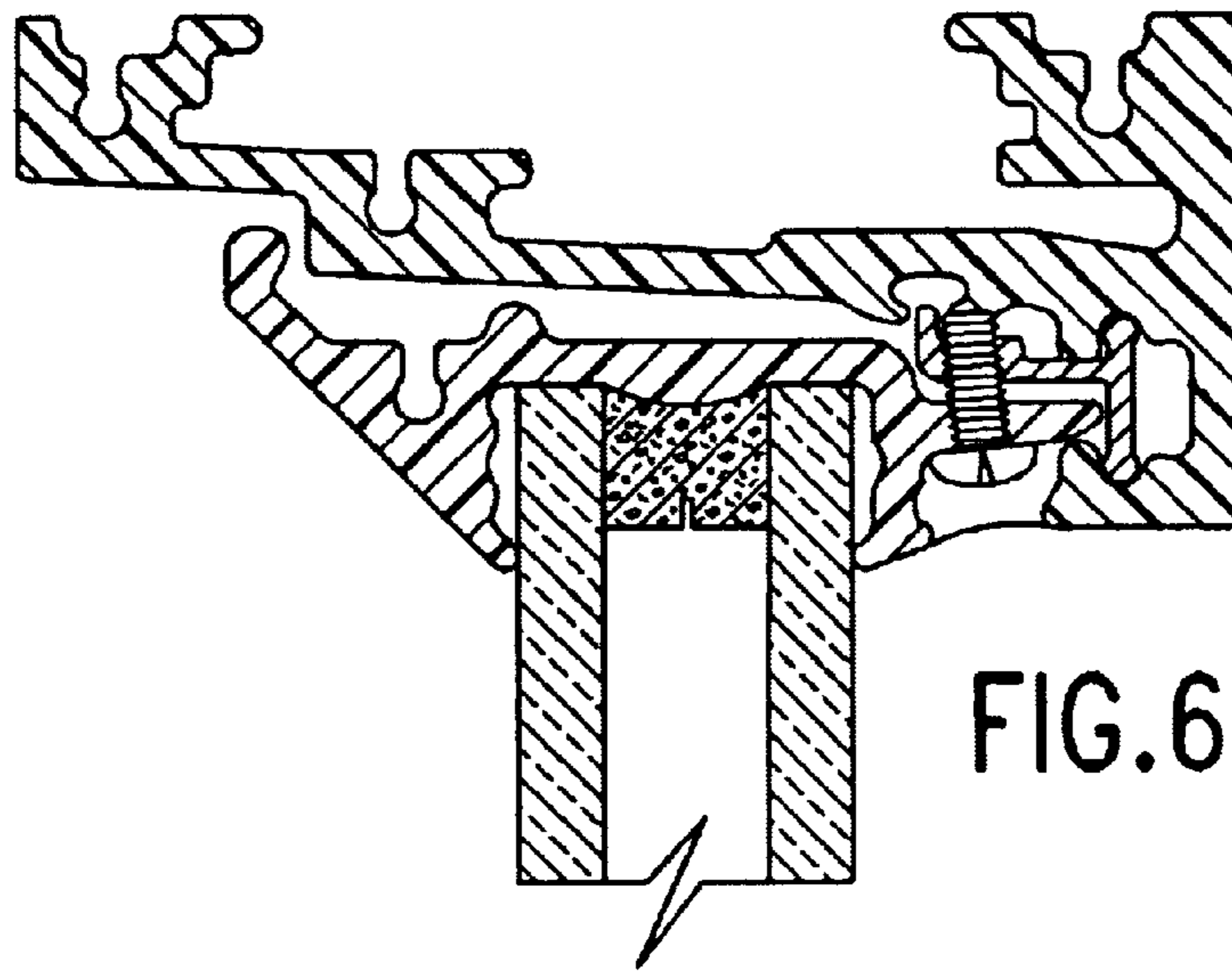
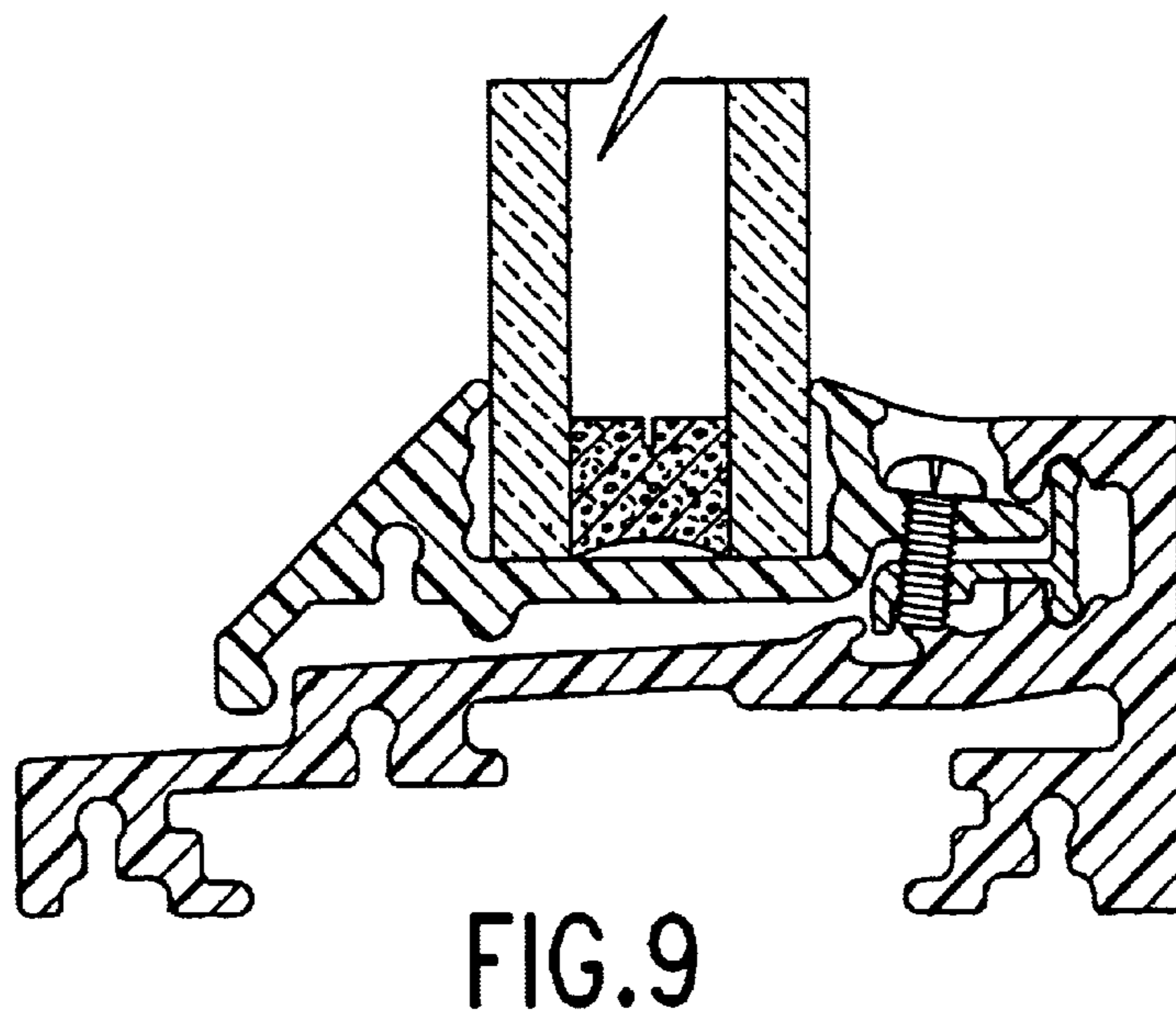
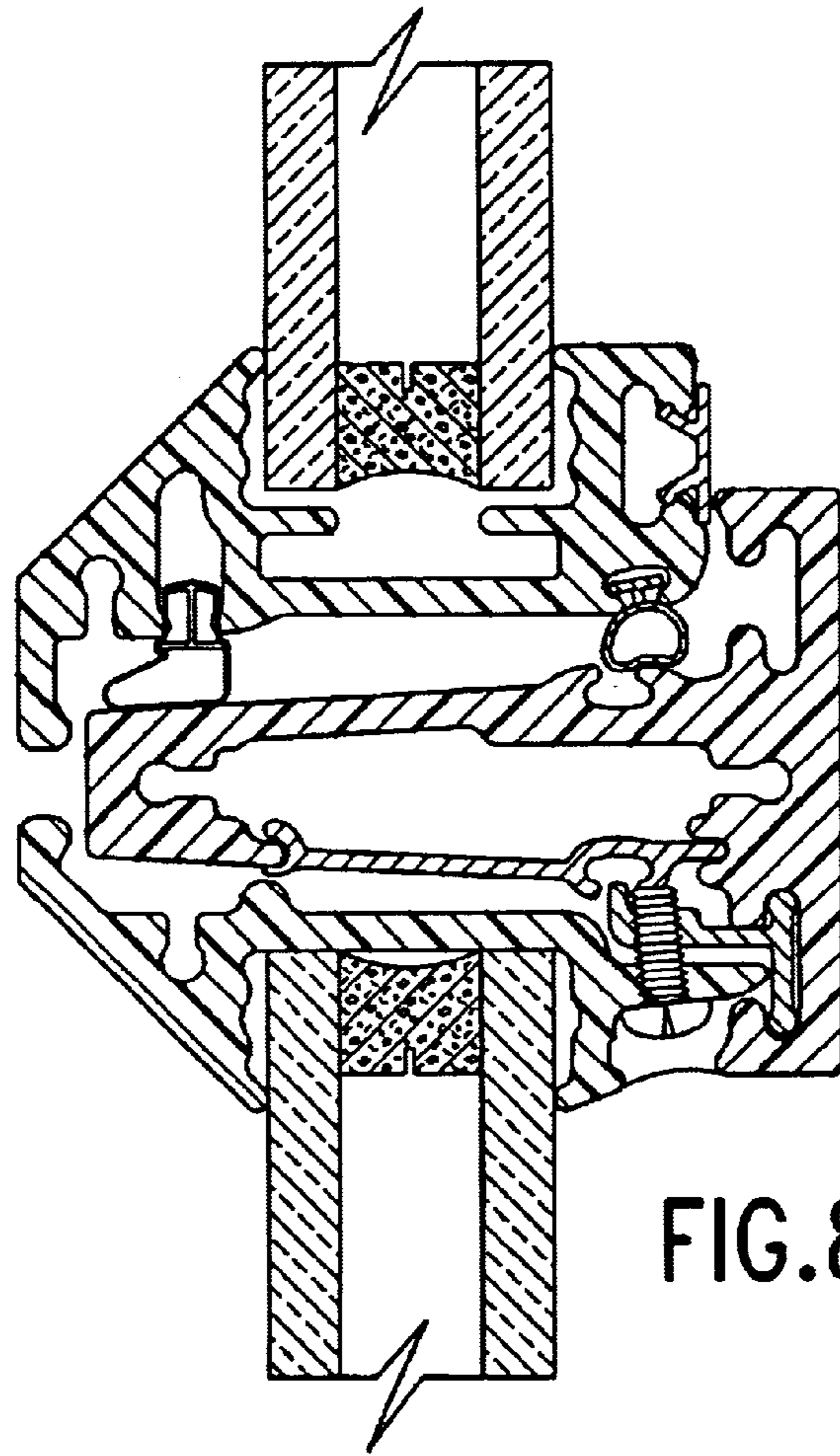
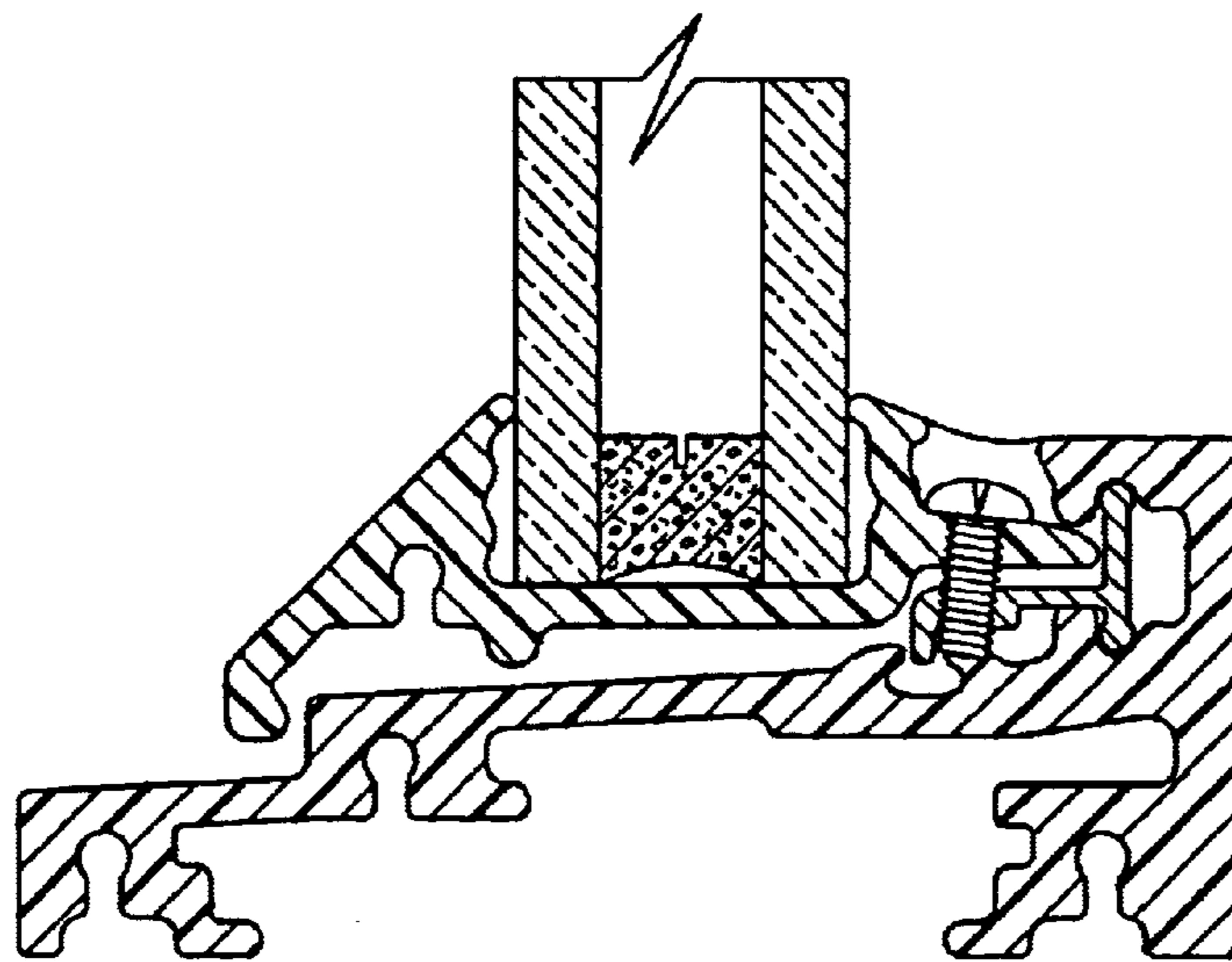
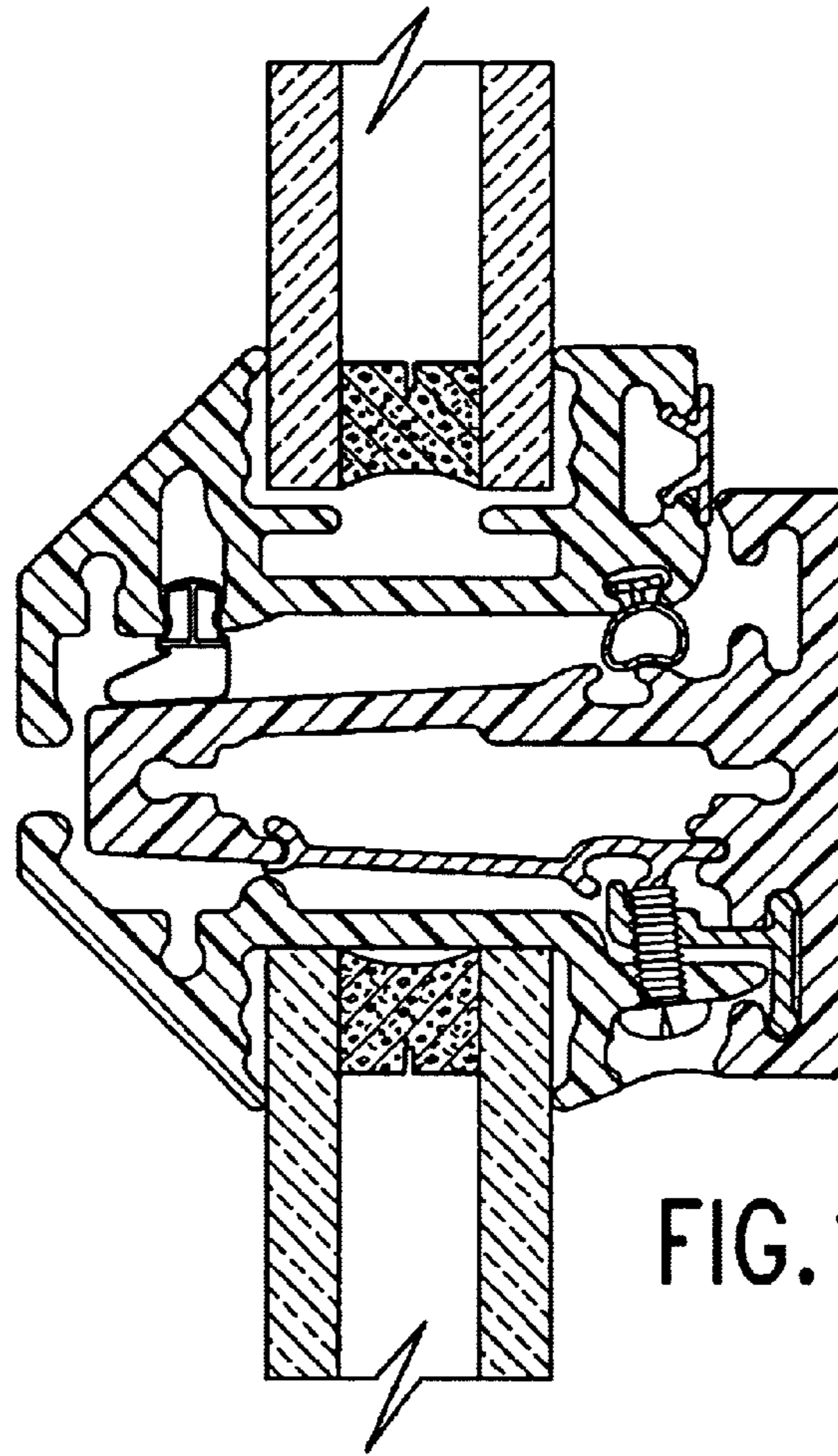


FIG. 3









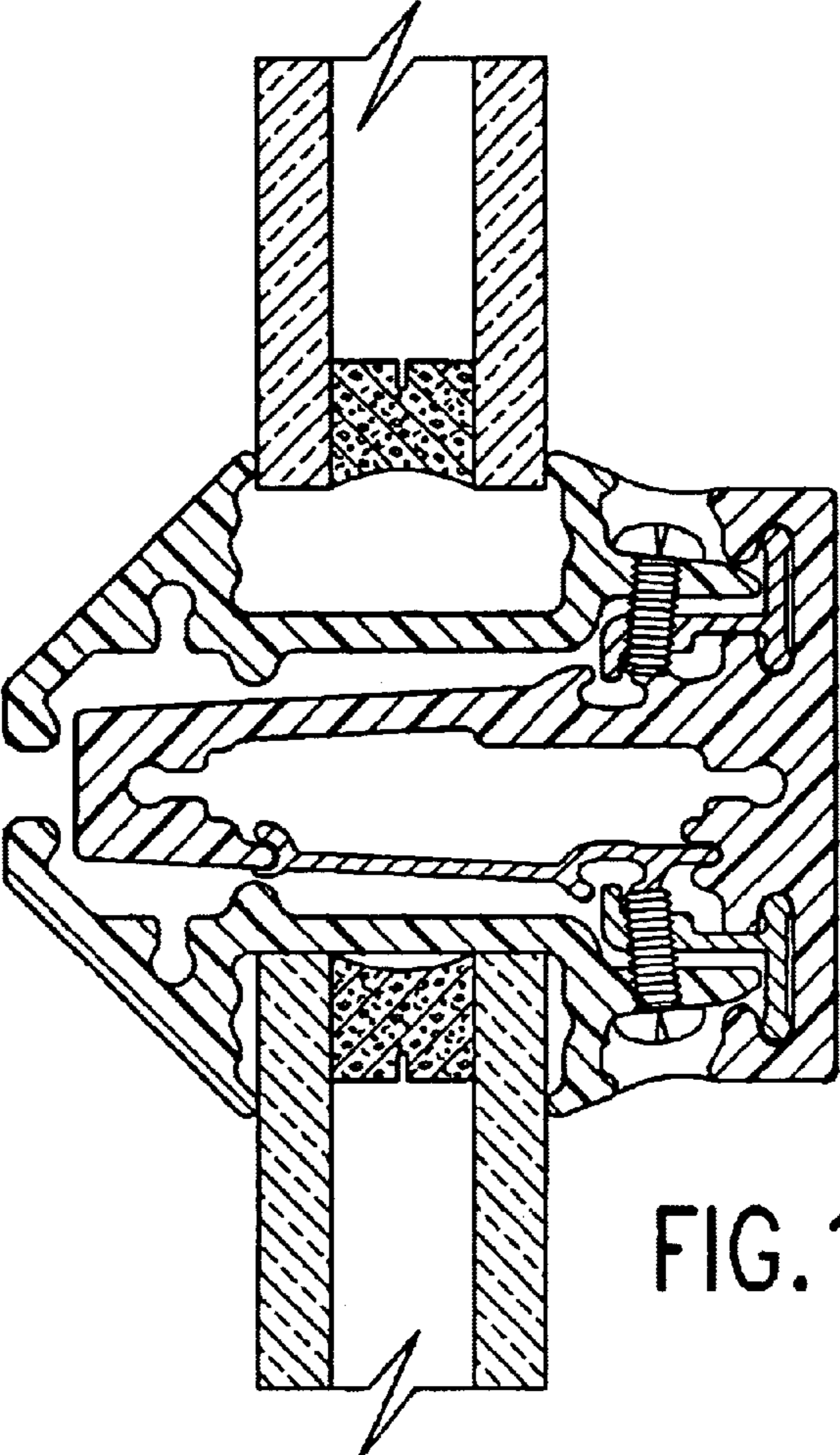


FIG. 12

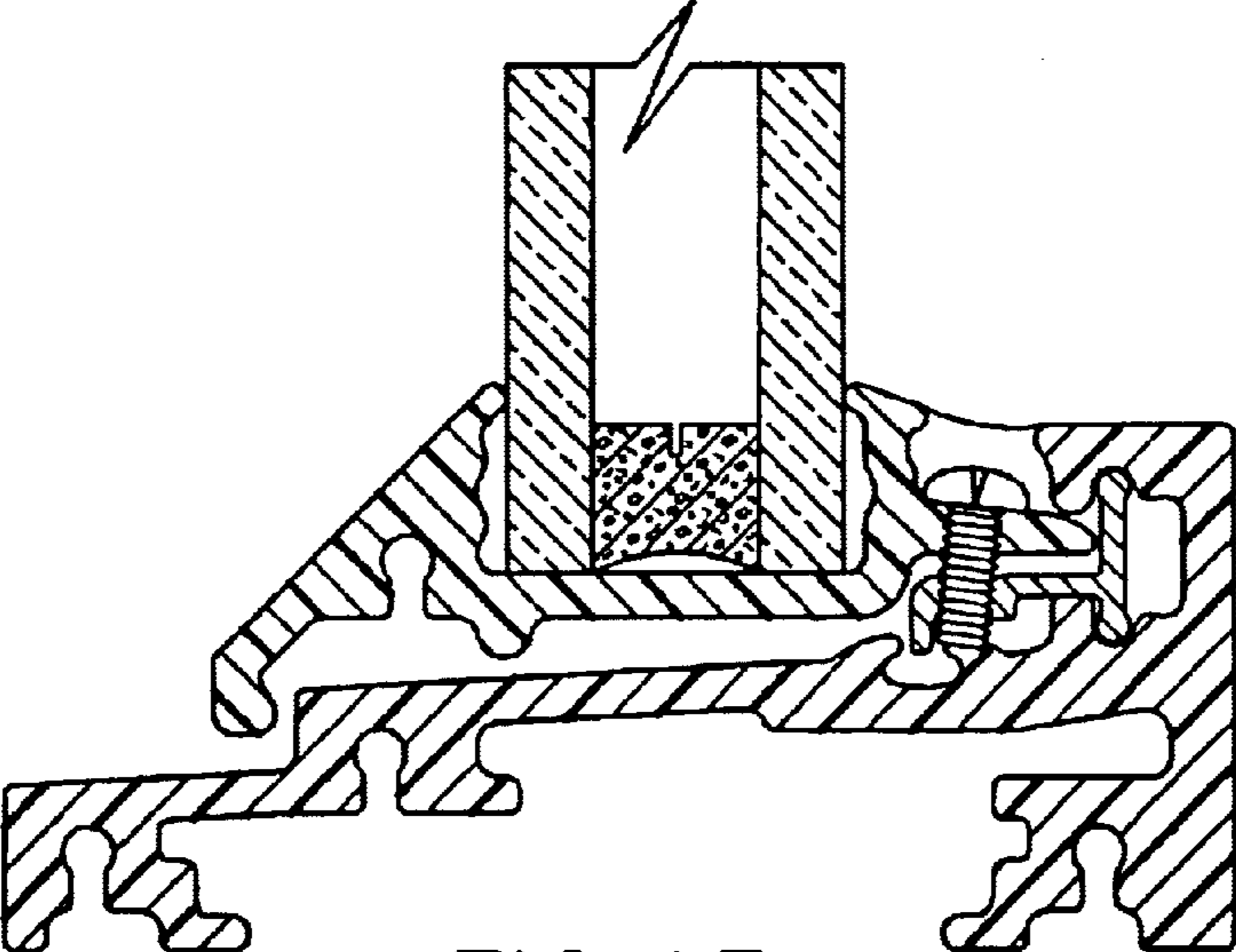
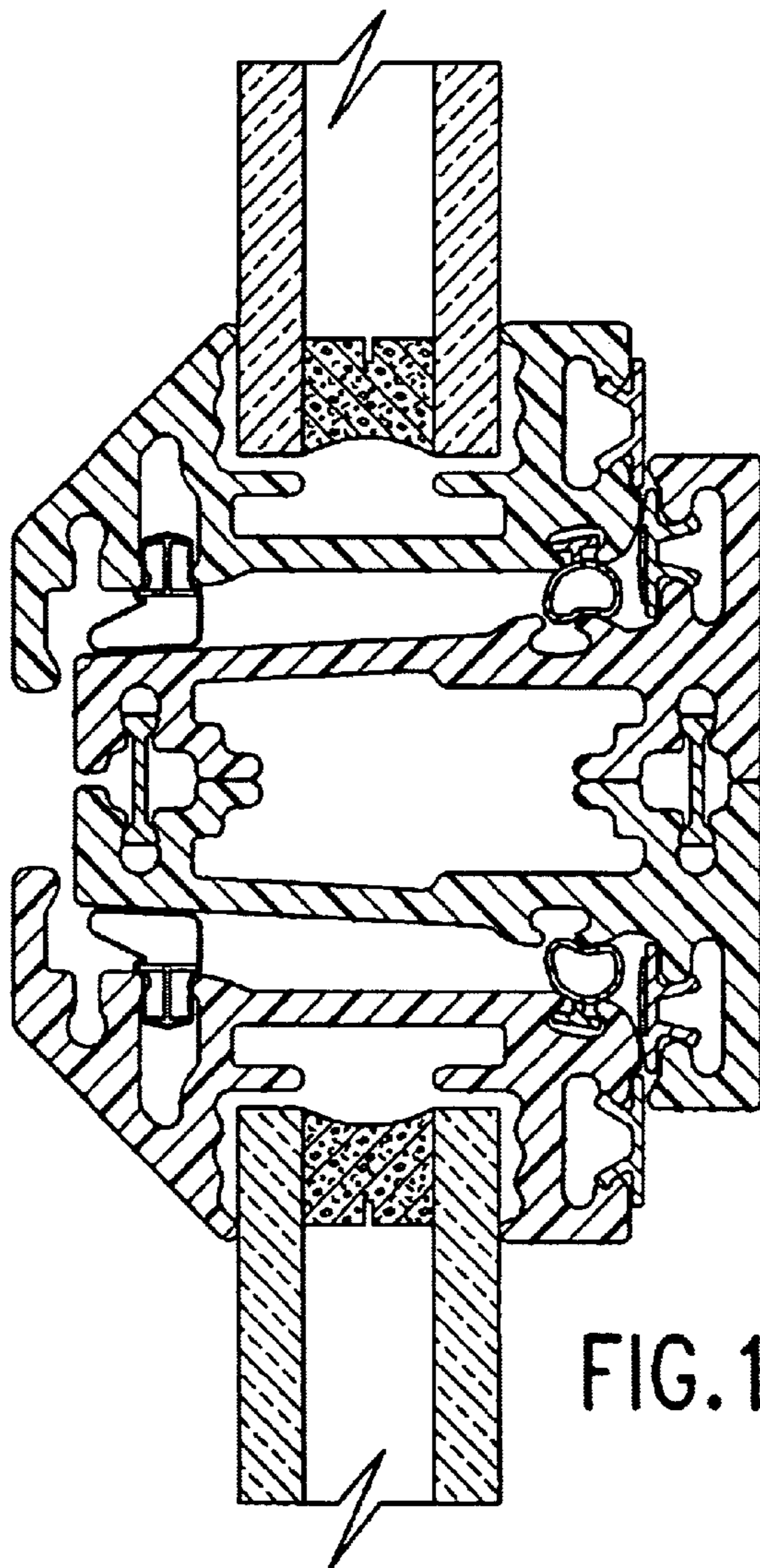
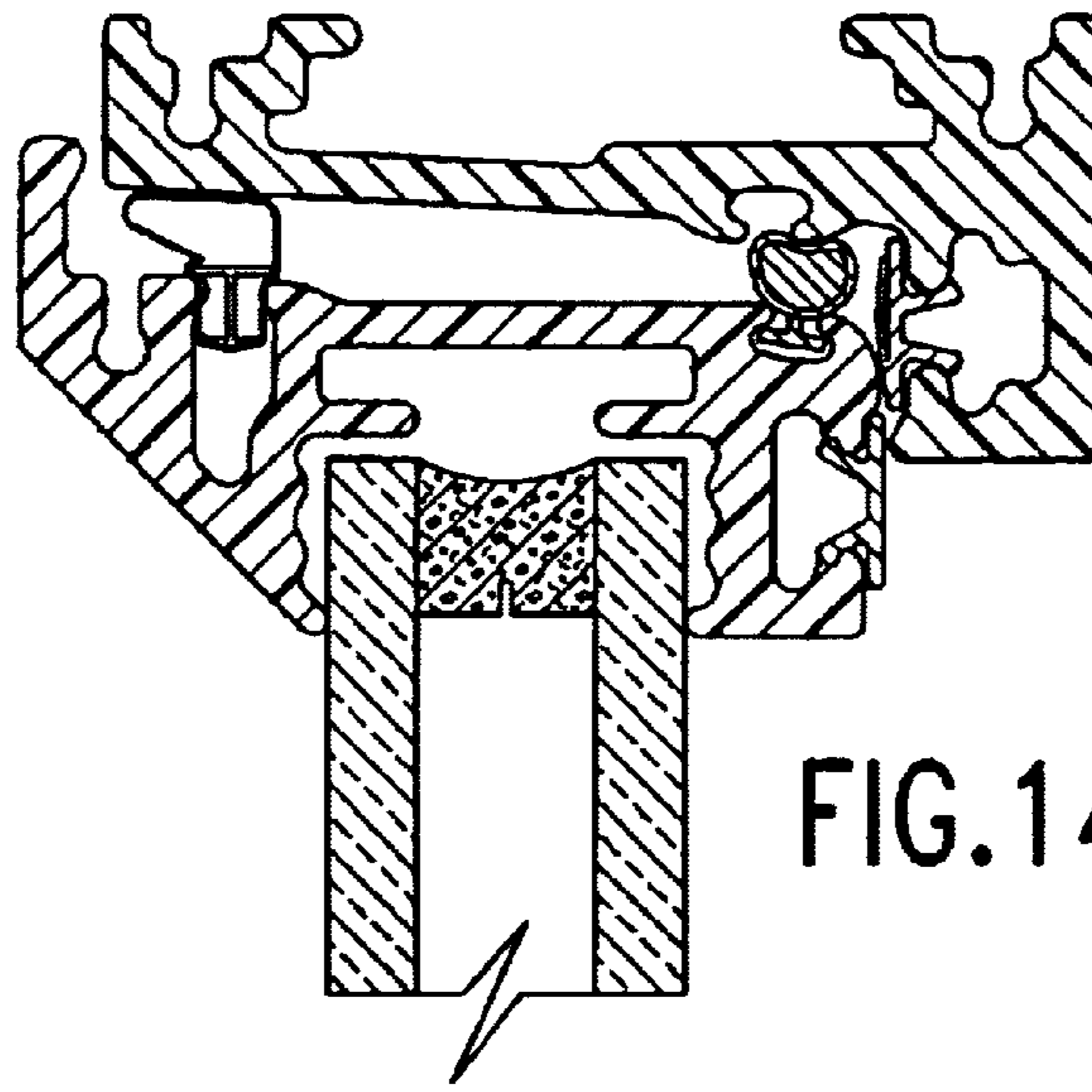
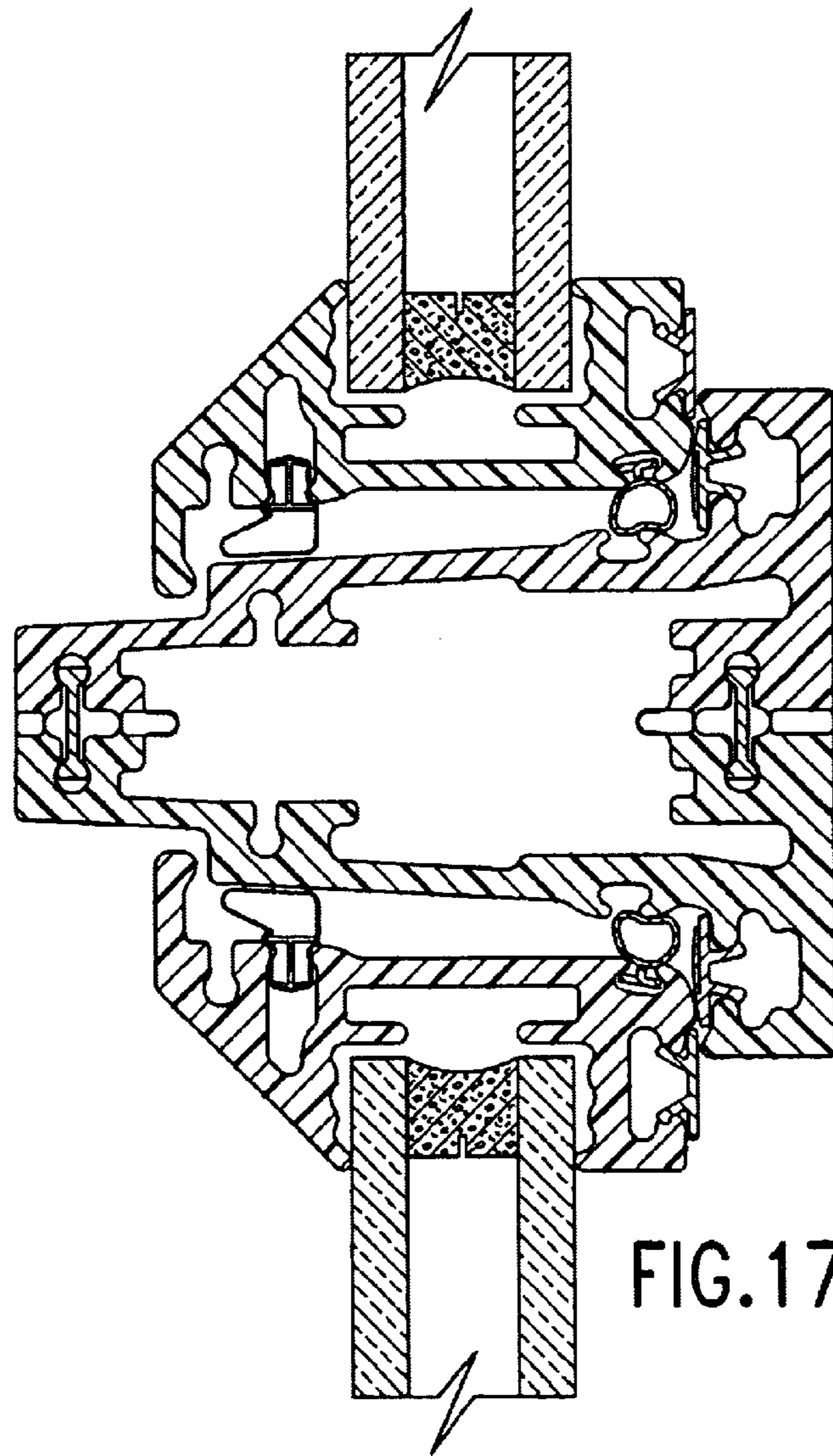
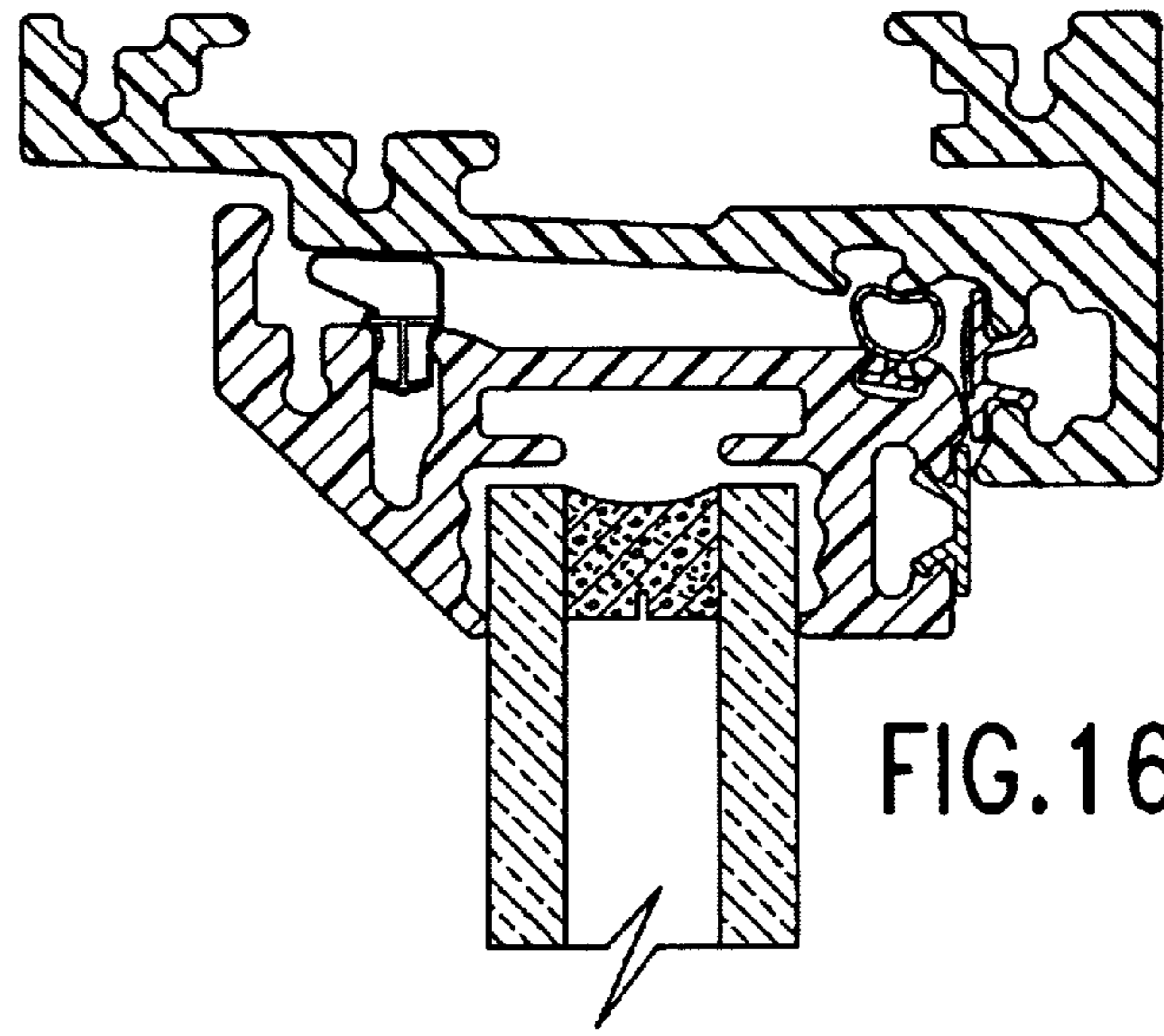


FIG. 13





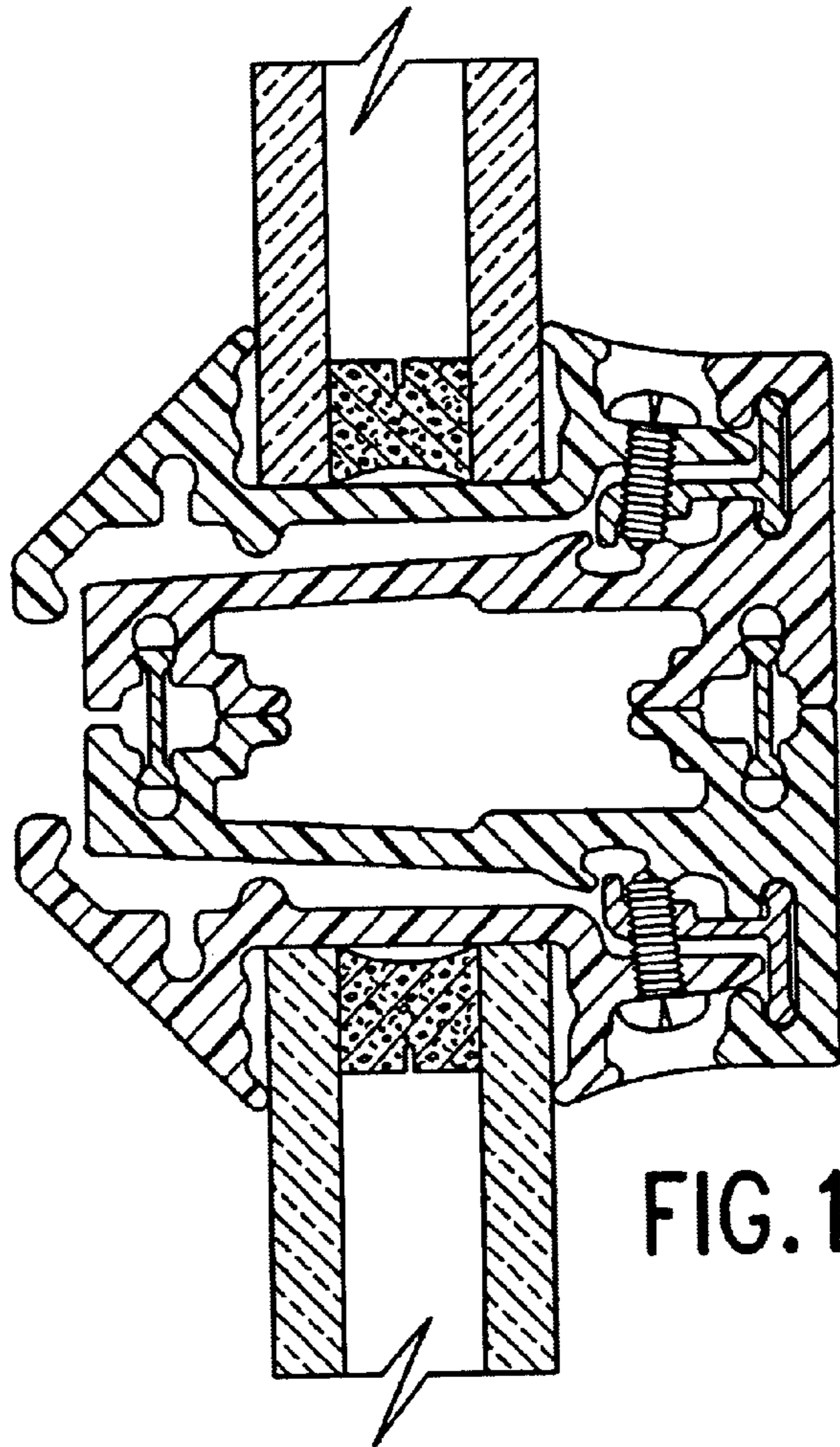


FIG. 18

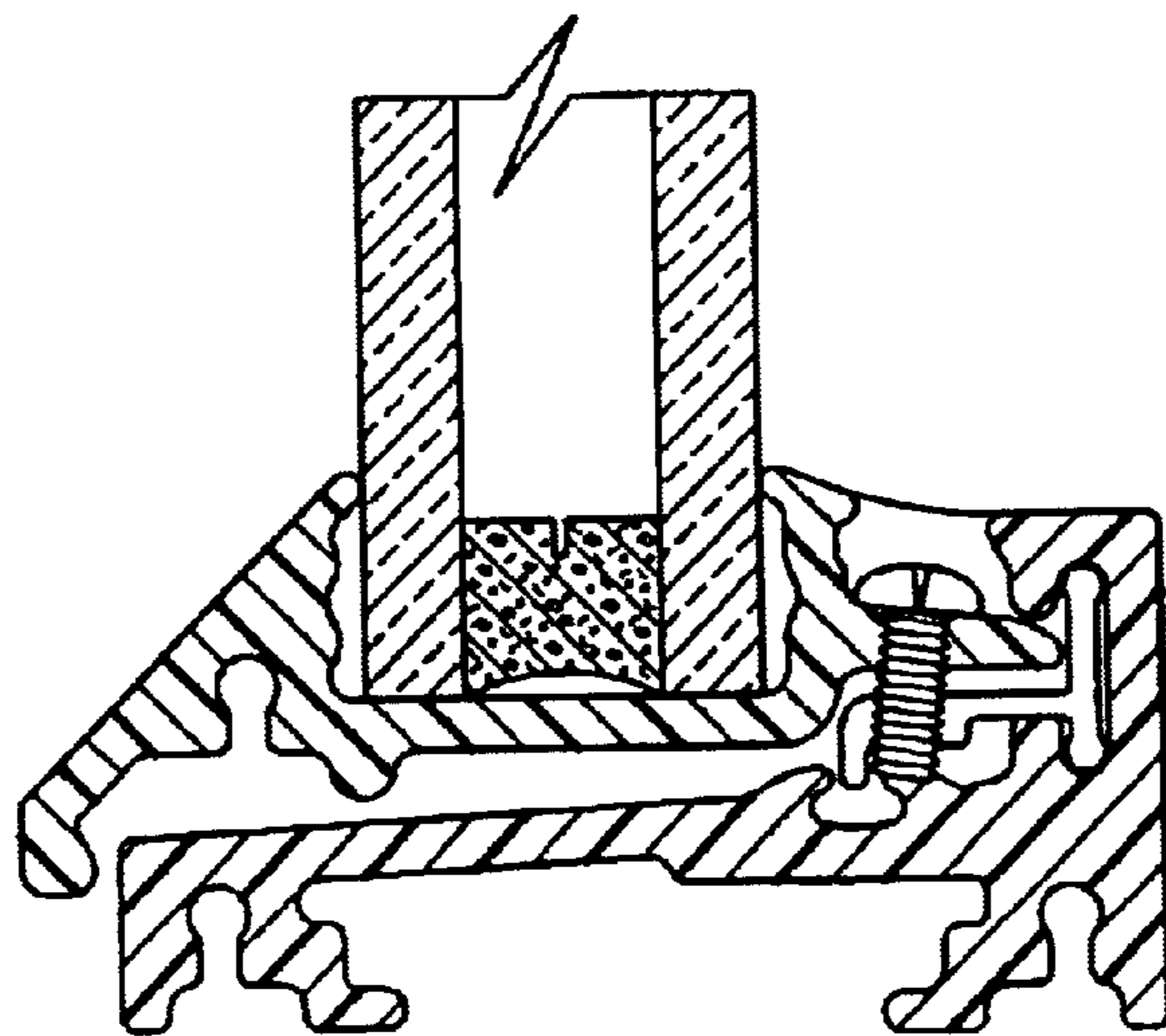


FIG. 19

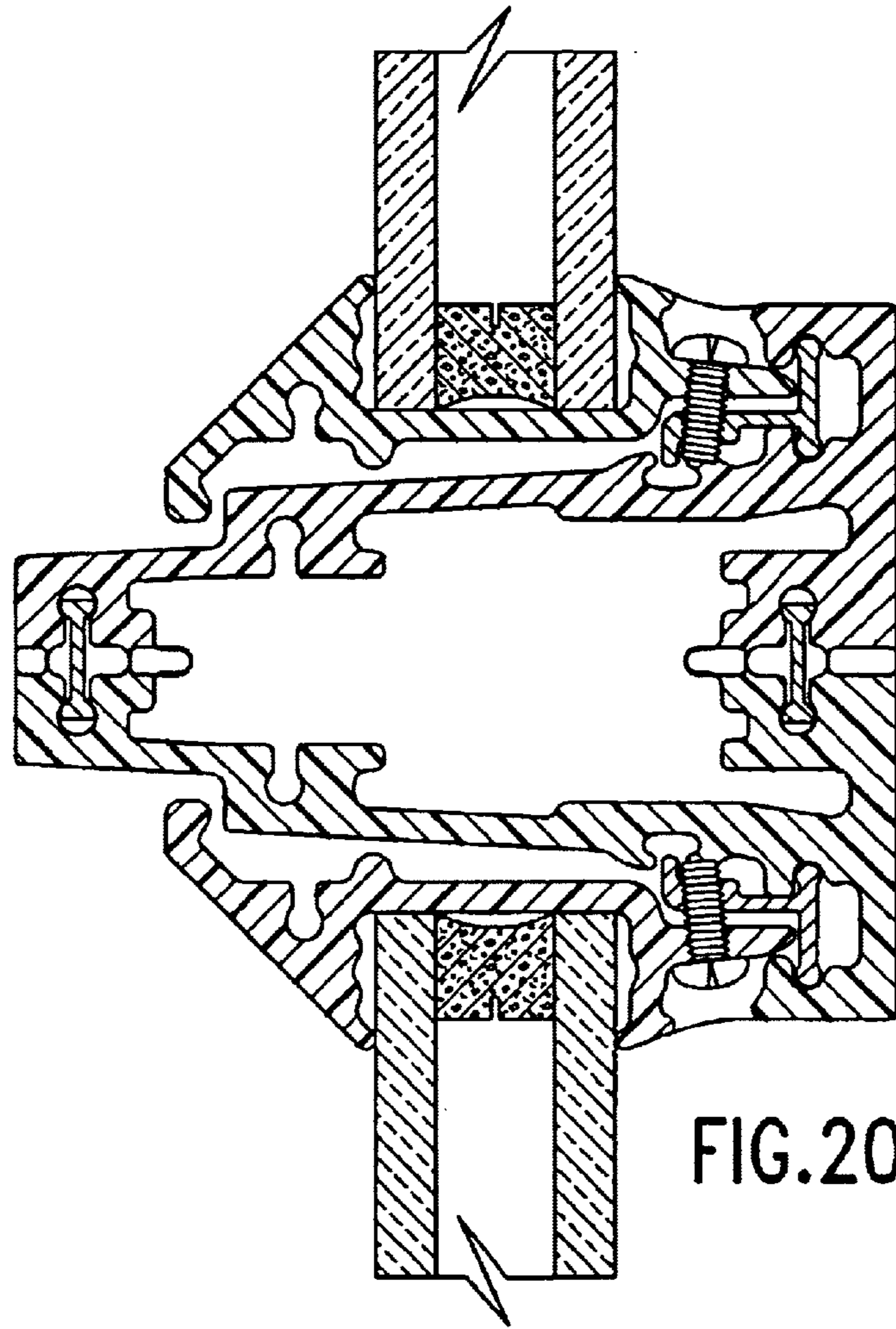


FIG. 20

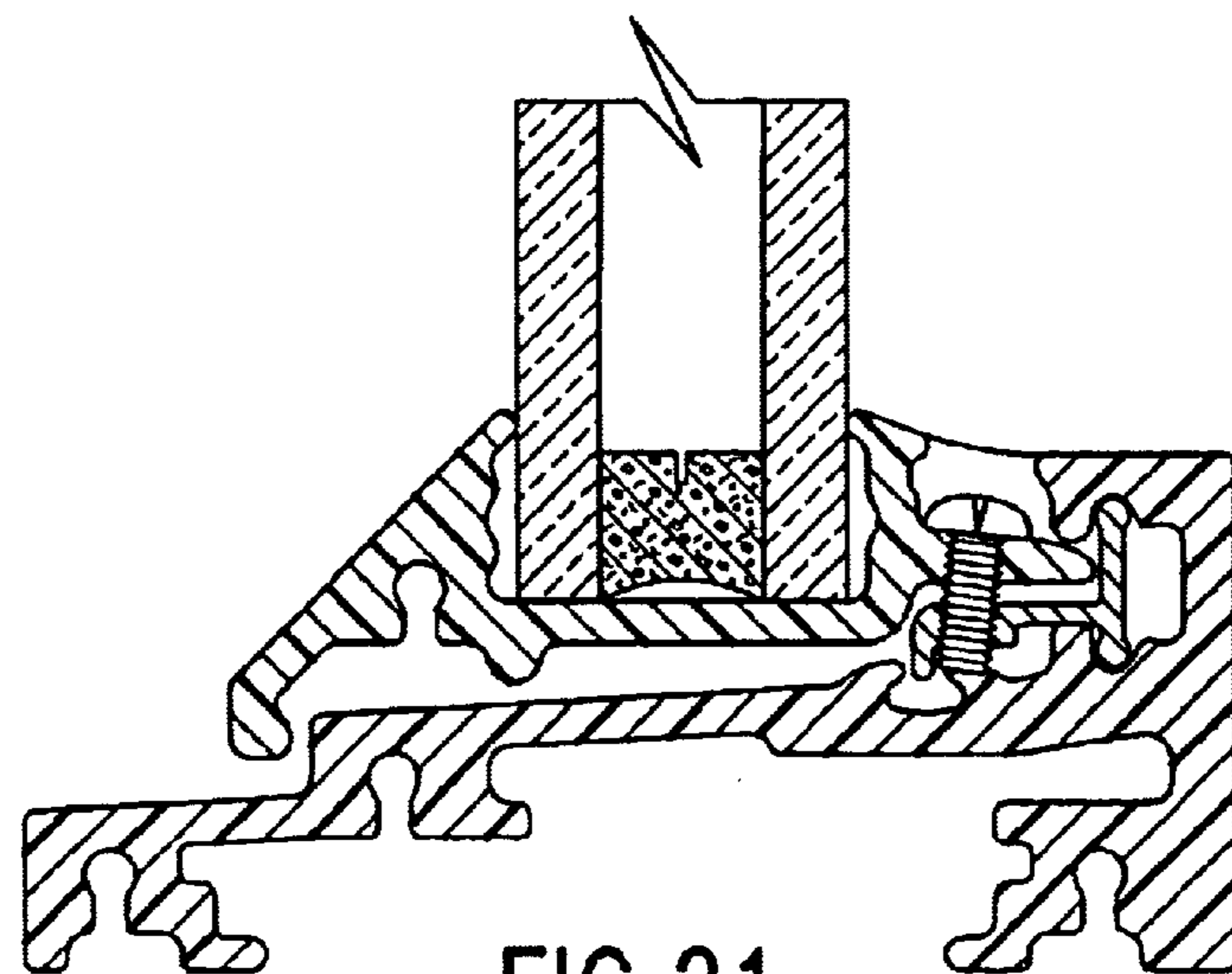


FIG. 21

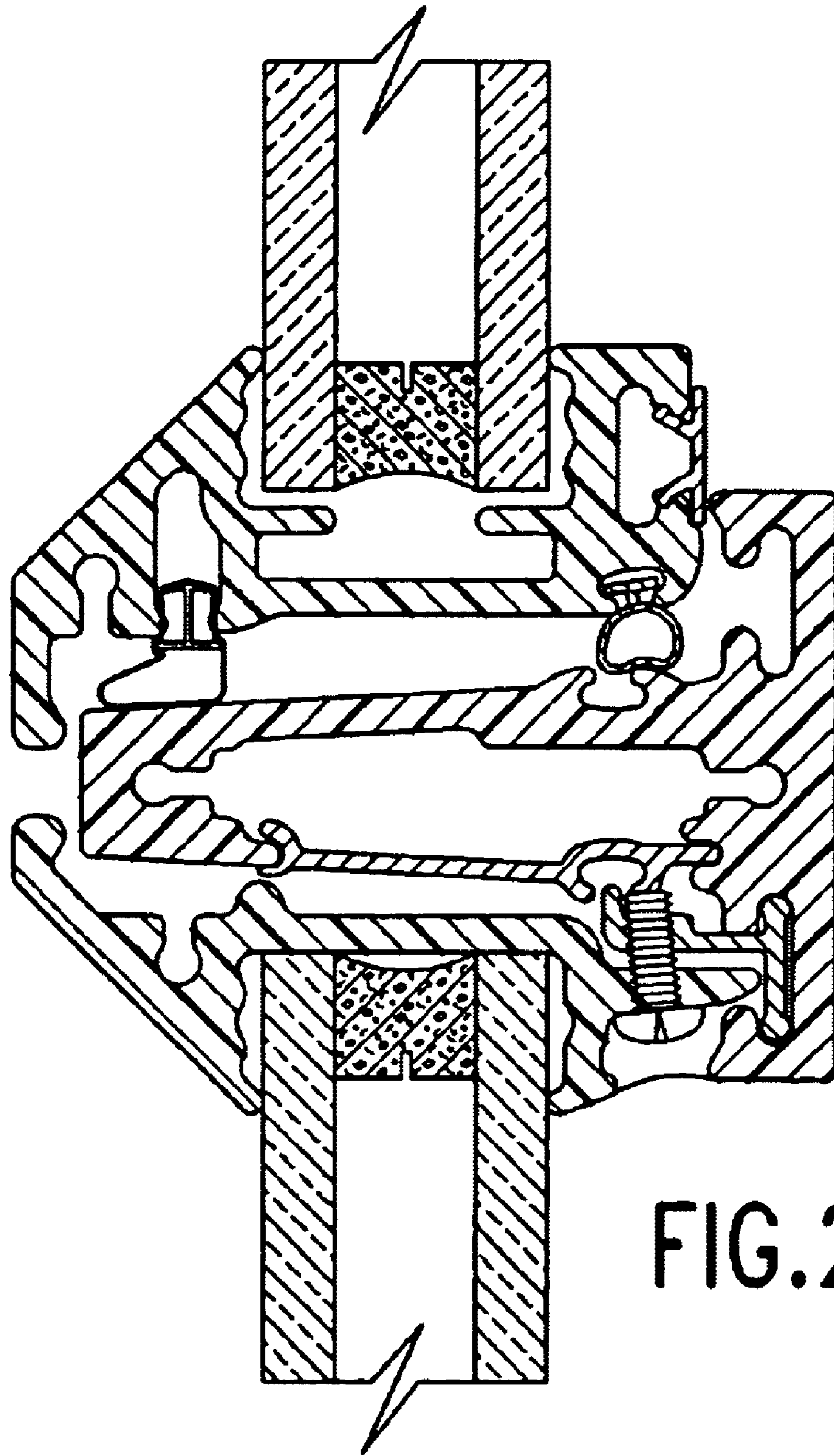


FIG. 22

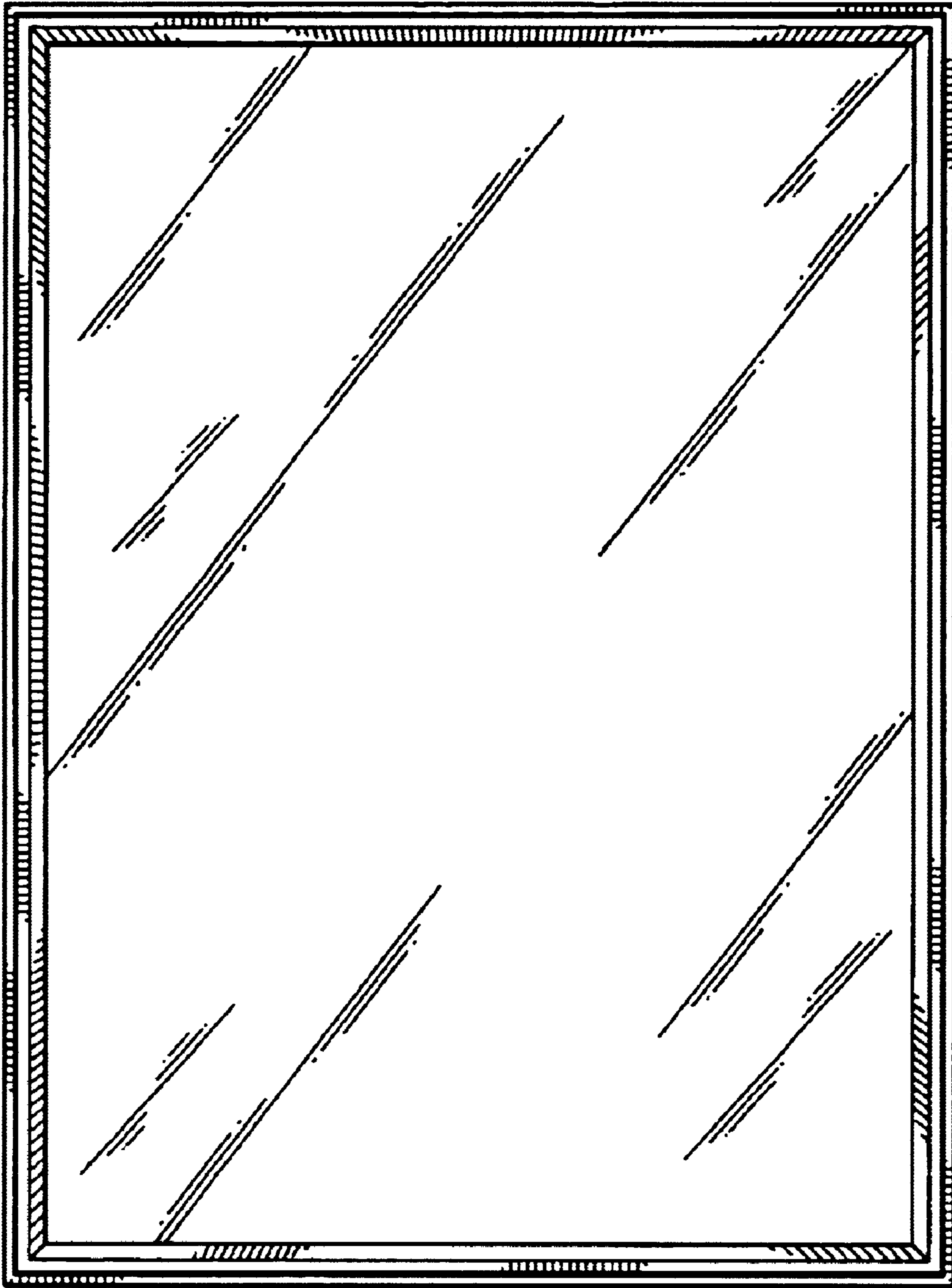


FIG.23

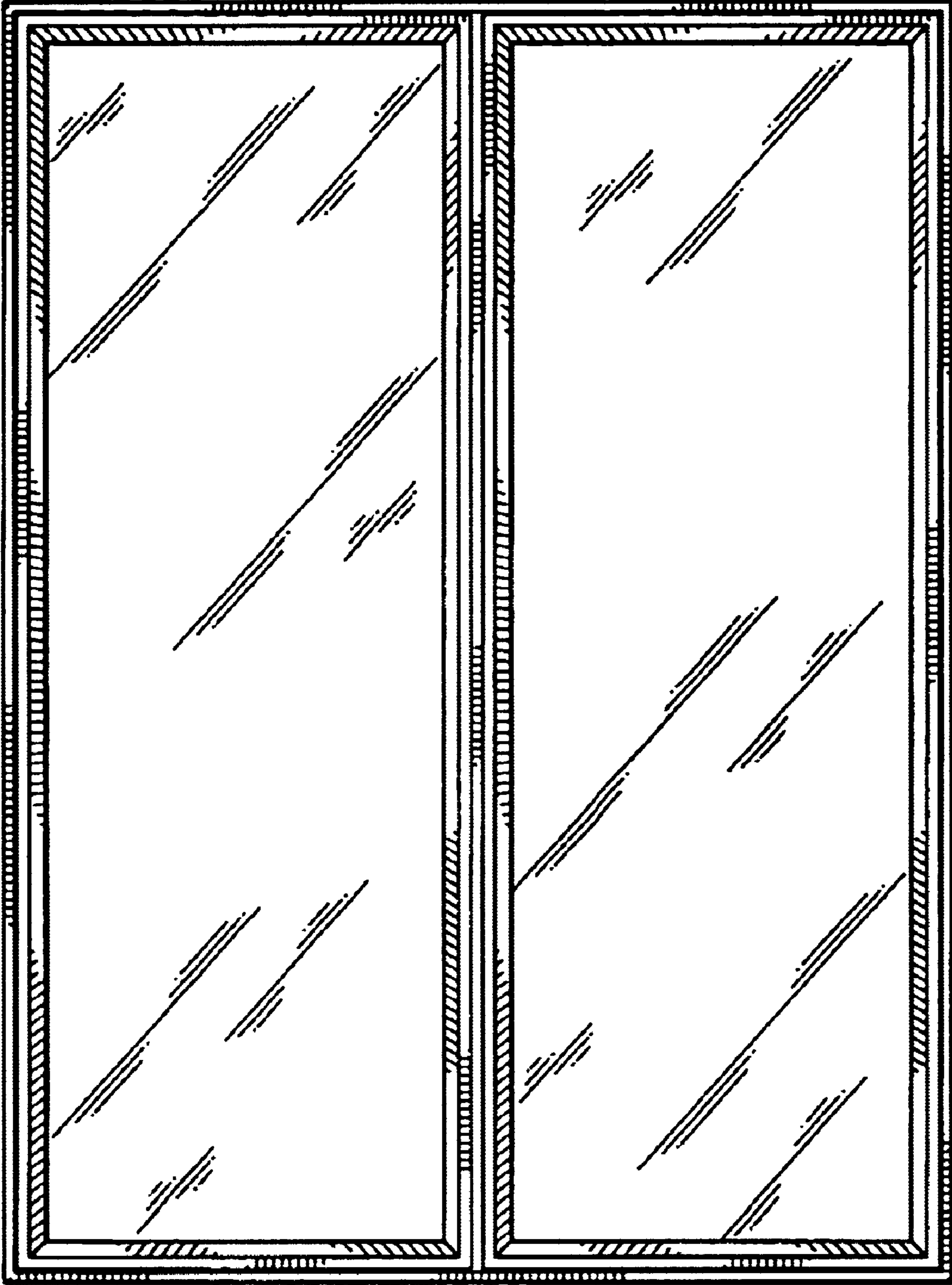


FIG. 24

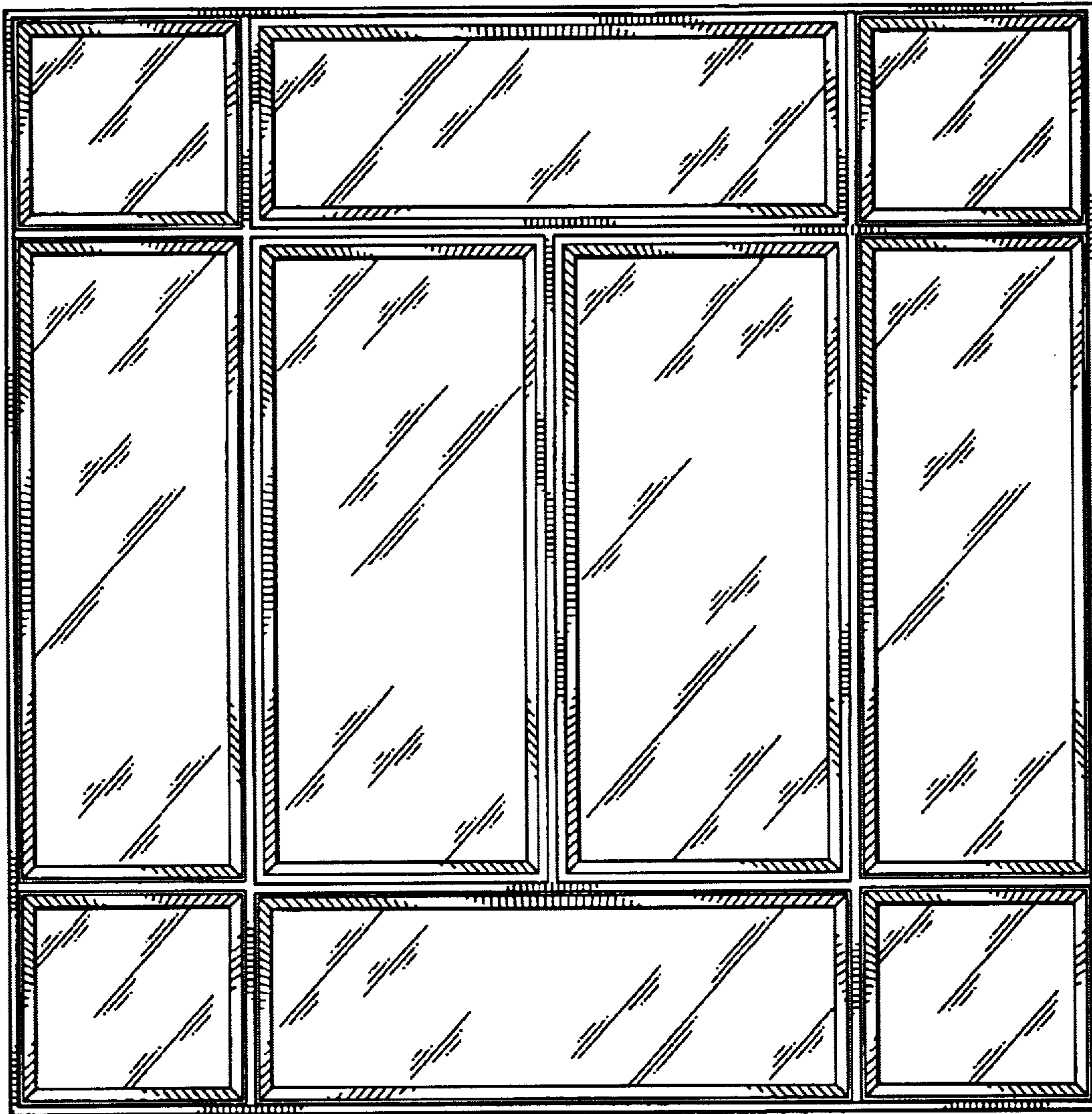


FIG. 25

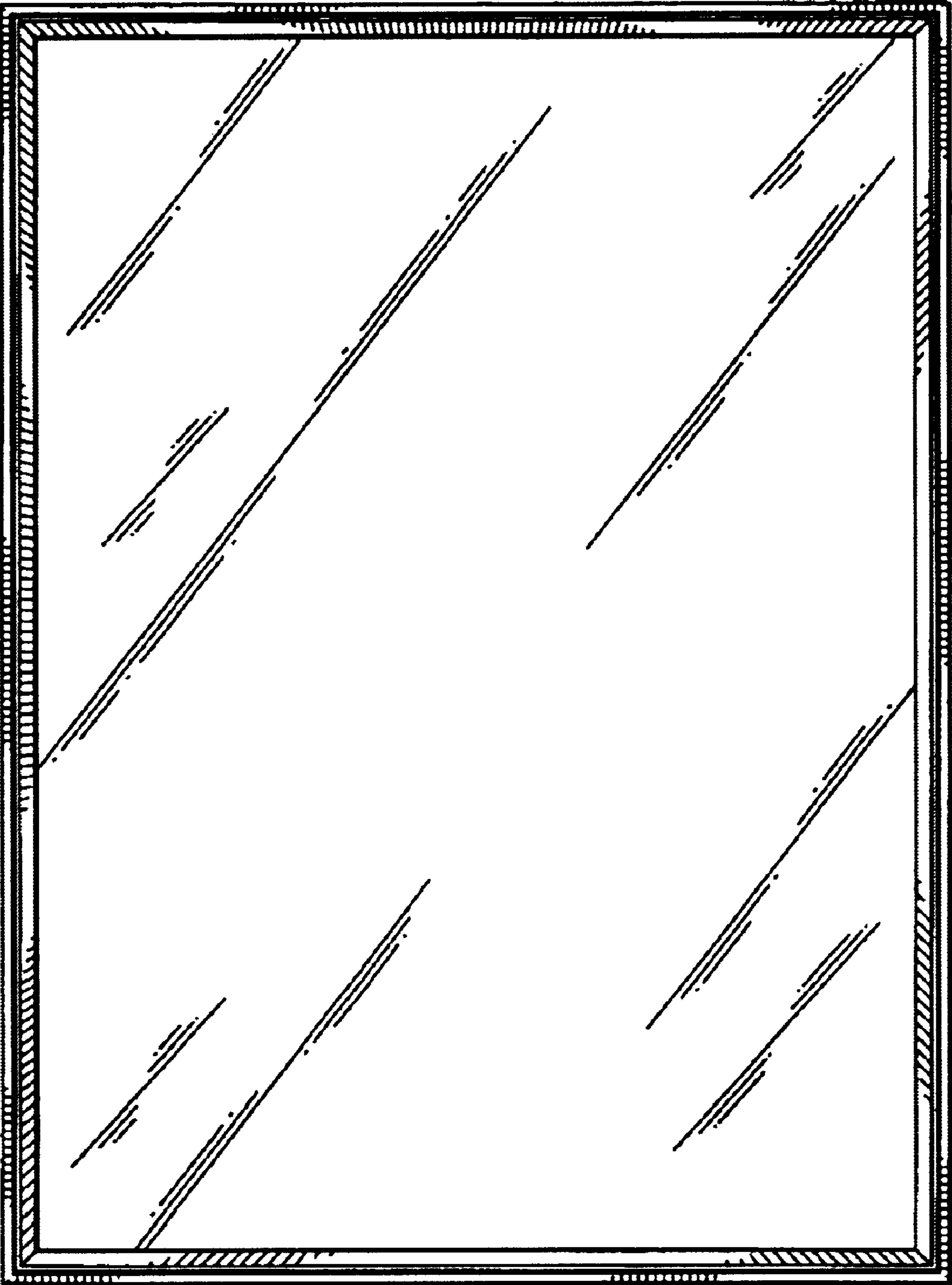


FIG. 26