

US00D492789S1

(12) **United States Design Patent**
Stassi et al.

(10) **Patent No.: US D492,789 S**
(45) **Date of Patent: ** Jul. 6, 2004**

(54) **COOLANT HEAD COVER**

(76) Inventors: **John L. Stassi**, HC30 Box 231,
Kingman, AZ (US) 86401; **Penny L. Stassi**, HC30 Box 231, Kingman, AZ
(US) 86401

(**) Term: **14 Years**

(21) Appl. No.: **29/178,355**

(22) Filed: **Mar. 26, 2003**

(51) **LOC (7) Cl.** **24-04**

(52) **U.S. Cl.** **D24/207**

(58) **Field of Search** D24/206, 207;
607/96, 108, 109, 110, 114; 383/901

(56) **References Cited**

U.S. PATENT DOCUMENTS

770,031 A	*	9/1904	Werrick	2/7
2,335,630 A	*	11/1943	Bachardy	2/7
3,090,045 A	*	5/1963	Hurst	2/7
D327,329 S	*	6/1992	Hubbard et al.	D24/207
5,197,292 A	*	3/1993	McPherson	62/56
5,466,251 A	*	11/1995	Brunson et al.	607/112

5,469,579 A	*	11/1995	Tremblay et al.	2/7
5,534,020 A	*	7/1996	Cheney et al.	607/108
5,545,198 A	*	8/1996	Owens	607/108
5,716,388 A	*	2/1998	Petelle	607/108
5,766,235 A	*	6/1998	Kostopoulos	607/114

* cited by examiner

Primary Examiner—Stella Reid

(57) **CLAIM**

The ornamental design for a coolant head cover, as shown and described.

DESCRIPTION

FIG. 1 is a top view of a coolant head cover including a pouch and showing my new design.

FIG. 2 is a side view of the coolant head cover.

FIG. 3 is a front view of the coolant head cover.

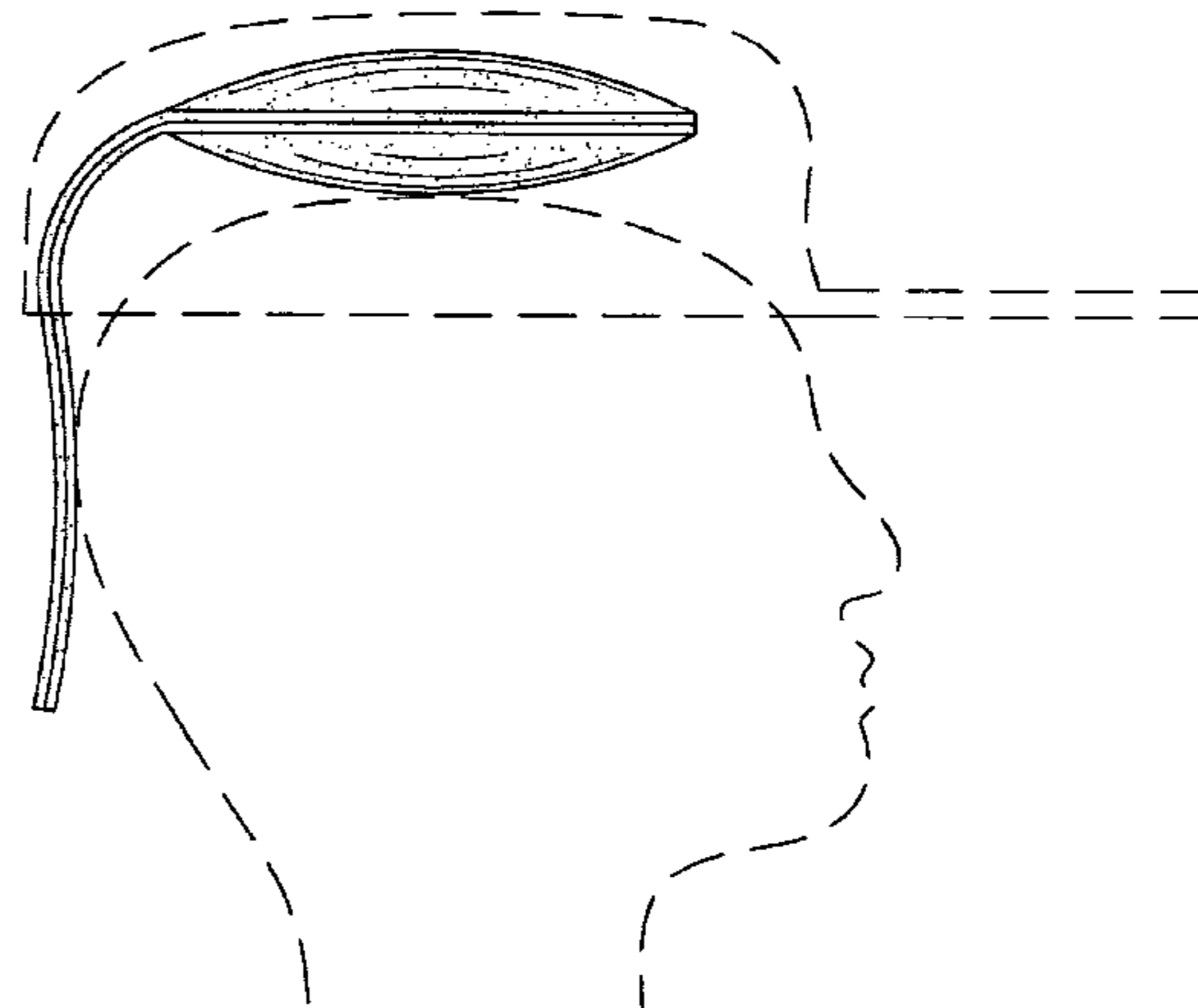
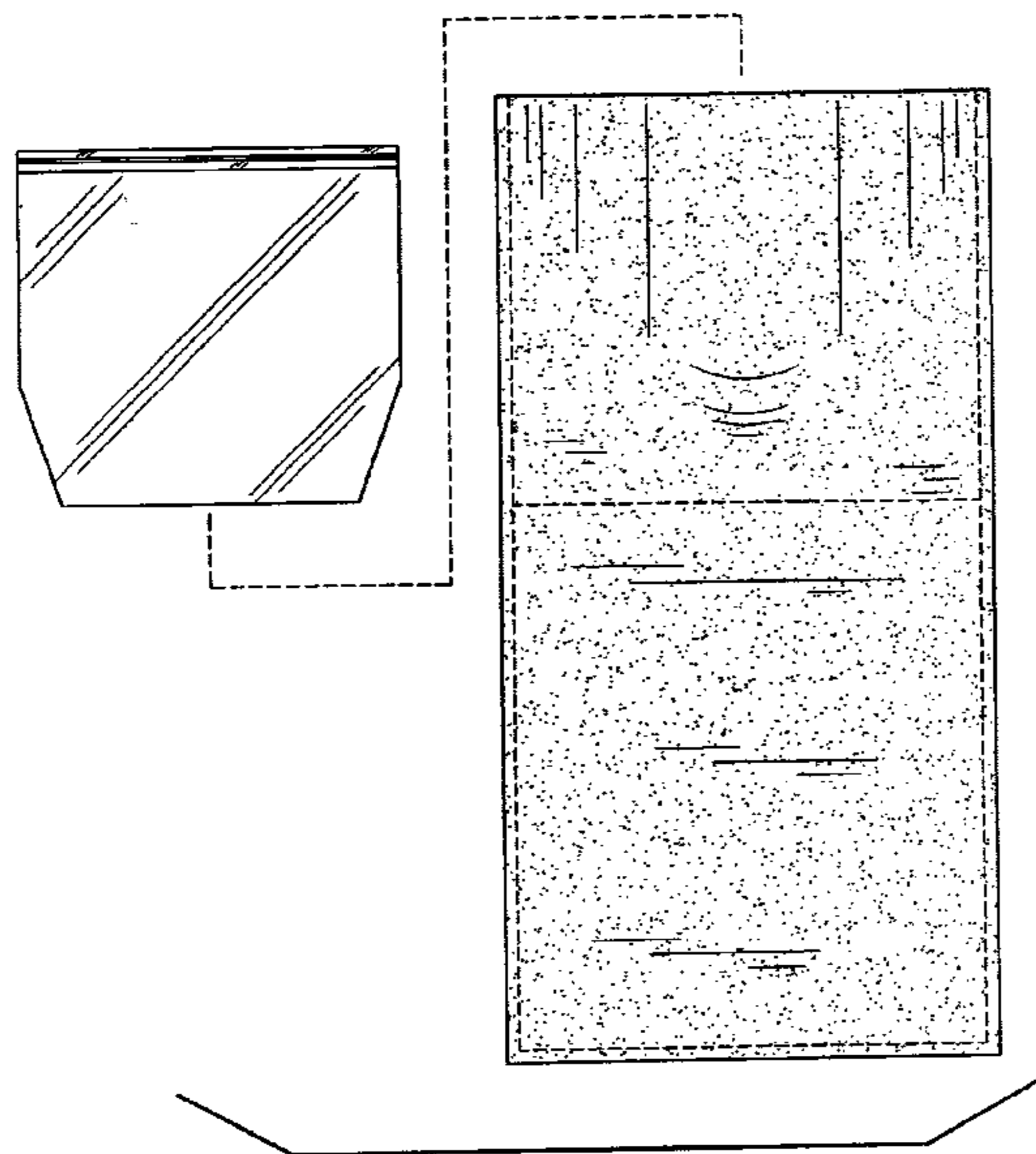
FIG. 4 is a back view of the coolant head cover; and,

FIG. 5 is another side view of the coolant head cover.

The broken lines of FIG. 1 showing stitching is for illustrative purposes only and forms no part of the claimed design.

The broken lines of FIG. 5 showing a cap is for illustrative purposes only and forms no part of the claimed design.

1 Claim, 4 Drawing Sheets



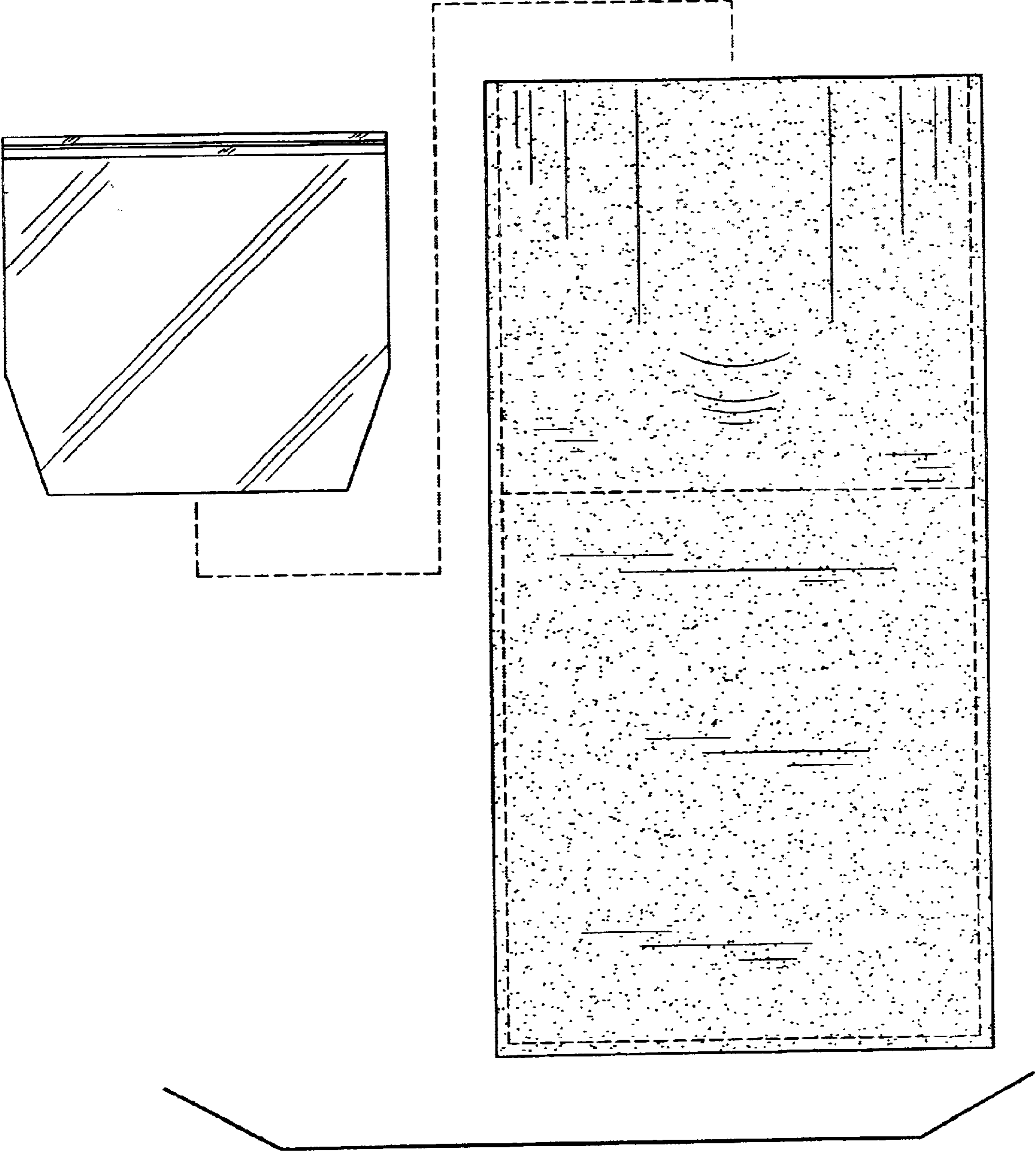


FIG. 1

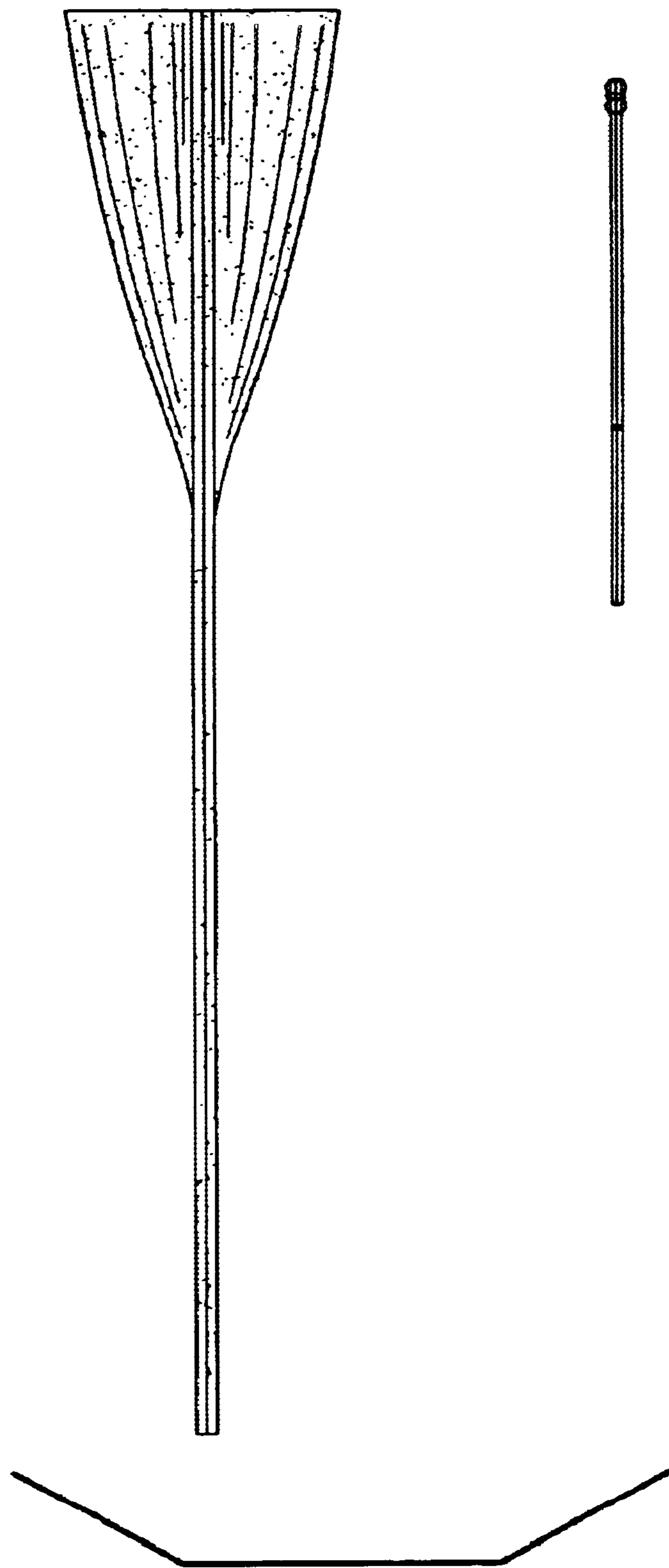


FIG. 2

FIG. 3

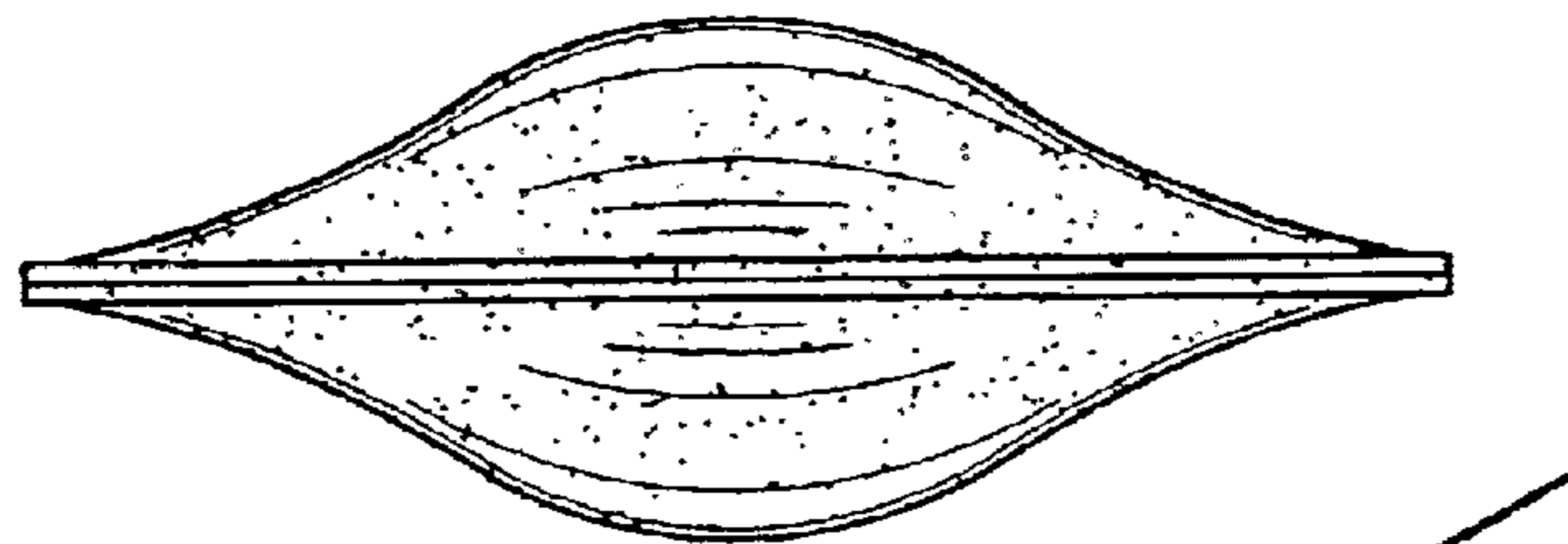
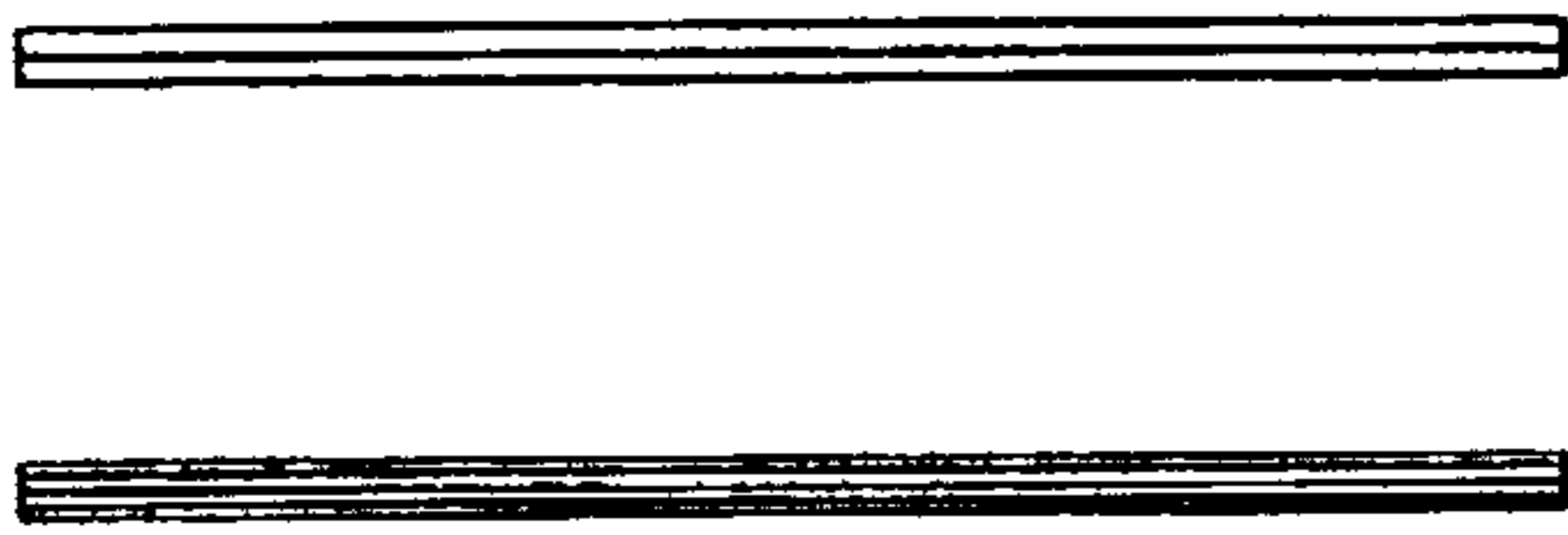
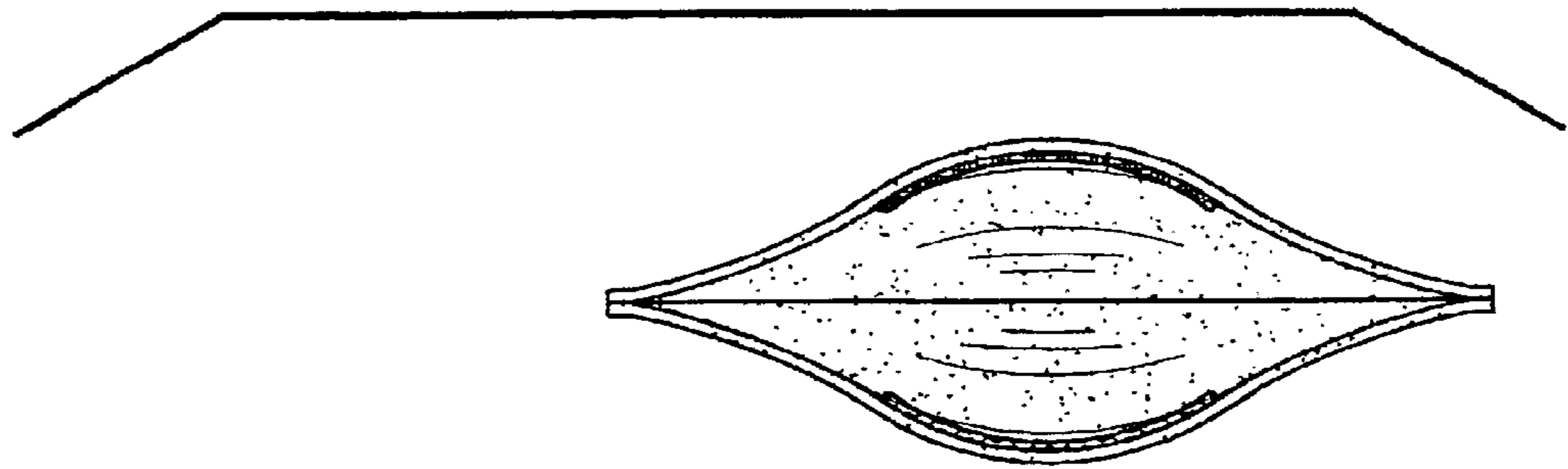


FIG. 4

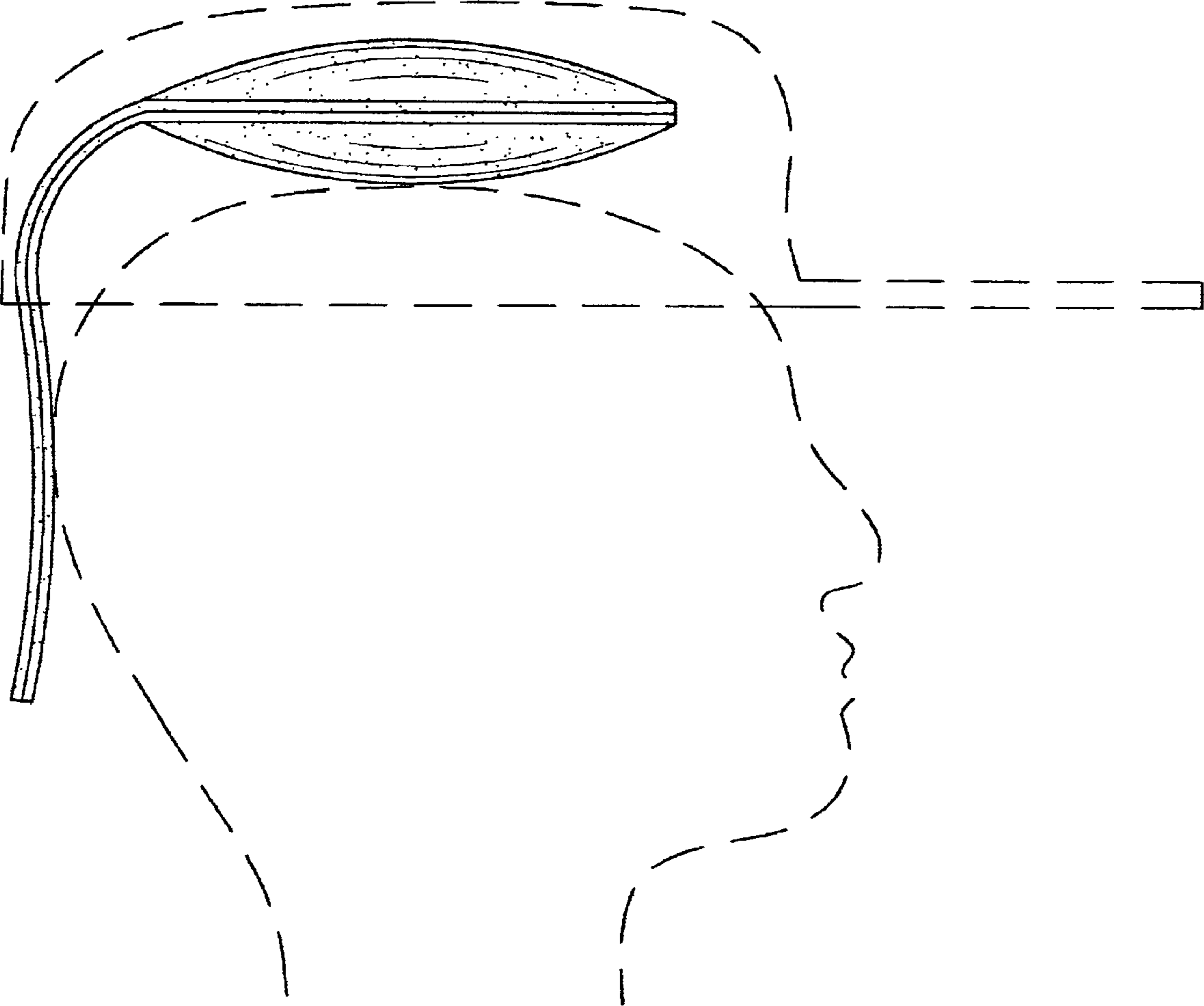


FIG. 5