

US00D492784S1

(12) **United States Design Patent**
Lax

(10) **Patent No.:** **US D492,784 S**
(45) **Date of Patent:** **** Jul. 6, 2004**

(54) **CLIP FOR STRAP FOR A HEART RATE MONITOR**

(75) Inventor: **Asko Lax, Kiviniemi (FI)**

(73) Assignee: **Polar Electro Oy, Kempele (FI)**

(**) Term: **14 Years**

(21) Appl. No.: **29/186,864**

(22) Filed: **Jul. 23, 2003**

(30) **Foreign Application Priority Data**

Jan. 29, 2003 (FI) M20030023

(51) **LOC (7) Cl.** **24-01**

(52) **U.S. Cl.** **D24/167**

(58) **Field of Search** D24/167; 600/481,
600/483, 485, 502, 503, 508, 509

(56) **References Cited**

U.S. PATENT DOCUMENTS

4,596,256 A * 6/1986 Ascher et al. 600/523
D341,659 S * 11/1993 Homayoun et al. D24/167
D429,336 S * 8/2000 Francis et al. D24/167

2002/0024450 A1 * 2/2002 Townsend et al. 340/870.16
2002/0038094 A1 * 3/2002 Gorman 600/520
2003/0176798 A1 * 9/2003 Simon 600/509

* cited by examiner

Primary Examiner—Stella Reid

(74) *Attorney, Agent, or Firm*—Hoffmann & Baron, LLP

(57) **CLAIM**

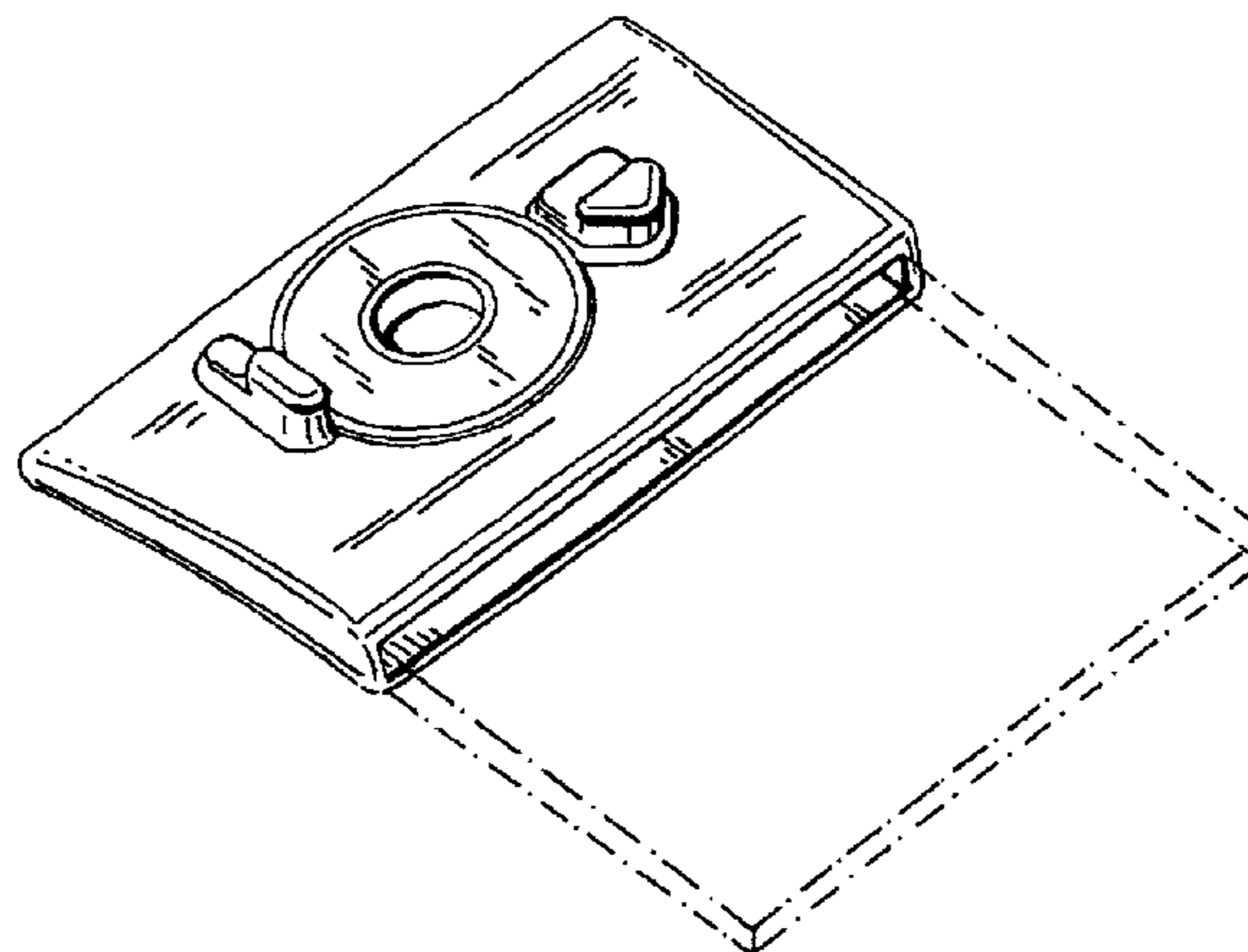
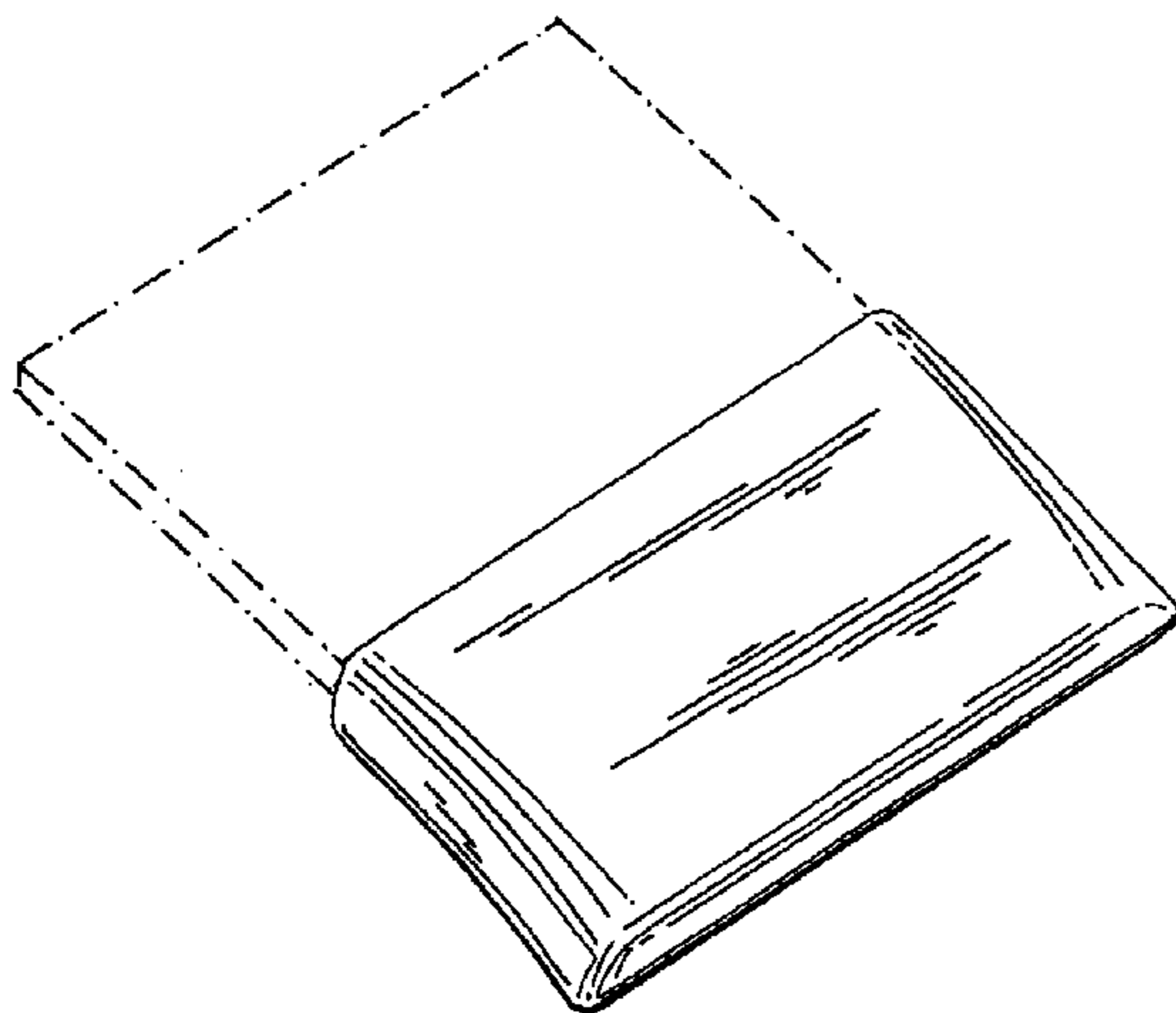
The ornamental design for a clip for strap for a heart rate monitor, as shown and described.

DESCRIPTION

FIG. 1 is a perspective top view of a clip for strap for a heart rate monitor showing my new design;
FIG. 2 is a perspective bottom view thereof;
FIG. 3 is a top view thereof;
FIG. 4 is a bottom view thereof;
FIG. 5 is a front view thereof;
FIG. 6 is a back view thereof;
FIG. 7 is a right side view thereof; and,
FIG. 8 is a left side view thereof.

The portions shown in broken lines are for illustrative purposes only form no part of the claimed design.

1 Claim, 2 Drawing Sheets



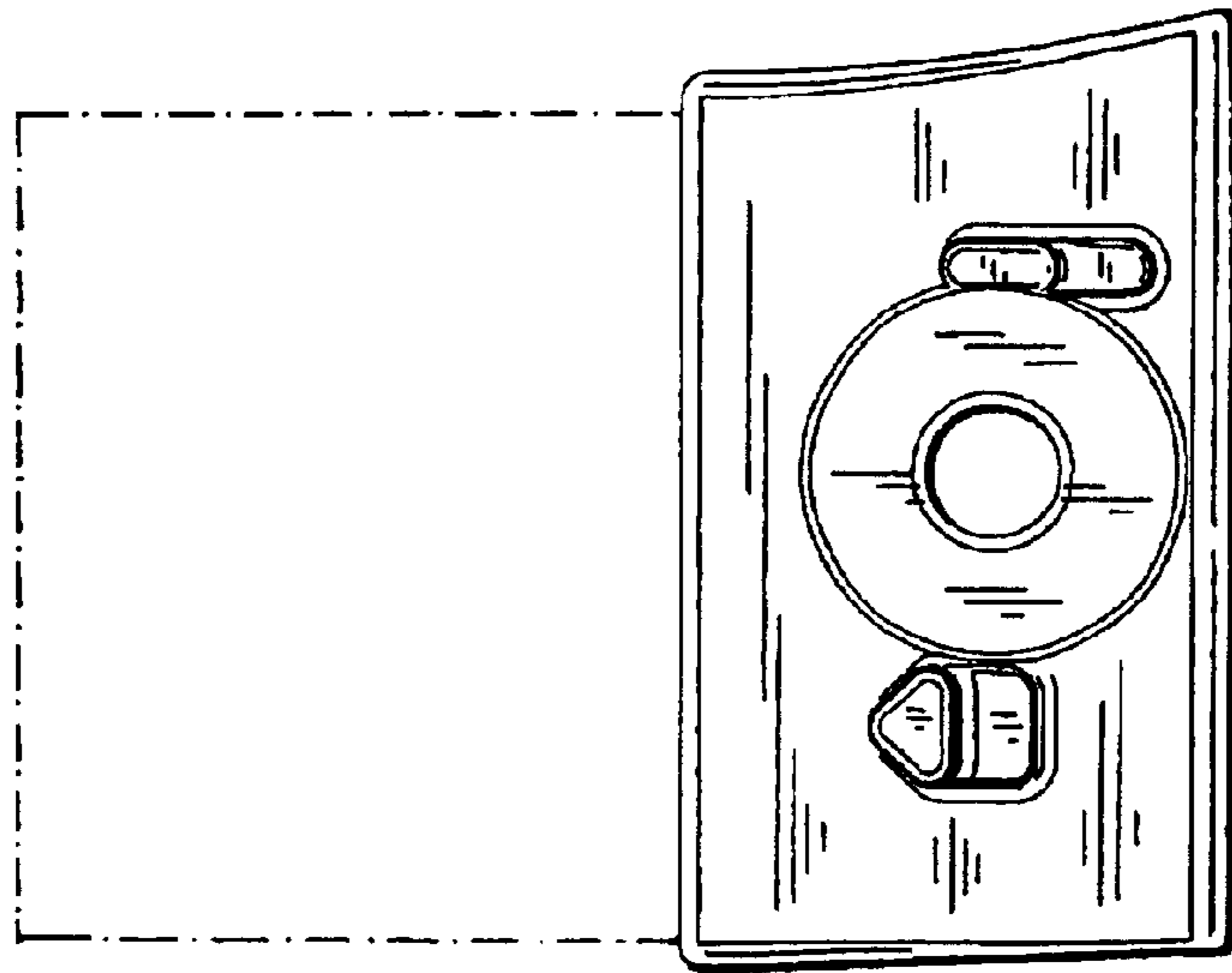


FIG. 4

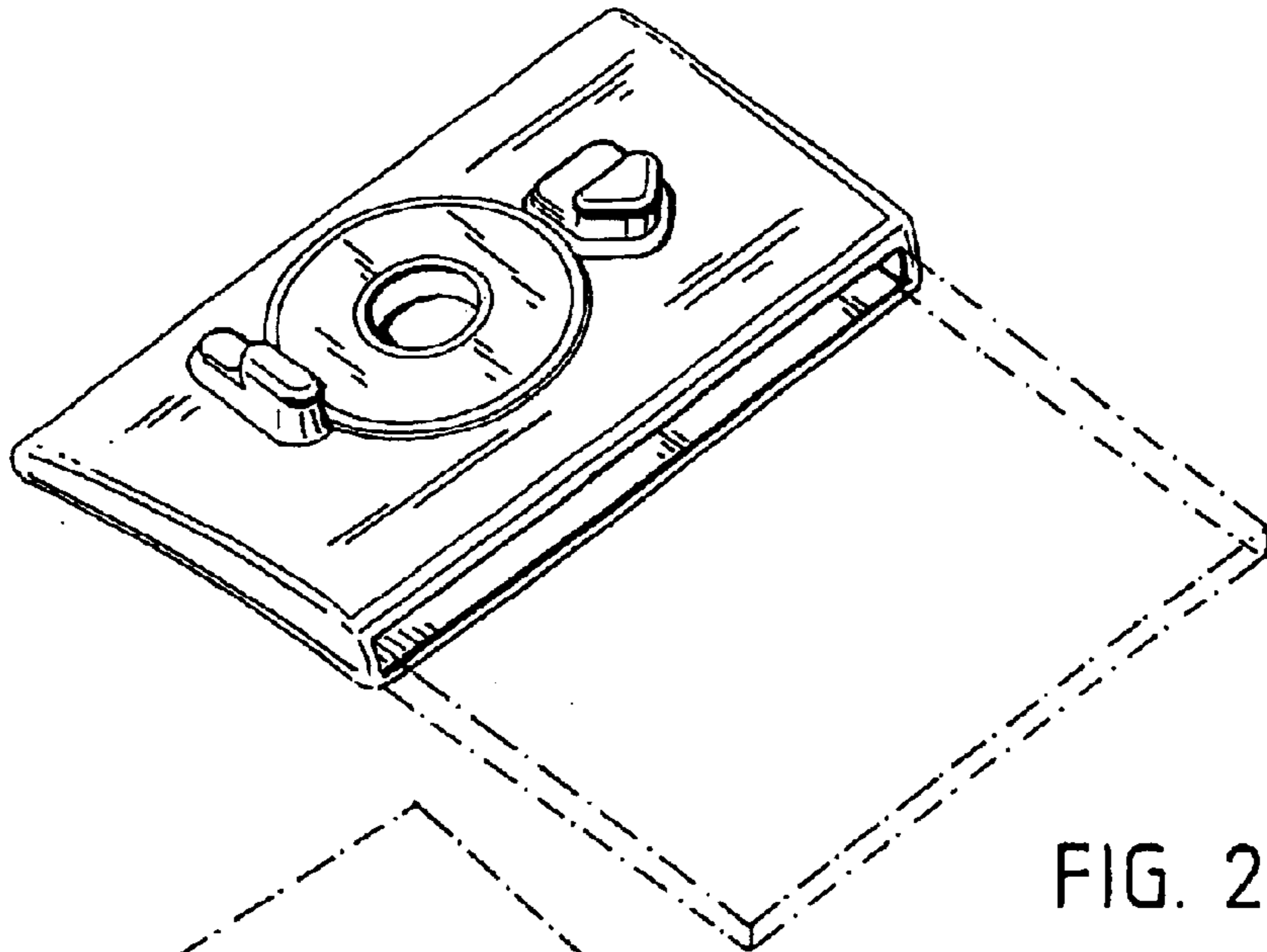


FIG. 2

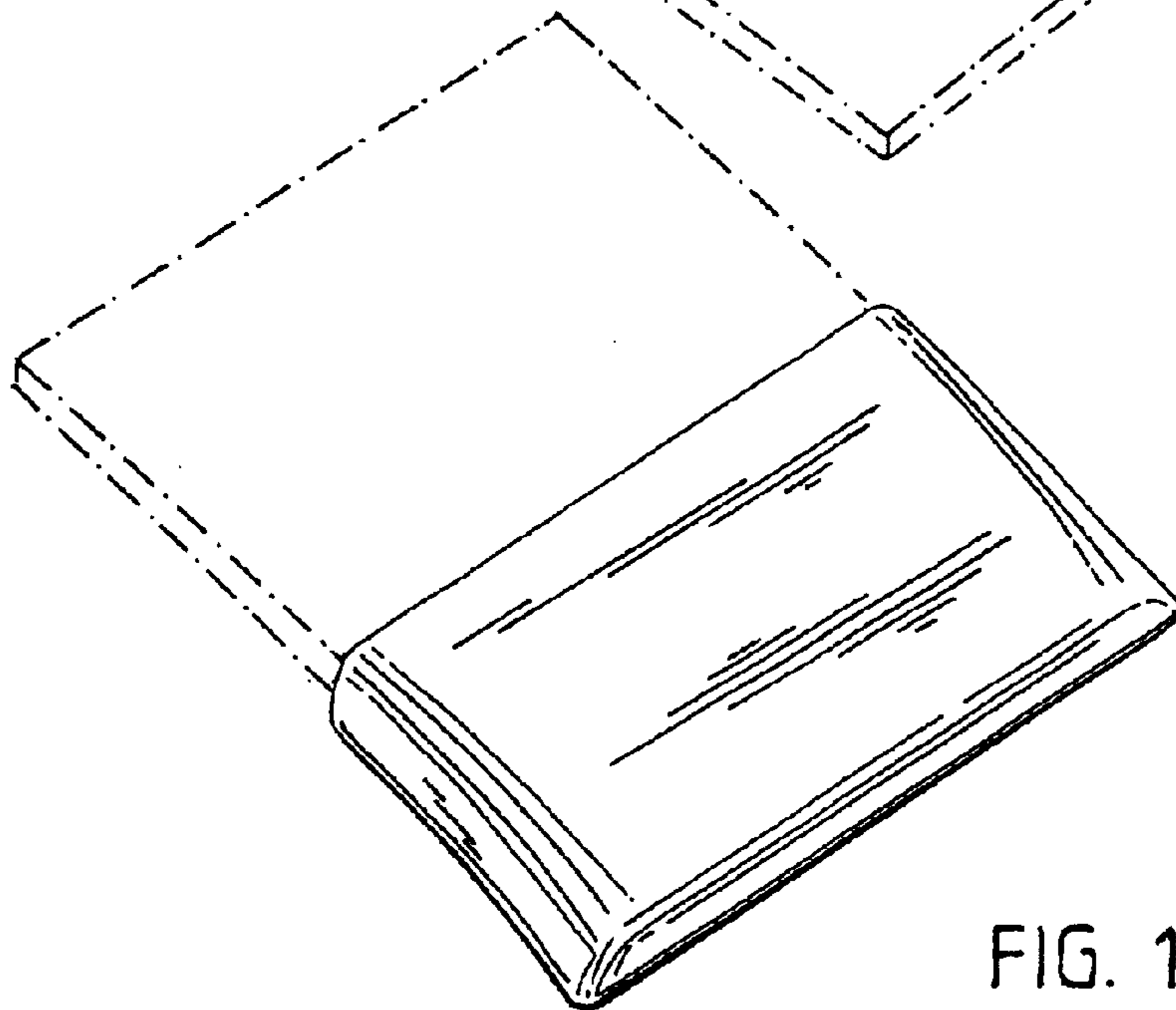


FIG. 1

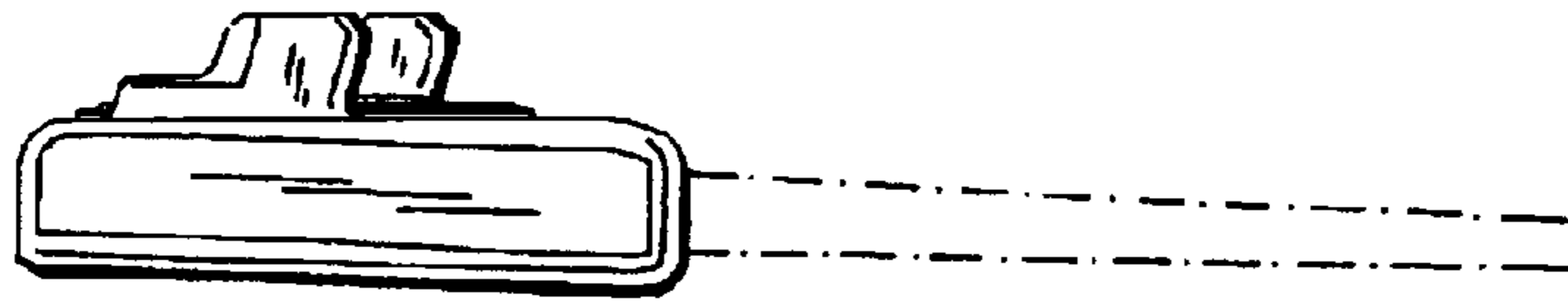


FIG. 5



FIG. 7

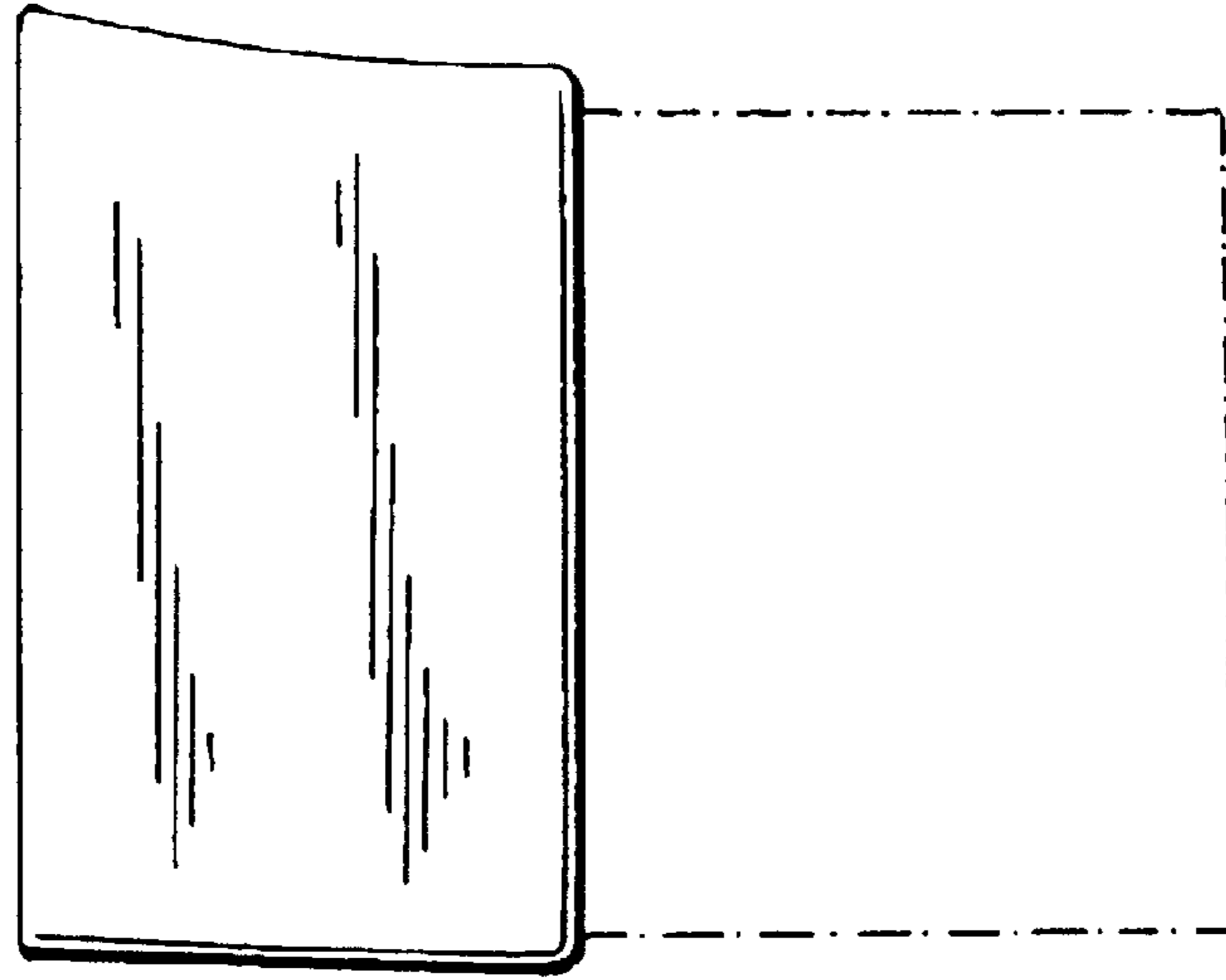


FIG. 3



FIG. 8



FIG. 6