

US00D492783S1

(12) **United States Design Patent**  
**Lax**

(10) **Patent No.:** **US D492,783 S**  
(45) **Date of Patent:** **\*\* Jul. 6, 2004**

(54) **COMBINED TRANSMITTER AND CLIPS  
FOR STRAP FOR HEART RATE MONITOR**

2002/0038094 A1 \* 3/2002 Gorman ..... 600/520  
2003/0176798 A1 \* 9/2003 Simon ..... 600/509

(75) Inventor: **Asko Lax**, Kivimiemi (FI)

\* cited by examiner

(73) Assignee: **Polar Electro Oy**, Kempele (FI)

*Primary Examiner*—Stella Reid

(\*\*) Term: **14 Years**

(74) *Attorney, Agent, or Firm*—Hoffmann & Baron, LLP

(21) Appl. No.: **29/186,863**

(57) **CLAIM**

(22) Filed: **Jul. 23, 2003**

The ornamental design for a combined transmitter and clips for strap for heart rate monitor, as shown and described.

(30) **Foreign Application Priority Data**

**DESCRIPTION**

Jan. 29, 2003 (FI) ..... M20030023

FIG. 1 is a perspective top view of a combined transmitter and clips for strap for heart rate monitor showing my new design;

(51) **LOC (7) Cl.** ..... **24-01**

FIG. 2 is a perspective bottom view thereof;

(52) **U.S. Cl.** ..... **D24/167**

FIG. 3 is a top view thereof;

(58) **Field of Search** ..... D24/167; 600/481,

FIG. 4 is a bottom view thereof;

600/483, 485, 502, 503, 508, 509

FIG. 5 is a front view thereof;

(56) **References Cited**

FIG. 6 is a back view thereof; and,

**U.S. PATENT DOCUMENTS**

FIG. 7 is a side view thereof, the opposite side view being a mirror image thereof.

4,596,256 A \* 6/1986 Ascher et al. .... 600/523

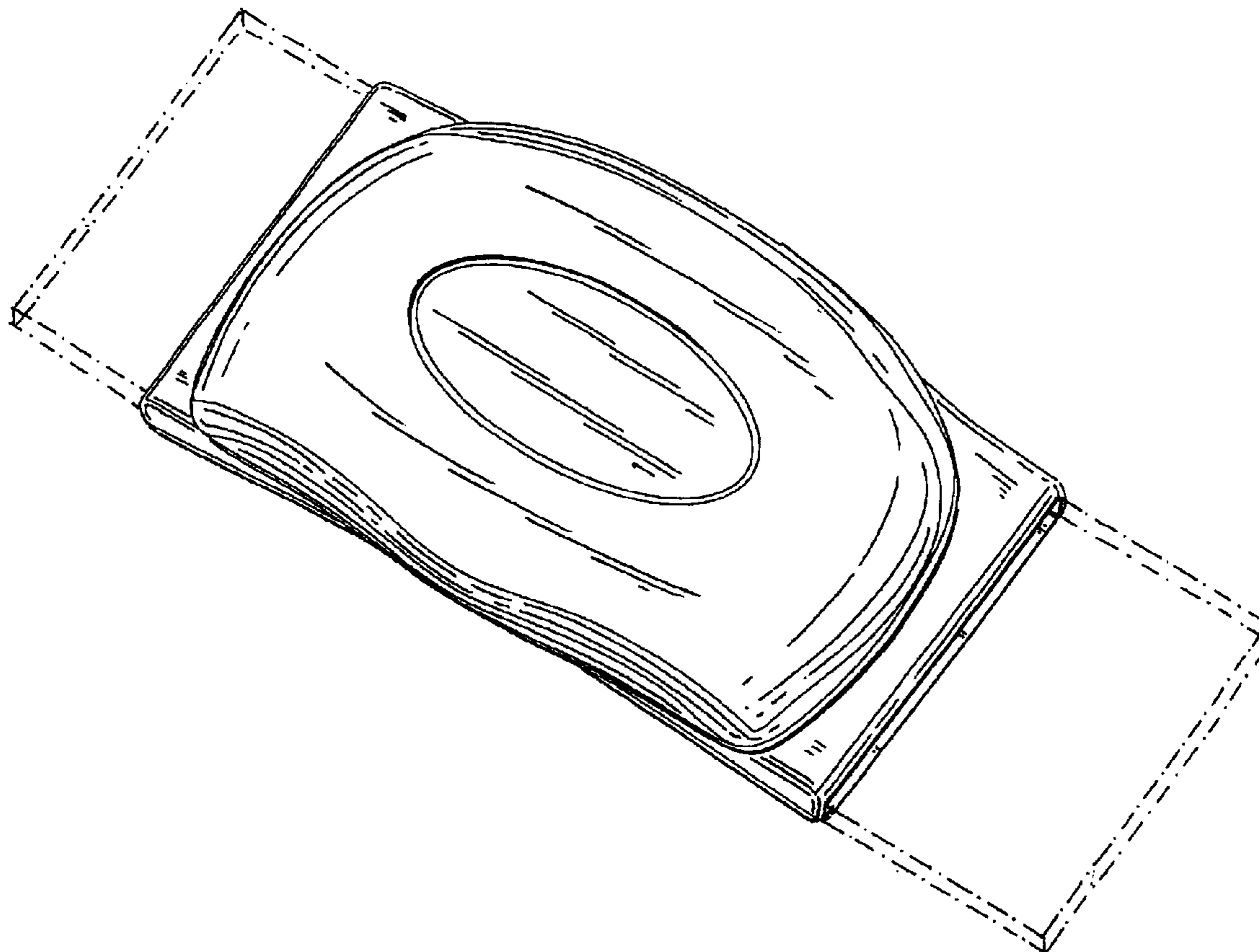
D341,659 S \* 11/1993 Homayoun et al. .... D24/167

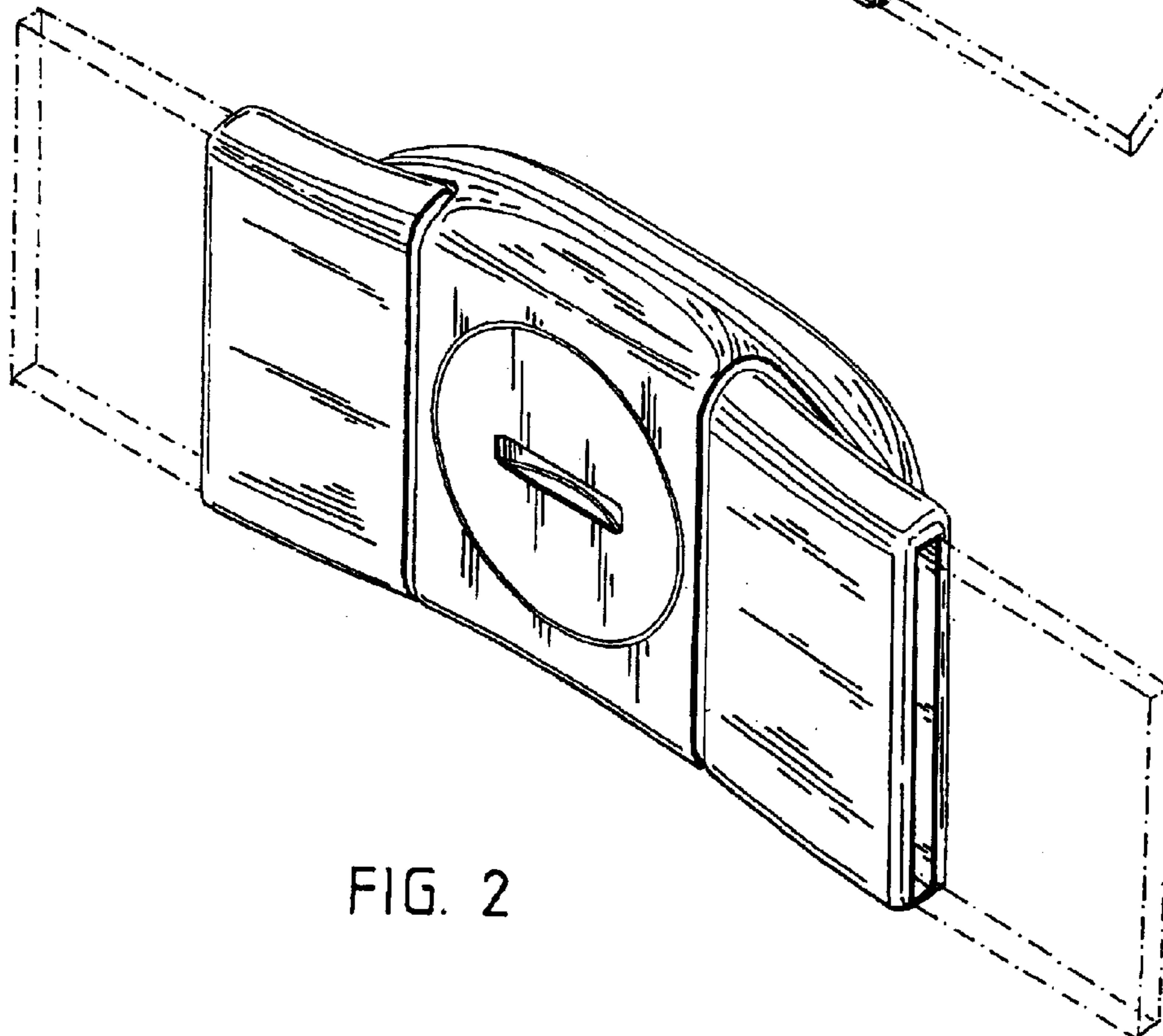
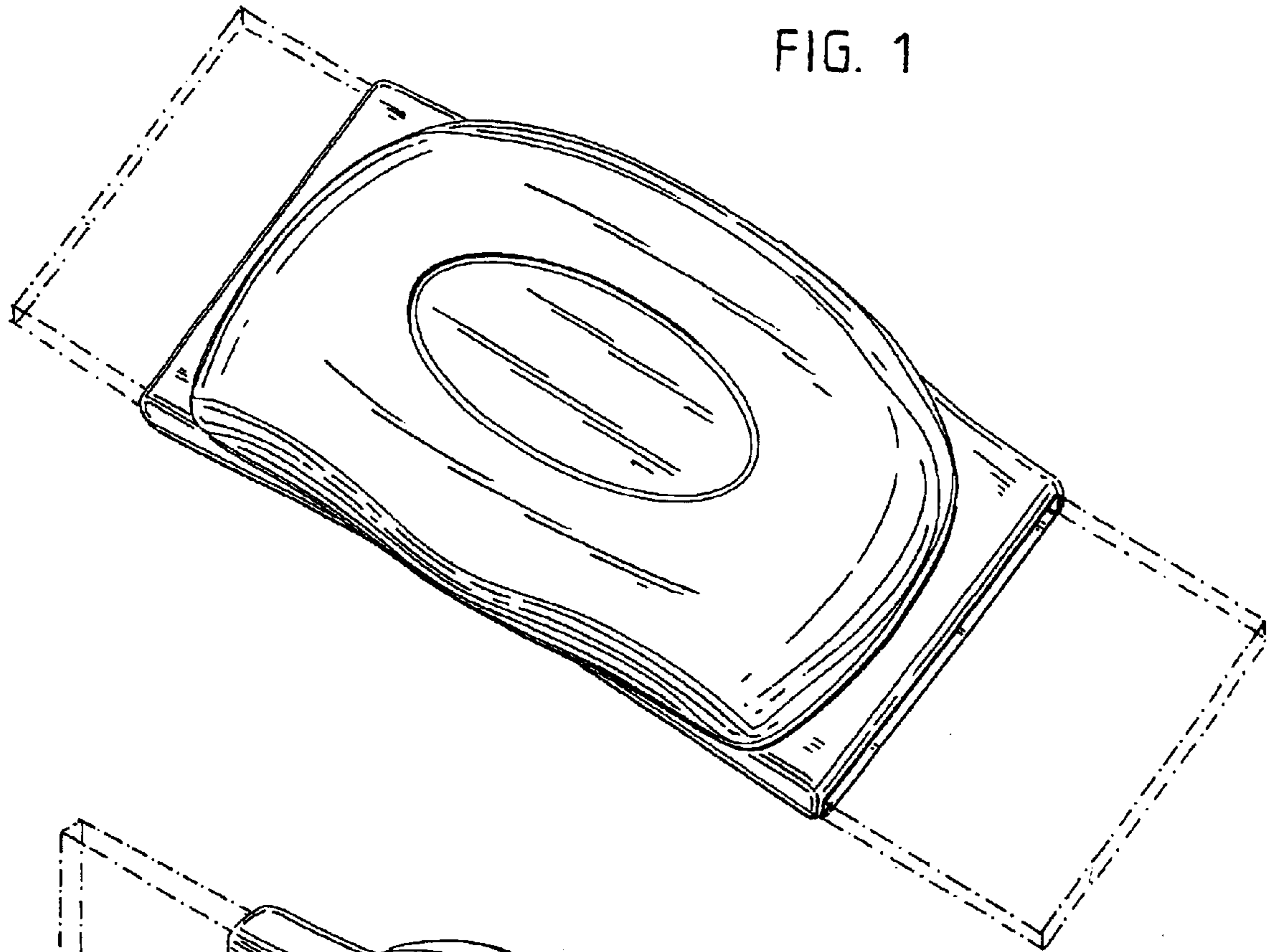
D429,336 S \* 8/2000 Francis et al. .... D24/167

2002/0024450 A1 \* 2/2002 Townsend et al. .... 340/870.16

The portions shown in broken lines are for illustrative purposes only and form no part of the claimed design.

**1 Claim, 2 Drawing Sheets**





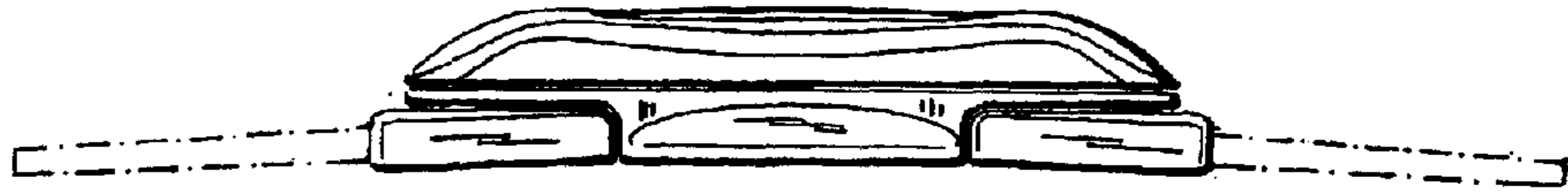


FIG. 5



FIG. 7

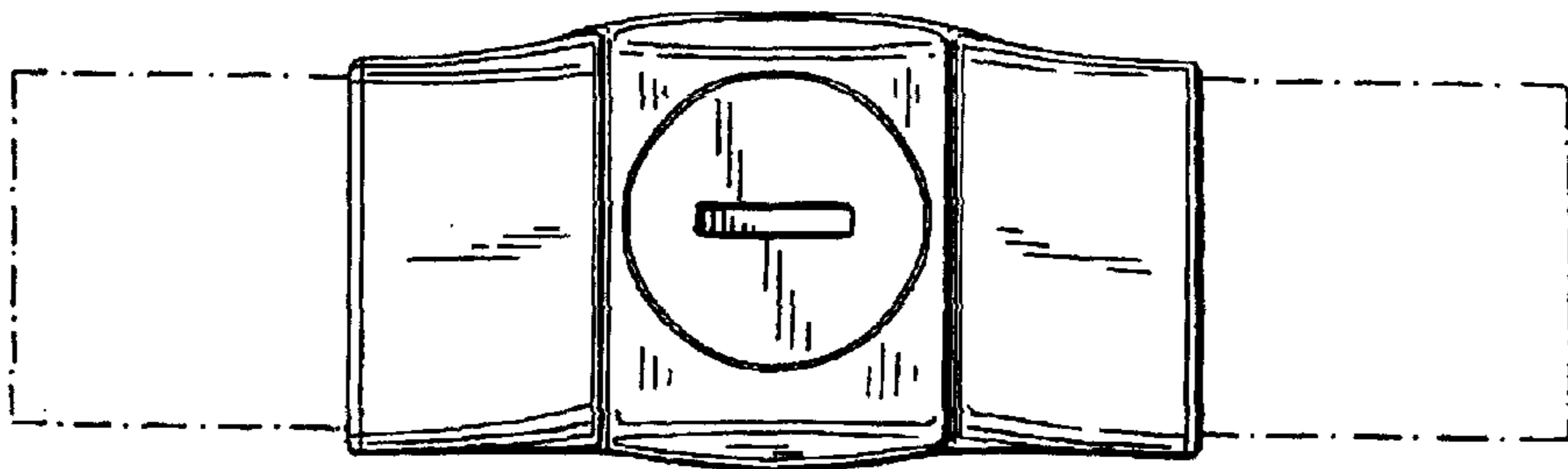


FIG. 4

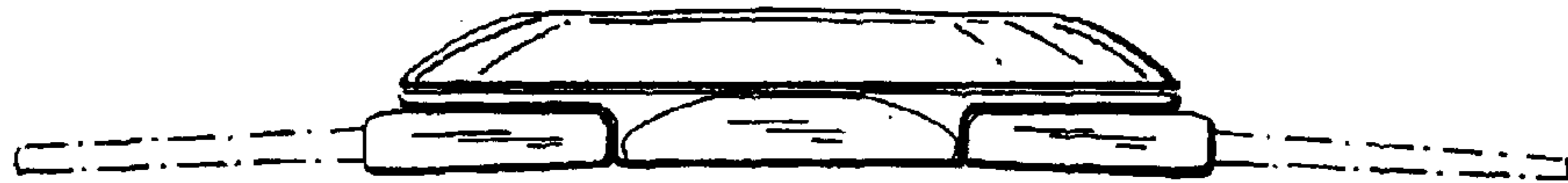


FIG. 6

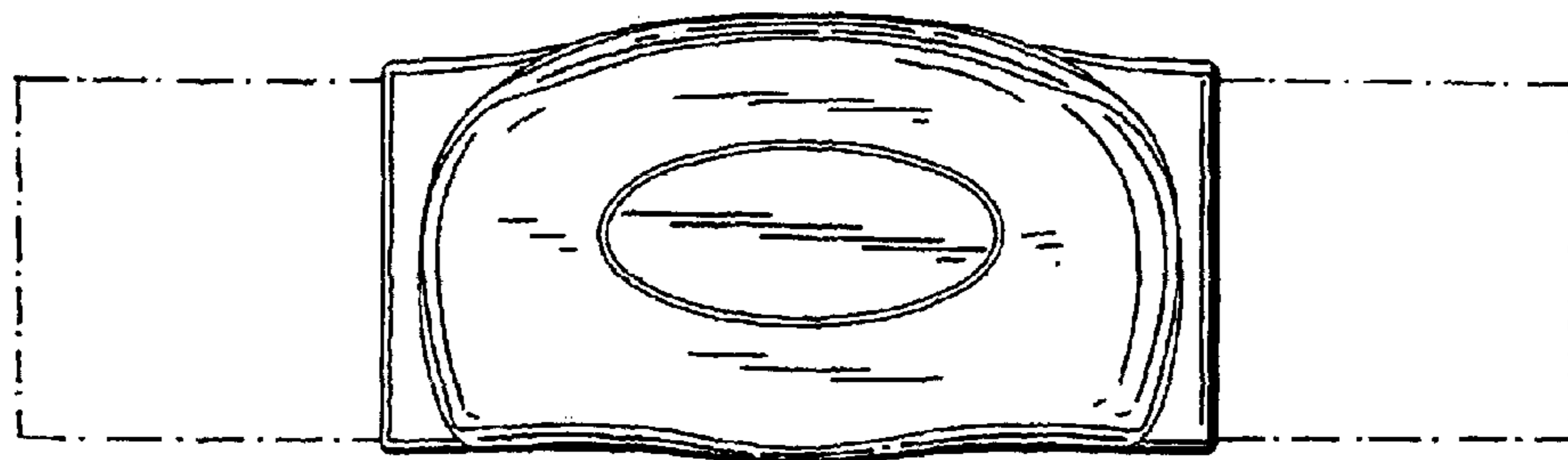


FIG. 3