

US00D492777S1

(12) **United States Design Patent**
Propp et al.

(10) **Patent No.: US D492,777 S**
(45) **Date of Patent: ** Jul. 6, 2004**

(54) **SURGICAL INSTRUMENT BOX HINGE**

(57) **CLAIM**

(75) Inventors: **Donald J. Propp**, Dewitt, MI (US);
Gary A. Gillis, Ann Arbor, MI (US)

The ornamental design for a surgical instrument box hinge,
as shown and described.

(73) Assignee: **Tri-State Hospital Supply Corporation**, Howell, MI (US)

DESCRIPTION

(**) Term: **14 Years**

FIG. 1 is a perspective view of a surgical needle holder indicating a box hinge showing our new design, the handle and tip portions of the surgical instrument are shown in broken line for illustrative purposes only and form no part of the claimed invention;

(21) Appl. No.: **29/161,769**

FIG. 2 is a top plan view thereof, the opposite side being a mirror image;

(22) Filed: **Jun. 3, 2002**

FIG. 3 is a side view thereof;

(51) **LOC (7) Cl. 24-02**

FIG. 4 is an end view thereof wherein the handle and tip portions are spaced;

(52) **U.S. Cl. D24/143; D24/133; D24/148**

FIG. 5 is a side view of the side opposite that of the side shown in FIG. 3 thereof;

(58) **Field of Search D24/143, 133, D24/149, 153, 148; D8/52, 57, 58, 54; 606/208, 205, 147, 151, 207, 1**

(56) **References Cited**

U.S. PATENT DOCUMENTS

2,597,394 A *	5/1952	Snowden	D24/143
3,459,187 A *	8/1969	Pallotta	606/208
3,763,726 A *	10/1973	Hildebrand	81/416
3,952,749 A *	4/1976	Fridolph et al.	606/208
5,514,147 A *	5/1996	Hoskin et al.	606/151
2003/0181944 A1 *	9/2003	Propp et al.	606/205

FIG. 6 is a perspective view of a surgical forceps including a box hinge showing another embodiment of our new design, the handle and tip portions of the surgical instrument being shown in broken line for illustrative purposes only and forming no part of the claimed invention;

FIG. 7 is a top plan view thereof, the opposite side of the box hinge being a mirror image;

FIG. 8 is a side view thereof;

FIG. 9 is an end view thereof wherein the handle and tip portions are spaced; and,

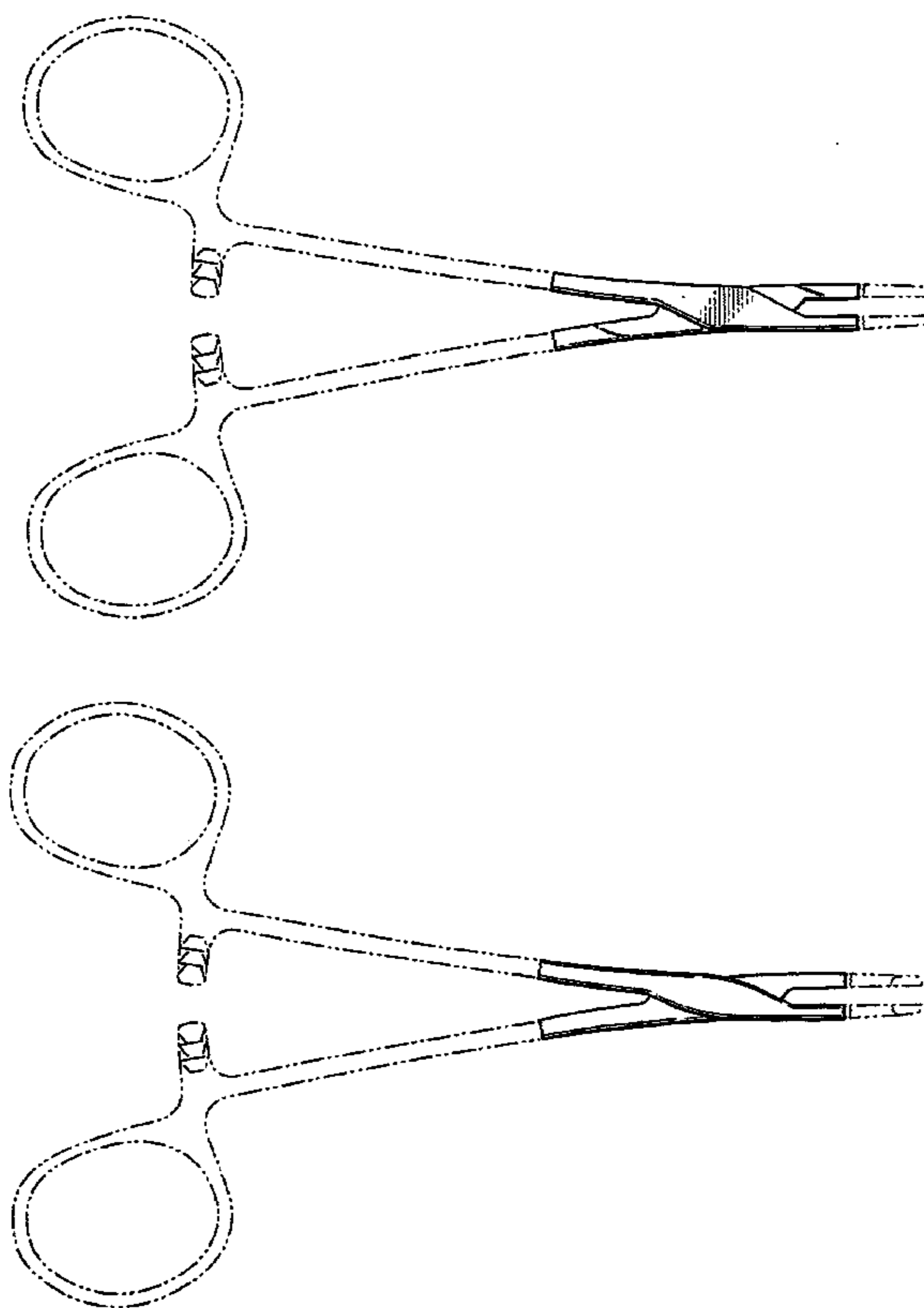
FIG. 10 is a side view of the side opposite that of the side shown in FIG. 8 thereof.

* cited by examiner

Primary Examiner—Ian Simmons

(74) *Attorney, Agent, or Firm*—Fildes & Outland, P.C.

1 Claim, 4 Drawing Sheets



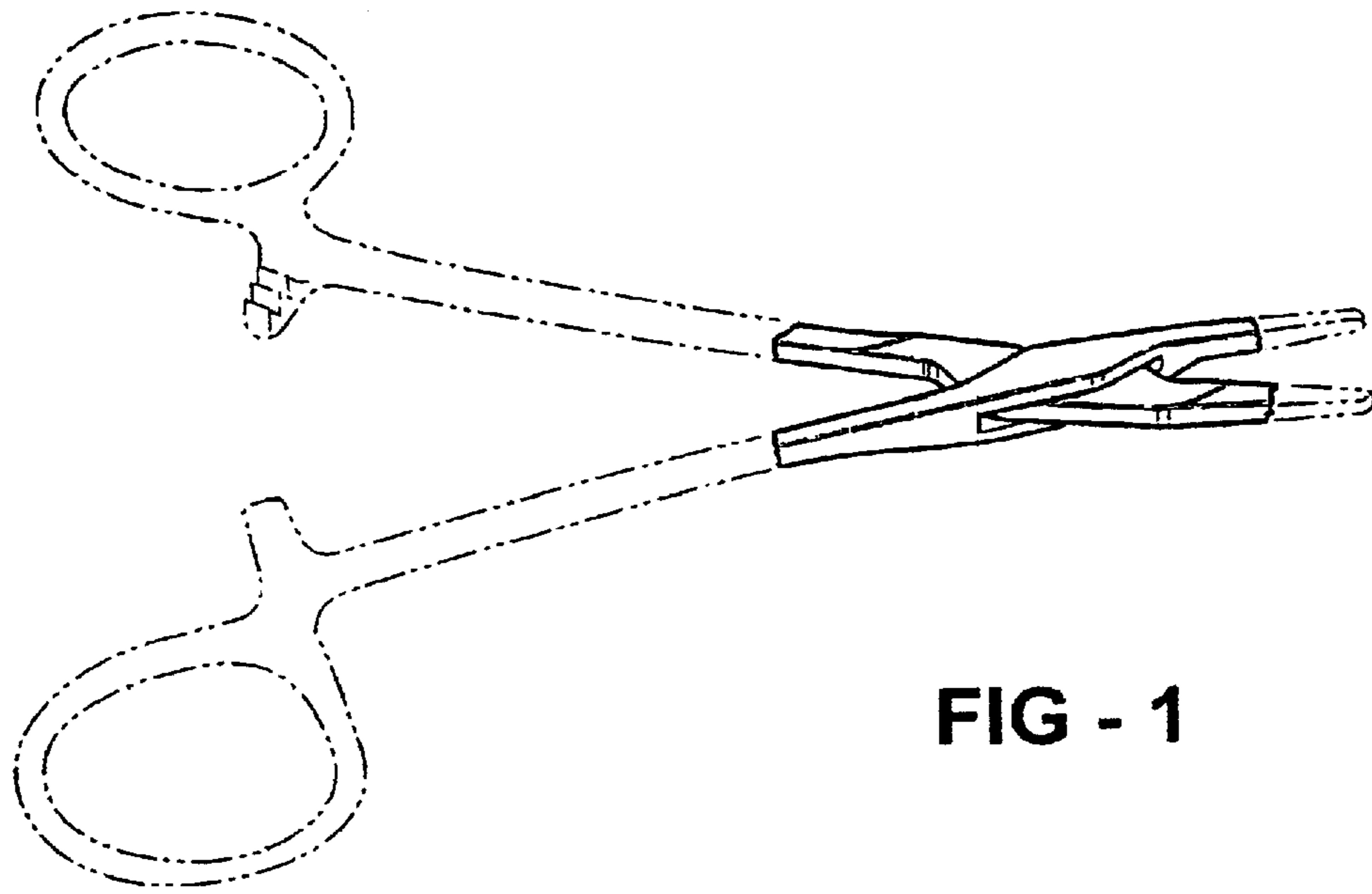


FIG - 1

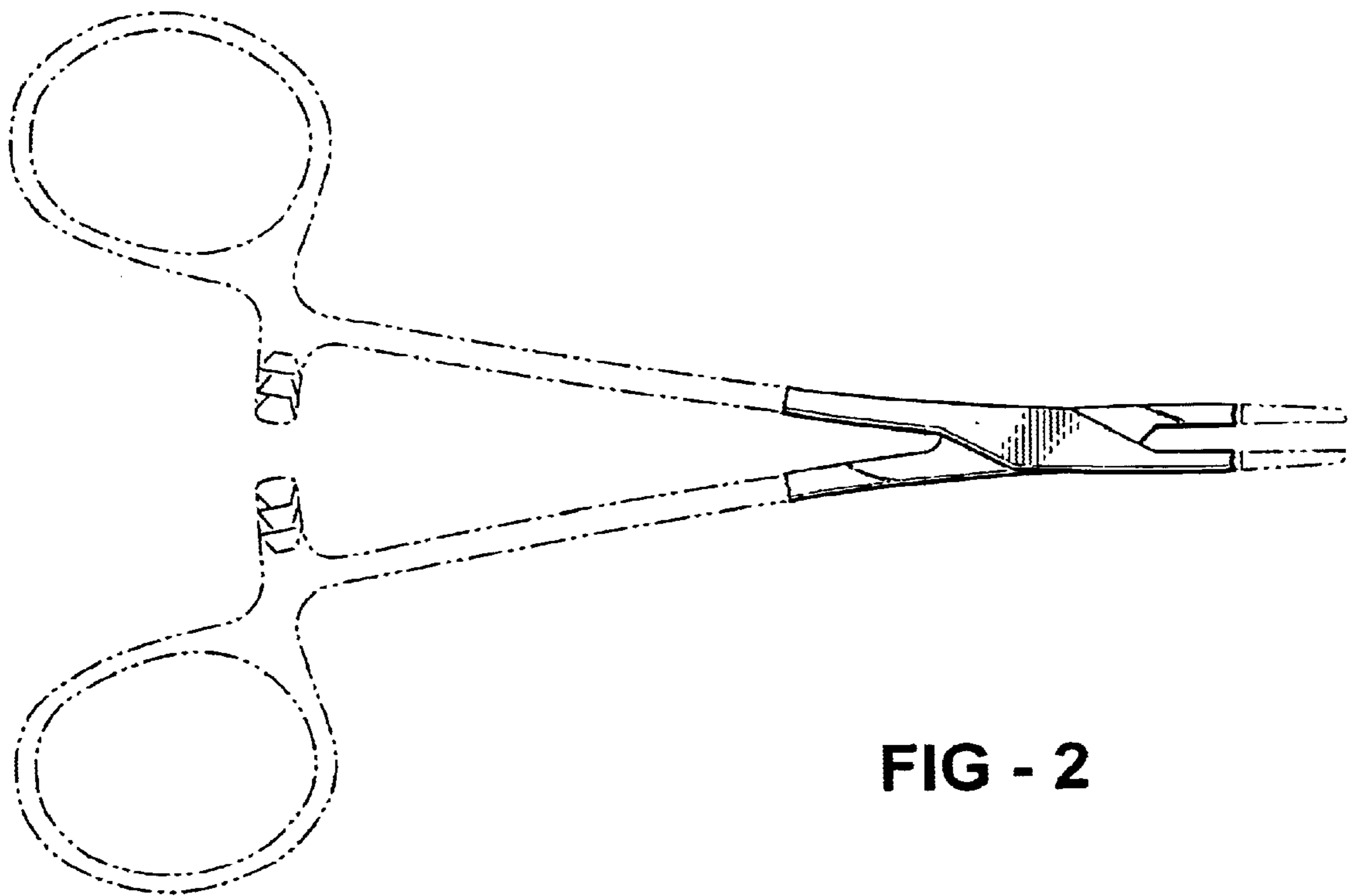


FIG - 2

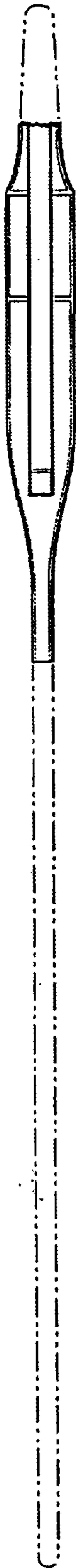


FIG - 3



FIG - 4

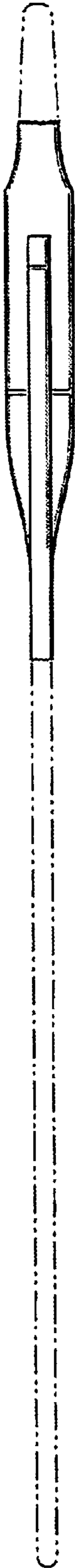


FIG - 5

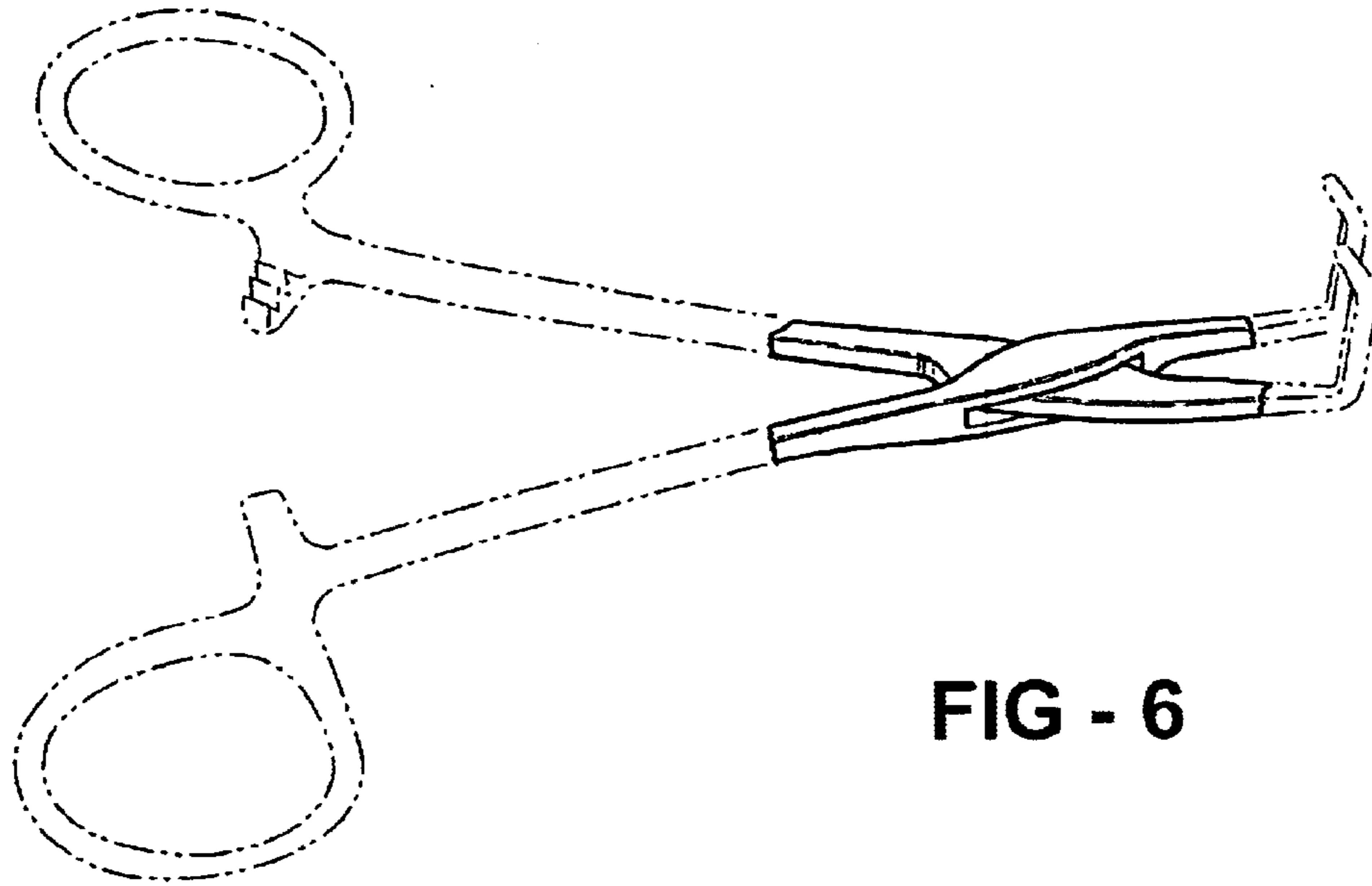


FIG - 6

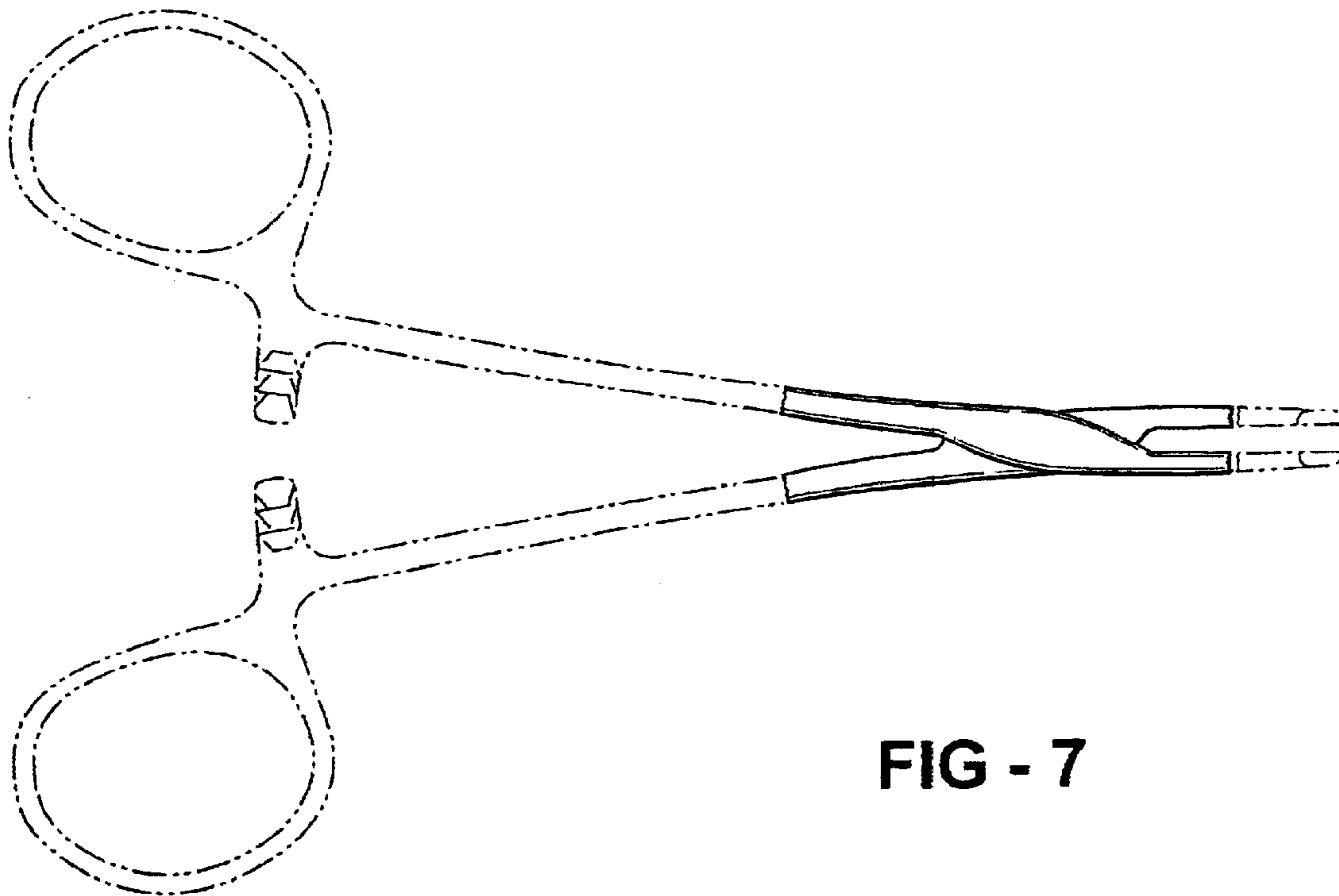


FIG - 7

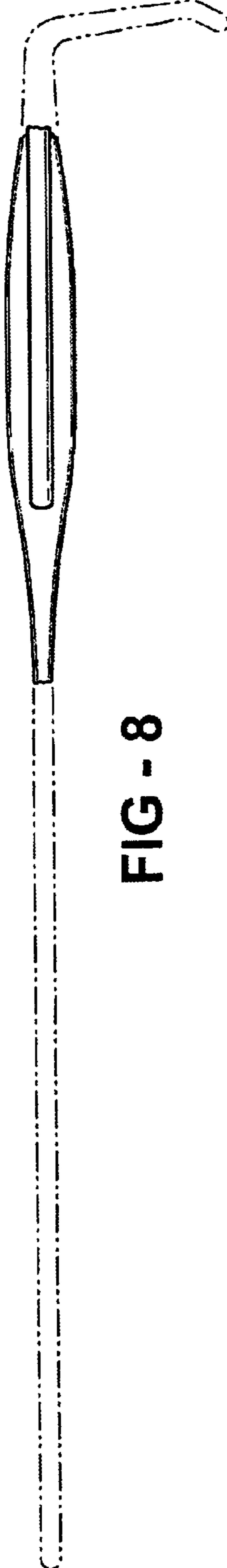


FIG - 8

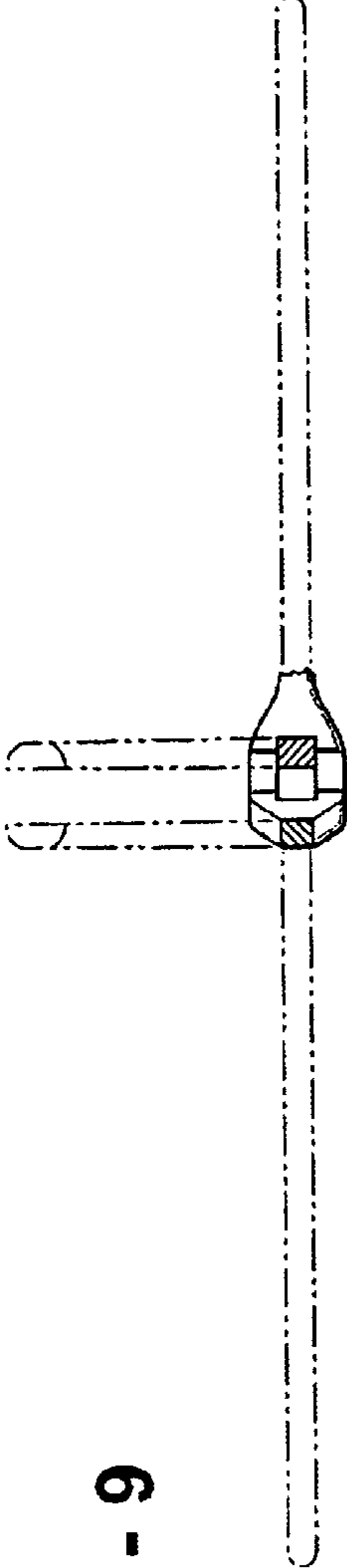


FIG - 9

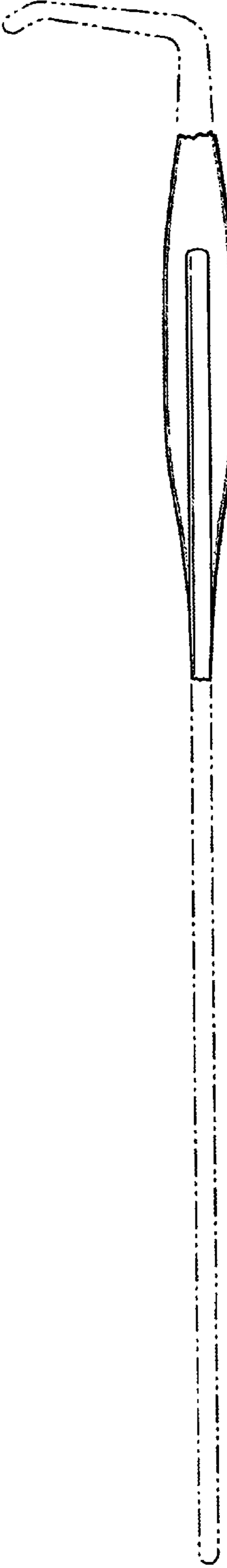


FIG - 10



US00D492777C1

(12) **EX PARTE REEXAMINATION CERTIFICATE (7937th)**
United States Patent
Propp et al.

(10) **Number: US D492,777 C1**
(45) **Certificate Issued: Dec. 14, 2010**

(54) **SURGICAL INSTRUMENT BOX HINGE**

(75) Inventors: **Donald J. Propp**, Dewitt, MI (US);
Gary A. Gillis, Ann Arbor, MI (US)

(73) Assignee: **Centurion Medical Products Corporation**, Williamston, MI (US)

Reexamination Request:

No. 90/009,639, Jan. 21, 2010

Reexamination Certificate for:

Patent No.: **Des. 492,777**
Issued: **Jul. 6, 2004**
Appl. No.: **29/161,769**
Filed: **Jun. 3, 2002**

(51) **LOC (9) Cl. 24-02**

(52) **U.S. Cl. D24/143; D24/133; D24/148**

(58) **Field of Classification Search** D24/133,
D24/134, 135, 136, 137, 138, 139, 140, 141,
D24/142, 143, 146, 150, 152, 144, 145, 147,
D24/148, 149, 151, 153, 154, 127, 128, 129,
D24/130, 107-108, 112, 11, 200; D8/40,
D8/47, 57, 60, 67, 68, 69, 80, 82, 83, 84,
D8/93, 94, 97, 107, 72, 73, 74, 52, 56, 58,
D8/54; 606/208, 205, 147, 151, 207, 1
See application file for complete search history.

(56) **References Cited**

U.S. PATENT DOCUMENTS

3,209,753 A * 10/1965 Hawkins et al. 606/207
D206,311 S * 11/1966 Eizenberg D24/143

3,344,649 A * 10/1967 Wood 72/392
D209,889 S * 1/1968 Shannon et al. D24/143
3,404,683 A * 10/1968 Eizenberg 606/207
3,503,398 A 3/1970 Fogarty et al.
3,654,930 A 4/1972 Hobbs, II
3,763,726 A 10/1973 Hildebrand
D229,724 S * 12/1973 Ericson D24/143
3,786,815 A * 1/1974 Ericson 606/207
D231,034 S * 3/1974 Moore D24/143
3,921,640 A * 11/1975 Freeborn 606/158
D246,190 S * 10/1977 Hodge D24/143
D249,117 S * 8/1978 Backstrom D8/57
D265,683 S * 8/1982 Drummond et al. D24/143
4,409,968 A * 10/1983 Drummond 606/86 A
D289,683 S * 5/1987 Gilfillan D24/143
5,036,733 A 8/1991 Tiholiz et al.
D321,055 S * 10/1991 Carchidi D24/152
D327,124 S * 6/1992 Heaton D24/143
5,431,662 A * 7/1995 Nicholas 606/119
D363,122 S * 10/1995 Uetake D24/143
5,667,526 A * 9/1997 Levin 606/207
D390,954 S * 2/1998 Kumar et al. D24/143
D397,218 S * 8/1998 Cadaver D24/143
6,036,692 A * 3/2000 Burel et al. 606/86 A
D492,777 S * 7/2004 Propp et al. D24/143
7,351,248 B2 4/2008 Propp et al.

FOREIGN PATENT DOCUMENTS

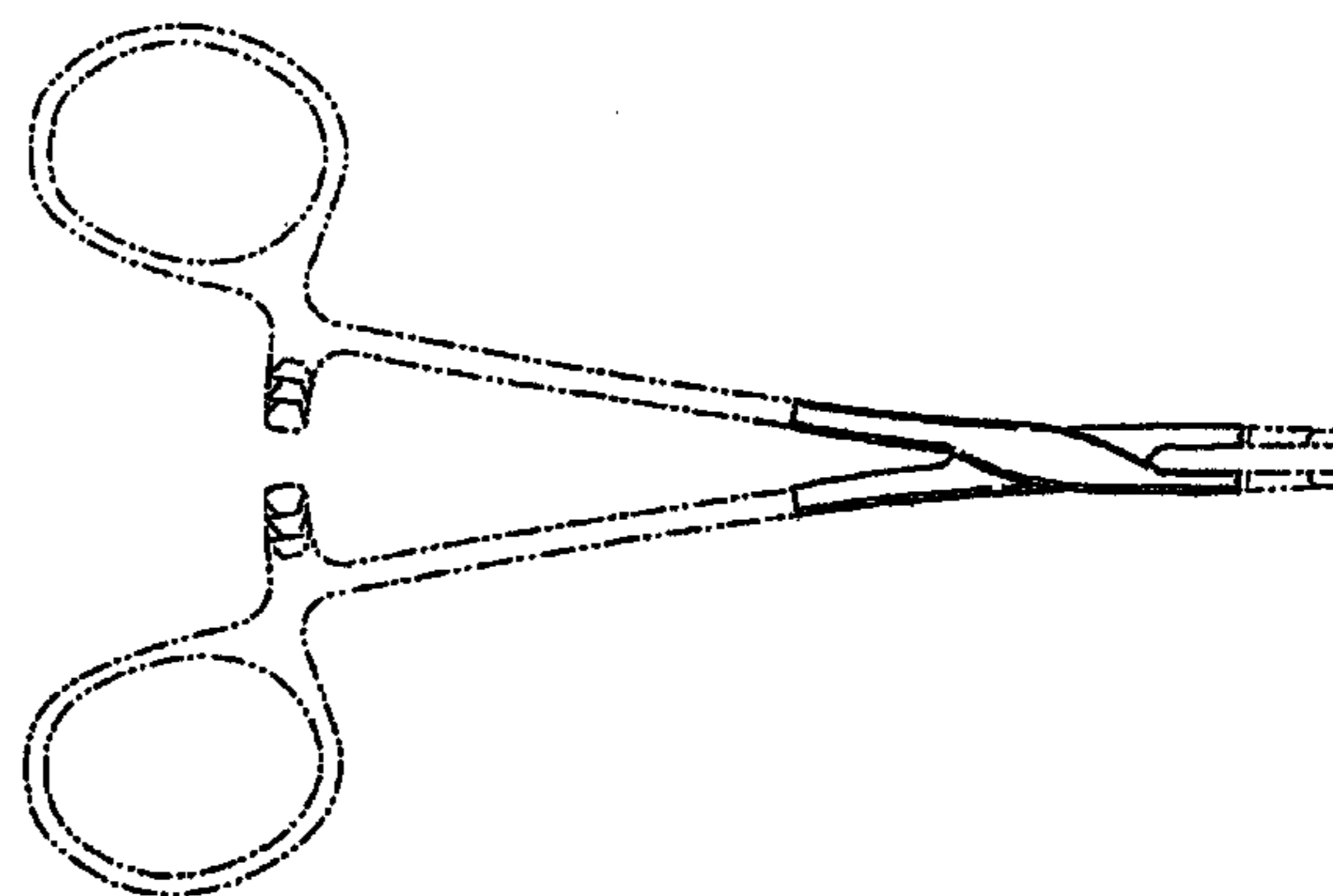
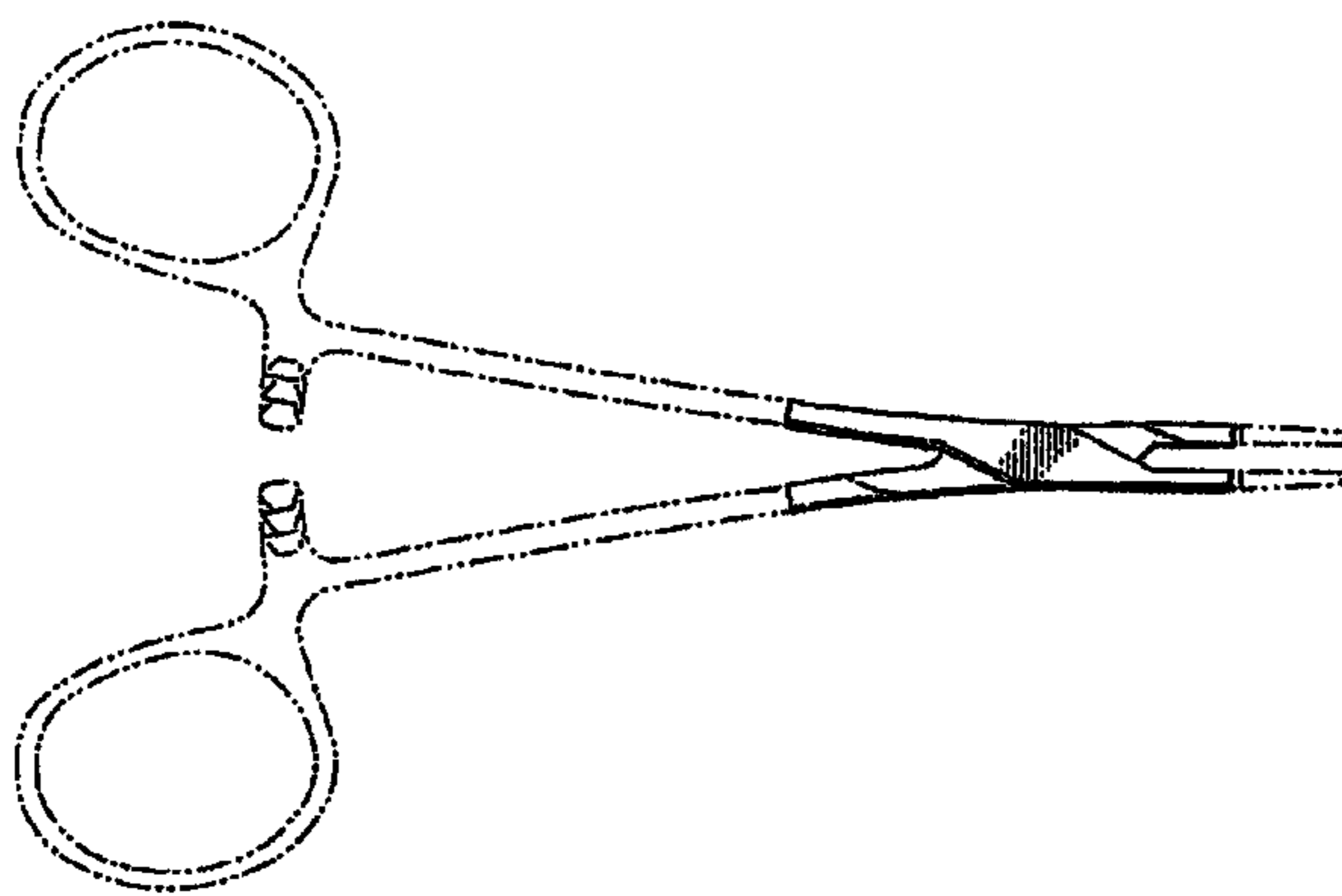
DE 23 64 287 A1 6/1975

OTHER PUBLICATIONS

“Aesculap General Catalogue” Sep. 1998 Edition (p. 292).

* cited by examiner

Primary Examiner—Bridget L Eland



**EX PARTE
REEXAMINATION CERTIFICATE
ISSUED UNDER 35 U.S.C. 307**

The sole claim is confirmed.

The ornamental design for a surgical instrument box hinge, as shown and described.

AS A RESULT OF REEXAMINATION, IT HAS BEEN
DETERMINED THAT:

* * * * *