

US00D492775S1

(12) **United States Design Patent**  
**Doelling et al.**

(10) **Patent No.:** **US D492,775 S**  
(45) **Date of Patent:** **\*\* Jul. 6, 2004**

(54) **IMPACT HANDLE FOR HAND HELD  
SURGICAL INSTRUMENTS**

4,651,833 A \* 3/1987 Karpf et al. .... 173/136  
6,010,508 A \* 1/2000 Bradley ..... 606/86  
6,468,279 B1 10/2002 Reo

(75) Inventors: **Eric N Doelling**, Sunnyvale, CA (US);  
**Alex Hsia**, San Jose, CA (US); **Peter H  
Muller**, Woodside, CA (US)

\* cited by examiner

*Primary Examiner*—Stella Reid

(73) Assignee: **Kyphon Inc.**, Sunnyvale, CA (US)

(74) *Attorney, Agent, or Firm*—Ryan Kromholz & Manion,  
S.C.

(\*\*) Term: **14 Years**

(57) **CLAIM**

(21) Appl. No.: **29/175,874**

The ornamental design of an impact handle for hand held  
surgical instruments, as shown and described.

(22) Filed: **Feb. 12, 2003**

**DESCRIPTION**

(51) **LOC (7) Cl.** ..... **24-02**

(52) **U.S. Cl.** ..... **D24/133**

(58) **Field of Search** ..... D24/133; 606/1,  
606/53, 79; 81/52, 177.1; D8/82, 83, 107,  
300

FIG. 1 is a perspective view of an impact handle for hand  
held surgical instruments showing my new design.

FIG. 2 is a front elevation view thereof, the back elevation  
view being a mirror image thereto.

FIG. 3 is a right side elevation view thereof, the left side  
elevation view being a mirror image thereto.

FIG. 4 is a bottom plan view thereof; and,

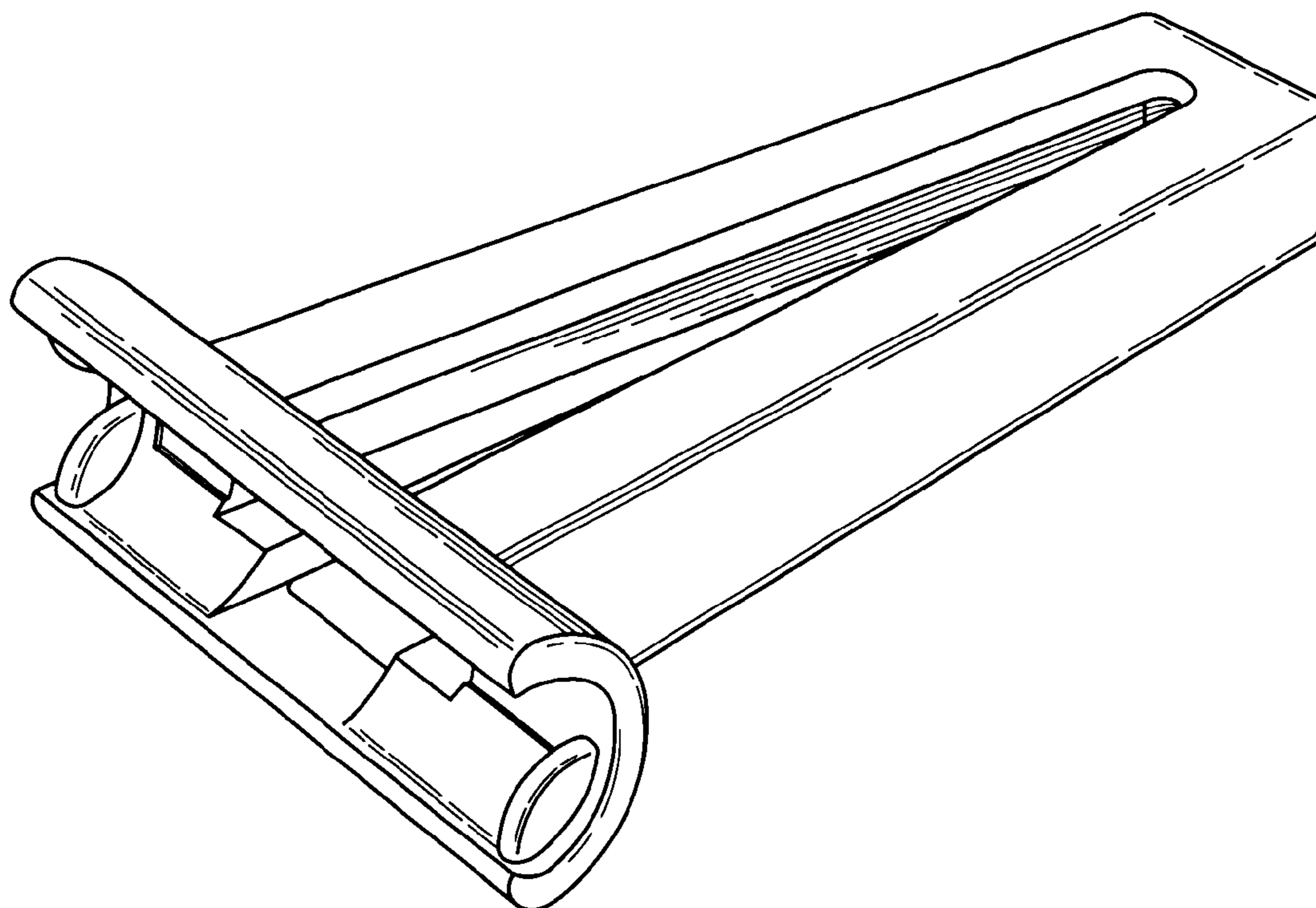
FIG. 5 is a top plan view thereof.

(56) **References Cited**

**U.S. PATENT DOCUMENTS**

4,016,873 A \* 4/1977 Anderson ..... 601/107

**1 Claim, 2 Drawing Sheets**



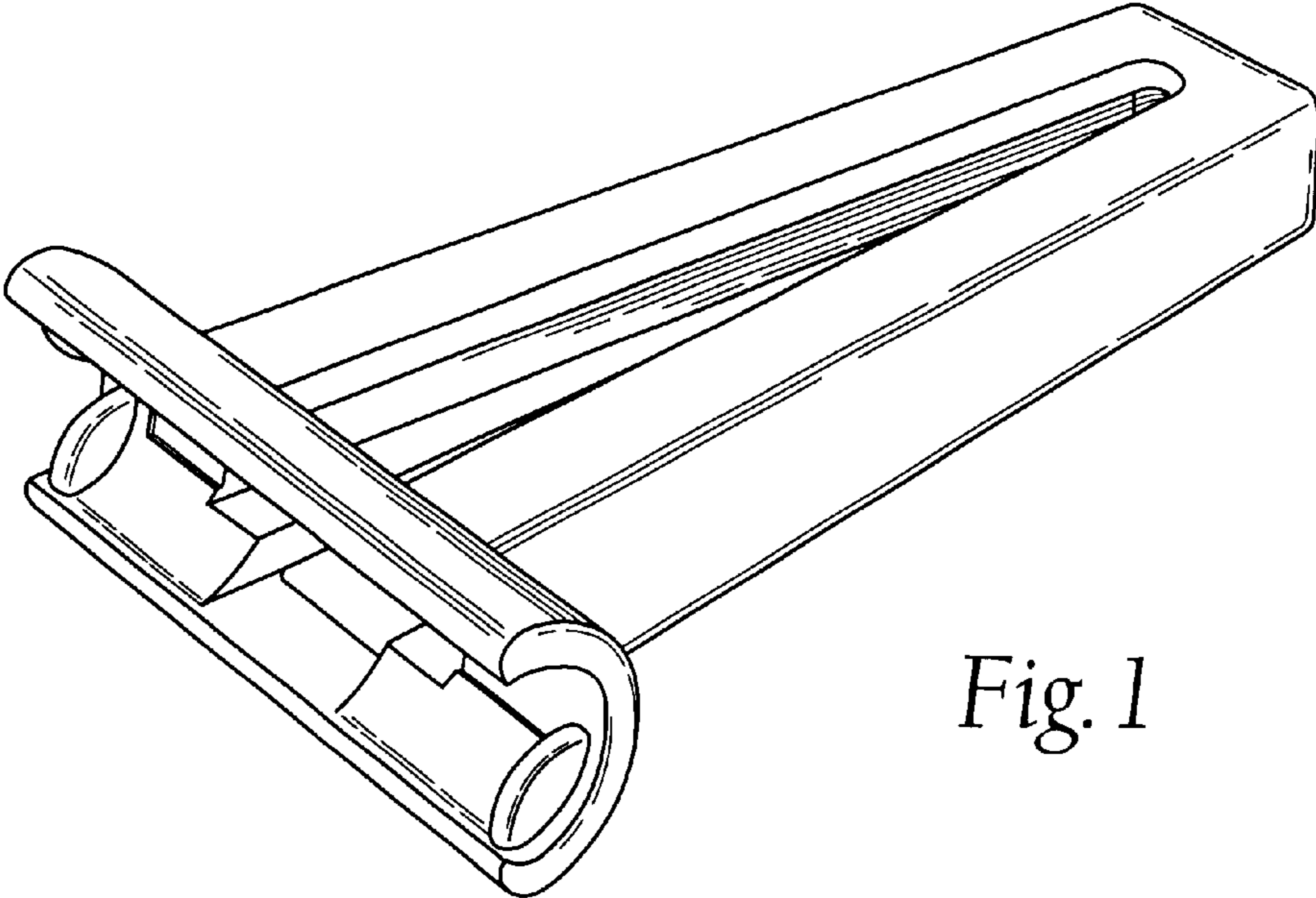


Fig. 1

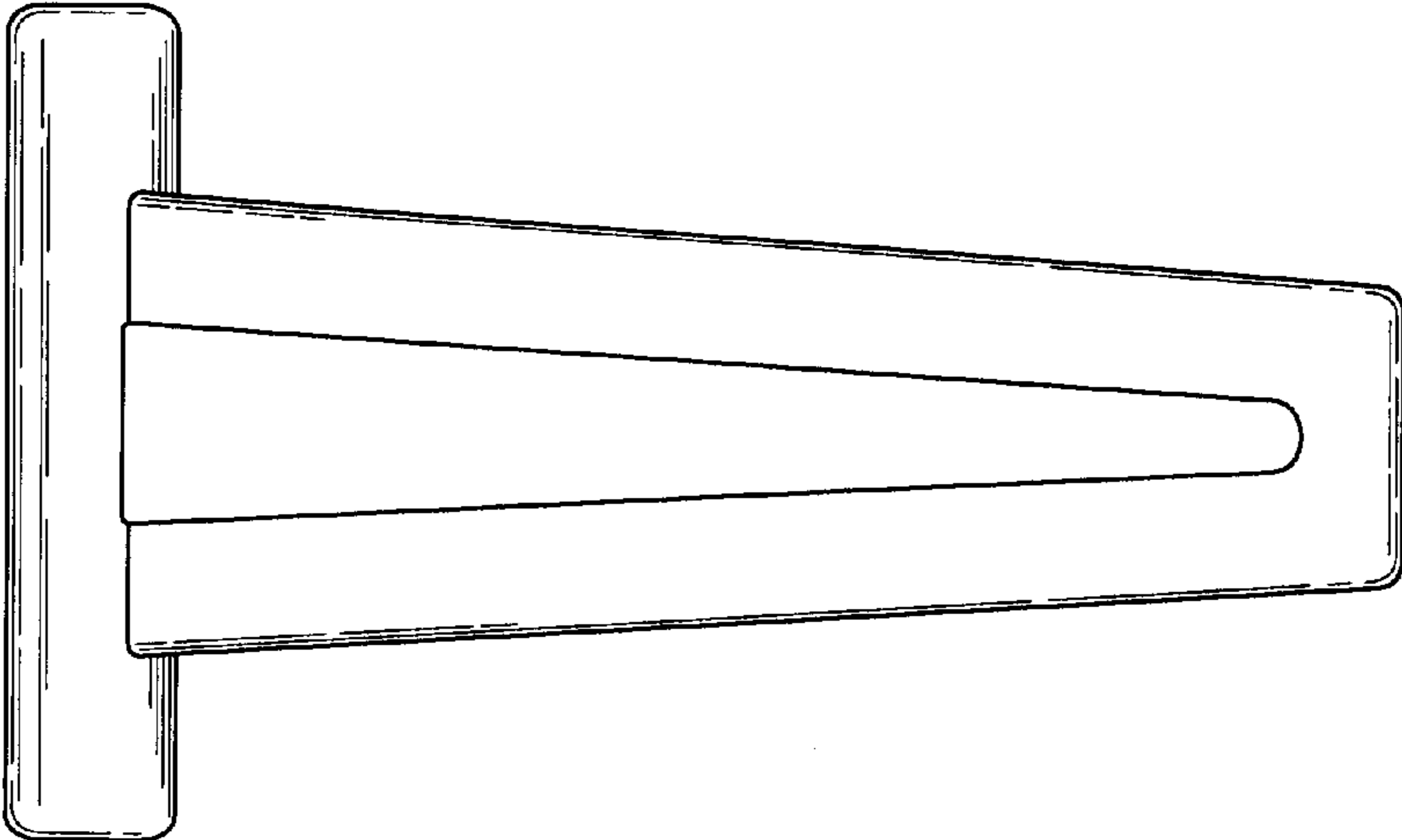
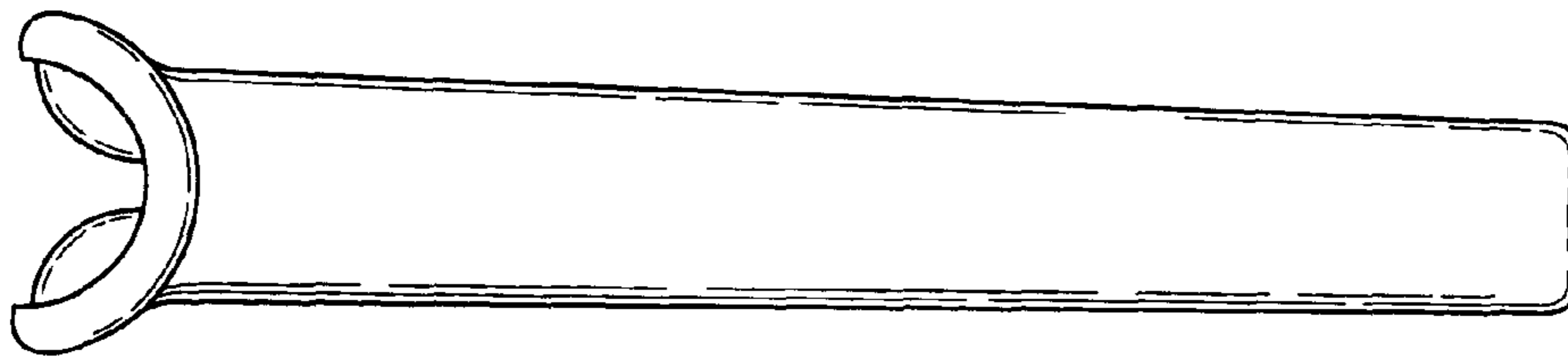
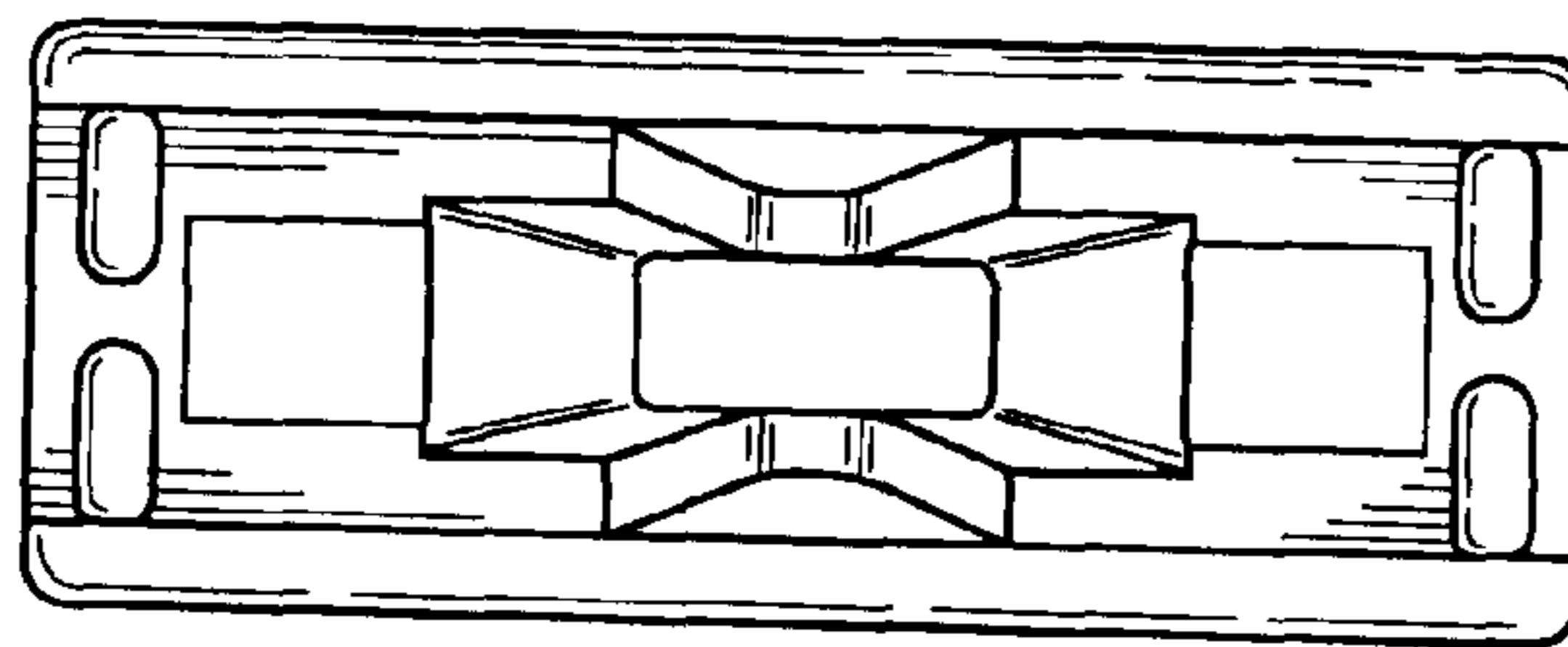


Fig. 2



*Fig. 3*

*Fig. 4*



*Fig. 5*

