

US00D492774S1

(12) **United States Design Patent**  
**Cindrich et al.**

(10) **Patent No.: US D492,774 S**

(45) **Date of Patent: \*\* \*Jul. 6, 2004**

(54) **INTRODUCER NEEDLE ASSEMBLY**

(75) Inventors: **Christopher Noel Cindrich**, South Jordan, UT (US); **Glade H. Howell**, Sandy, UT (US); **Weston F. Harding**, Lehi, UT (US)

(73) Assignee: **Becton Dickinson and Company**, Franklin Lakes, NJ (US)

(\*) Notice: This patent is subject to a terminal disclaimer.

(\*\*) Term: **14 Years**

(21) Appl. No.: **29/177,431**

(22) Filed: **Mar. 10, 2003**

(51) **LOC (7) Cl. .... 24-02**

(52) **U.S. Cl. .... D24/130**

(58) **Field of Search** ..... D24/130, 112, D24/145; 604/165.03, 165.04, 164.07, 164.01, 167.02, 177, 180, 179, 172, 174

(56) **References Cited**

**U.S. PATENT DOCUMENTS**

D378,405 S \* 3/1997 Musgrave et al. .... D24/112

D458,678 S \* 6/2002 Cindrich ..... D24/130  
D458,994 S \* 6/2002 Cindrich ..... D24/130  
2003/0065288 A1 \* 4/2003 Brimhall et al. .... 604/165.03

\* cited by examiner

*Primary Examiner*—Ian Simmons

(74) *Attorney, Agent, or Firm*—James J. Murtha

(57) **CLAIM**

The ornamental design for an introducer needle assembly, as shown and described.

**DESCRIPTION**

FIG. 1 is a perspective view of an introducer needle assembly showing my design;

FIG. 2 is a rear perspective view of the assembly of FIG. 1;

FIG. 3 is a front elevational view of the assembly of FIG. 1;

FIG. 4 is a rear elevational view of the assembly of FIG. 1;

FIG. 5 is a top plan view of the assembly of FIG. 1;

FIG. 6 is a right-side elevational view of the assembly of FIG. 1; and,

FIG. 7 is a bottom plan view of the assembly of FIG. 1.

The broken lines shown in FIGS. 1, 2, 3 and 5 through 7 are for illustrative purposes only and form no part of the claimed design.

**1 Claim, 5 Drawing Sheets**

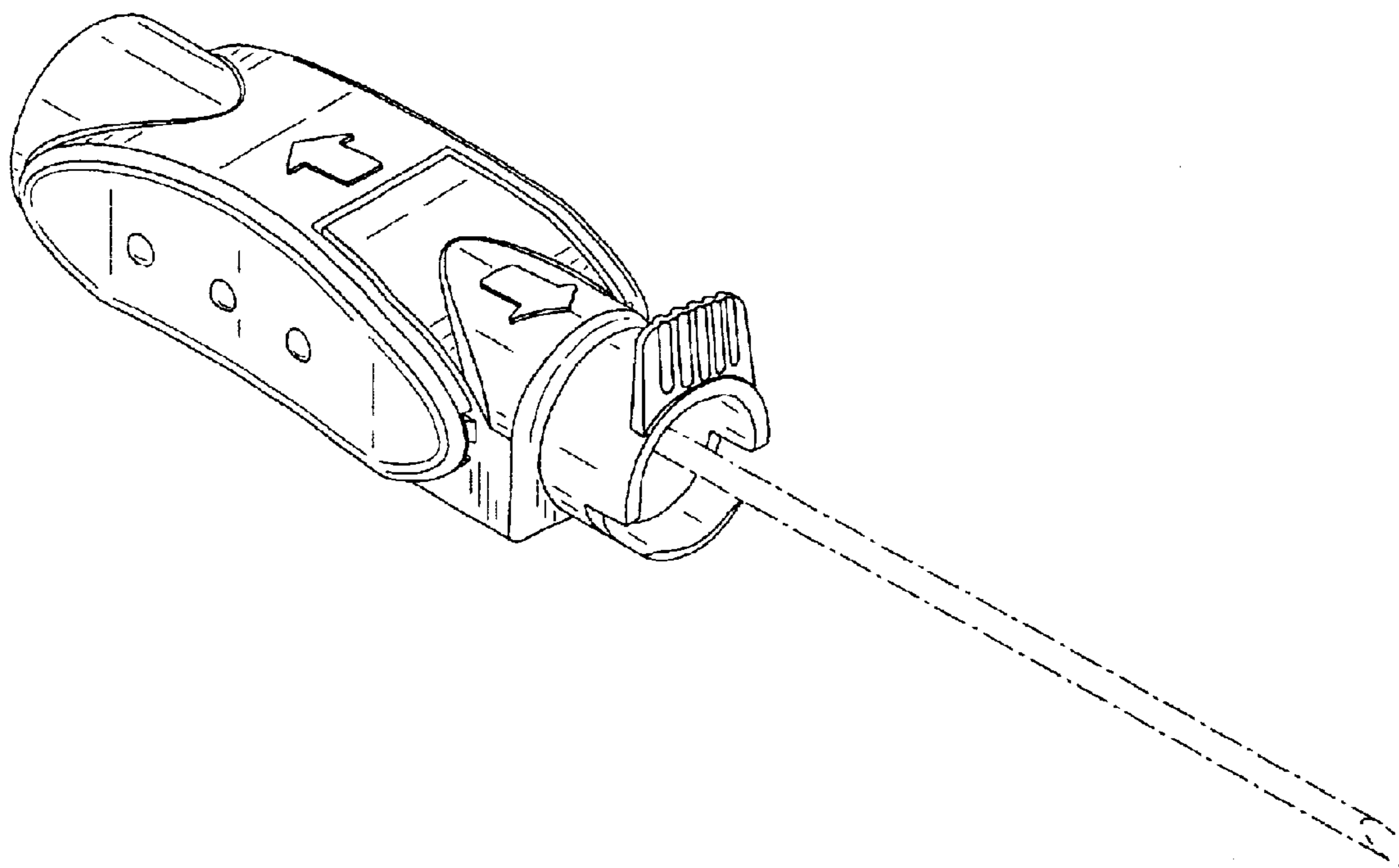
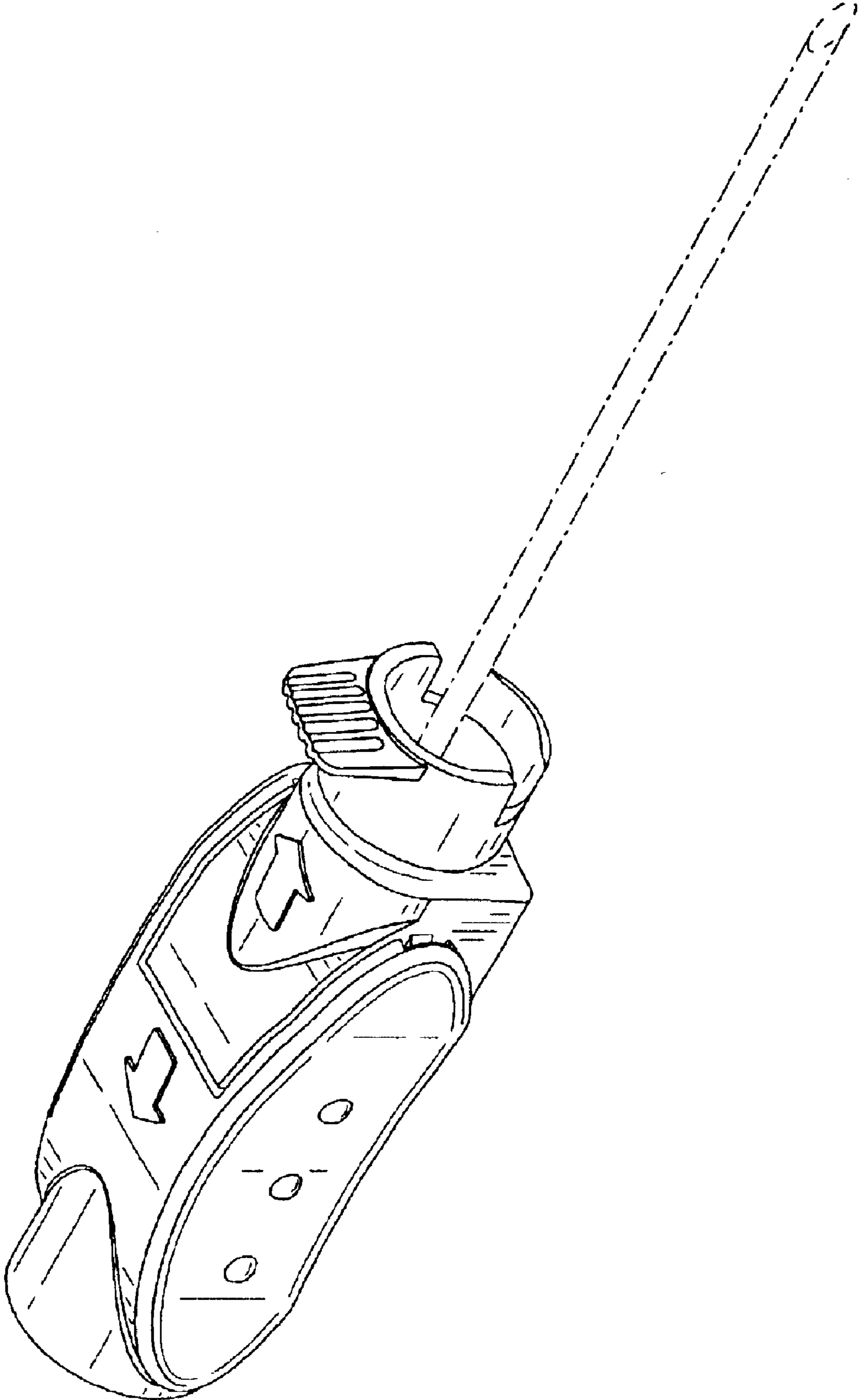


FIG. 1



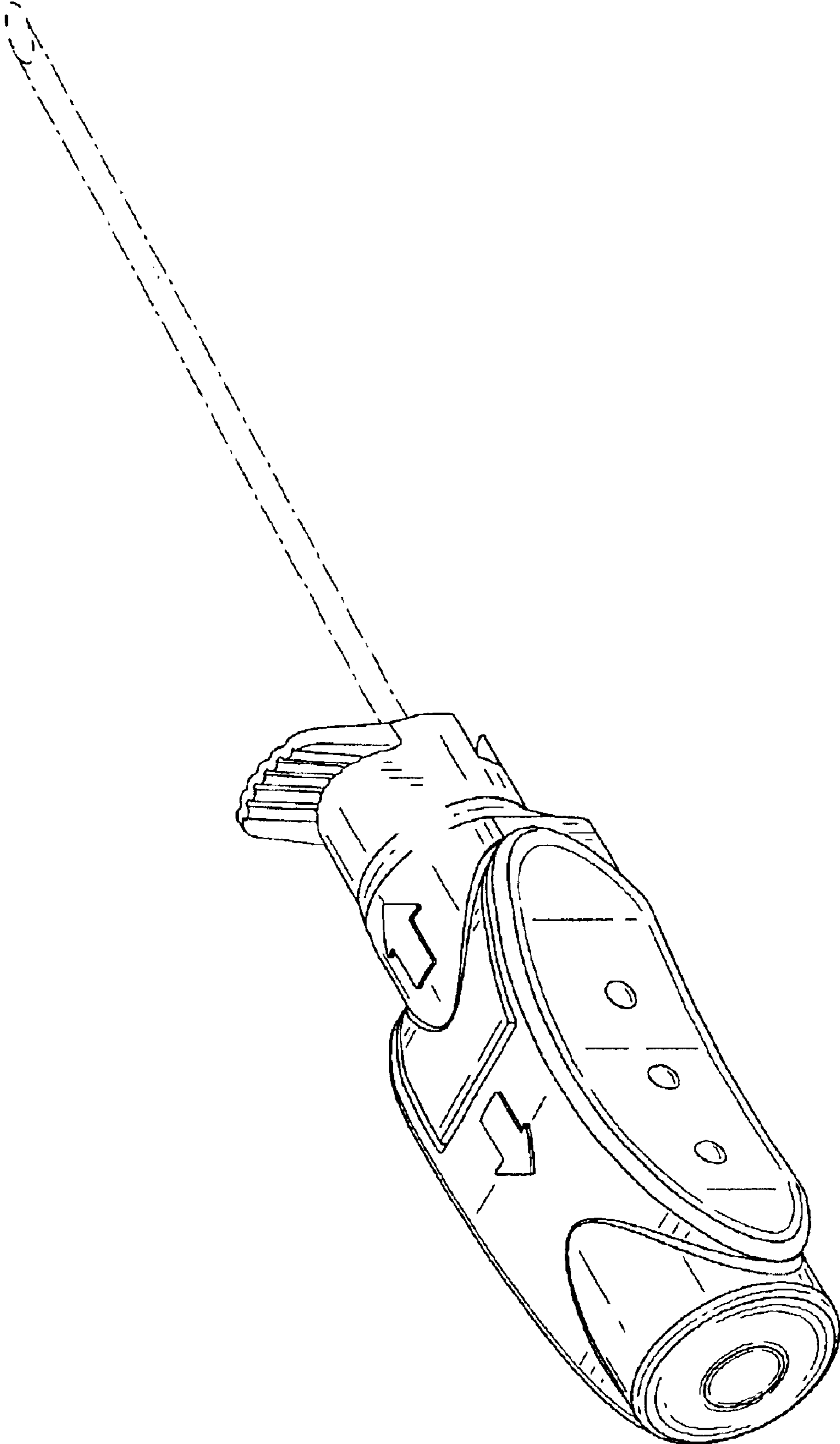


FIG. 2

FIG. 4

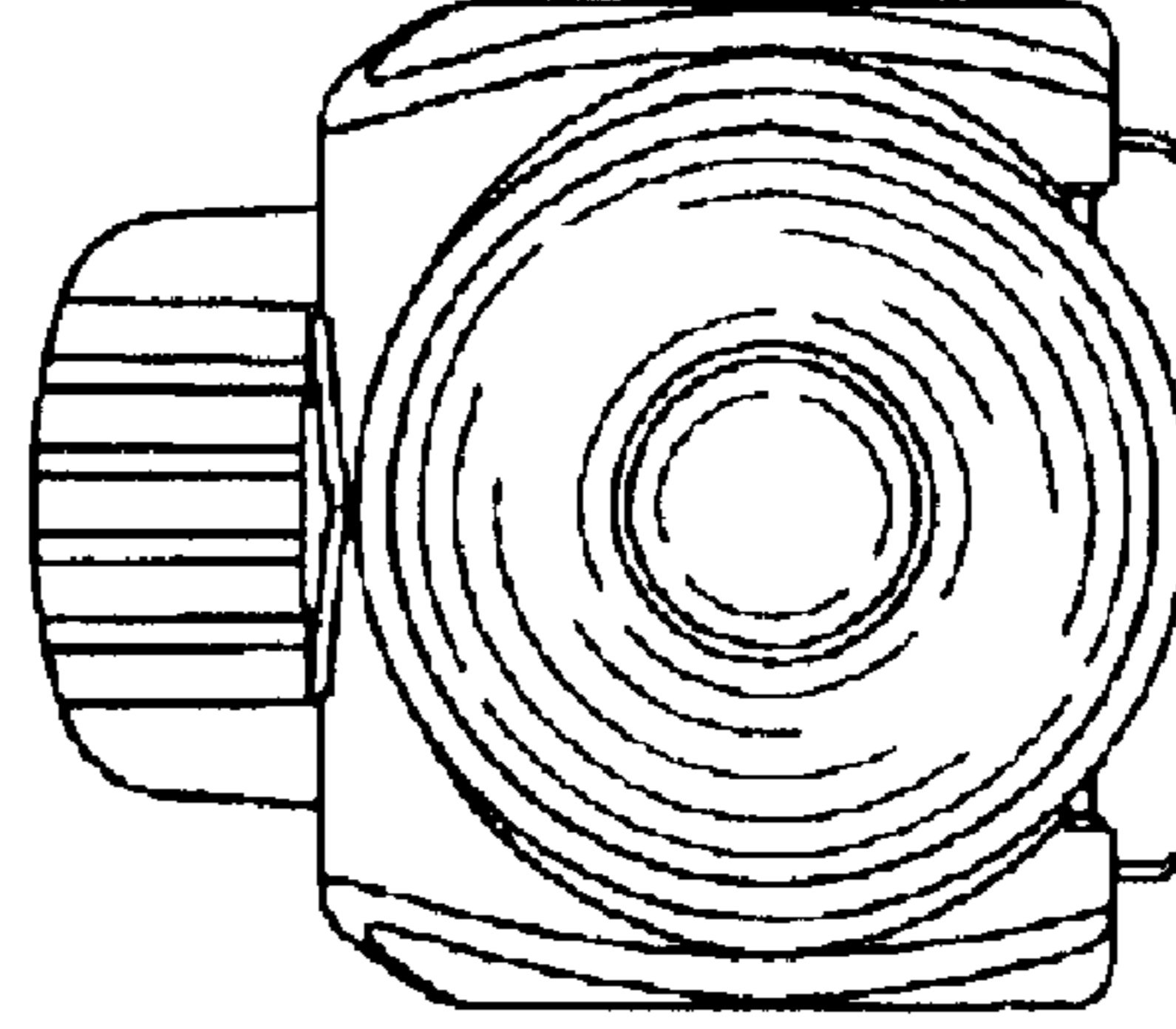


FIG. 3

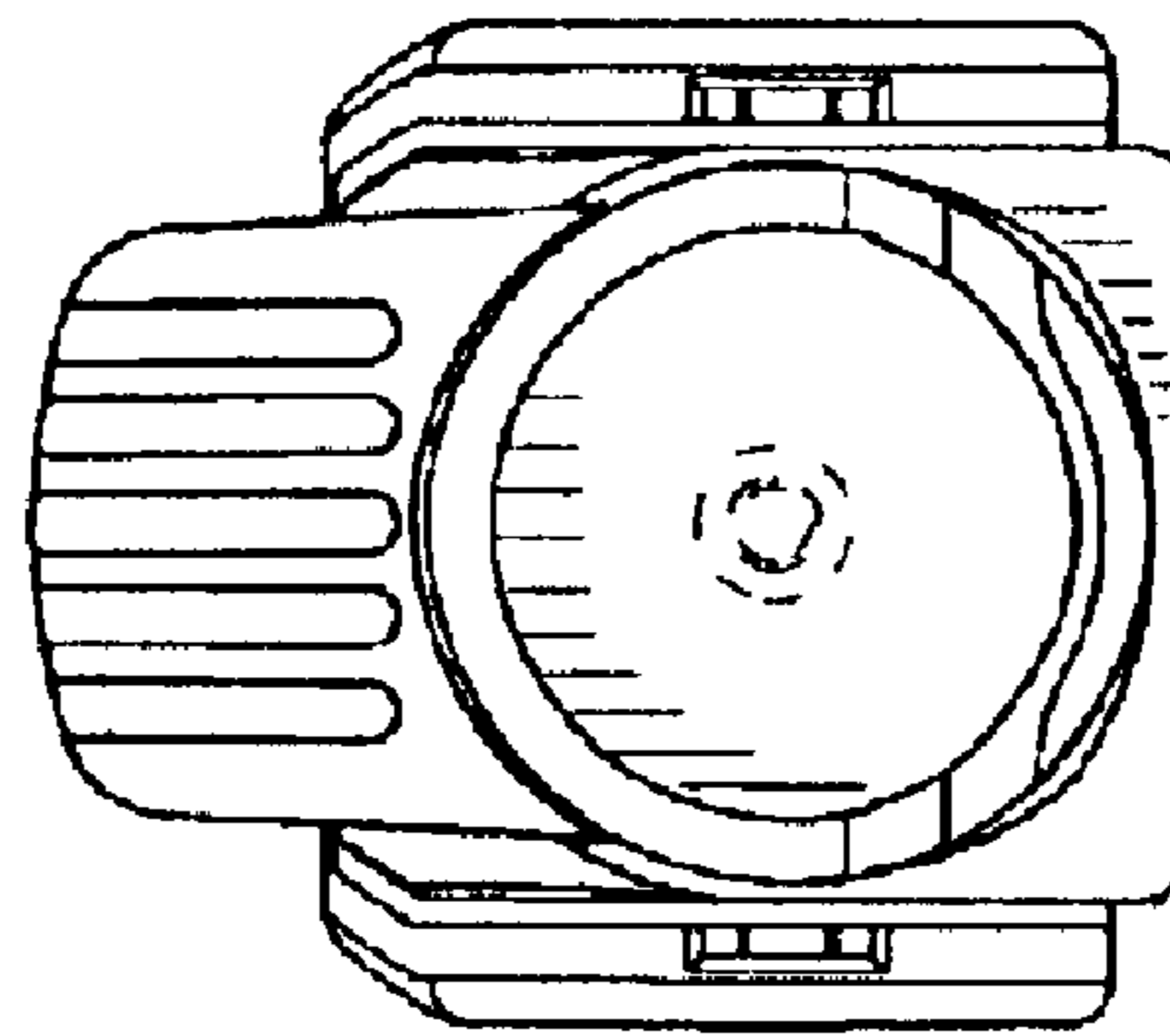


FIG. 5

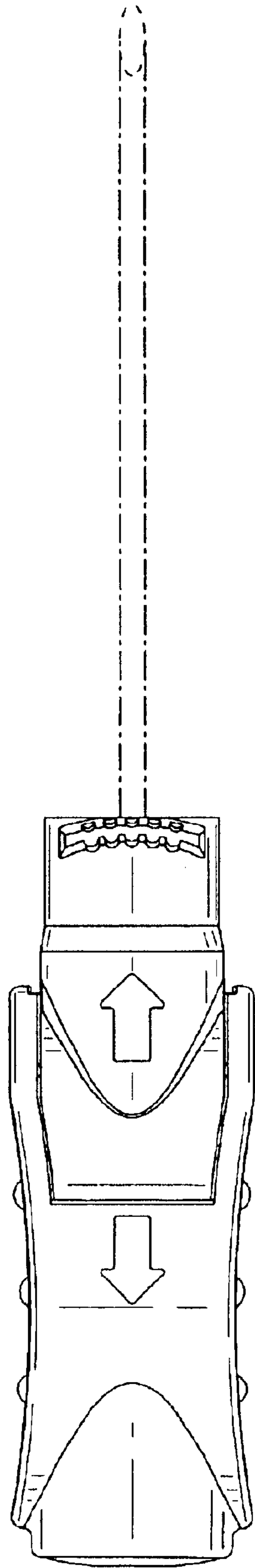


FIG. 6

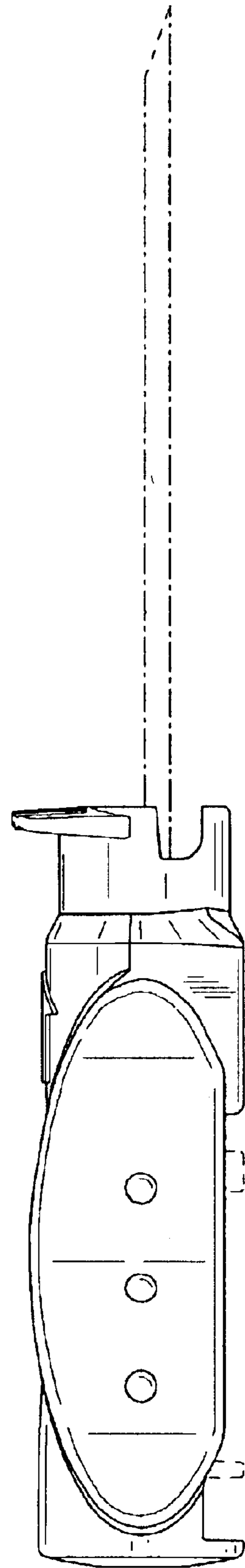


FIG. 7

