



US00D492771S1

(12) **United States Design Patent**
King et al.

(10) **Patent No.:** **US D492,771 S**
(45) **Date of Patent:** **** Jul. 6, 2004**

(54) **MOUTHPIECE FOR AN INHALATION DEVICE**

(75) Inventors: **Michael L. King**, Durham, NC (US);
Alan Ball, Somerville, MA (US);
James Taylor Lloyd, Somerville, MA (US)

(73) Assignee: **SmithKline Beecham Corporation**, Philadelphia, PA (US)

(**) Term: **14 Years**

(21) Appl. No.: **29/172,907**

(22) Filed: **Dec. 18, 2002**

(51) **LOC (7) Cl.** **29-02**

(52) **U.S. Cl.** **D24/110.5; D24/110**

(58) **Field of Search** D24/110, 164,
D24/110.5, 130, 133, 135; 128/200.24,
200.22, 200.14, 200.12, 200.23, 203.14,
203.15, 203.25, 204.25, 207.14, 200.16

(56) **References Cited**

U.S. PATENT DOCUMENTS

5,970,974 A * 10/1999 Van Der Linden
et al. 128/200.16

D479,322 S * 9/2003 Robertson et al. D24/110.5
2002/0121276 A1 * 9/2002 Genova et al. 128/200.23
2003/0041859 A1 * 3/2003 Abrams et al. 128/200.22
2003/0062038 A1 * 4/2003 Tanaka et al. 128/200.14

* cited by examiner

Primary Examiner—Ian Simmons

(74) *Attorney, Agent, or Firm*—Robert J. Smith

(57) **CLAIM**

The ornamental design for a mouthpiece for an inhalation device, as shown and described.

DESCRIPTION

FIG. 1 is a perspective view of a mouthpiece for an inhalation device. The broken lines are for illustrative purposes only and form no part of the claimed design;

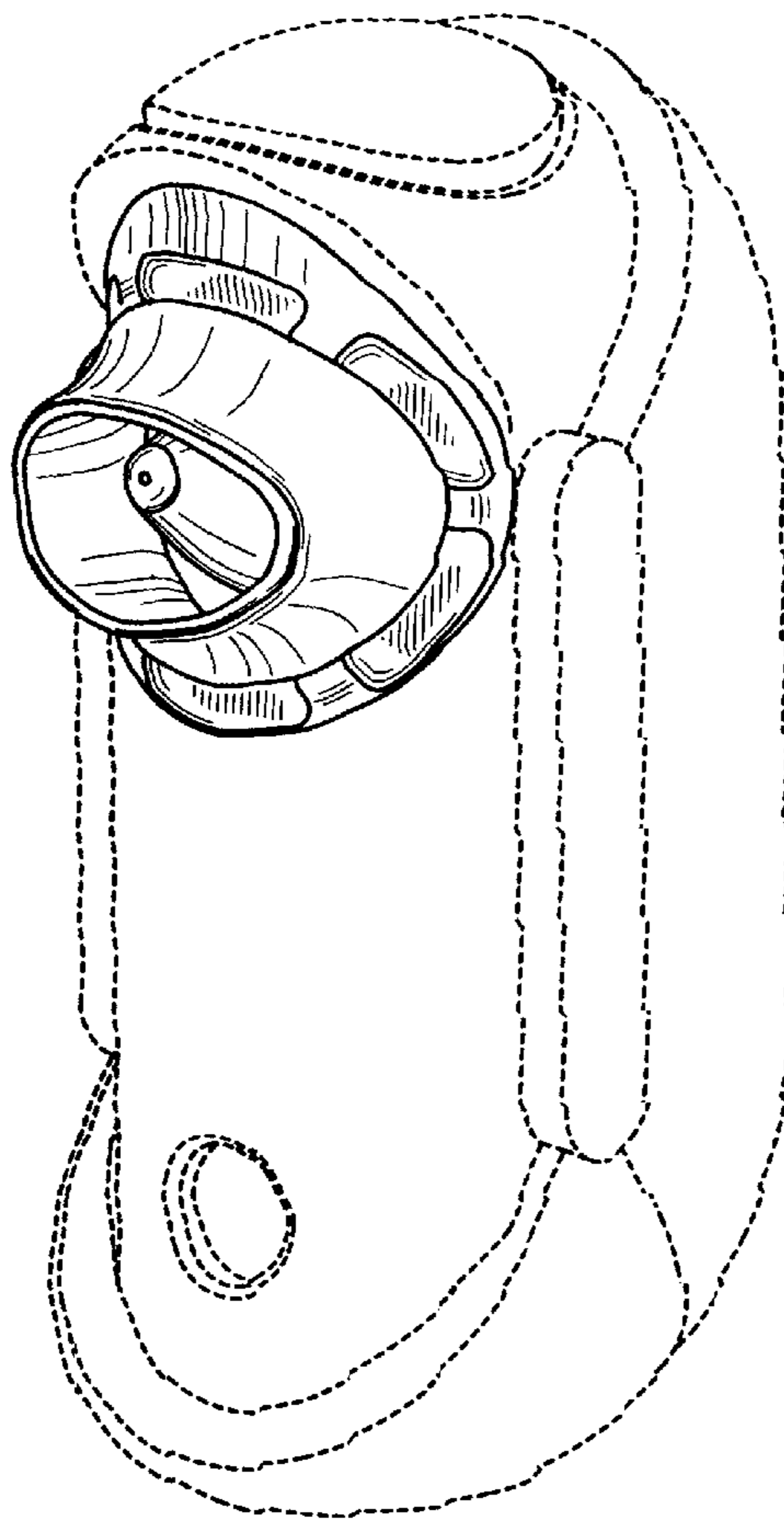
FIG. 2 is a side view thereof;

FIG. 3 is a front view thereof;

FIG. 4 is a top view thereof; and,

FIG. 5 is a bottom view thereof.

1 Claim, 2 Drawing Sheets



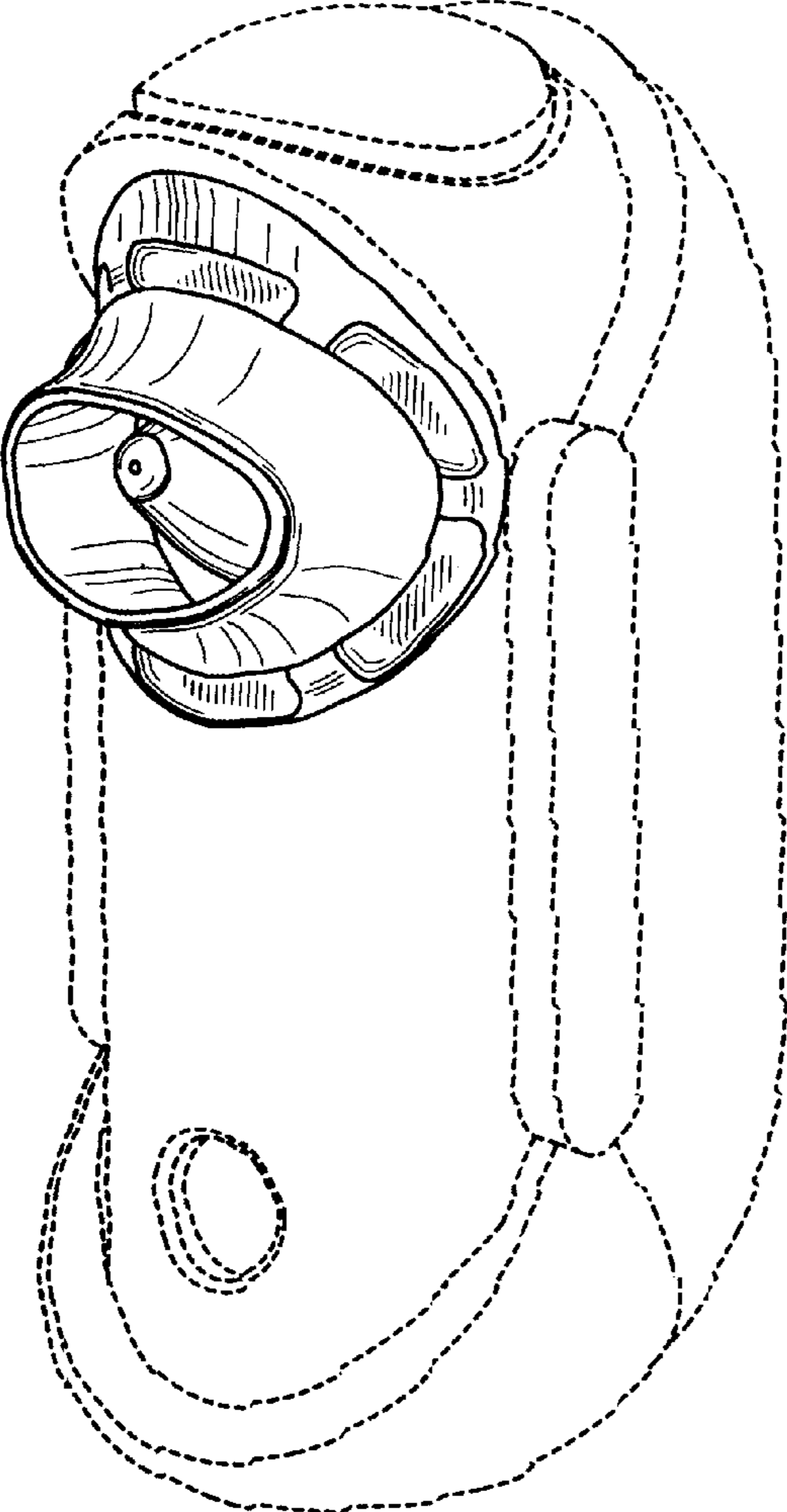


FIGURE 1

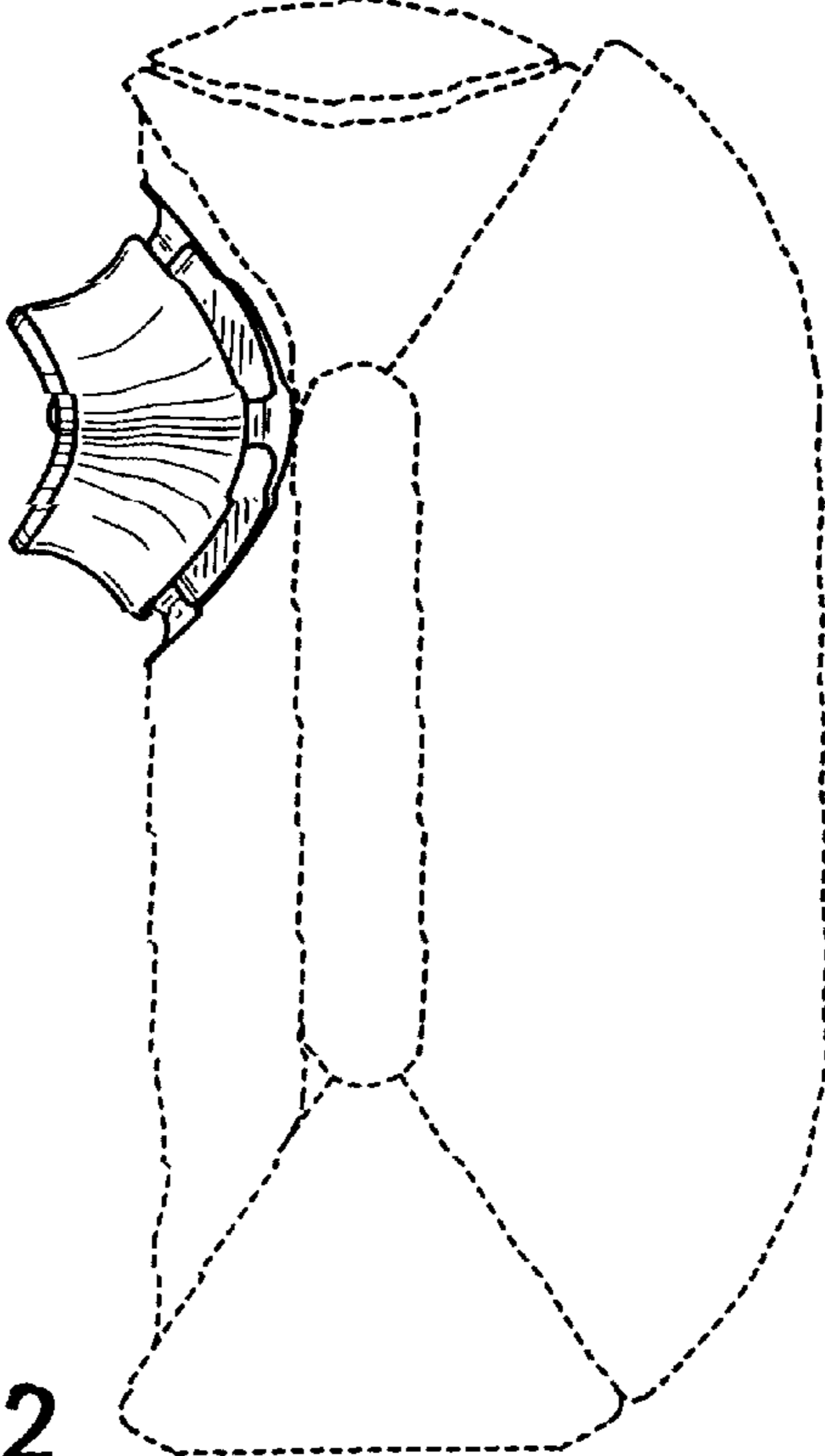


FIGURE 2

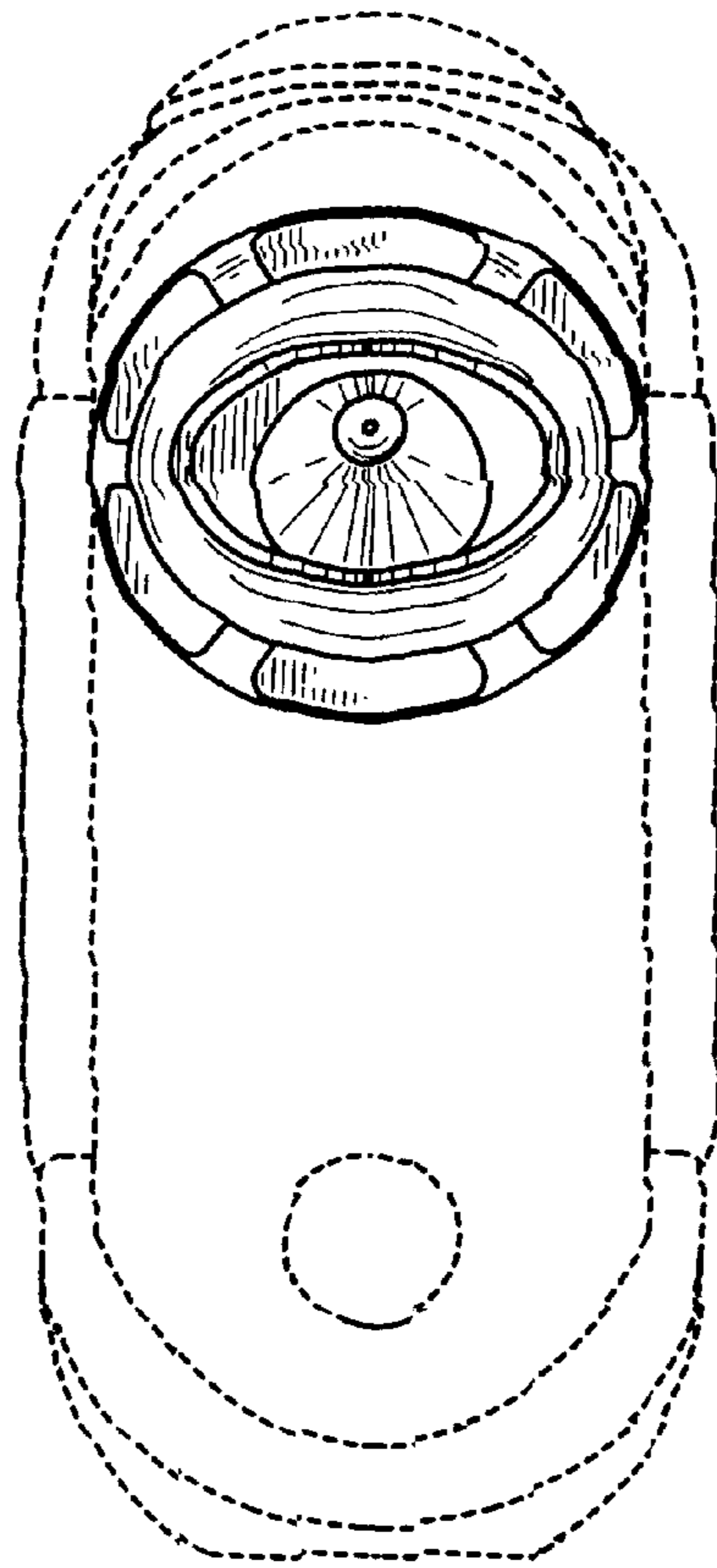


FIGURE 3

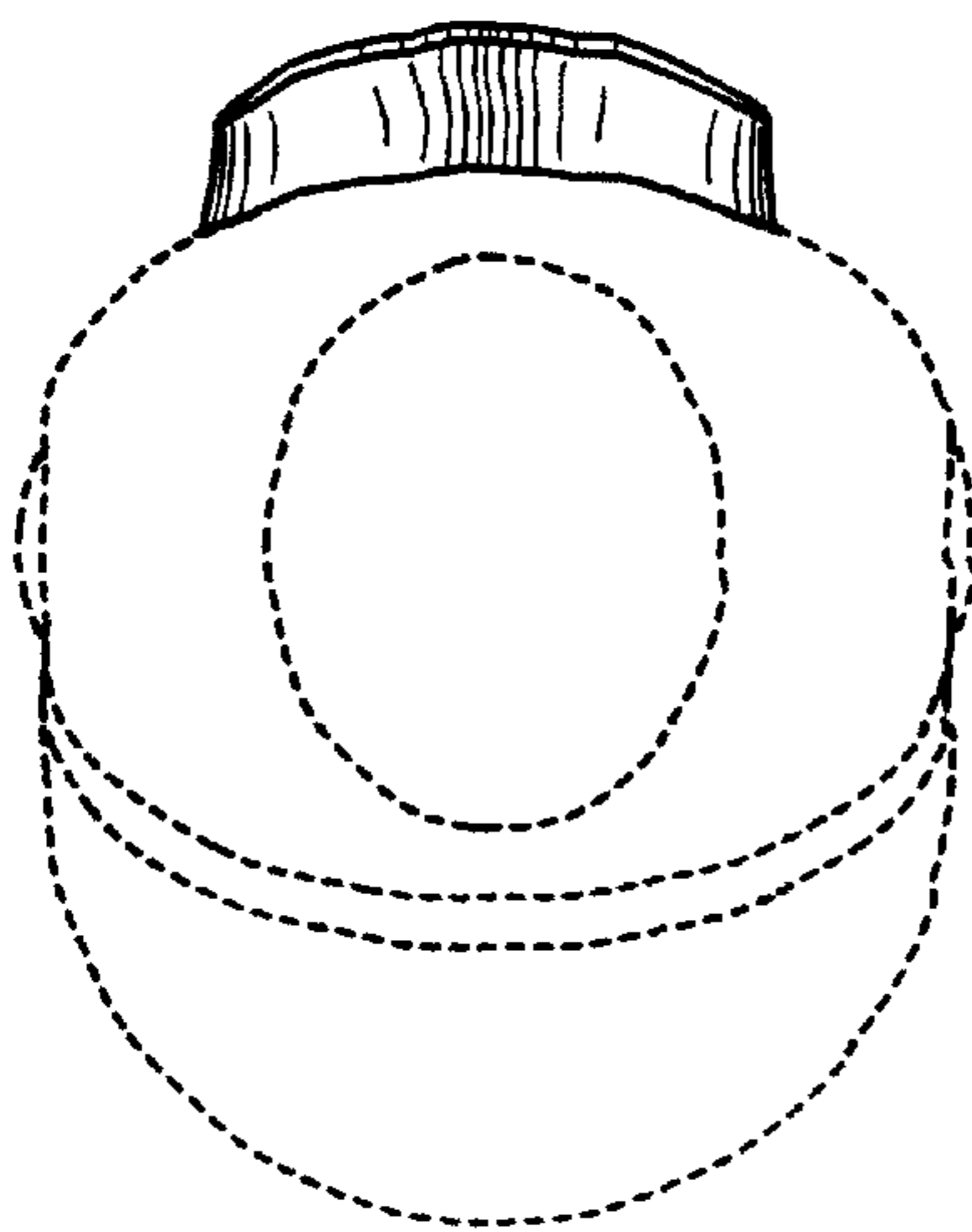


FIGURE 4

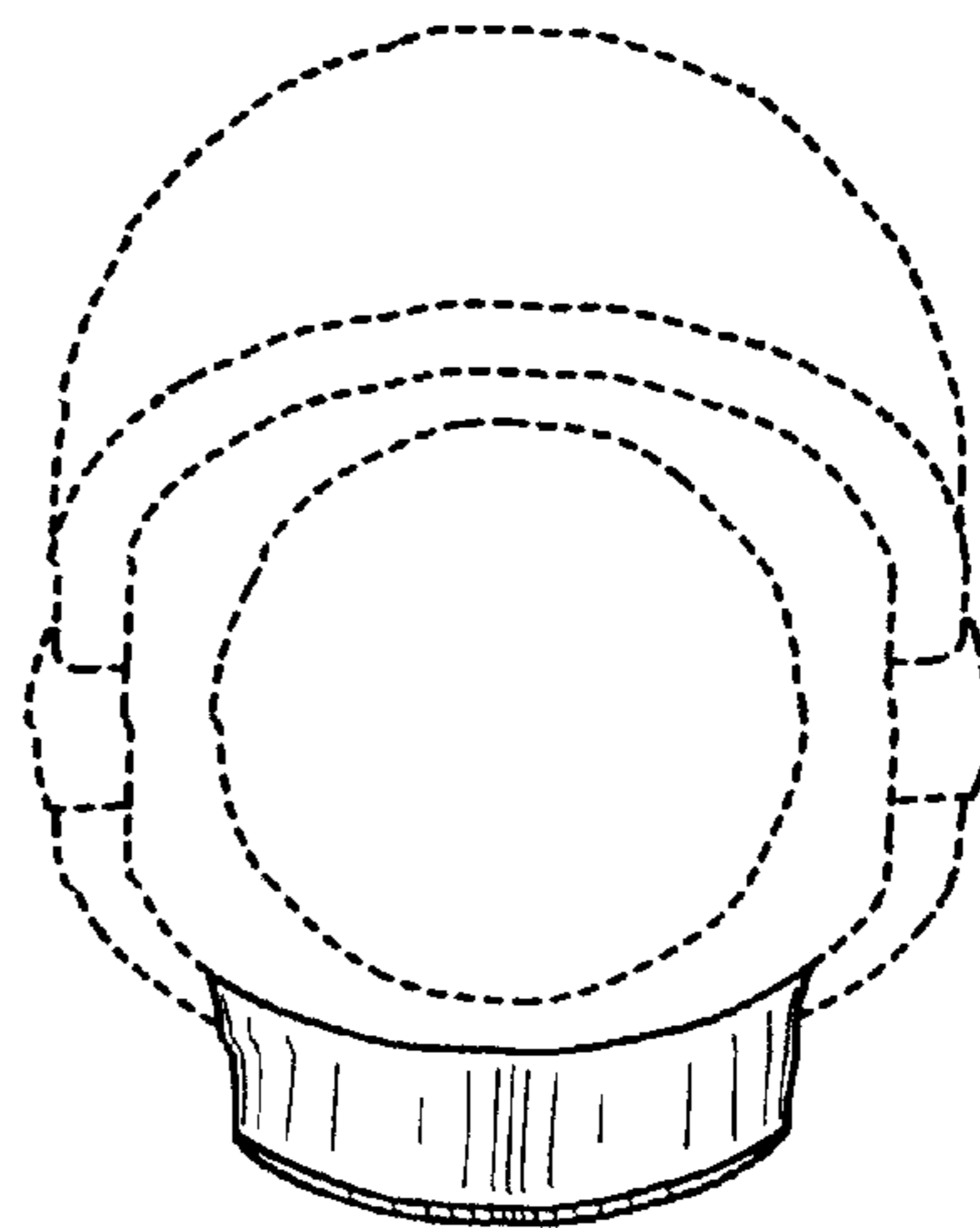


FIGURE 5