



US00D492769S1

(12) **United States Design Patent**
Hatanaka

(10) **Patent No.:** **US D492,769 S**
(45) **Date of Patent:** **** Jul. 6, 2004**

(54) **LENS FOR AN INHALER**

5,970,974 A * 10/1999 Van Der Linden et al. 128/
200.14

(75) Inventor: **Satoshi Hatanaka**, Shibuya-Ku (JP)

* cited by examiner

(73) Assignee: **GlaxoSmithKline K.K.**, Tokyo (JP)

Primary Examiner—Ian Simmons

(**) Term: **14 Years**

(74) *Attorney, Agent, or Firm*—James P. Riek

(21) Appl. No.: **29/171,385**

(57) **CLAIM**

(22) Filed: **Nov. 21, 2002**

The ornamental design for a lens for an inhaler, as shown and described.

(30) **Foreign Application Priority Data**

DESCRIPTION

May 24, 2002 (JP) 2002-013914

(51) **LOC (7) Cl.** **29-02**

(52) **U.S. Cl.** **D24/110**

(58) **Field of Search** D24/110, 114,
D24/130; D14/217; D16/134, 135, 136;
128/200.24, 200.23, 200.14, 203.15, 203.12,
203.14, 203.25, 204.25, 207.14; 359/803,
809, 810, 811, 808

FIG. 1 is a top view of a lens for an inhaler showing my new design;

FIG. 2 is a bottom view thereof;

FIG. 3 is a side view thereof;

FIG. 4 is an end view thereof;

FIG. 5 is an end view thereof, opposite that shown in FIG. 4;

FIG. 6 is a perspective view thereof;

FIG. 7 is an enlarged cross-sectional view thereof, taken along 7—7 of FIG. 1;

FIG. 8 is a partial cross-sectional view thereof, taken along 8—8 of FIG. 3; and,

FIG. 9 is a top view thereof, the broken line showing of the inhaler is for illustrative purposes only and forms no part of the claimed design.

(56) **References Cited**

U.S. PATENT DOCUMENTS

2,682,806 A * 7/1954 Tschischeck D24/114
4,958,913 A * 9/1990 Schaffer D16/135
5,031,918 A * 7/1991 Brill D16/135
5,524,613 A * 6/1996 Haber et al. 128/203.15
5,769,073 A * 6/1998 Eason et al. 128/200.22

1 Claim, 3 Drawing Sheets

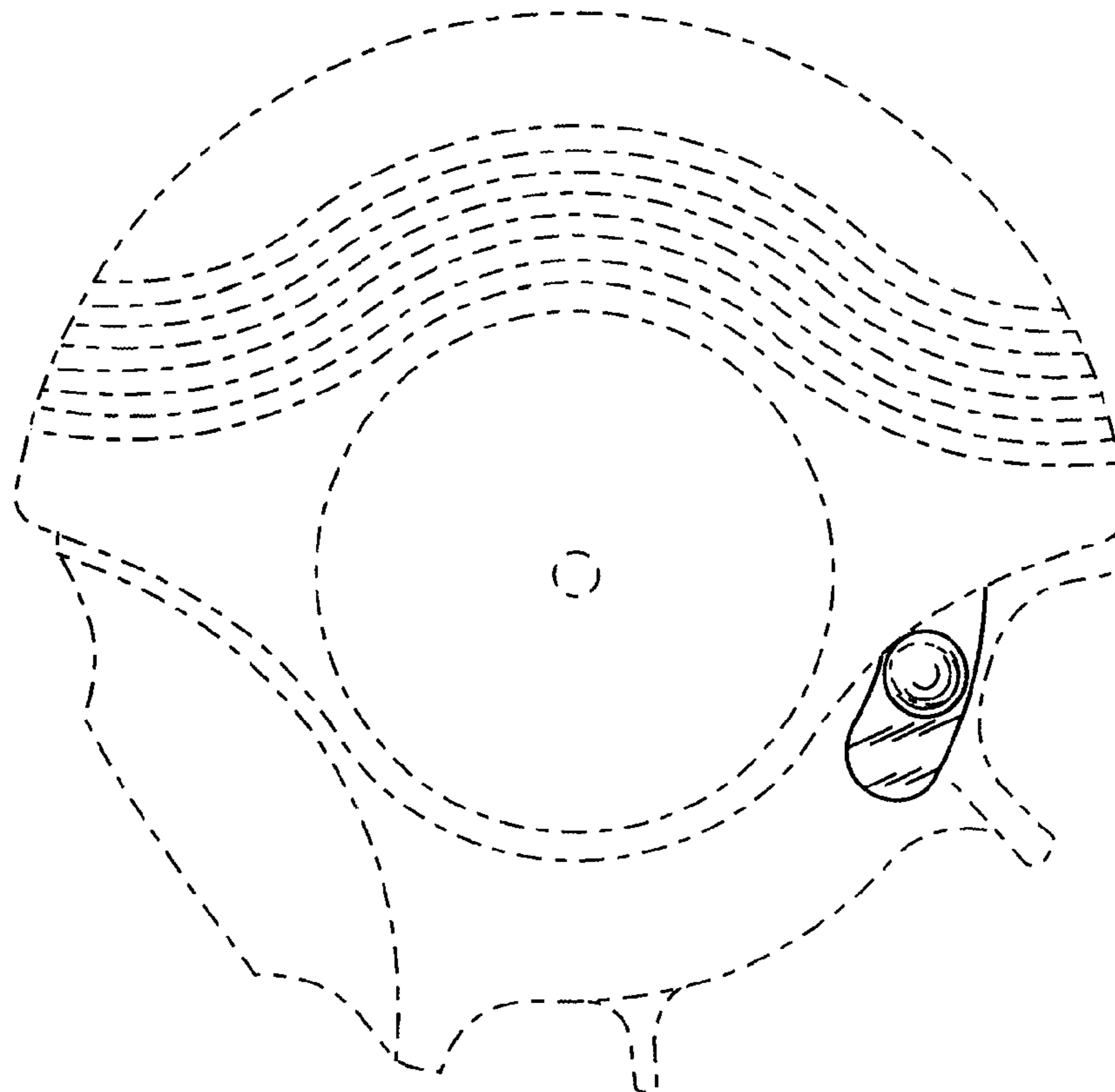


FIG. 1

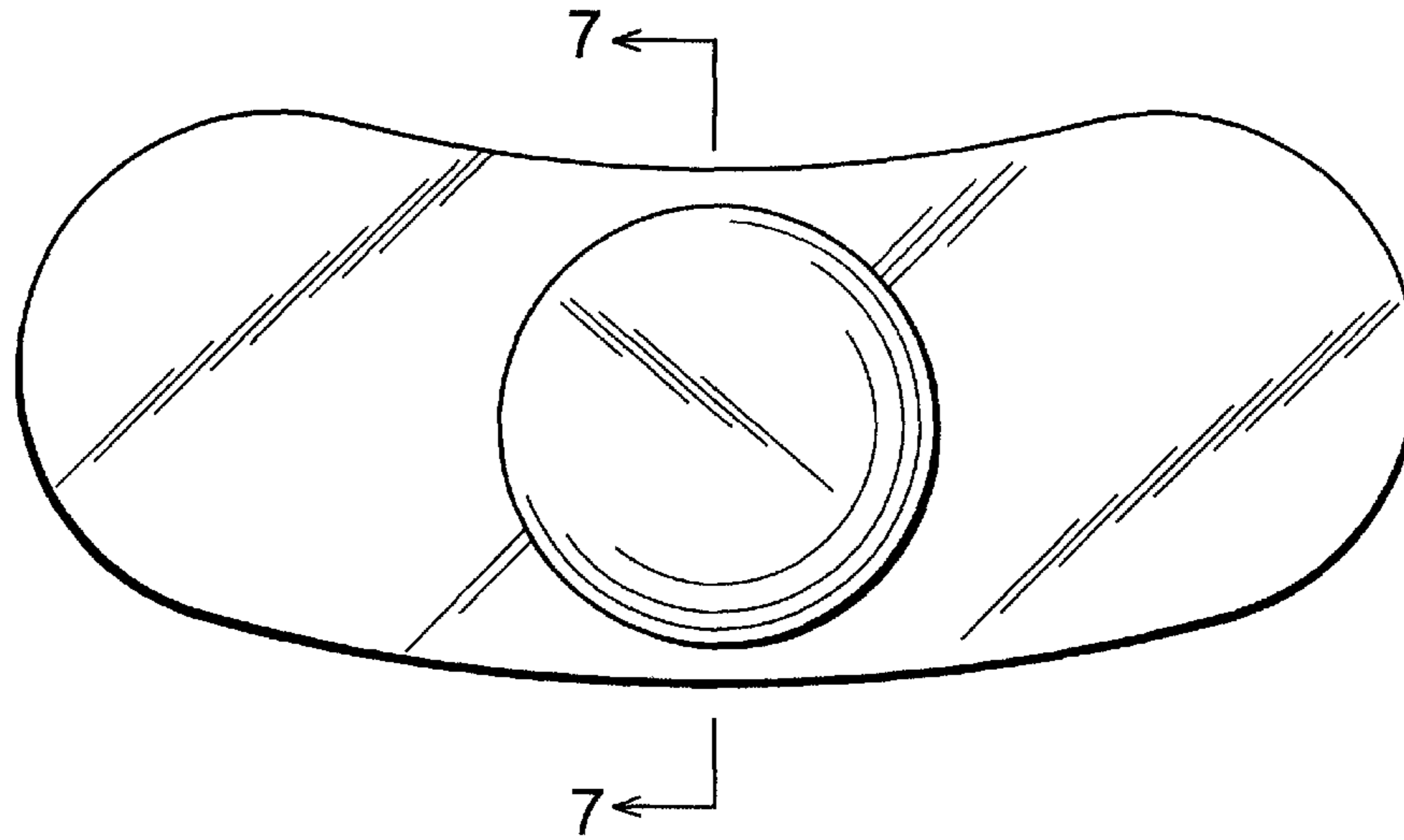


FIG. 2

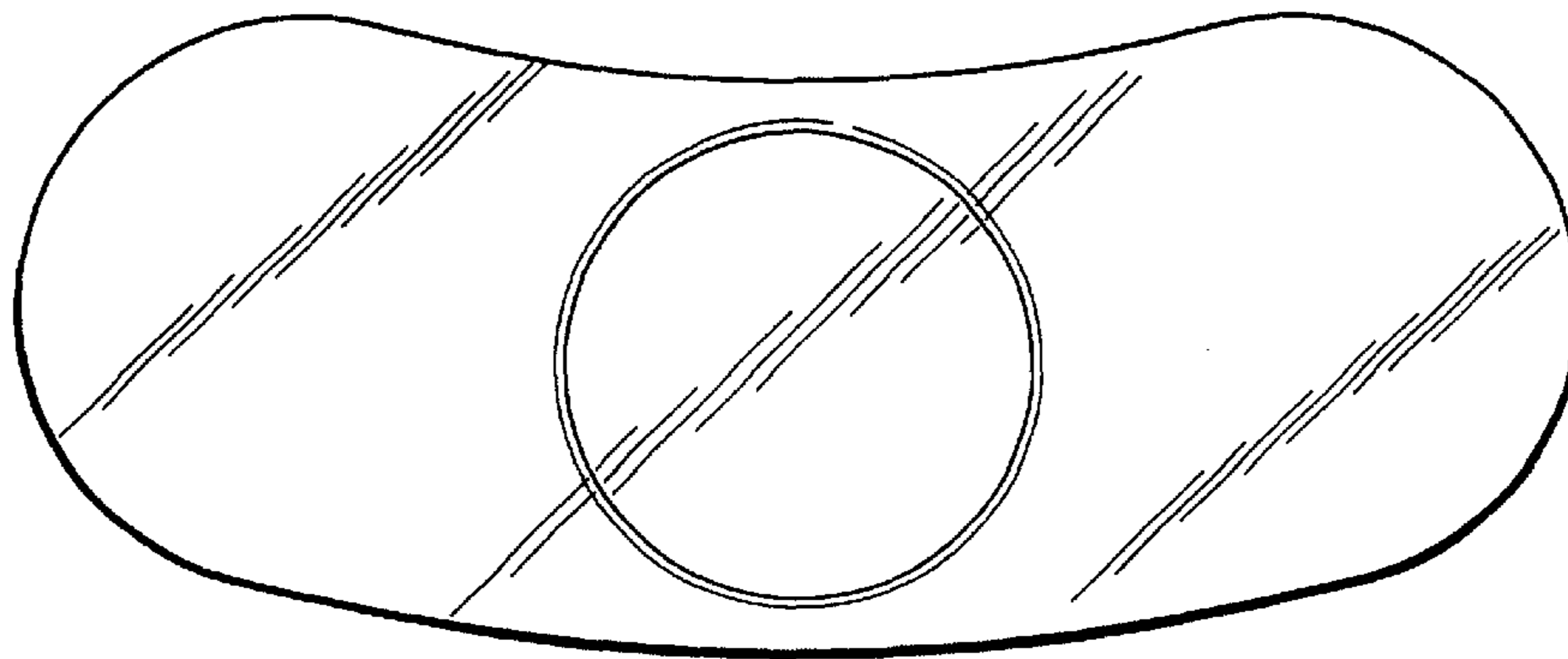


FIG. 3

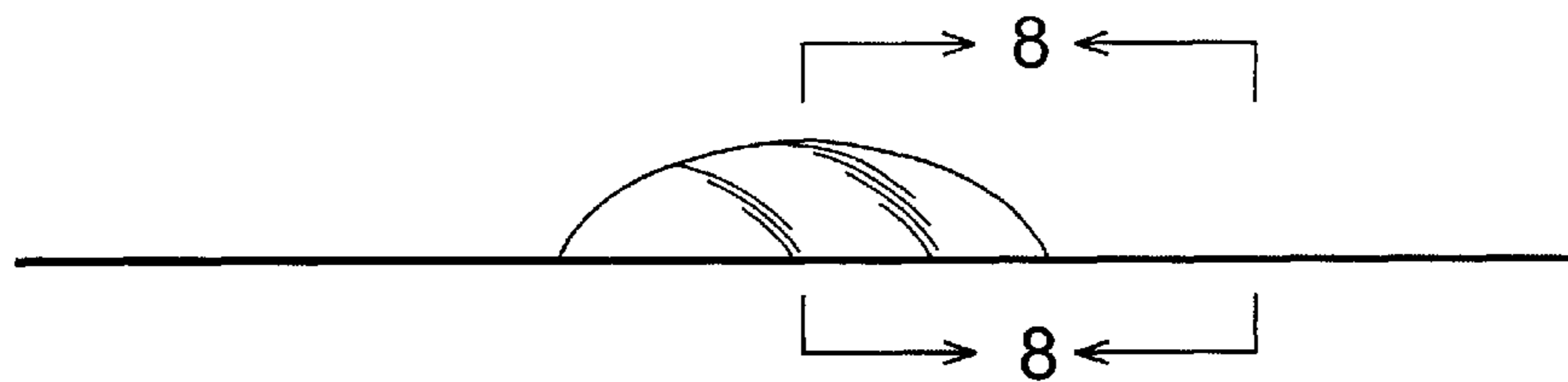


FIG. 4



FIG. 5



FIG. 6

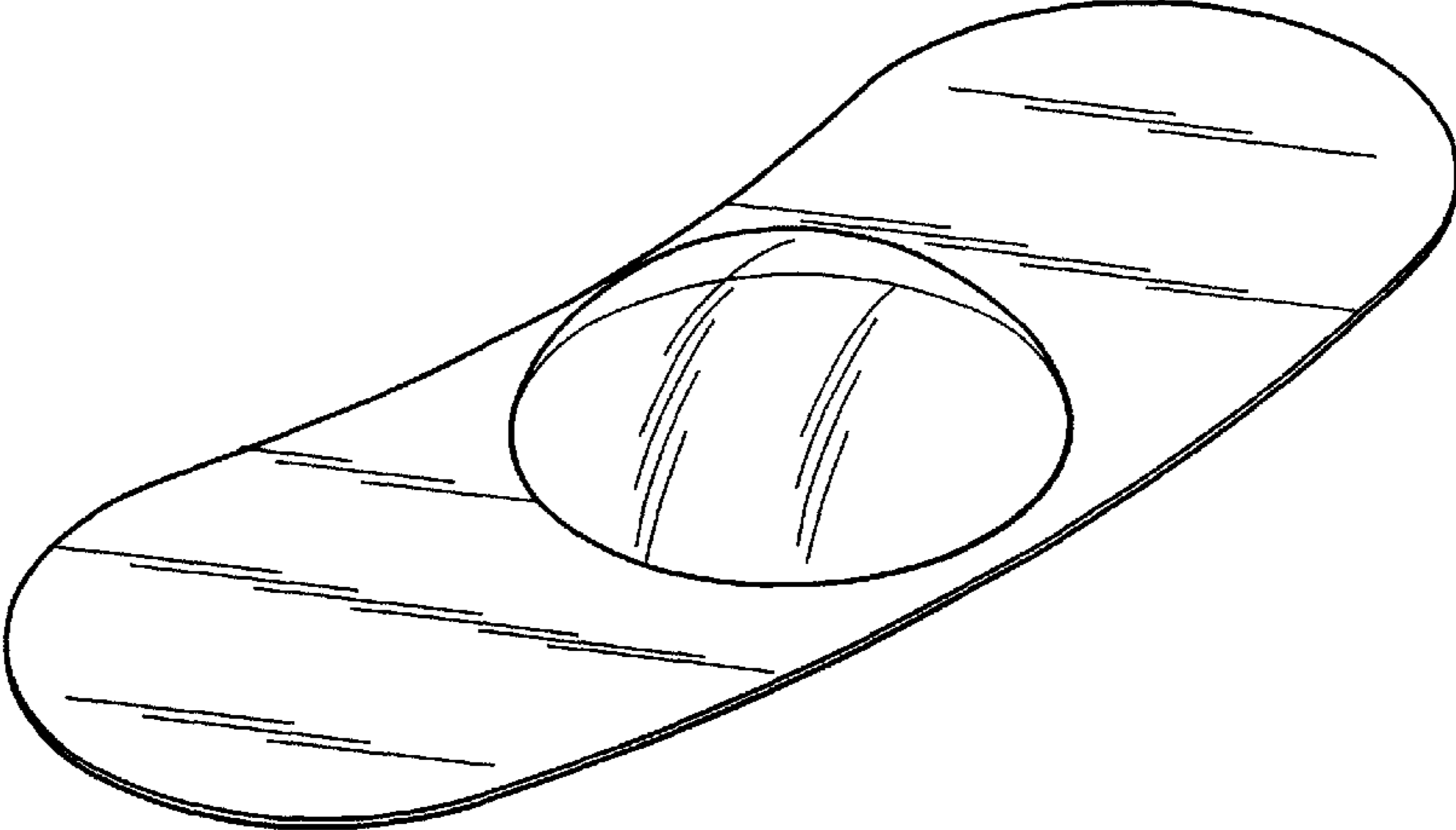


FIG. 7

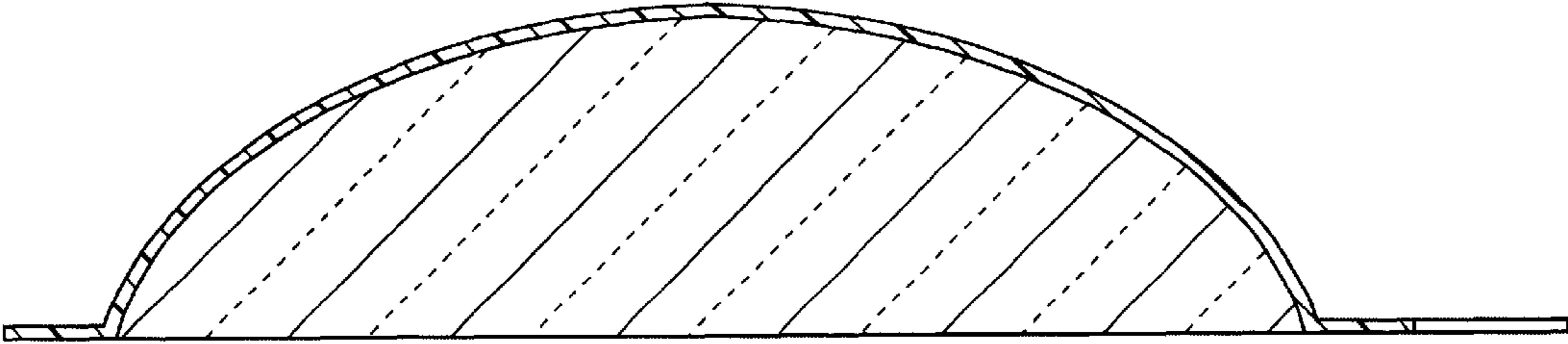


FIG. 8

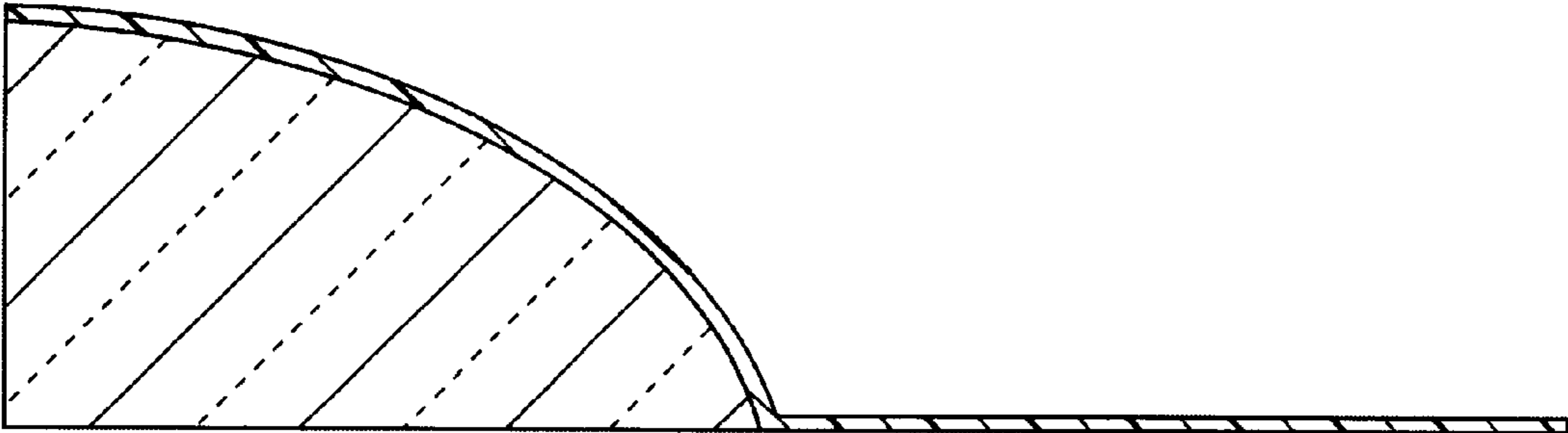


FIG. 9

