

US00D492766S1

(12) **United States Design Patent**  
**Falco**

(10) **Patent No.:** **US D492,766 S**  
(45) **Date of Patent:** **\*\* Jul. 6, 2004**

(54) **EARPLUG**  
(75) **Inventor:** **Robert Falco, Indianapolis, IN (US)**  
(73) **Assignee:** **Cabot Safety Intermediate Corporation, Newark, DE (US)**  
(\*\*) **Term:** **14 Years**

4,867,149 A \* 9/1989 Falco ..... 128/864  
5,819,745 A \* 10/1998 Mobley et al. .... 128/864  
D402,752 S \* 12/1998 Falco ..... D24/106  
D414,260 S \* 9/1999 Conner ..... D24/106  
D427,304 S \* 6/2000 Magidson et al. .... D24/106  
D436,164 S \* 1/2001 Foslien ..... D24/106  
6,286,622 B1 \* 9/2001 Tiemann ..... 181/135  
D466,995 S \* 12/2002 Knauer et al. .... D24/106  
D472,627 S \* 4/2003 Falco ..... D24/106

(21) **Appl. No.:** **29/175,421**  
(22) **Filed:** **Feb. 4, 2003**

\* cited by examiner

**Related U.S. Application Data**

*Primary Examiner*—Ian Simmons  
(74) *Attorney, Agent, or Firm*—Cantor Colburn LLP

(62) Division of application No. 29/154,252, filed on Jan. 18, 2002, now abandoned.

(57) **CLAIM**

The ornamental for an earplug, as shown and described.

(51) **LOC (7) Cl.** ..... **24-04**  
(52) **U.S. Cl.** ..... **D24/106**  
(58) **Field of Search** ..... D24/106; 128/860,  
128/864, 865, 867; 181/130, 135

**DESCRIPTION**

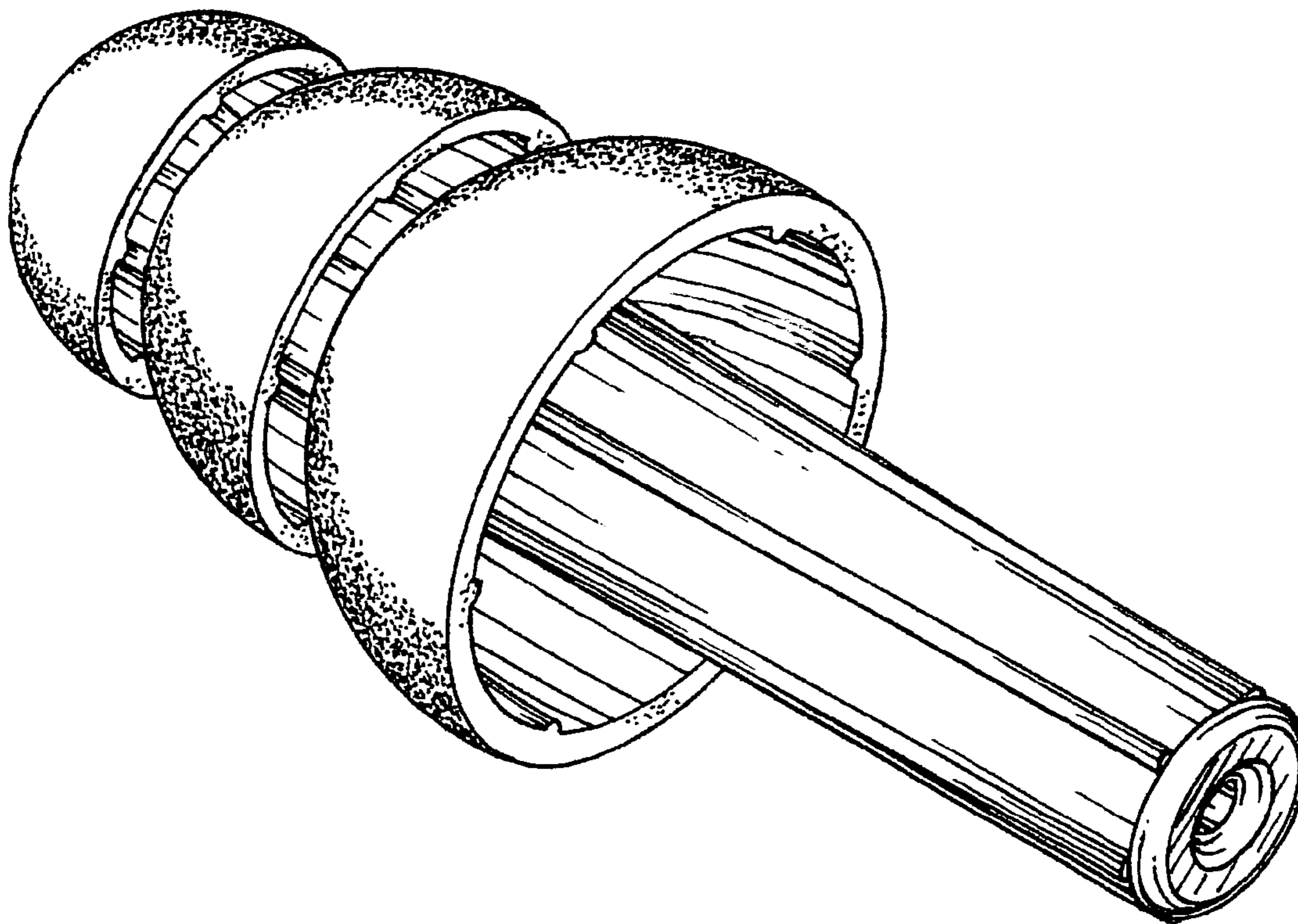
FIG. 1 is a perspective view of an earplug showing my new design;  
FIG. 2 is a side elevational view thereof, the opposite side view thereof being a mirror image thereof;  
FIG. 3 is another side elevational view thereof, the opposite side view thereof being a mirror image thereof;  
FIG. 4 is a top plan view thereof; and,  
FIG. 5 is a bottom plan view thereof.

(56) **References Cited**

**U.S. PATENT DOCUMENTS**

D195,322 S \* 5/1963 Hill ..... D24/106  
4,314,553 A \* 2/1982 Westerdal ..... D24/106  
D298,356 S \* 11/1988 Falco ..... D24/106

**1 Claim, 2 Drawing Sheets**



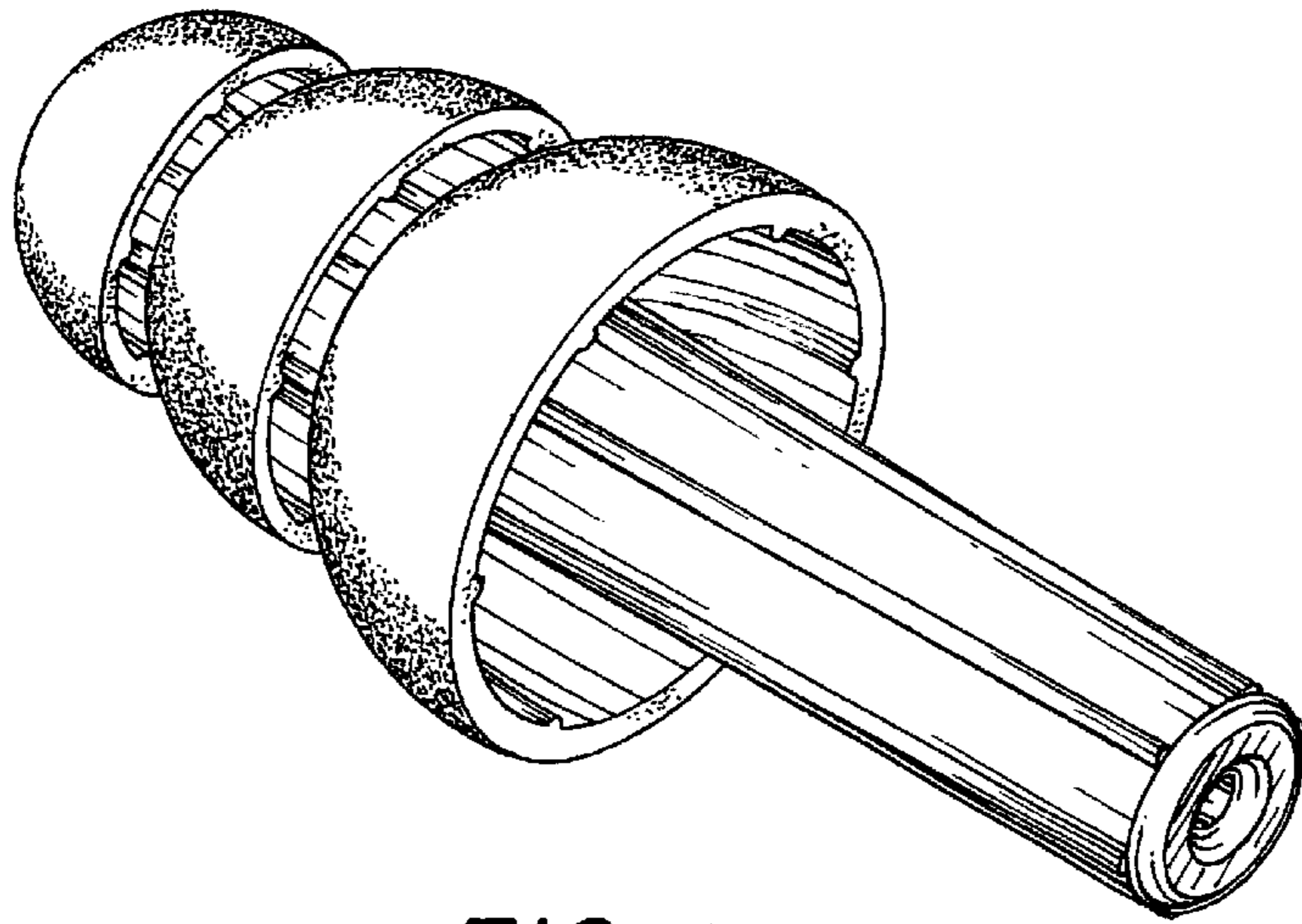


FIG. 1

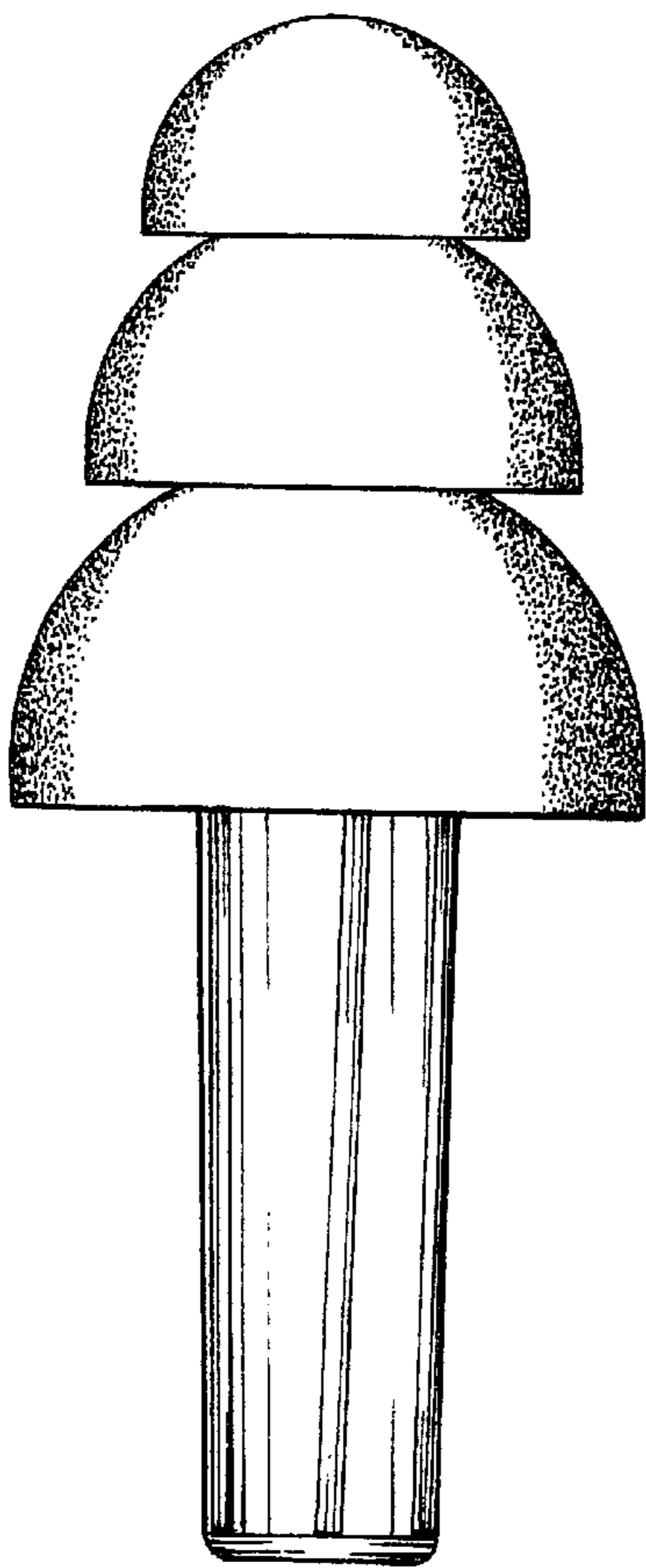


FIG. 2

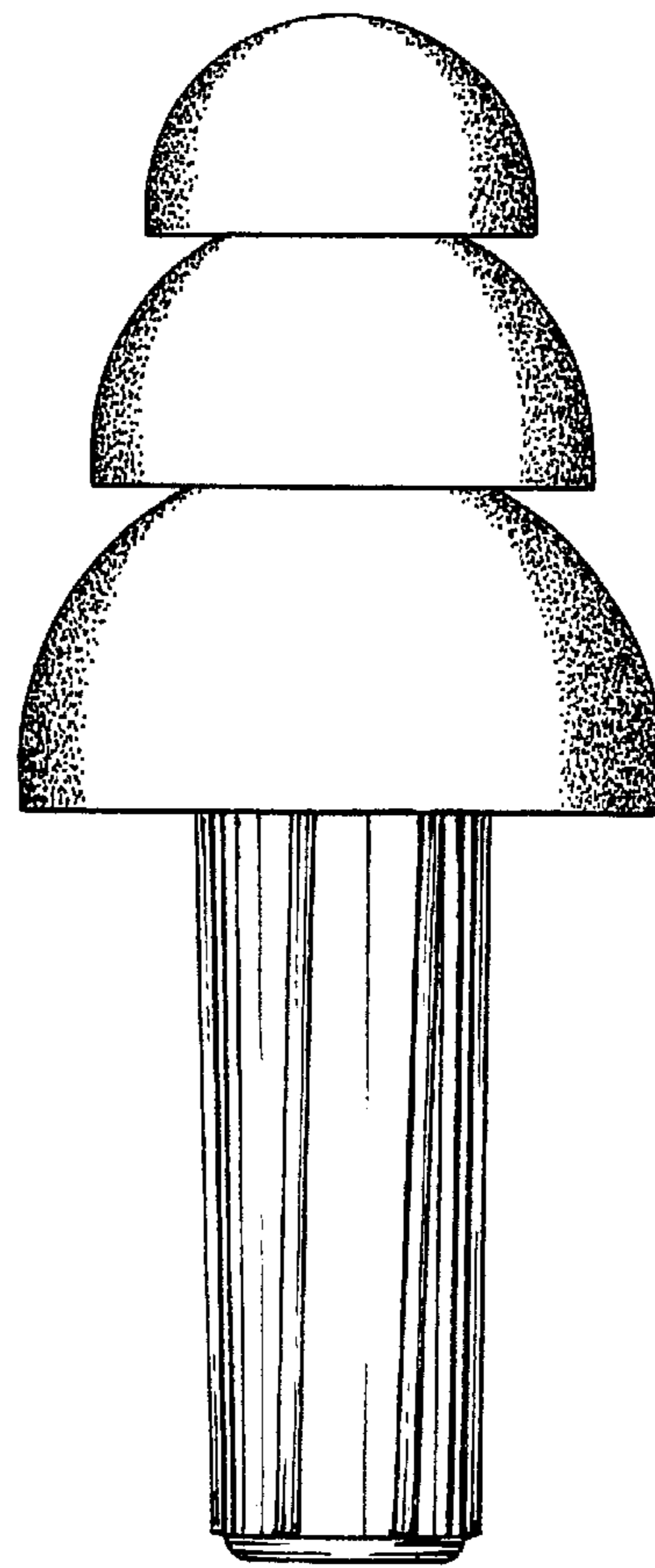
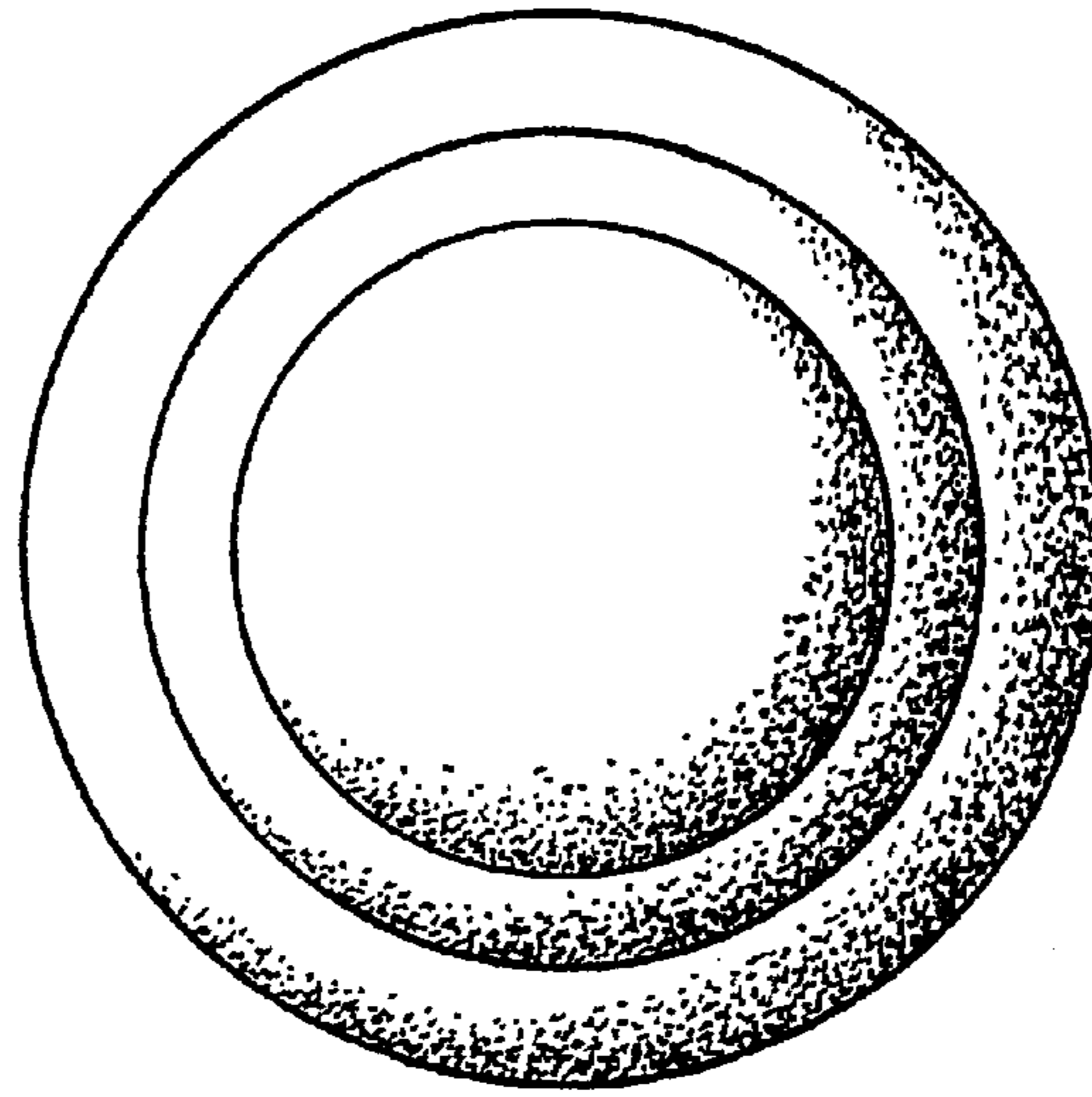
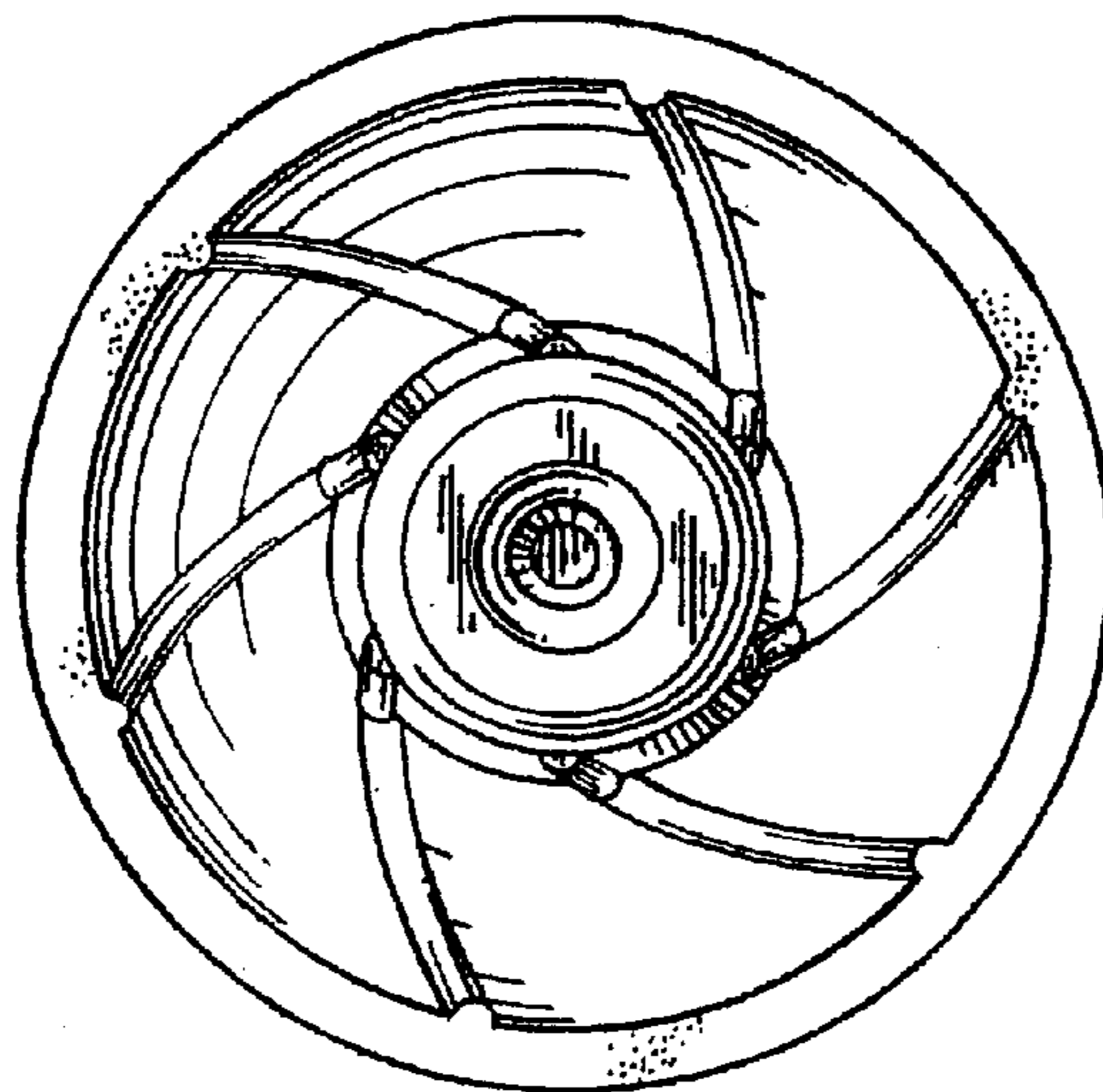


FIG. 3



*FIG. 4*



*FIG. 5*