



US00D492765S1

(12) **United States Design Patent**
Falco

(10) **Patent No.:** **US D492,765 S**
(45) **Date of Patent:** **** Jul. 6, 2004**

(54) **EARPLUG**
(75) **Inventor:** **Robert Falco, Indianapolis, IN (US)**
(73) **Assignee:** **Cabot Safety Intermediate Corporation, Newark, DE (US)**
(**) **Term:** **14 Years**

4,867,149 A * 9/1989 Falco 128/864
5,819,745 A * 10/1998 Mobley et al. 128/864
D402,752 S * 12/1998 Falco D24/106
D414,260 S * 9/1999 Conner D24/106
D427,304 S * 6/2000 Magidson et al. D24/106
D436,164 S * 1/2001 Foslien D24/106
6,286,622 B1 * 9/2001 Tiemann 181/135
D466,995 S * 12/2002 Knauer et al. D24/106
D472,627 S * 4/2003 Falco D24/106

(21) **Appl. No.:** **29/175,420**
(22) **Filed:** **Feb. 4, 2003**

* cited by examiner

Related U.S. Application Data

Primary Examiner—Ian Simmons
(74) *Attorney, Agent, or Firm*—Cantor Colburn LLP

(62) Division of application No. 29/154,252, filed on Jan. 18, 2002, now abandoned.
(51) **LOC (7) Cl.** **24-04**
(52) **U.S. Cl.** **D24/106**
(58) **Field of Search** D24/106; 181/131, 181/135, 130; 128/864, 867, 866, 865

(57) **CLAIM**

The ornamental design for an earplug, as shown and described.

DESCRIPTION

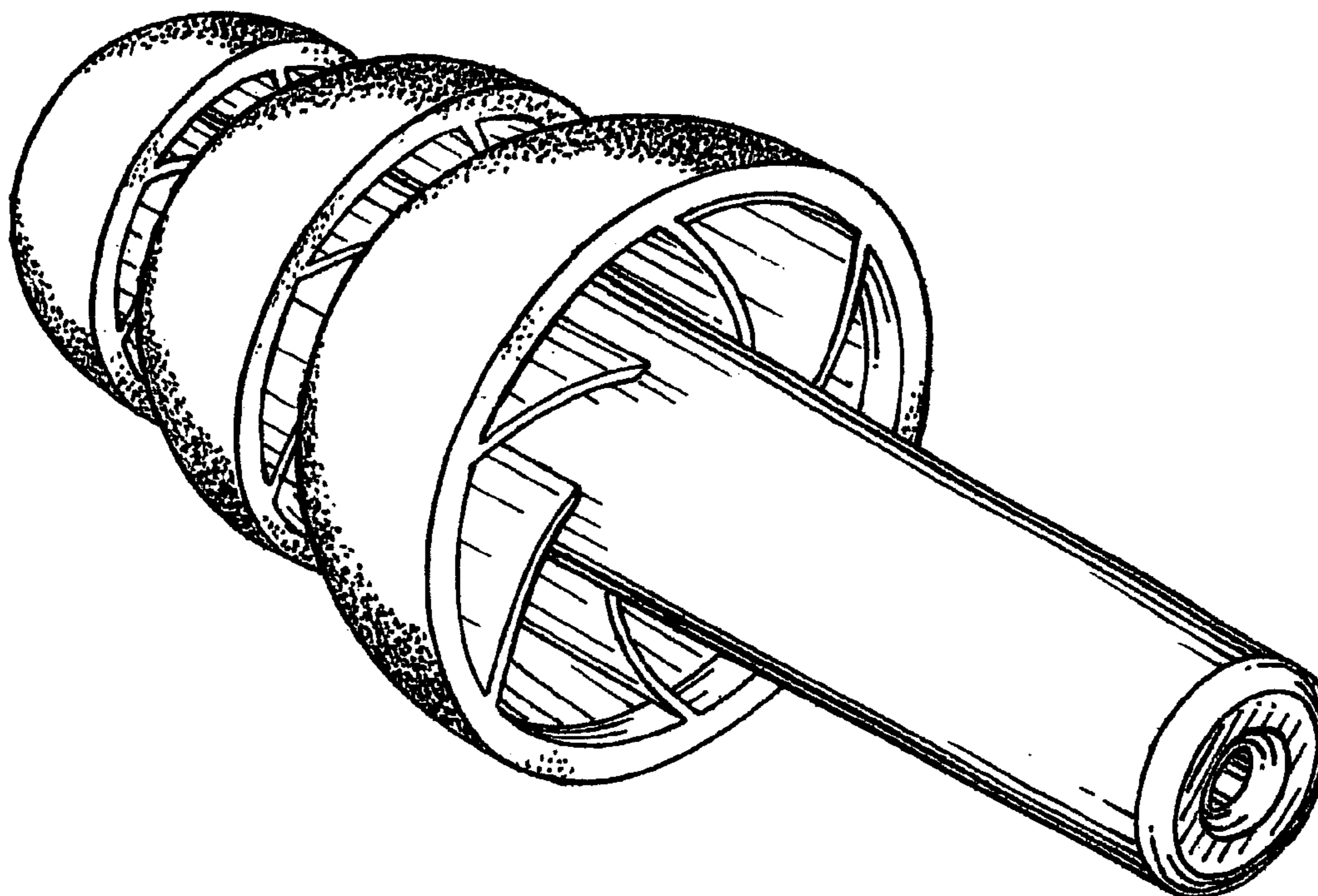
(56) **References Cited**

FIG. 1 is a perspective view of an earplug showing my new design;
FIG. 2 is a side elevational view thereof, all other side views being mirror images thereof;
FIG. 3 is a top plan view thereof; and,
FIG. 4 is a bottom plan view thereof.

U.S. PATENT DOCUMENTS

D195,322 S * 5/1963 Hill D24/106
4,314,553 A * 2/1982 Westerdal D24/106
D298,356 S * 11/1988 Falco D24/106

1 Claim, 2 Drawing Sheets



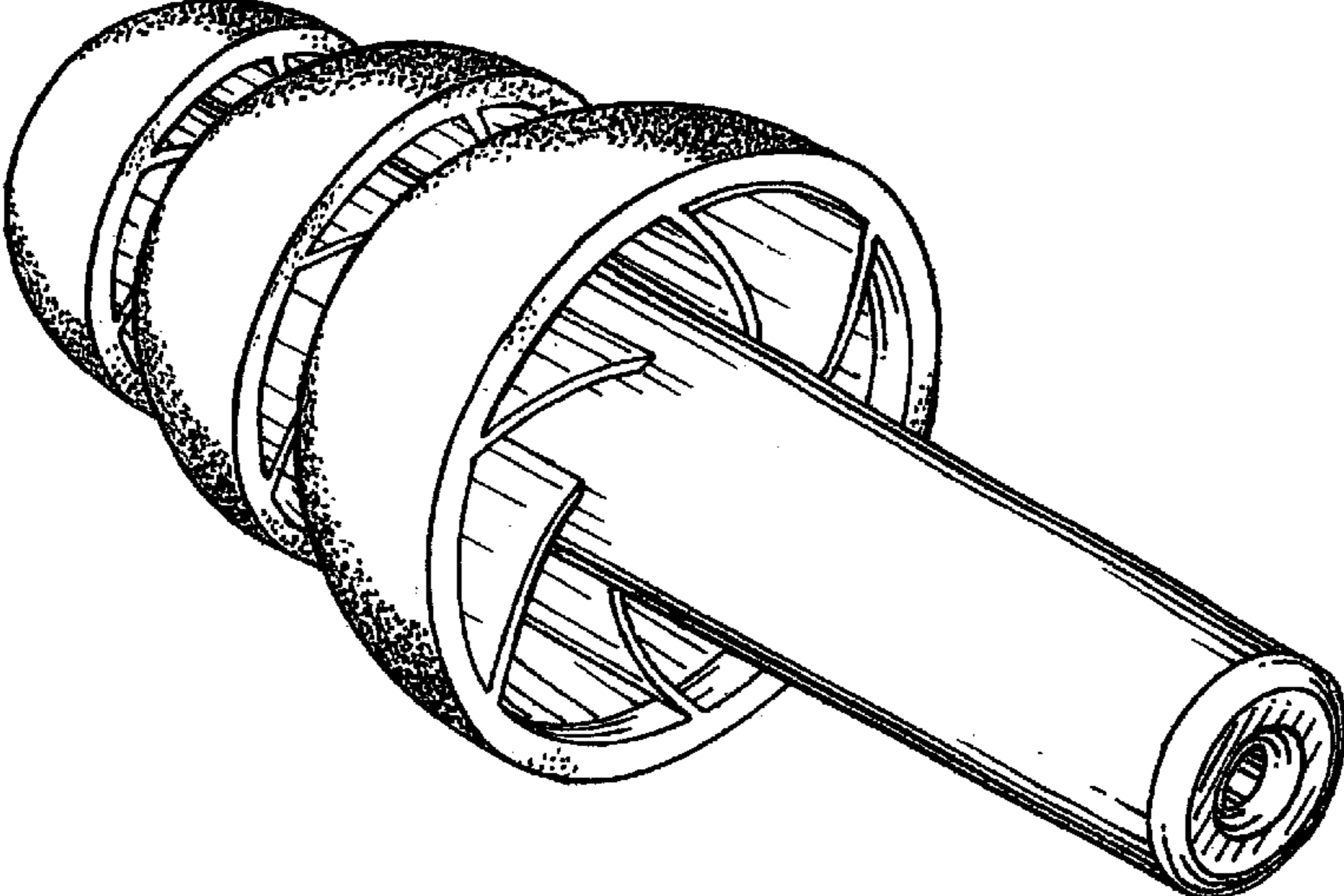


FIG. 1

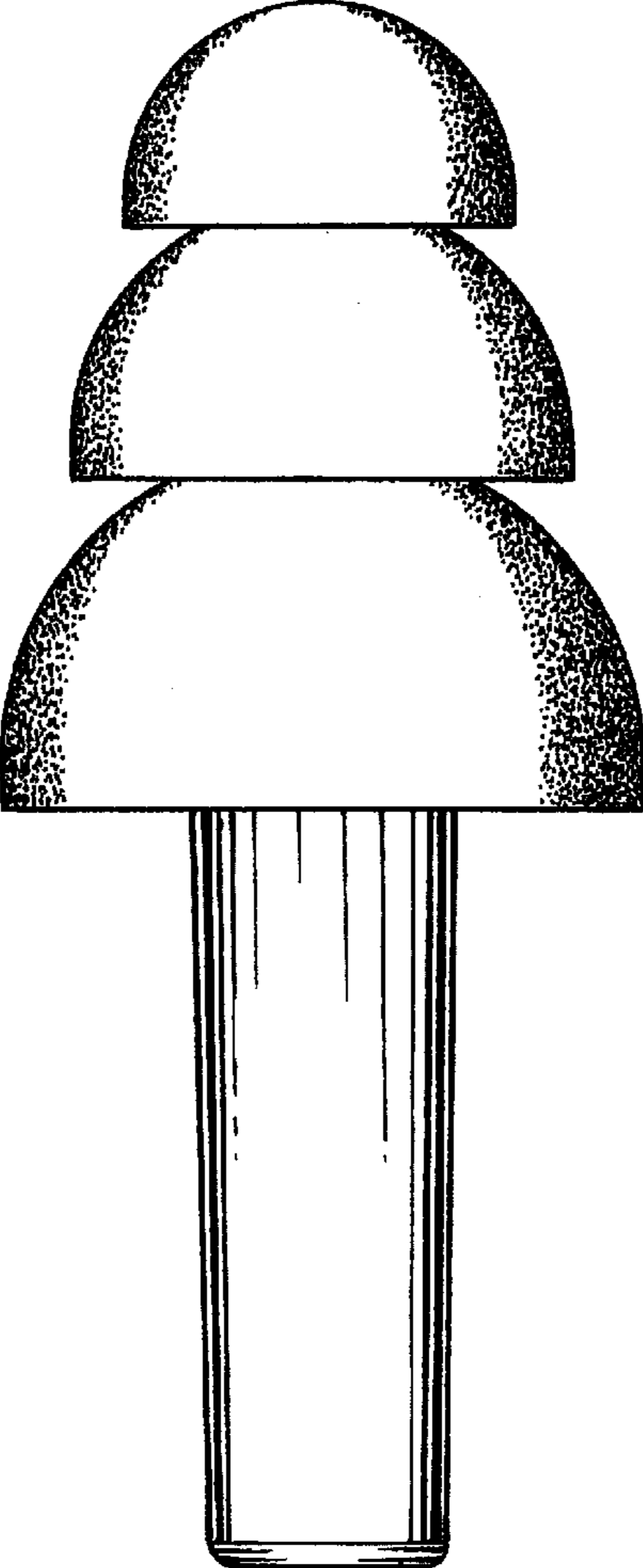


FIG. 2

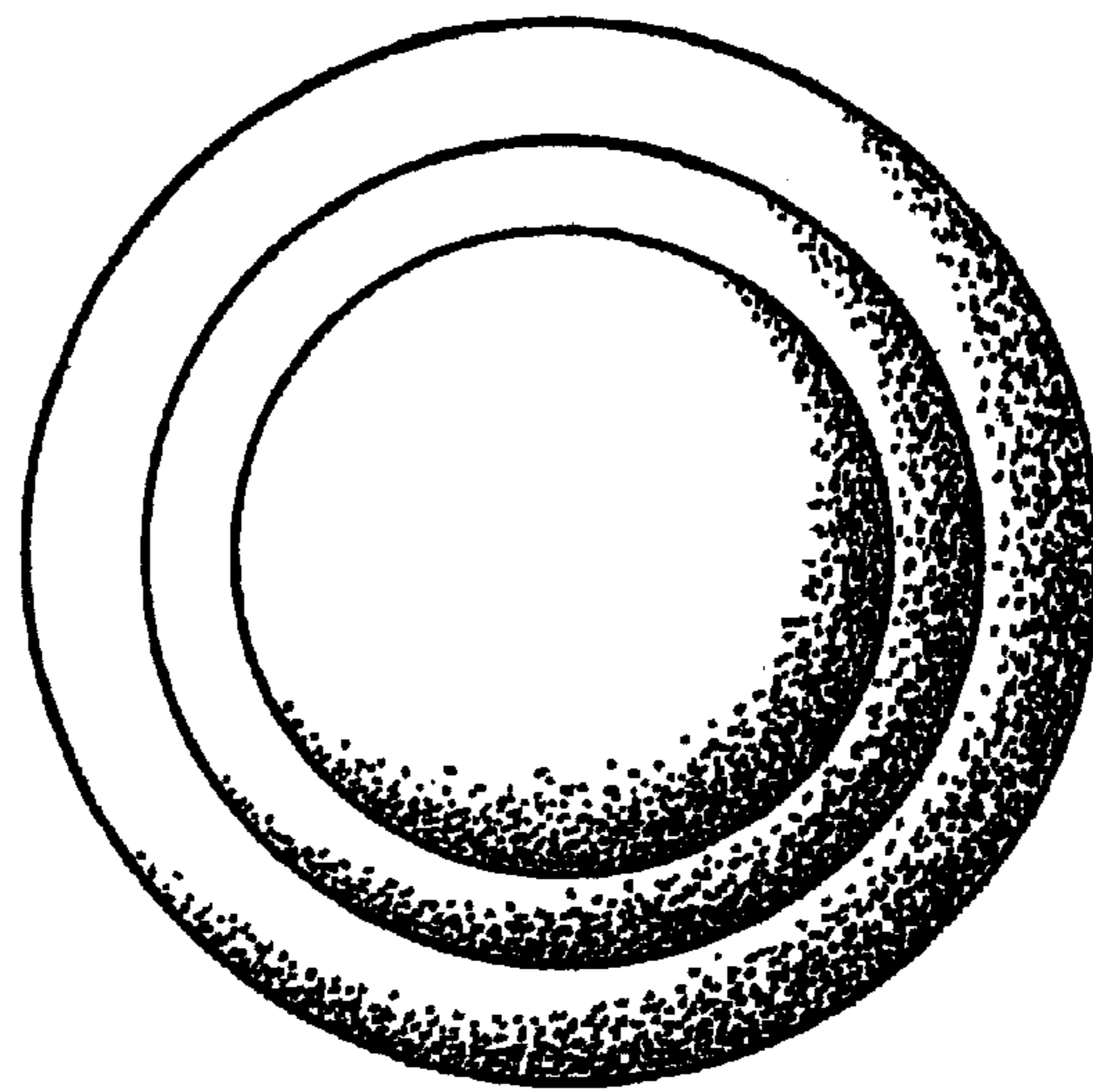


FIG. 3

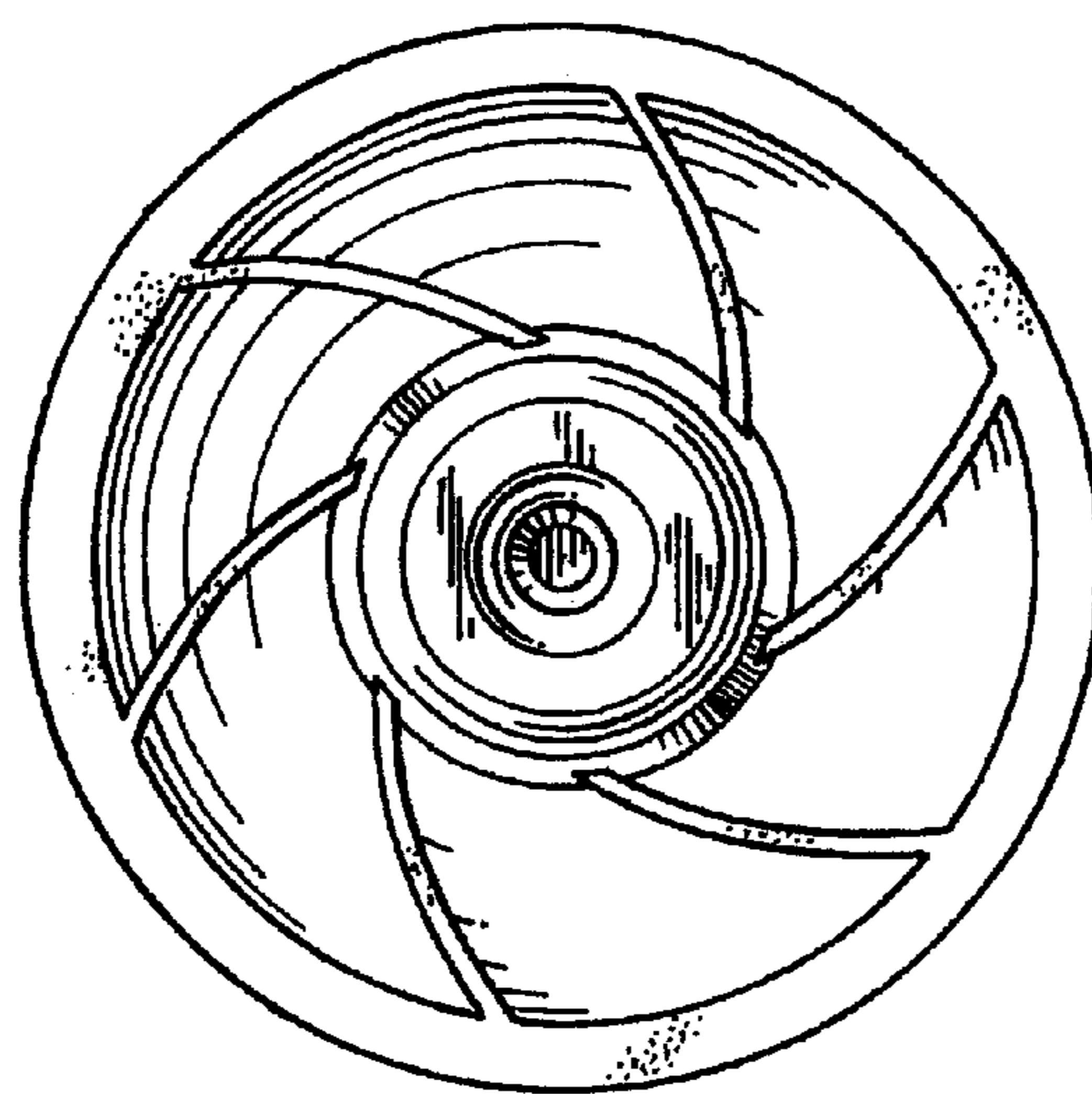


FIG. 4