

US00D492762S1

(12) **United States Design Patent** (10) **Patent No.:** **US D492,762 S**
Young (45) **Date of Patent:** **** Jul. 6, 2004**

(54) **COMBINATION CEILING FAN AND LIGHT FIXTURE**

(75) Inventor: **Stanfield Young**, Cypress, CA (US)

(73) Assignee: **Minka Lighting, Inc.**, Corona, CA (US)

(**) Term: **14 Years**

(21) Appl. No.: **29/180,948**

(22) Filed: **May 2, 2003**

(51) **LOC (7) Cl.** **23-04**

(52) **U.S. Cl.** **D23/377**

(58) **Field of Search** D23/411, 377,
D23/379, 385; 416/5; 392/364; D26/59,
72, 81-88

(56) **References Cited**

U.S. PATENT DOCUMENTS

D328,951 S	*	8/1992	Scofield et al.	D23/411
D369,405 S	*	4/1996	Holbrook	D23/411
D446,296 S		8/2001	Gajewski	D23/377
D448,840 S		10/2001	Gajewski	D23/377
D449,372 S		10/2001	Gajewski	D23/377
D449,682 S		10/2001	Gajewski	D23/377
D449,683 S		10/2001	Gajewski	D23/377
D450,832 S		11/2001	Gajewski	D23/377
D466,206 S		11/2002	Gajewski	D23/377
D475,782 S		6/2003	Hidalgo	D23/411
D476,406 S		6/2003	Friedes	D23/377
D476,408 S	*	6/2003	Hidalgo	D23/411
D476,411 S		6/2003	Friedes	D23/377
D477,397 S	*	7/2003	Chen	D23/411
D478,654 S		8/2003	Hidalgo	D23/413
D478,980 S		8/2003	Hidalgo	D23/411
D482,117 S		11/2003	Friedes	D23/377

OTHER PUBLICATIONS

Minka Aire Two Thousand Two; pp. 15, 16, 17, 40, 41, Apr. 22, 2002, Minka Lighting, Inc. USA.

Minka Aire Two Thousand Three; pp. 16, 17, 18, 19, 42, 43, Jan. 2003, Minka Lighting, Inc. USA.

Quorum Ceiling Fan Internet Catalog; Electra, Model # 17523-14; www.ceilingfan.com, Jul. 2, 2003, Quorum Ceiling Fan Co.

Quorum Ceiling Fan Internet Catalog; Prizzm, Model # 420525-12; www.ceilingfan.com, Jul. 2, 2003, Quorum Ceiling Fan Co.

* cited by examiner

Primary Examiner—Lisa Lichtenstein

(74) *Attorney, Agent, or Firm*—Jenkins & Gilchrist, P.C.

(57) **CLAIM**

The ornamental design for the combination ceiling fan and light fixture, as shown and described.

DESCRIPTION

FIG. 1 is a perspective view from below of the combination ceiling fan and light fixture in accordance with my design;

FIG. 2 is a reduced top plan view of the combination ceiling fan and light fixture in accordance with my design;

FIG. 3 is a reduced bottom plan view of the combination ceiling fan and light fixture in accordance with my design;

FIG. 4 is a side elevation view of the combination ceiling fan and light fixture in accordance with my design; and,

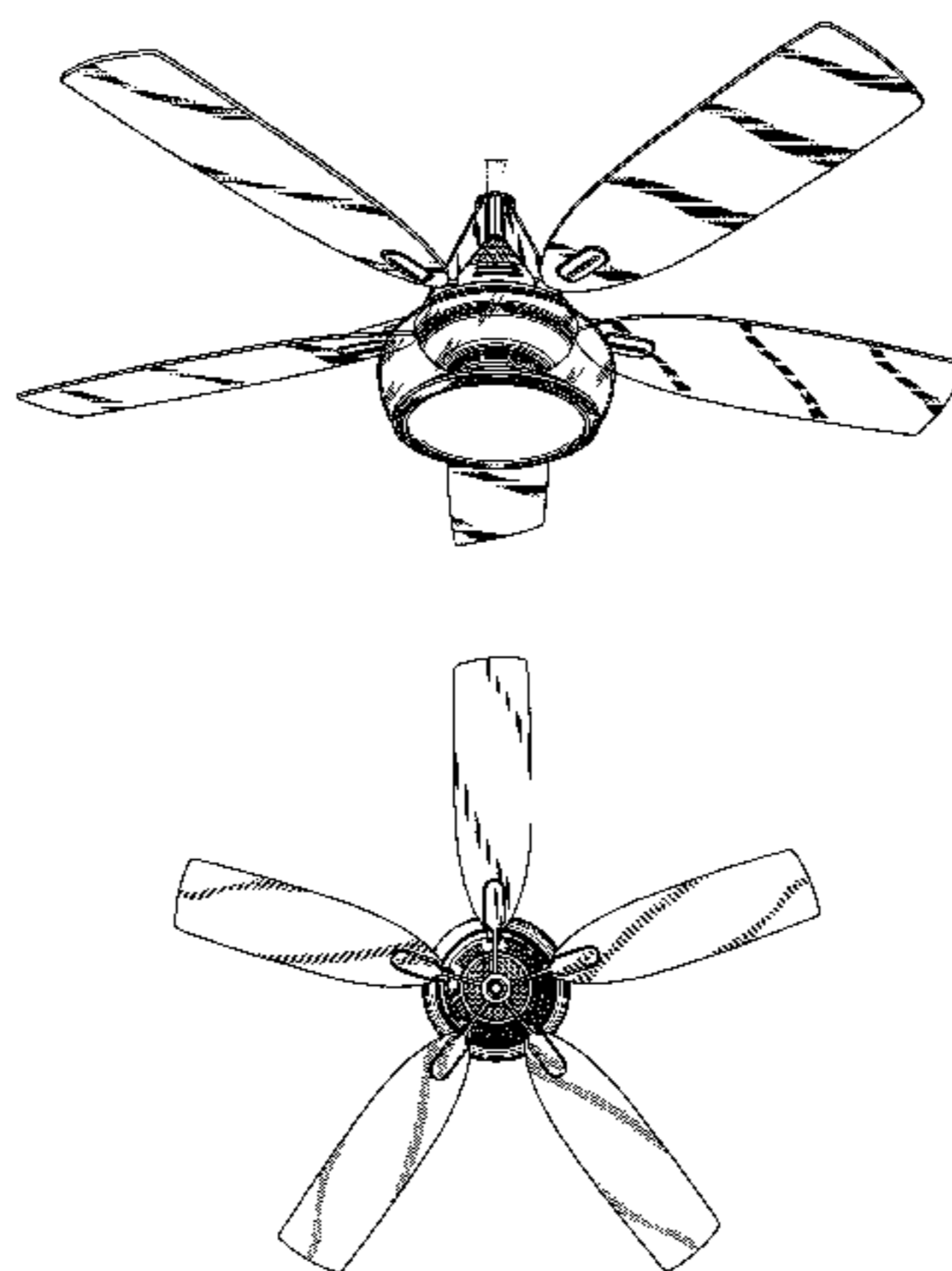
FIG. 5 is a front elevational view of the combination ceiling fan and light fixture in accordance with my design.

The right and left elevation views are identical except for positioning of the fan blades.

The front and back elevation views are identical except for positioning of the fan blades.

The broken lines showing environmental structure are for illustrative purposes only and form no part of the claimed design.

1 Claim, 4 Drawing Sheets



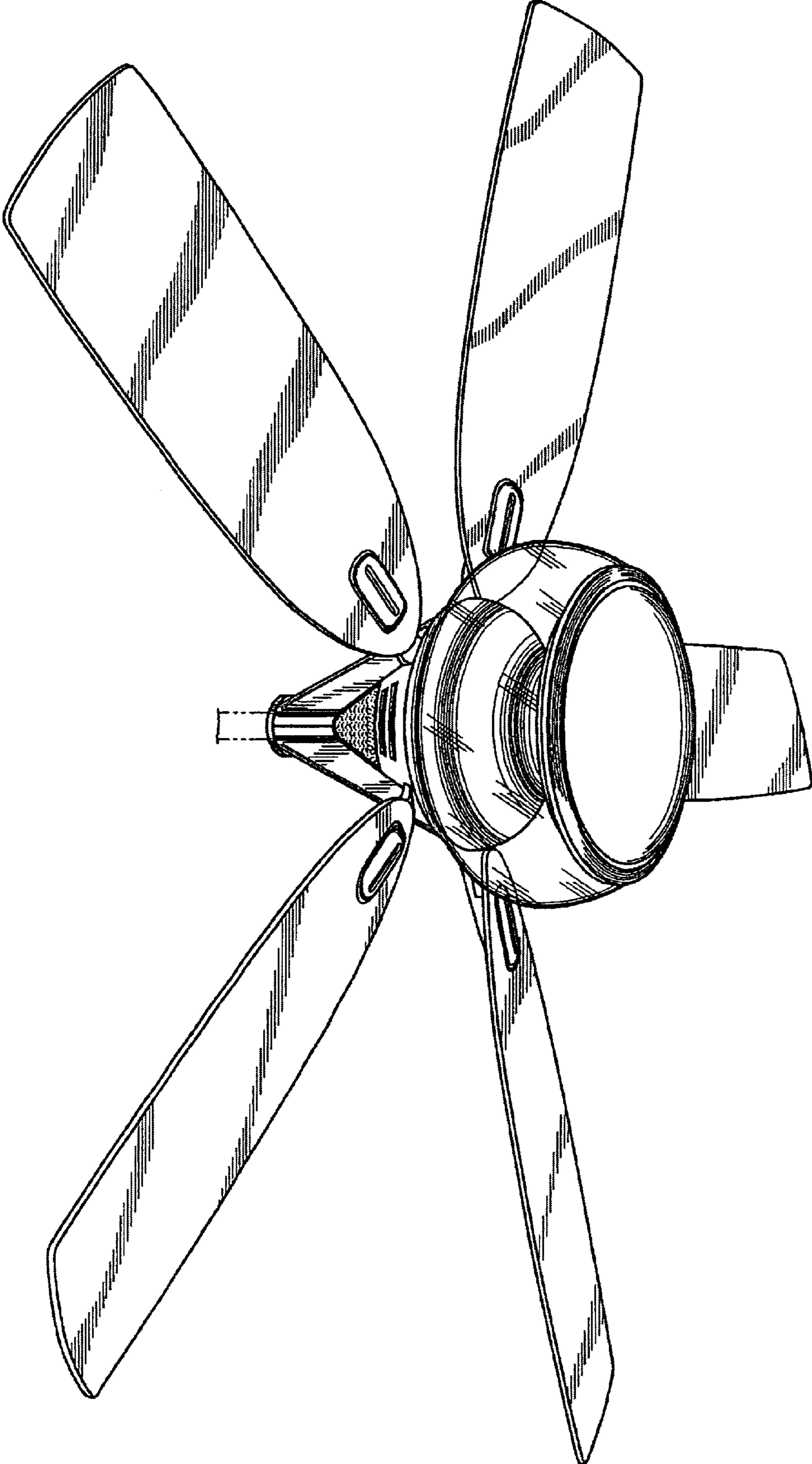


Fig. 1

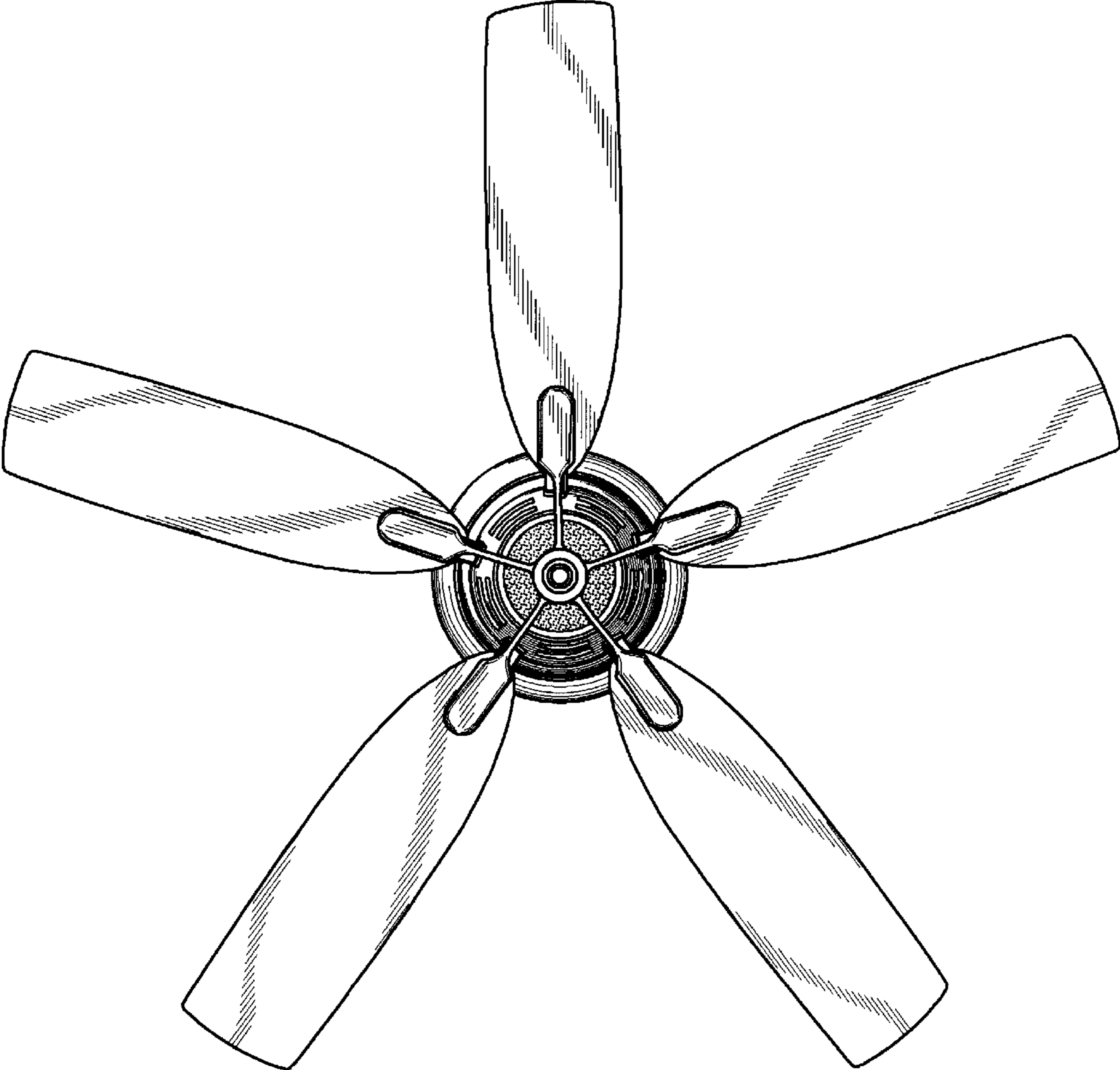


Fig.2

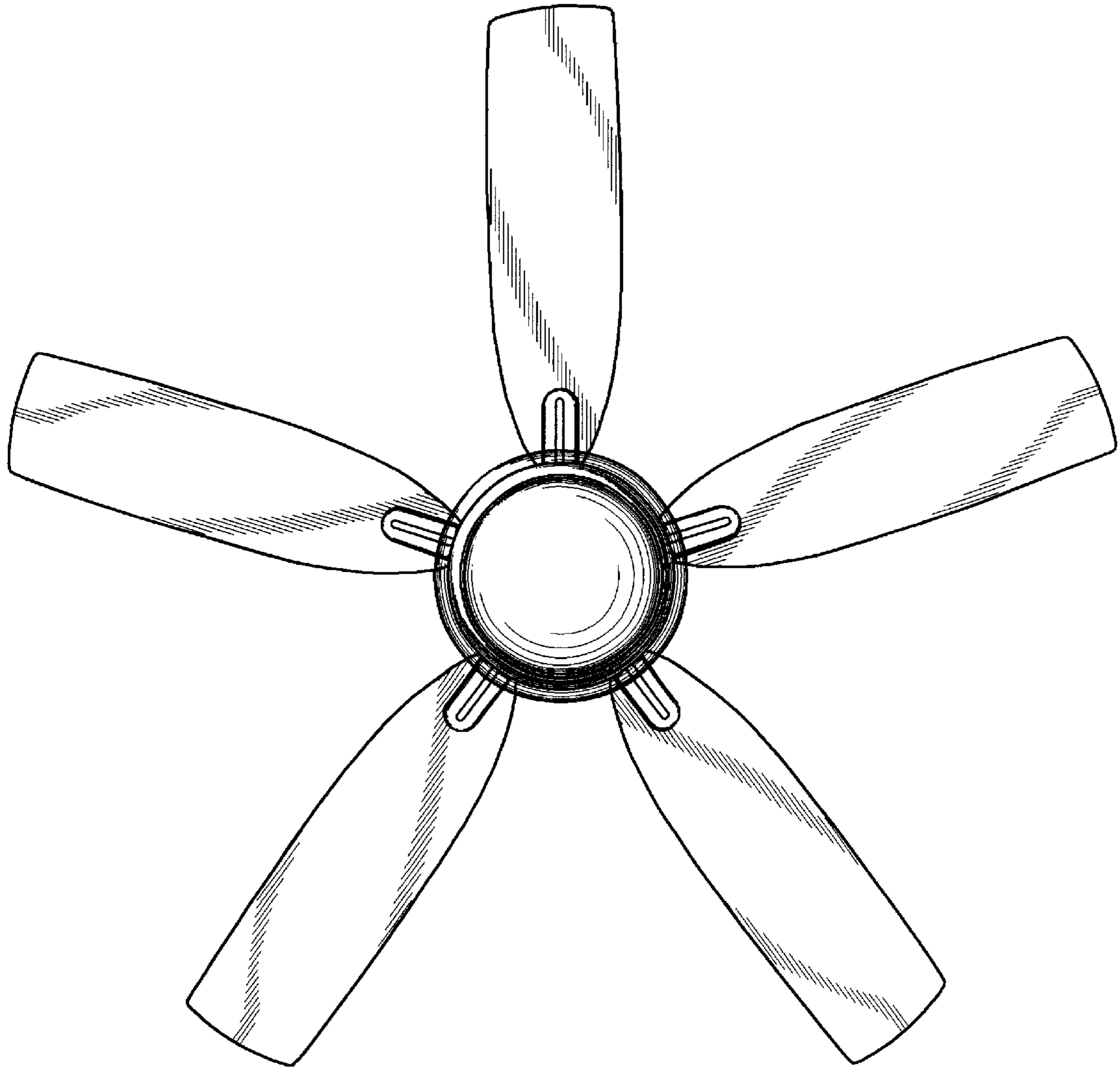


Fig. 3

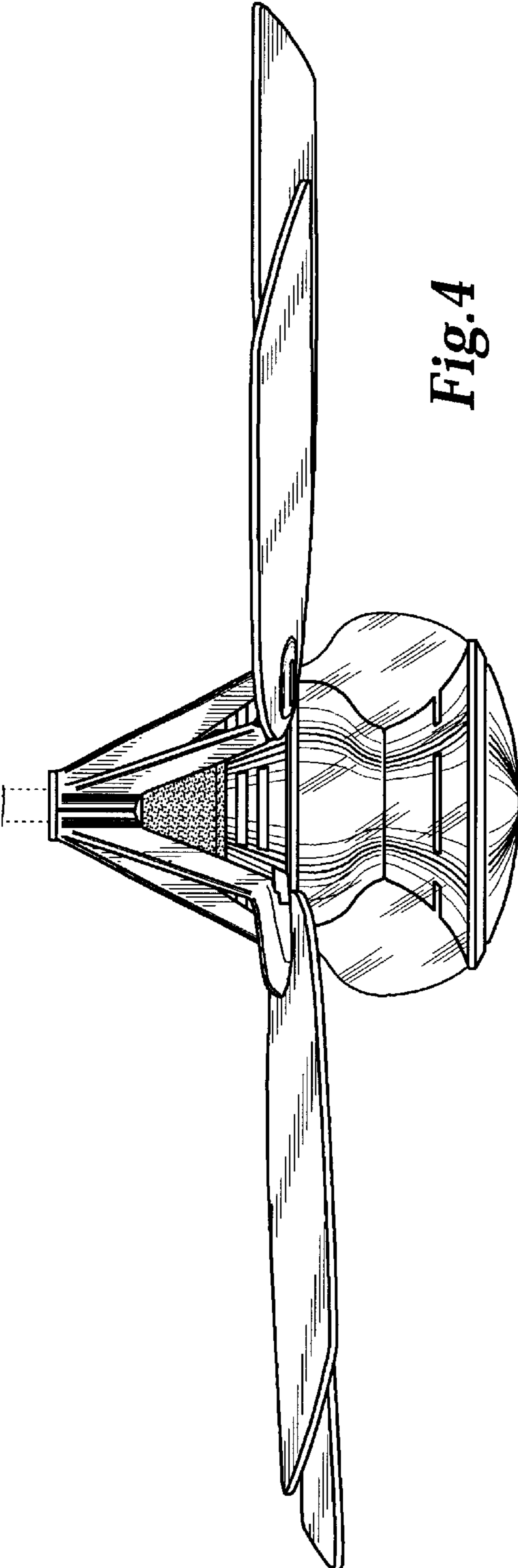


Fig. 4

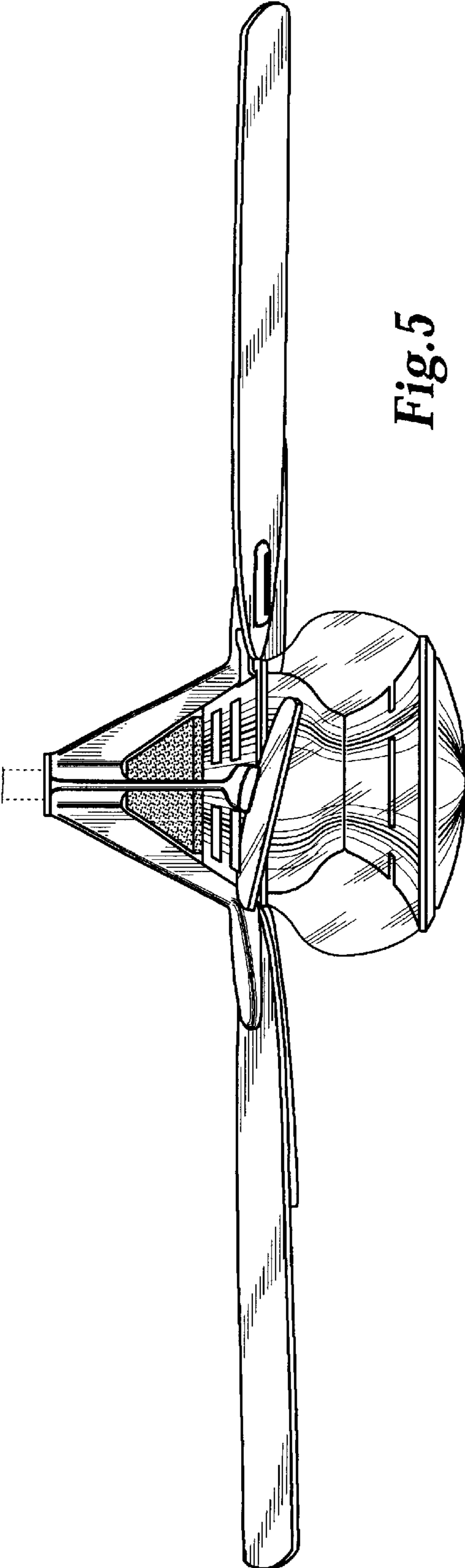


Fig. 5