

US00D492760S1

(12) **United States Design Patent** (10) **Patent No.:** **US D492,760 S**
Garman (45) **Date of Patent:** **** Jul. 6, 2004**

(54) **AIR PURIFIER**
 (75) Inventor: **Michael Garman**, Stafford, VA (US)
 (73) Assignee: **Hamilton Beach/Proctor-Silex, Inc.**,
 Glen Allen, VA (US)
 (**) Term: **14 Years**
 (21) Appl. No.: **29/186,516**
 (22) Filed: **Jul. 17, 2003**
 (51) **LOC (7) Cl.** **23-04**
 (52) **U.S. Cl.** **D23/364**
 (58) **Field of Search** D23/355, 364,
 D23/365; 55/356, 471-3; D14/125-6

D449,097 S 10/2001 Smith et al.
 D451,181 S 11/2001 Miwa
 D456,070 S * 4/2002 Garman D23/364
 D459,457 S 6/2002 Pillion et al.
 D459,458 S * 6/2002 Pillion et al. D23/364
 6,425,932 B1 7/2002 Huehn et al.
 6,447,587 B1 9/2002 Pillion et al.
 6,464,760 B1 10/2002 Sham et al.
 D465,275 S * 11/2002 Garman D23/364
 6,494,940 B1 12/2002 Hak
 D468,820 S 1/2003 Smith et al.
 6,508,868 B2 1/2003 Pillion et al.
 2001/0029728 A1 10/2001 Massey et al.
 2002/0073664 A1 6/2002 Campbell et al.
 2002/0088213 A1 7/2002 McSweeney et al.

* cited by examiner

Primary Examiner—Robin V. Taylor
 (74) *Attorney, Agent, or Firm*—Akin Gump Strauss Hauer
 & Feld, LLP

(56) **References Cited**
 U.S. PATENT DOCUMENTS

D323,210 S 1/1992 Wortham
 D328,637 S 8/1992 Muller et al.
 D350,191 S 8/1994 Tsuji
 5,407,469 A 4/1995 Sun
 D379,220 S 5/1997 Ellwood
 D394,100 S 5/1998 Promseeda
 5,800,583 A 9/1998 Pippel et al.
 D402,745 S 12/1998 Termeer et al.
 D402,746 S 12/1998 Clark et al.
 D411,001 S * 6/1999 Pinchuk D23/364
 D414,854 S 10/1999 Omaki et al.
 6,017,375 A 1/2000 Duell et al.
 6,030,426 A 2/2000 Stopyra et al.
 6,036,757 A 3/2000 Gatchell et al.
 D433,493 S 11/2000 Runyan et al.
 D434,128 S 11/2000 Huang
 D434,129 S 11/2000 Huang
 D435,097 S 12/2000 Huang
 D437,037 S 1/2001 Deros et al.
 6,214,074 B1 4/2001 Silveira et al.

(57) **CLAIM**

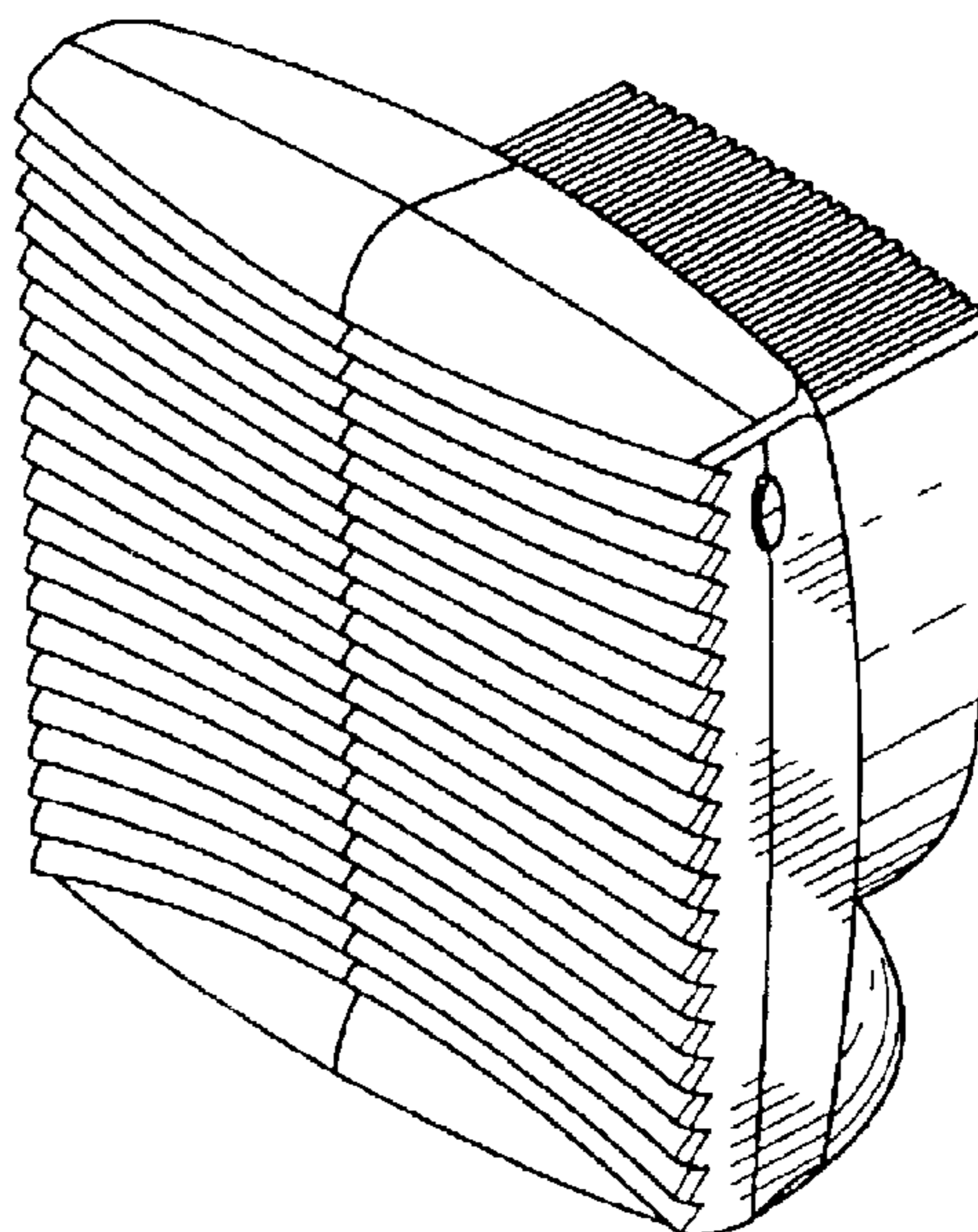
The ornamental design for an air purifier, as shown and described.

DESCRIPTION

FIG. 1 is a front perspective view of an air cleaner in accordance with my new design;
 FIG. 2 is a front elevational view thereof;
 FIG. 3 is a rear elevational view thereof;
 FIG. 4 is a right-side elevational view thereof;
 FIG. 5 is a left-side elevational view thereof;
 FIG. 6 is a top plan view thereof; and,
 FIG. 7 is a bottom view thereof.

The broken lines in the figures are for illustrative purposes only and form no part of the claimed design.

1 Claim, 3 Drawing Sheets



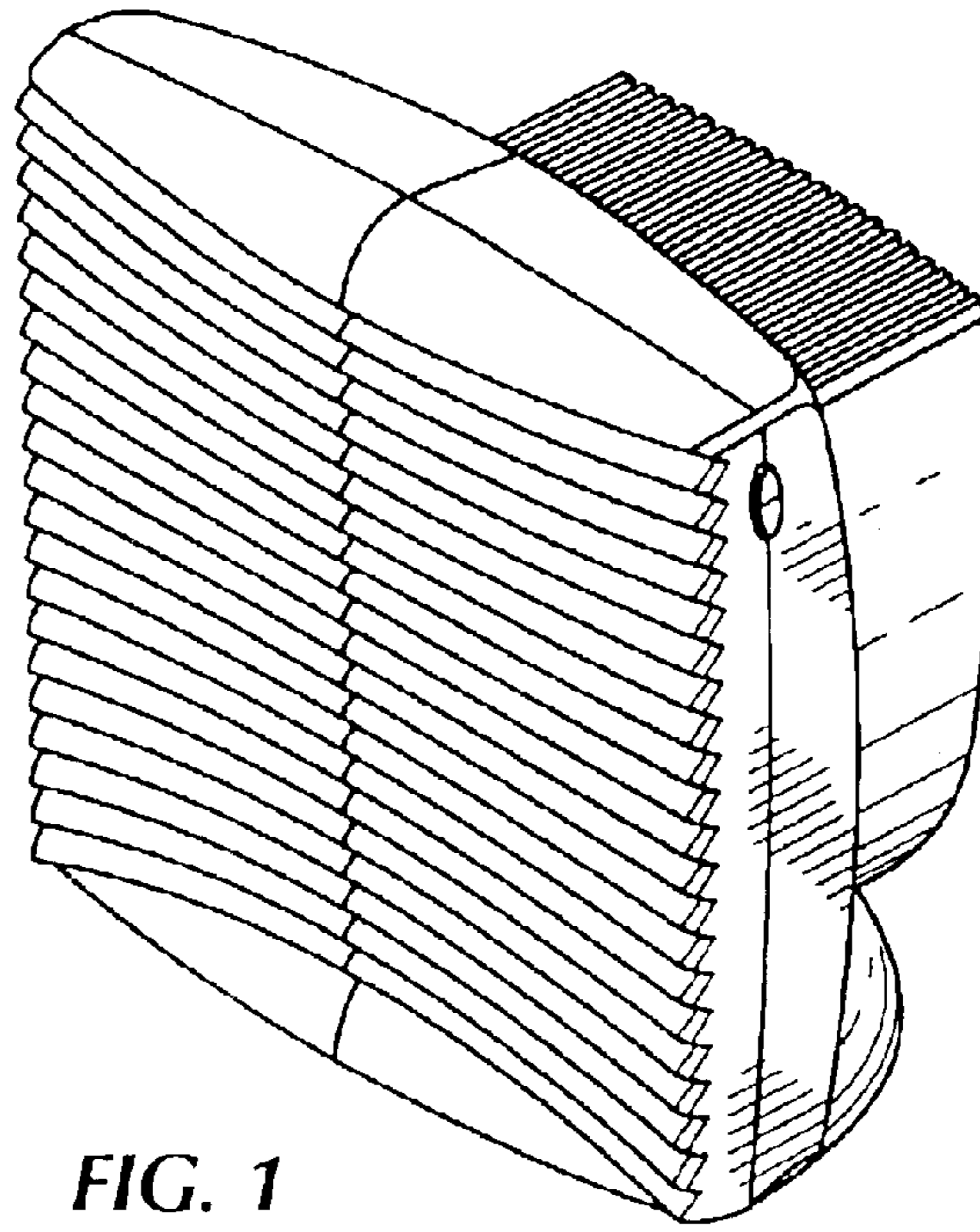


FIG. 1

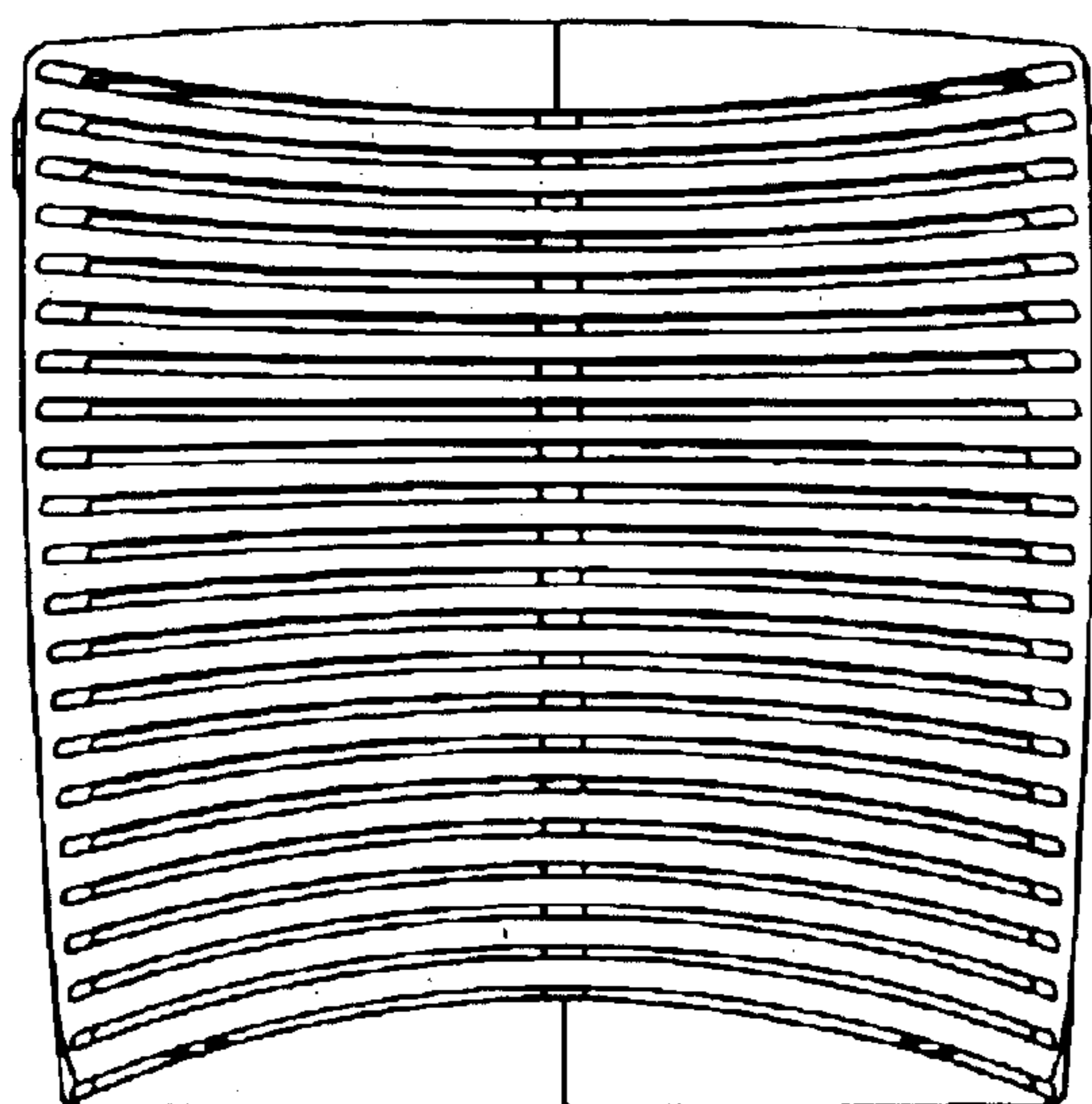


FIG. 2

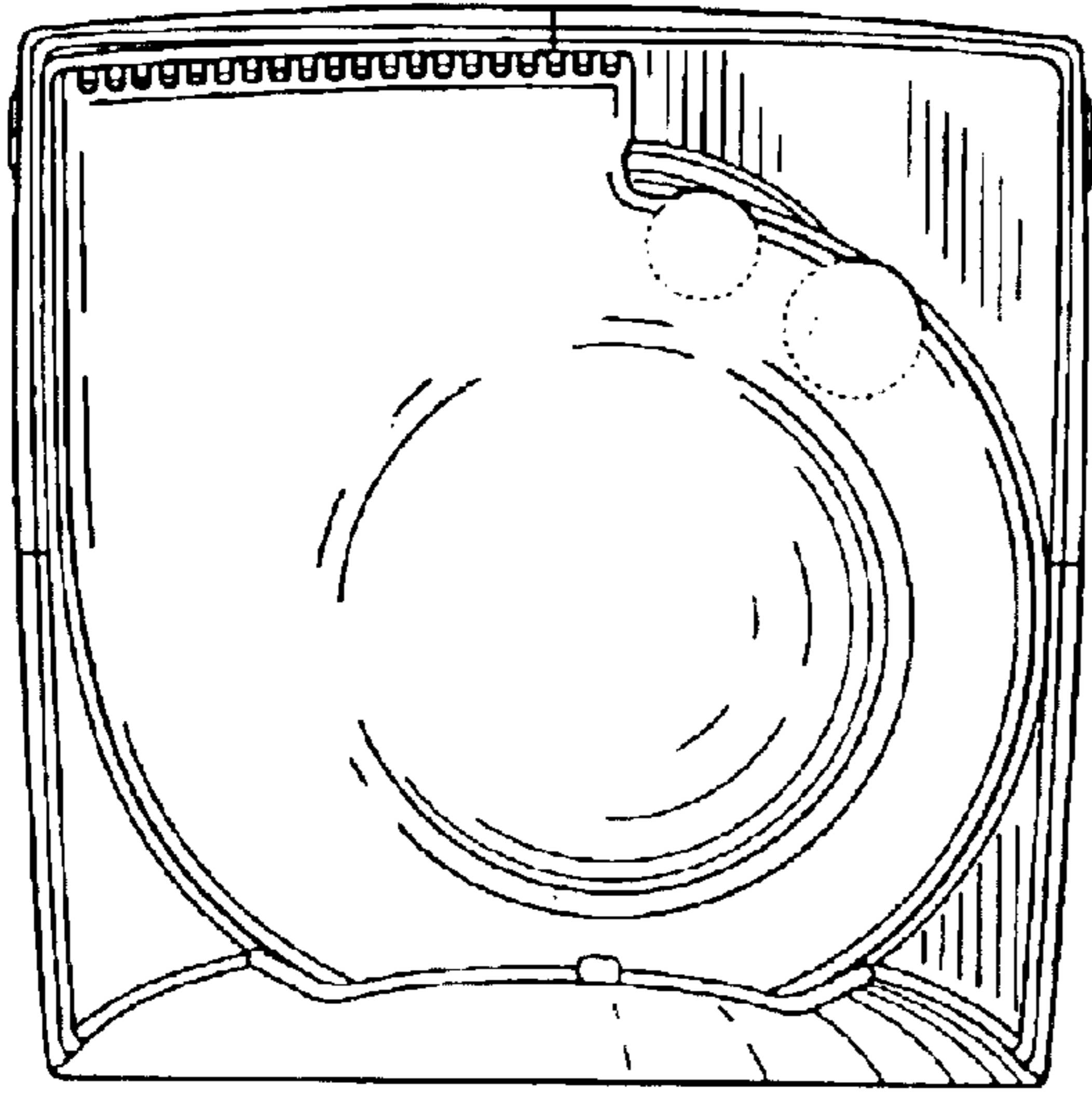


FIG. 3

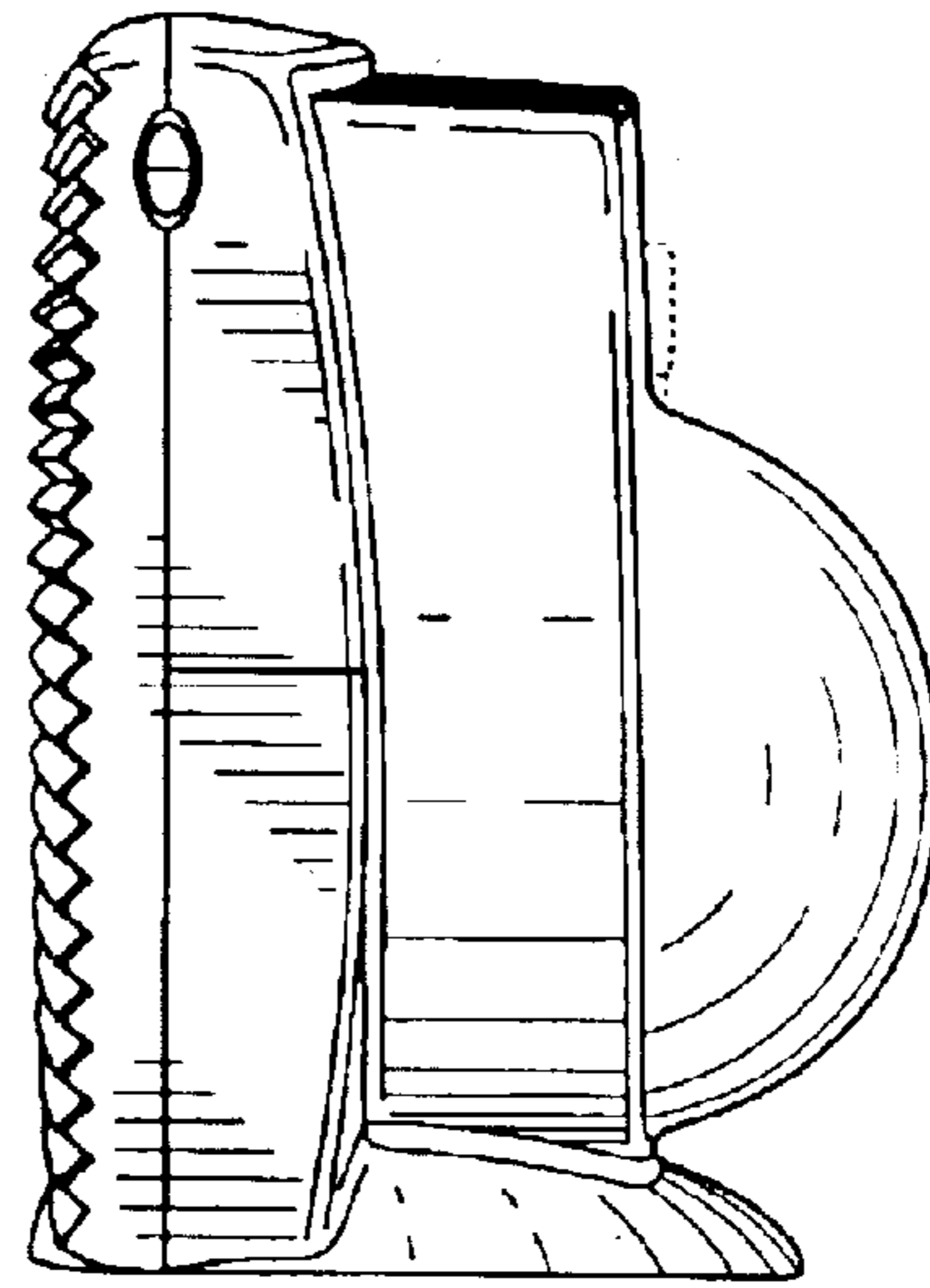


FIG. 4

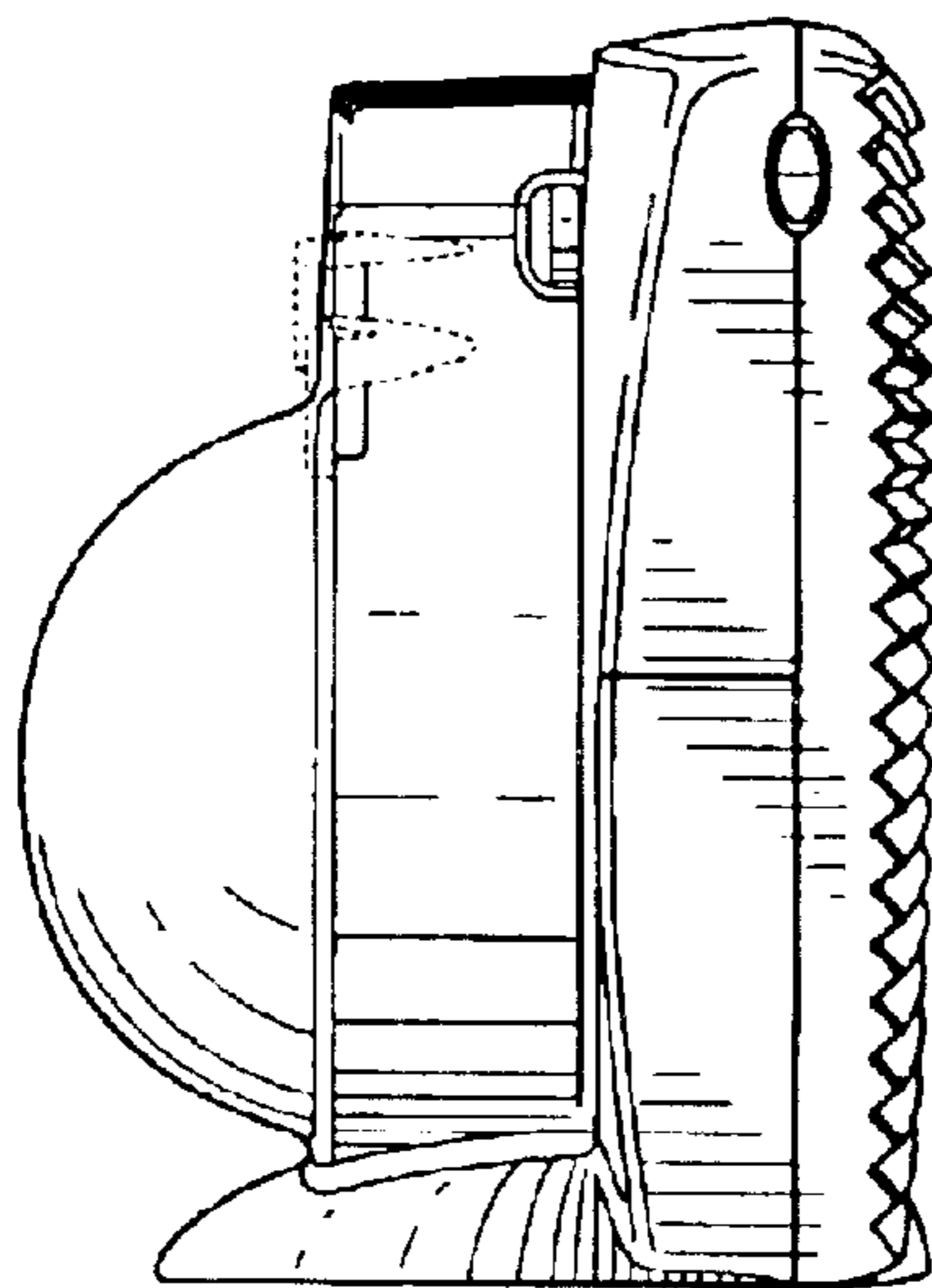


FIG. 5

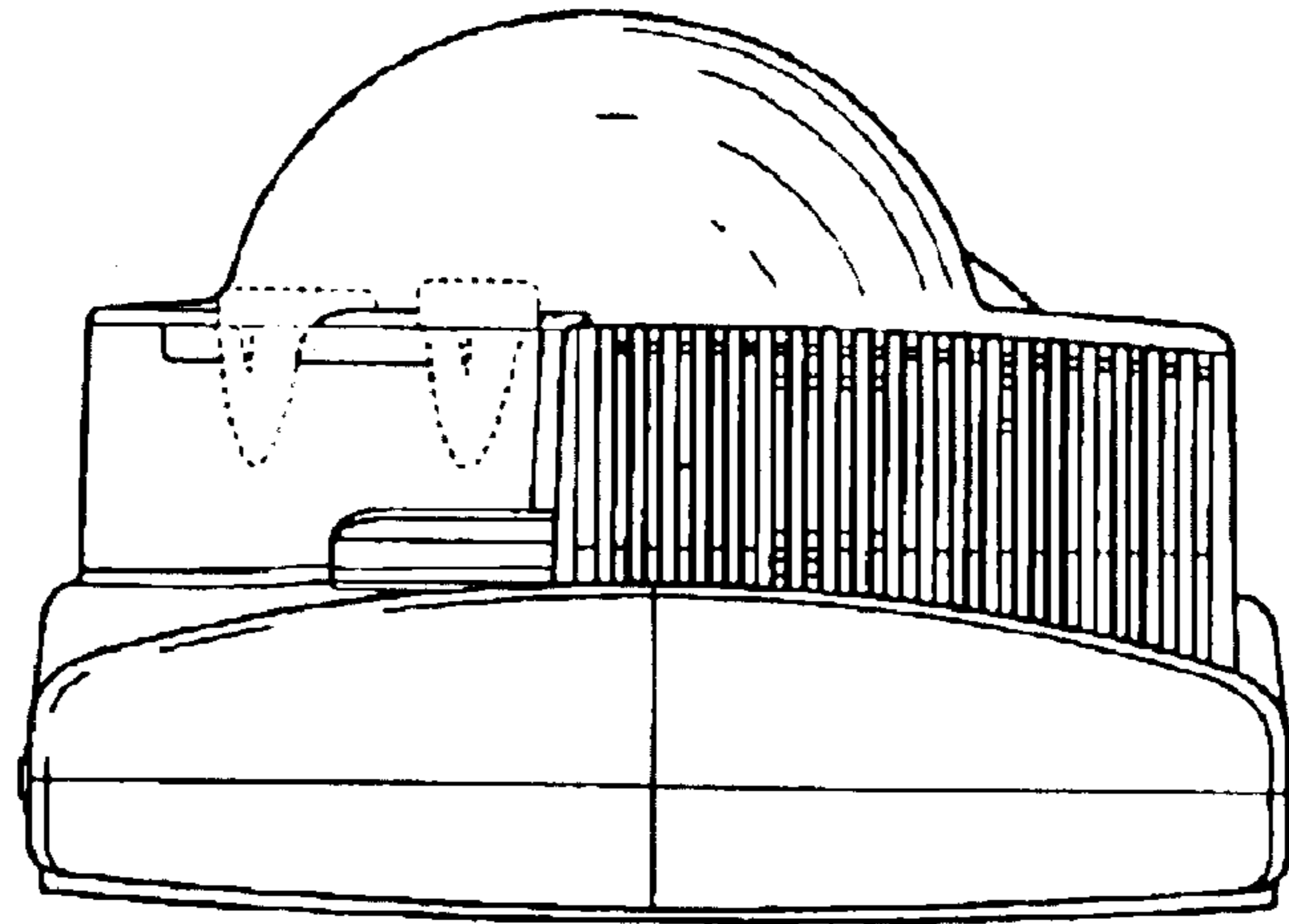


FIG. 6

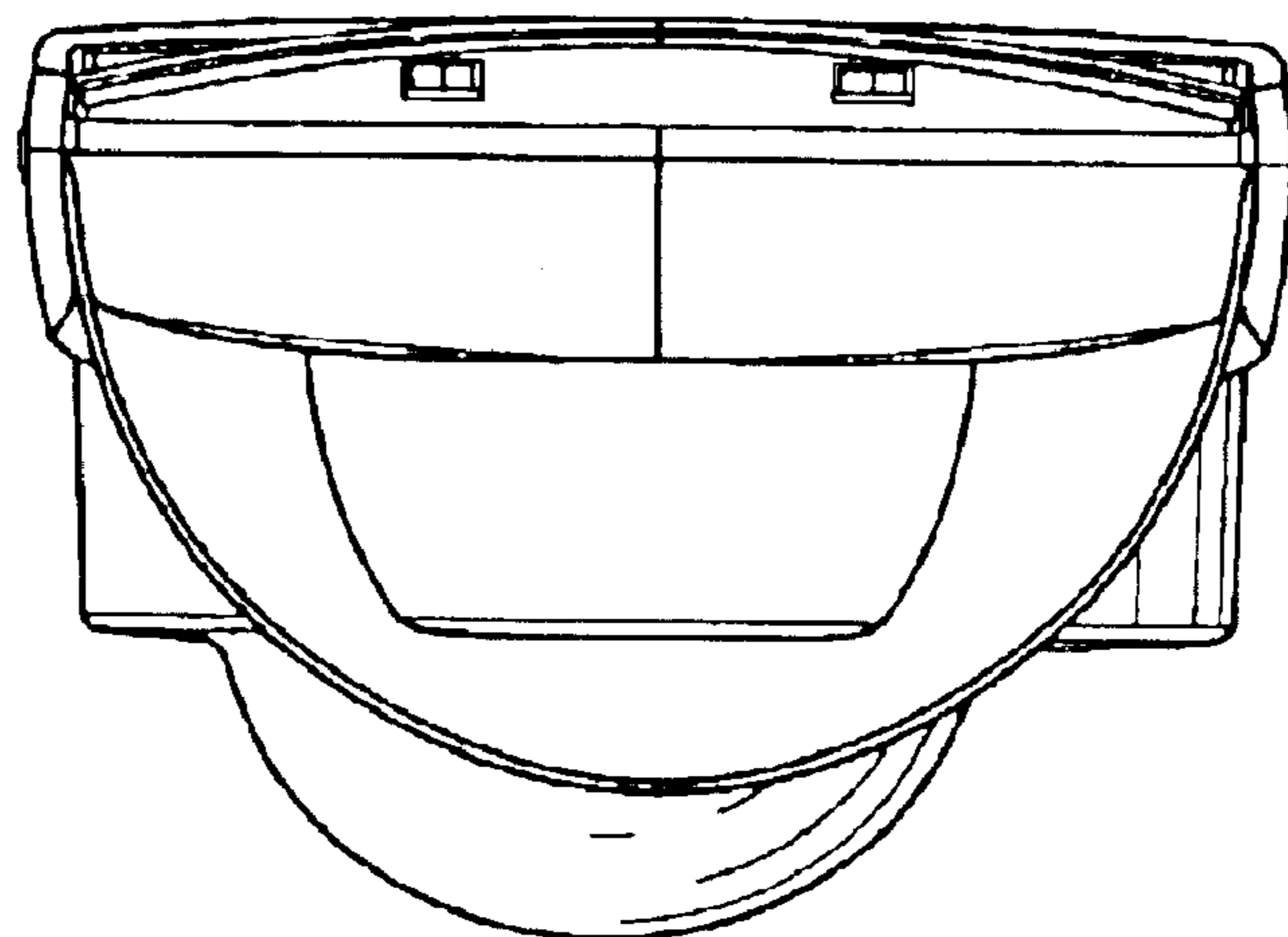


FIG. 7