

US00D492759S1

(12) **United States Design Patent**  
**Yoshida**

(10) **Patent No.:** **US D492,759 S**  
(45) **Date of Patent:** **\*\* Jul. 6, 2004**

(54) **AIR CLEANER**

(75) **Inventor:** **Kazuhiro Yoshida, Togane (JP)**  
(73) **Assignee:** **Maruyama Mfg. Co., Inc., Tokyo (JP)**  
(\*\*) **Term:** **14 Years**

(21) **Appl. No.:** **29/180,083**  
(22) **Filed:** **Apr. 21, 2003**

(30) **Foreign Application Priority Data**  
Jan. 20, 2003 (JP) ..... D2003-001177

(51) **LOC (7) Cl.** ..... **23-04**

(52) **U.S. Cl.** ..... **D23/364**

(58) **Field of Search** ..... D23/355, 356,  
D23/364, 365; 55/385.3, 504, 473

(56) **References Cited**

**U.S. PATENT DOCUMENTS**

4,425,145 A \* 1/1984 Reese ..... 55/385.3  
5,730,768 A \* 3/1998 Kaminaga et al. .... 55/385.3  
6,174,343 B1 \* 1/2001 Bloomer ..... 55/385.3

**FOREIGN PATENT DOCUMENTS**

JP H9(1997)-939 8/1998

\* cited by examiner

*Primary Examiner*—Robin V. Taylor

(74) *Attorney, Agent, or Firm*—Leydig, Voit & Mayer, Ltd.

(57) **CLAIM**

The ornamental design for an air cleaner, as shown and described.

**DESCRIPTION**

FIG. 1 is a rear perspective view of an air cleaner of the present invention.

FIG. 2 is a front perspective view of the air cleaner of FIG. 1.

FIG. 3 is a rear view of the air cleaner of FIG. 1.

FIG. 4 is a front view of the air cleaner of FIG. 1.

FIG. 5 is a left side view of the air cleaner of FIG. 1.

FIG. 6 is a right side view of the air cleaner of FIG. 1.

FIG. 7 is a plan view of the air cleaner of FIG. 1.

FIG. 8 is a bottom view of the air cleaner of FIG. 1; and,

FIG. 9 is a front view of the air cleaner of FIG. 1 in use.

The broken line showing of is for illustrative purposes only and forms no part of the claimed design.

**1 Claim, 5 Drawing Sheets**

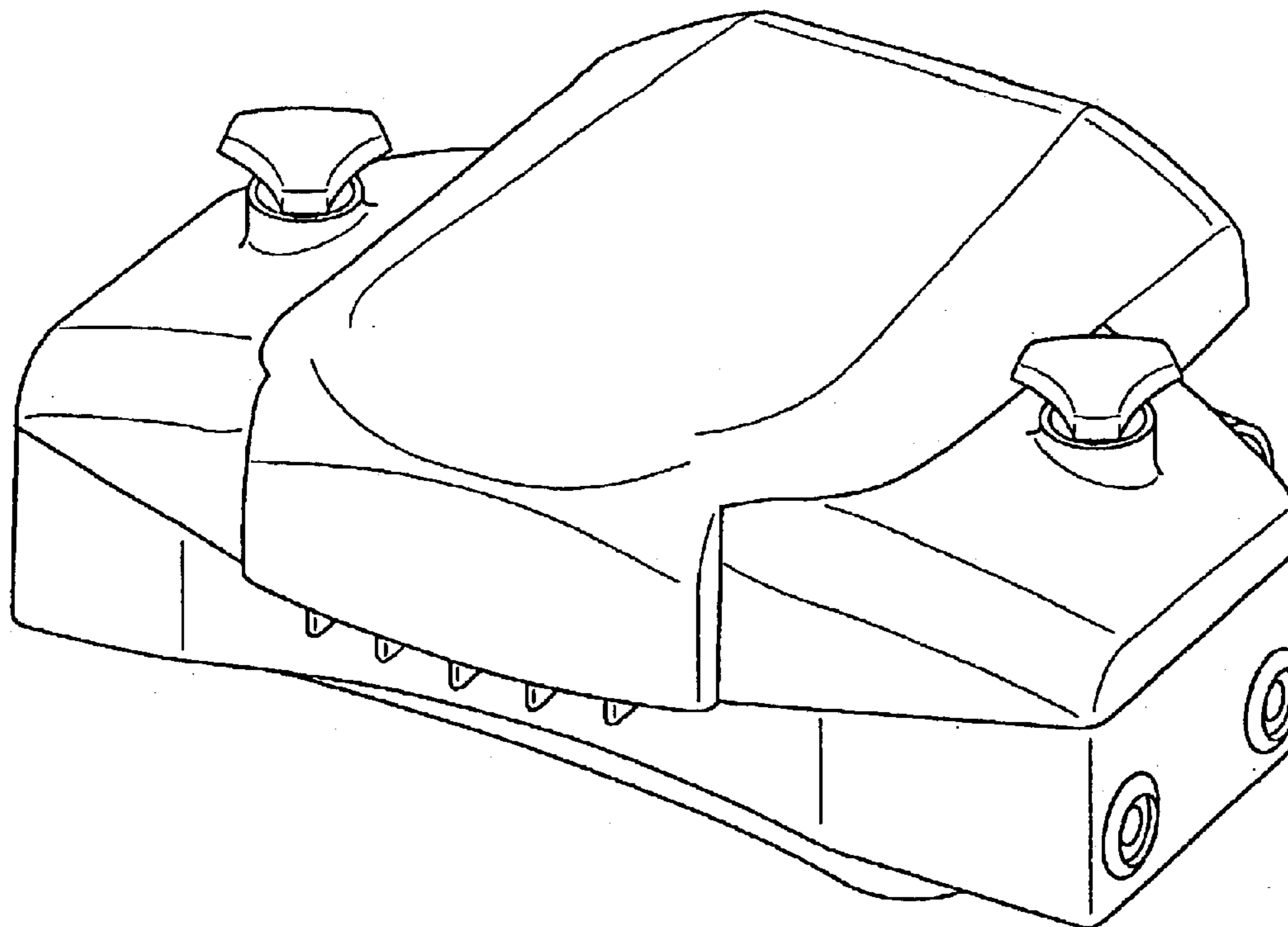


FIG. 1

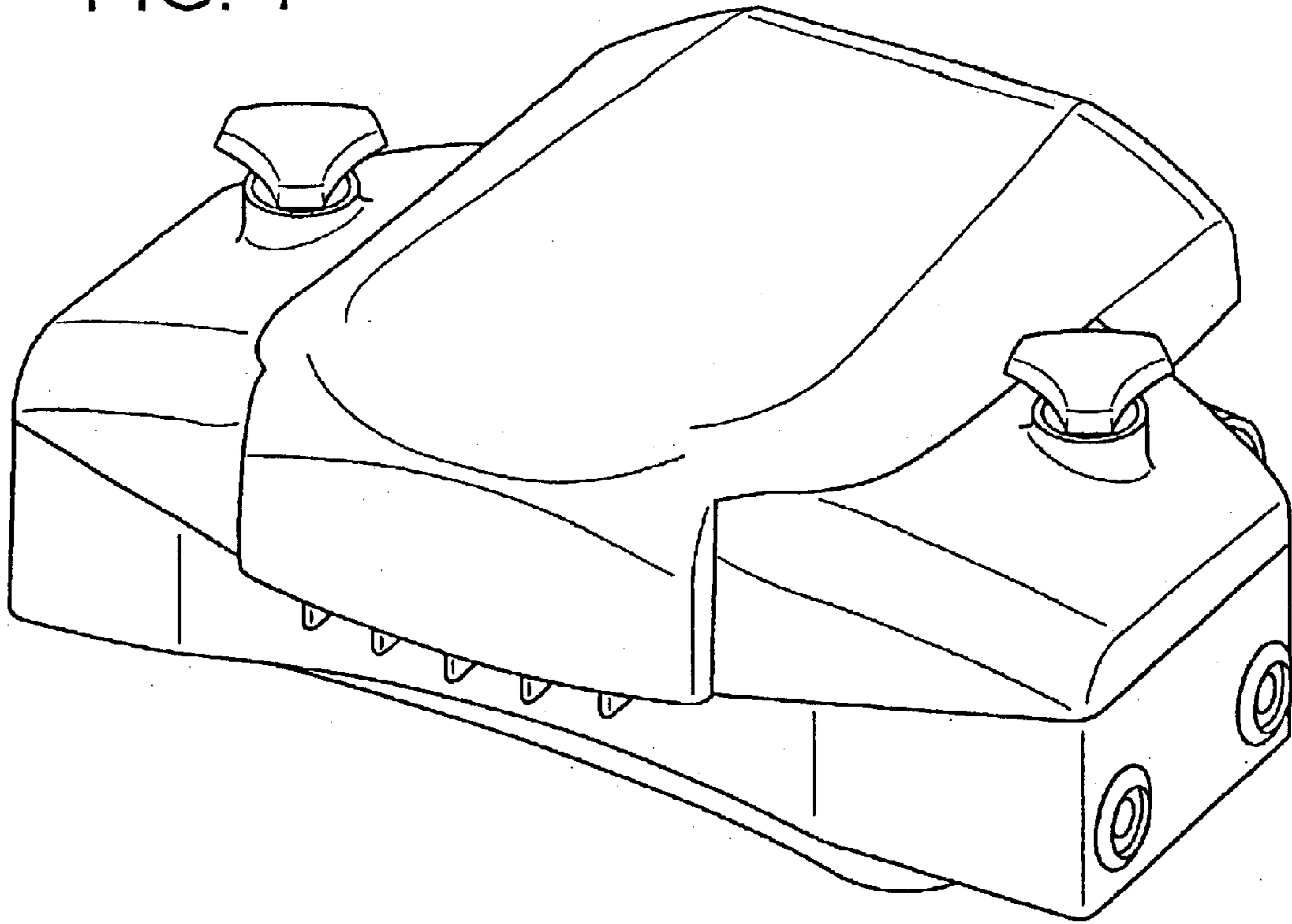


FIG. 2

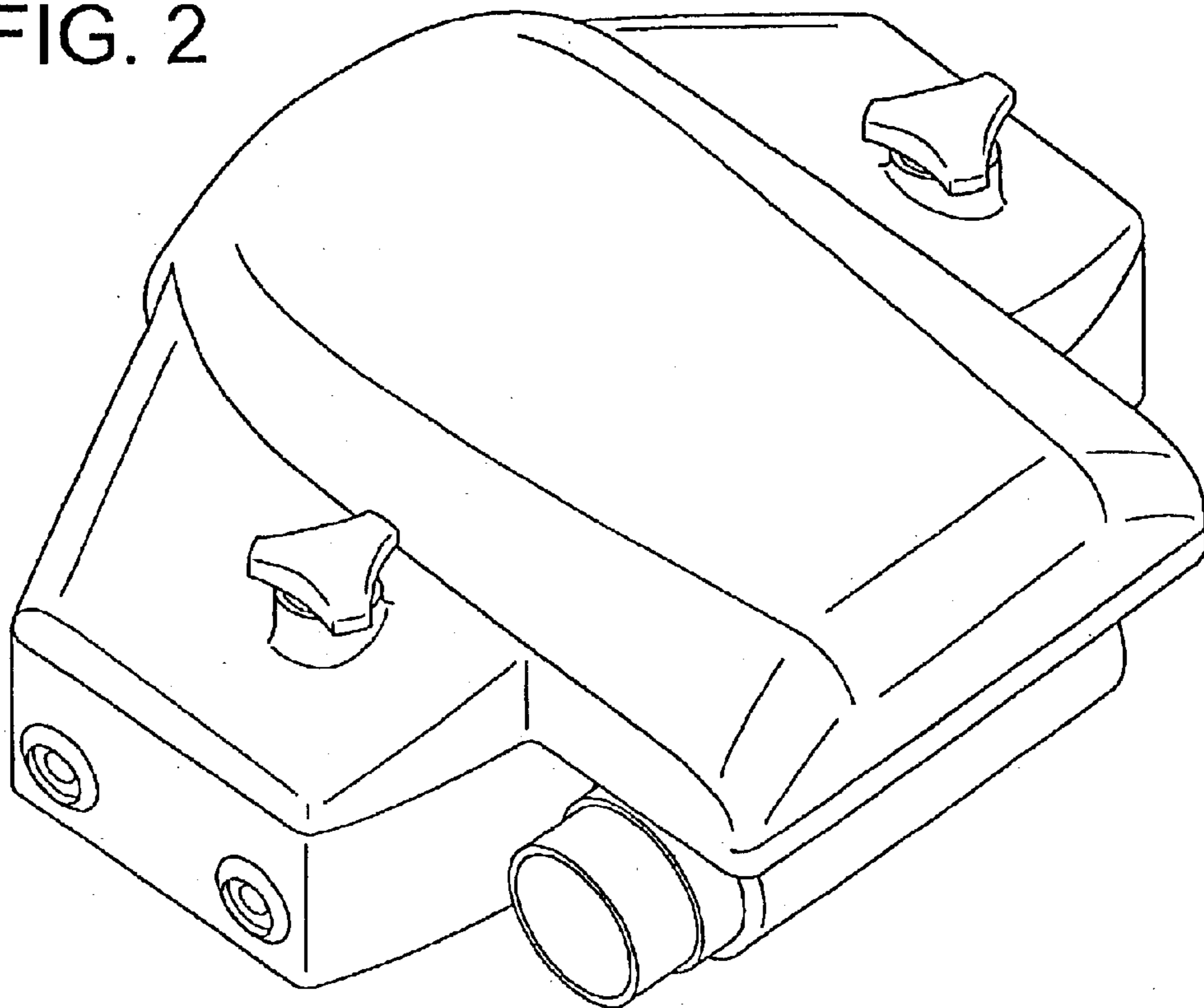


FIG. 3

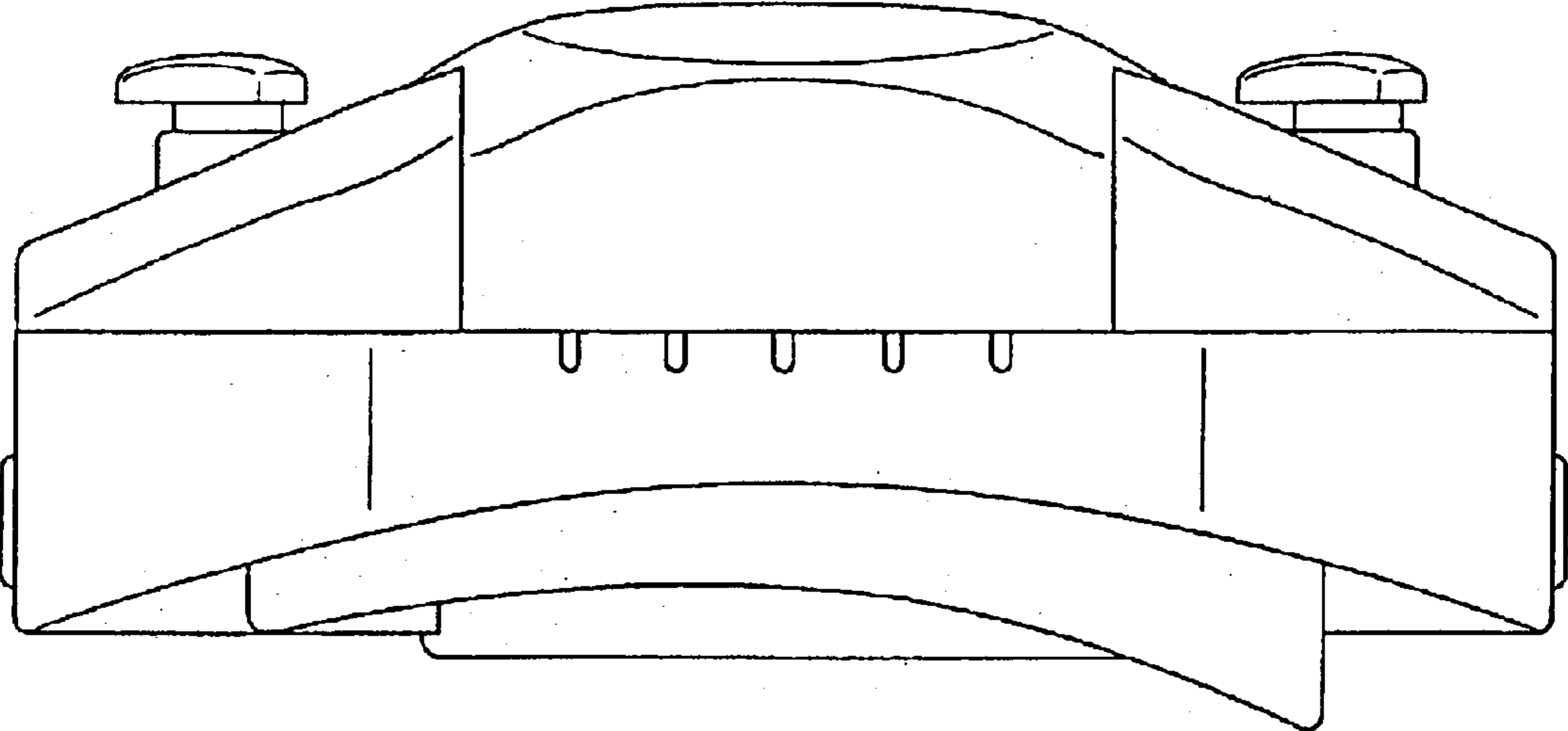


FIG. 4

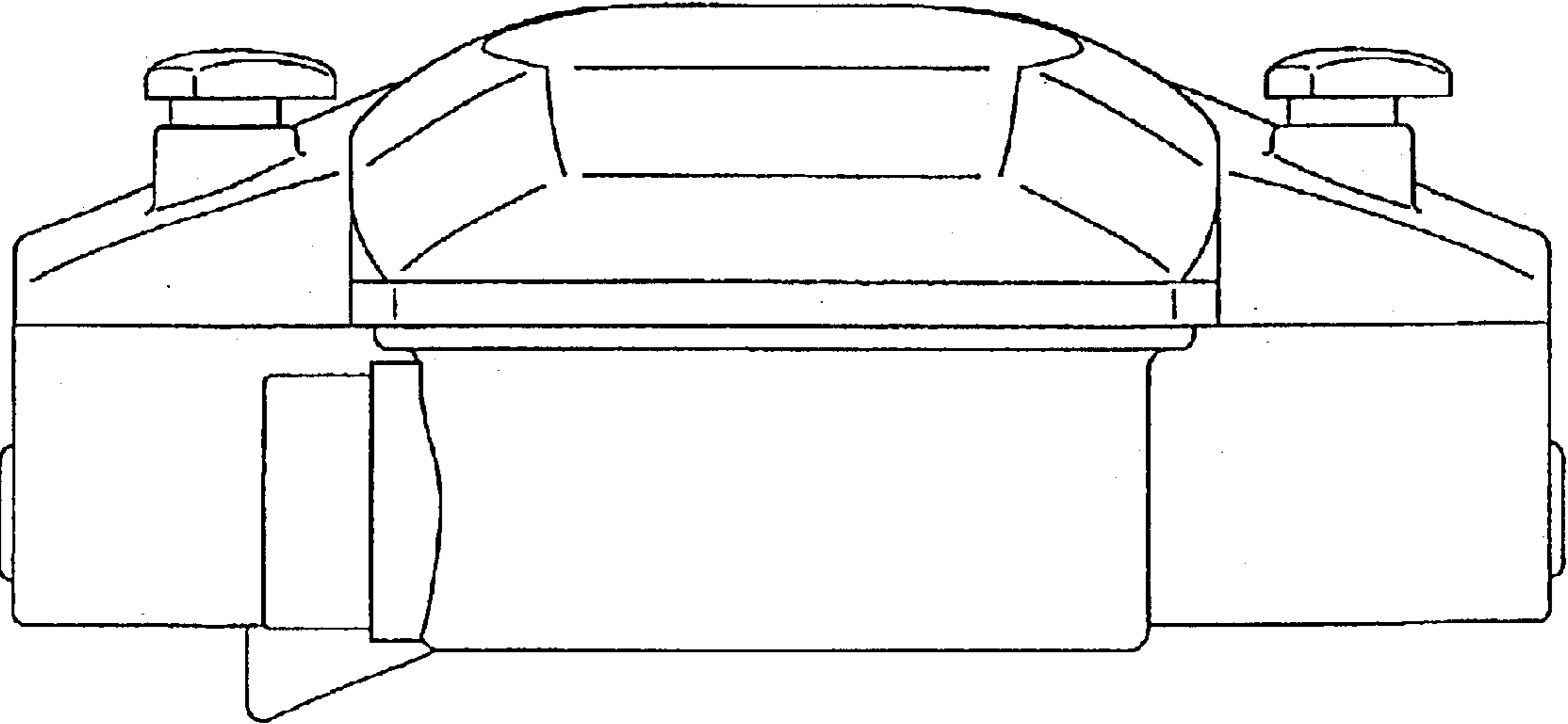


FIG. 5

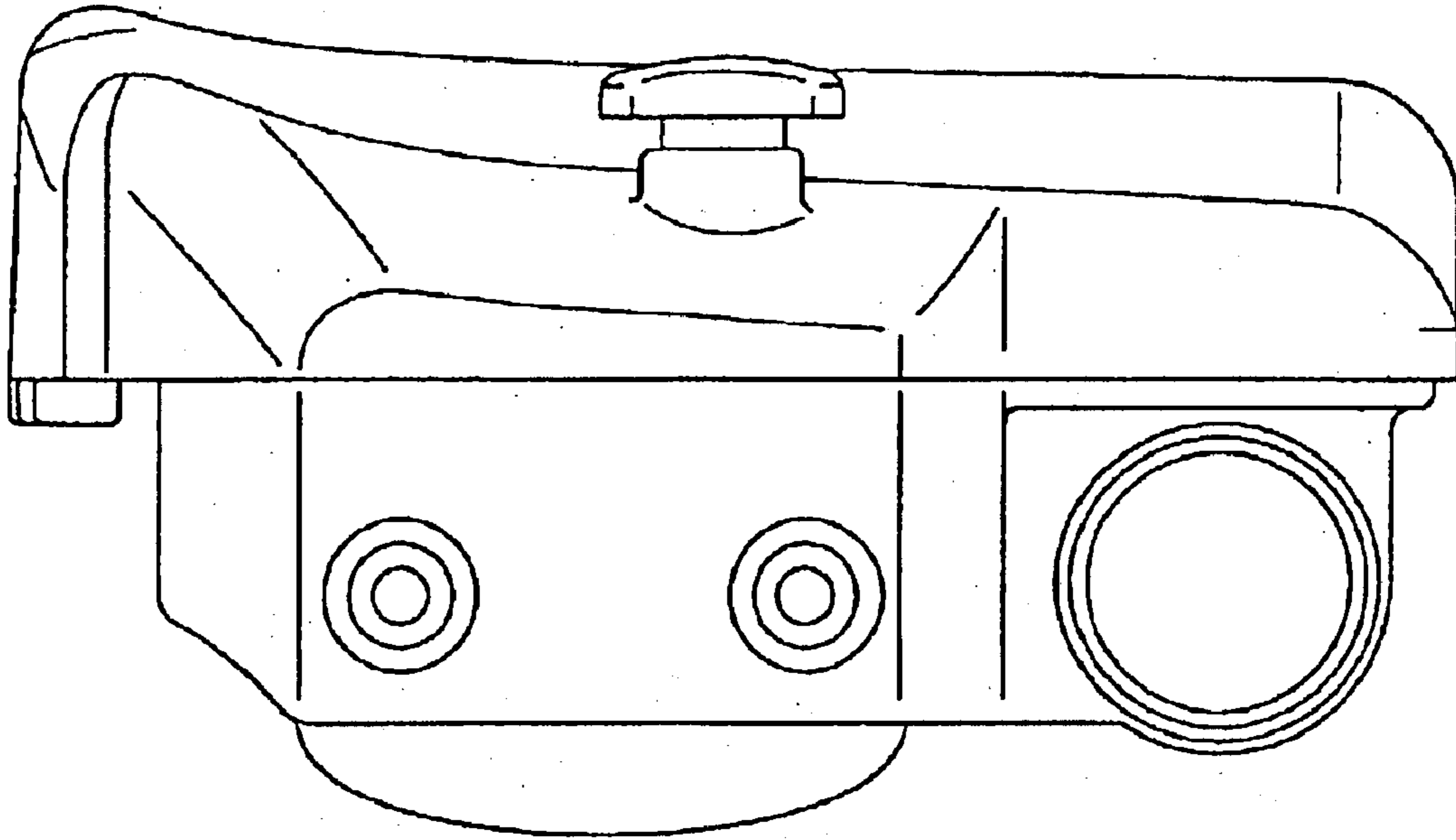


FIG. 6

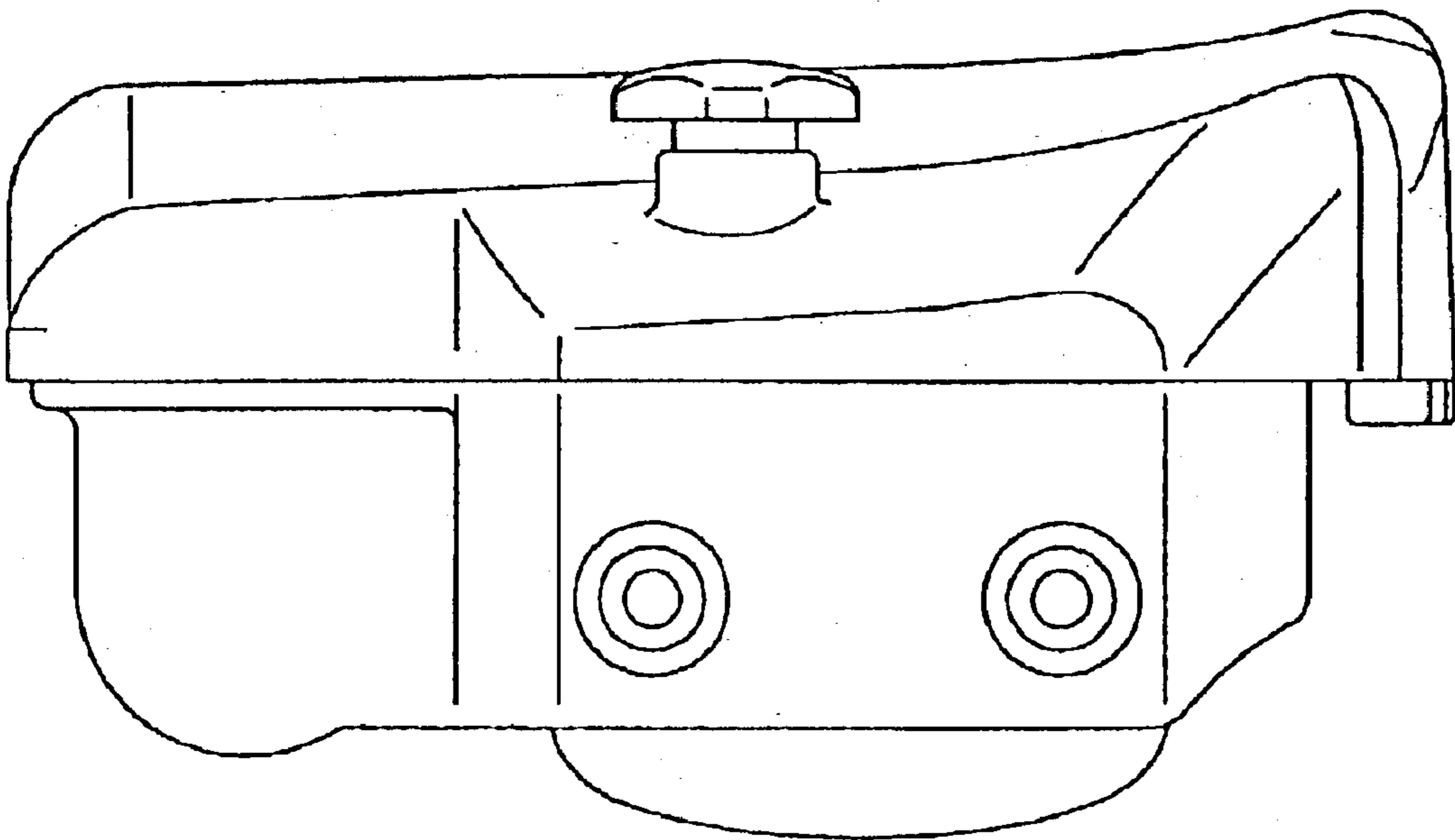


FIG. 7

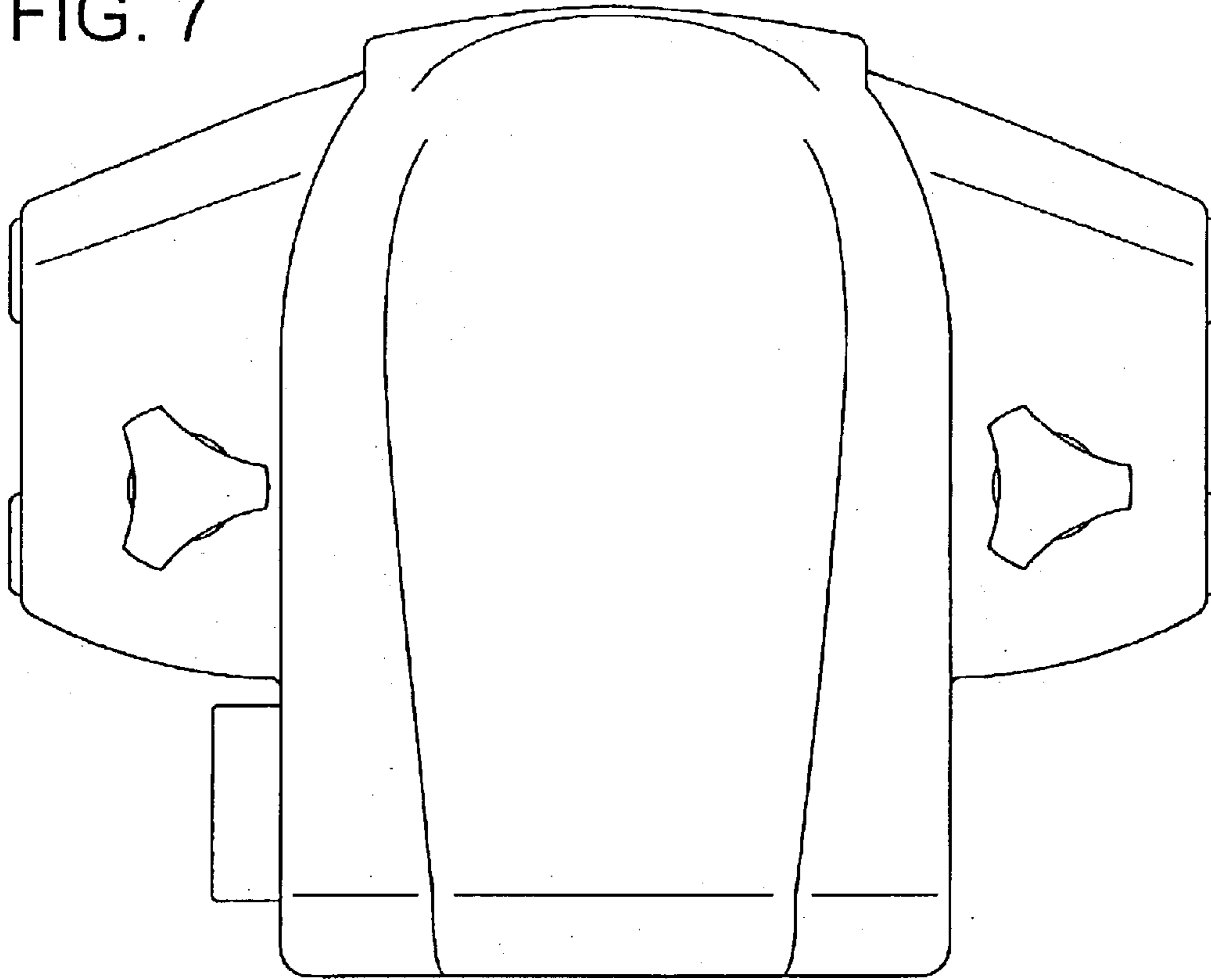


FIG. 8

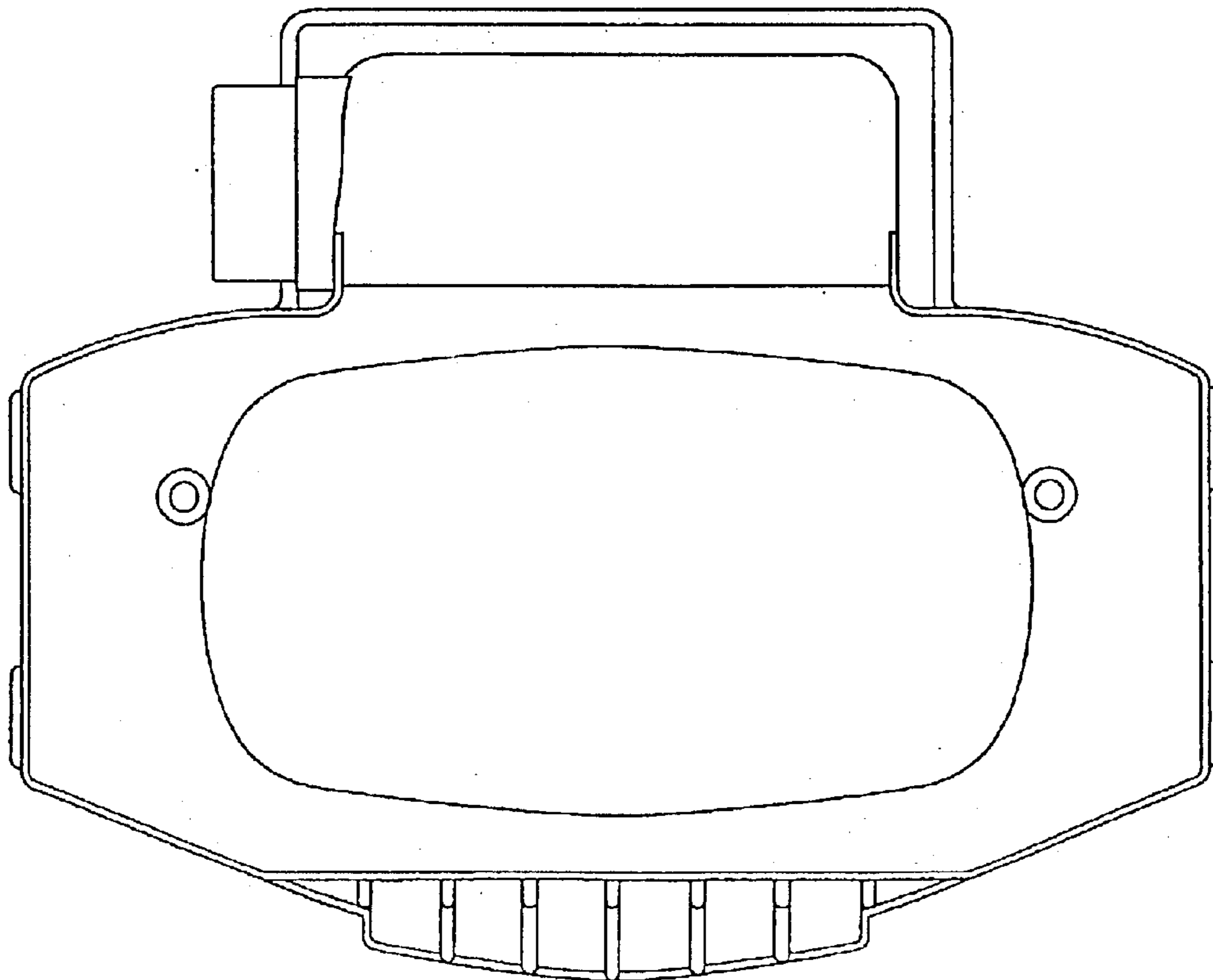


FIG. 9

