



US00D492754S1

(12) **United States Design Patent**  
**Blattner**

(10) **Patent No.:** **US D492,754 S**

(45) **Date of Patent:** **\*\* Jul. 6, 2004**

(54) **SANITARY FAUCET**

(75) **Inventor:** **Joachim Blattner**, Haslach (DE)

(73) **Assignee:** **Hansgrohe AG**, Schiltach (DE)

(\*\*) **Term:** **14 Years**

(21) **Appl. No.:** **29/183,974**

(22) **Filed:** **Jun. 19, 2003**

(30) **Foreign Application Priority Data**

Dec. 20, 2002 (DE) ..... 40210547

(51) **LOC (7) Cl.** ..... **23-01**

(52) **U.S. Cl.** ..... **D23/238**

(58) **Field of Search** ..... D23/238-257;  
4/675-678; 137/801

(56) **References Cited**

**U.S. PATENT DOCUMENTS**

- D397,768 S \* 9/1998 Delabie et al. .... D23/238
- D446,286 S \* 8/2001 Fleischmann ..... D23/242
- D467,307 S \* 12/2002 Sieger ..... D23/242
- D477,859 S \* 7/2003 Citterio ..... D23/241

**OTHER PUBLICATIONS**

- Catalog by HANSA, "Hansa Für Das Bad", one page, 2002.
- Brochure by Paini S.P.A. Rubinetterie, one page, Mar. 2001.
- Catalog by Zucchetti, "isyline", one page, 2001.

Brochure by Rubinetterie BANDINI, "The Collections", one page, 2001.

\* cited by examiner

*Primary Examiner*—Louis S. Zarfaz

*Assistant Examiner*—Gregory Andoll

(74) *Attorney, Agent, or Firm*—Duane Morris LLP

(57) **CLAIM**

The ornamental design for a sanitary faucet, as shown and described.

**DESCRIPTION**

FIG. 1: is a side perspective view of the sanitary faucet showing my new design;

FIG. 2: is a side elevation view thereof;

FIG. 3: is a front elevation view thereof;

FIG. 4: is the opposite side elevation view thereof;

FIG. 5: is a rear elevation view thereof;

FIG. 6: is a top plan view thereof; and,

FIG. 7: is a bottom plan view thereof.

**1 Claim, 7 Drawing Sheets**

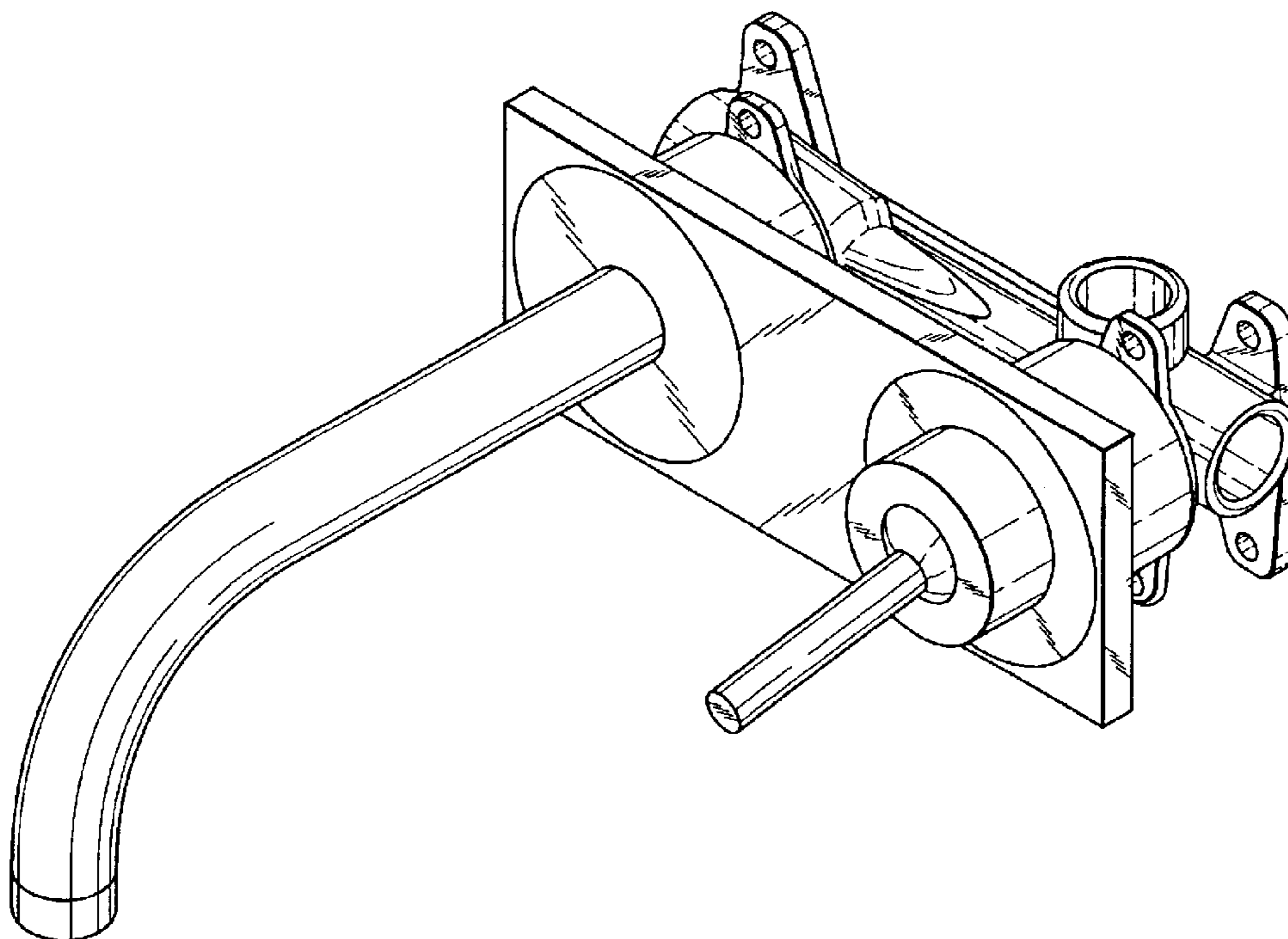


Fig. 1

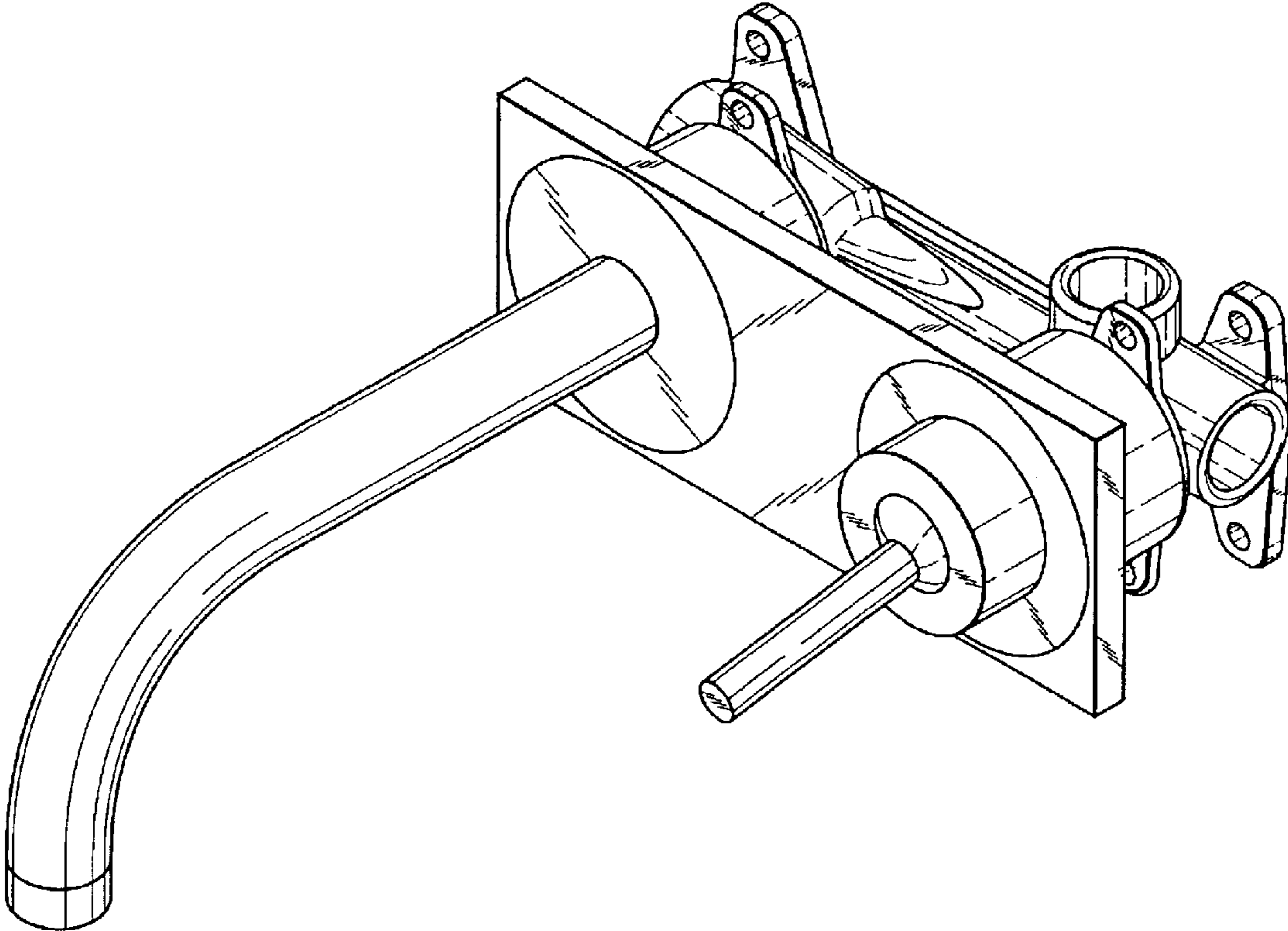


Fig. 2

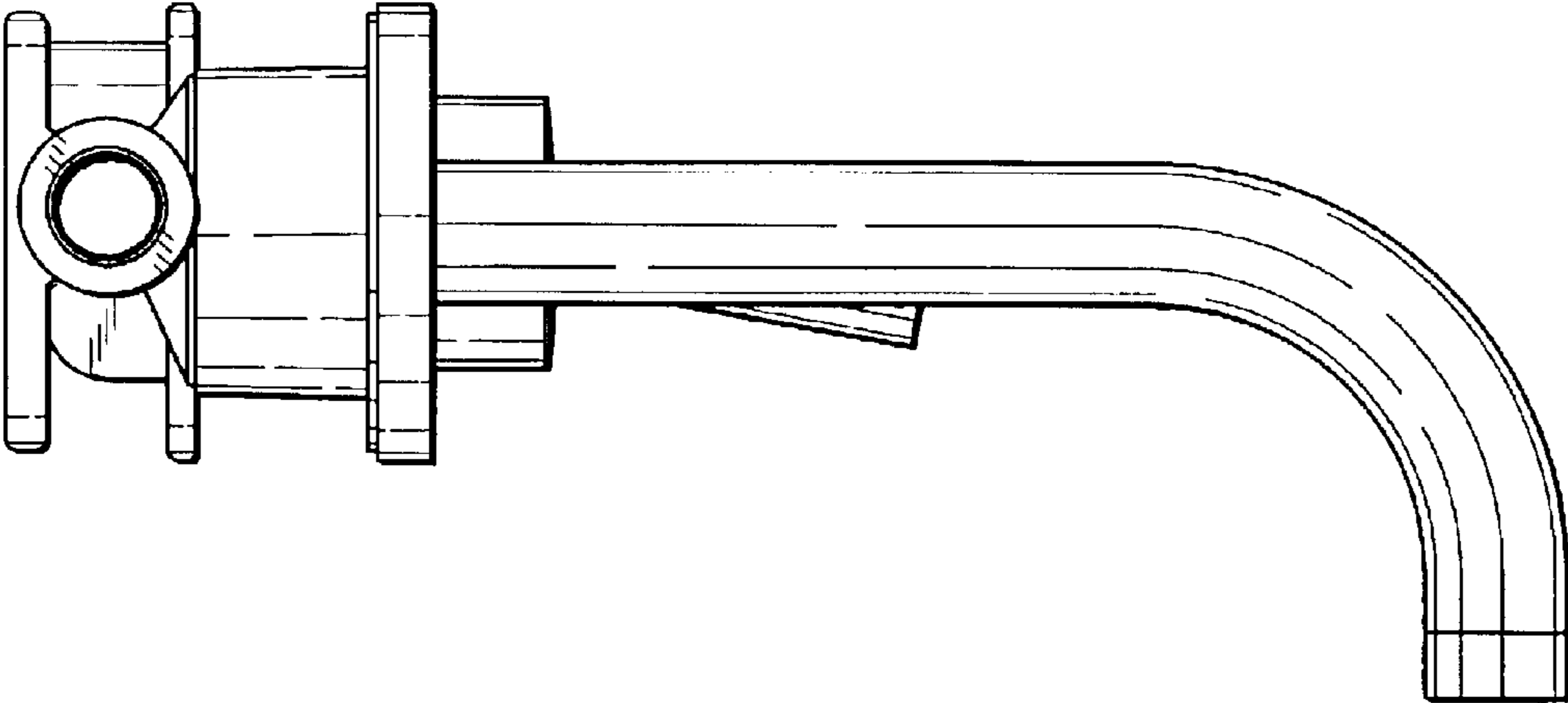


Fig. 3

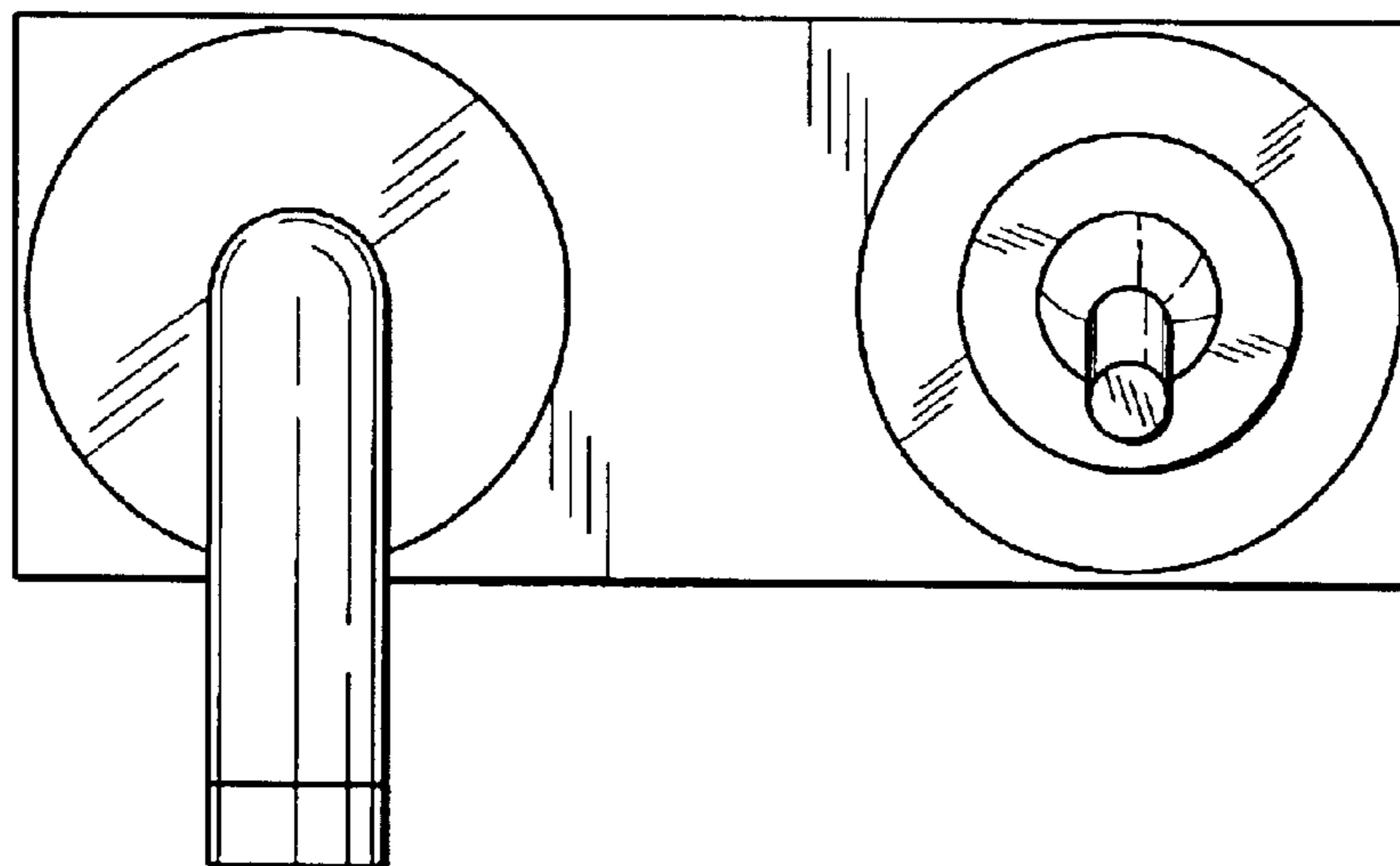


Fig. 4

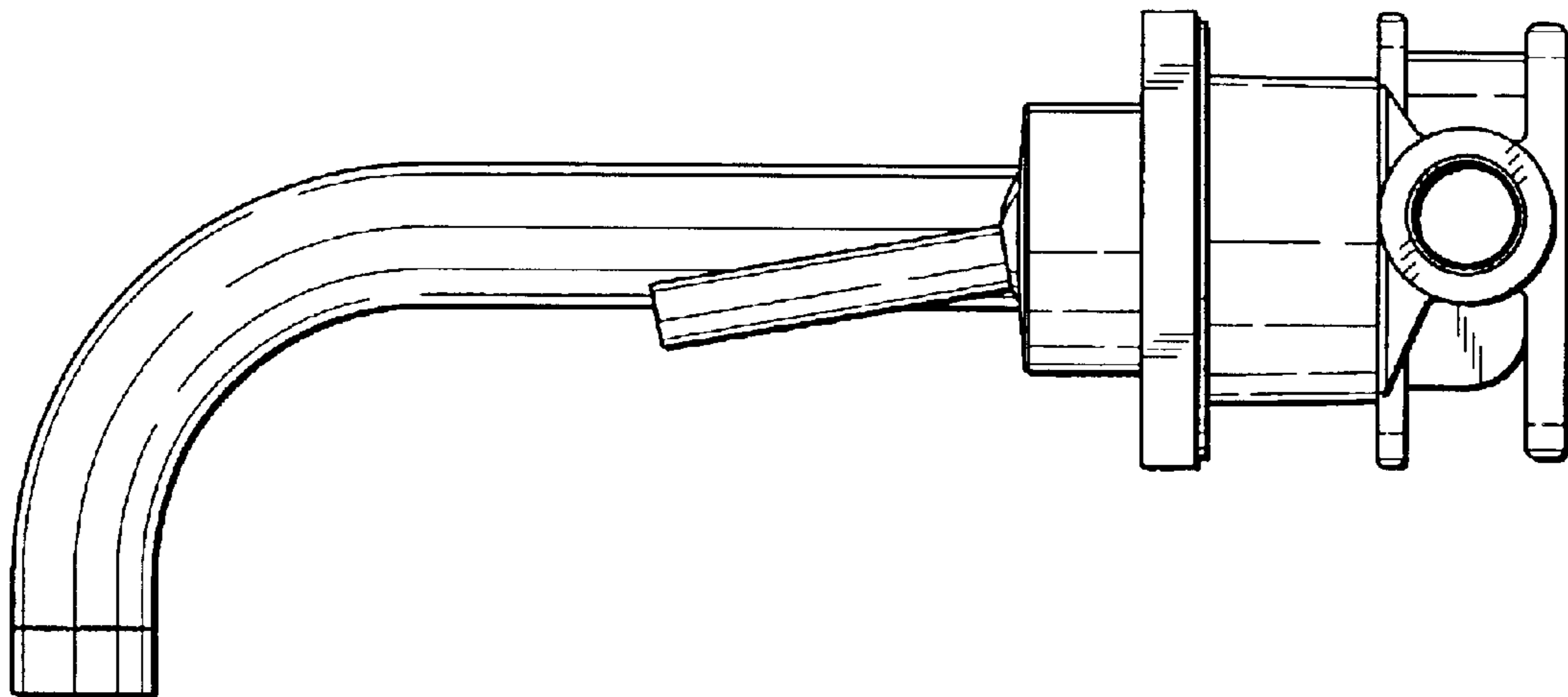


Fig. 5

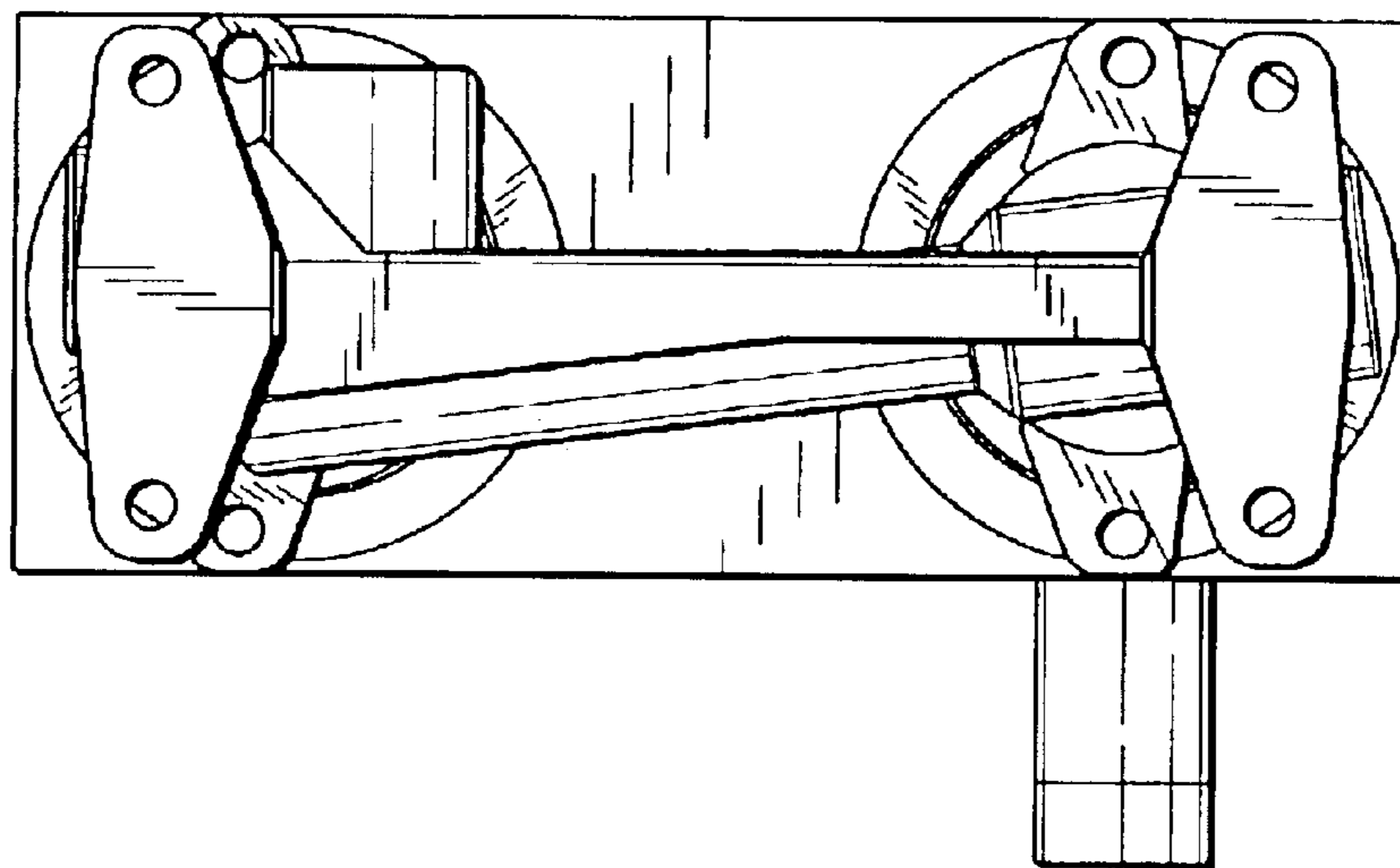


Fig. 6

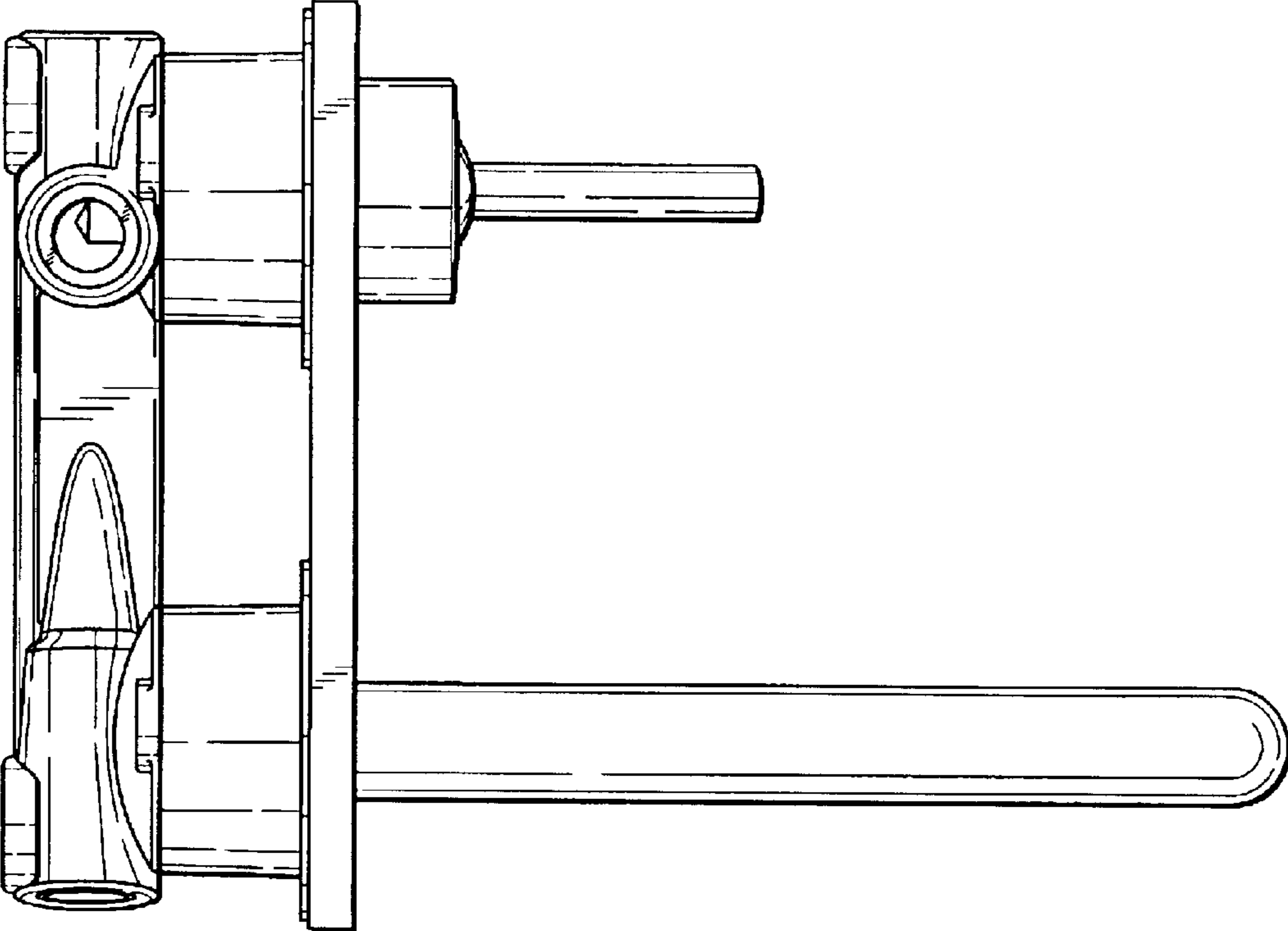


Fig. 7

