

US00D492751S1

(12) **United States Design Patent**
Hicks et al.

(10) **Patent No.:** **US D492,751 S**

(45) **Date of Patent:** **** Jul. 6, 2004**

(54) **CAT-A-JUG FISHING FLOAT**

(76) Inventors: **Robert Earl Hicks**, 325 Crestline,
Noble, OK (US) 73068; **Charles**
Michael Jagers, 312 Crestline, Noble,
OK (US) 73068

(**) **Term:** **14 Years**

(21) **Appl. No.:** **29/156,769**

(22) **Filed:** **Mar. 7, 2002**

(51) **LOC (7) Cl.** **22-05**

(52) **U.S. Cl.** **D22/146**

(58) **Field of Search** D22/146, 126,
D22/145, 134, 199; 43/4, 17, 44.9, 44.91,
44.96, 42.31, 4.5

(56) **References Cited**

U.S. PATENT DOCUMENTS

2,779,122 A	*	1/1957	De Groff	43/44.9
D286,487 S		11/1986	Laslo	D7/5
D291,589 S	*	8/1987	Kerschner	D22/146
D309,937 S	*	8/1990	Baxter	D22/134
5,048,219 A		9/1991	Georgescu	43/4
D337,632 S		7/1993	Hemmerle	D22/146

5,253,445 A		10/1993	Spoonemore	43/17
D366,691 S		1/1996	Botkins	D22/146
D396,263 S		7/1998	Miller	D22/146
5,921,013 A	*	7/1999	Kaczynski, Sr.	43/45
6,321,481 B1		11/2001	Presnell	43/4
D452,550 S		12/2001	Storelli	D22/146
D452,723 S		1/2002	Storelli	D22/146

* cited by examiner

Primary Examiner—Catherine R. Oliver

(74) *Attorney, Agent, or Firm*—Jerry W Anderson

(57) **CLAIM**

The ornamental design for a cat-a-jug fishing float, as shown and described.

DESCRIPTION

FIG. 1 is a side view my new design for a fishing float.

FIG. 2 is a top view thereof;

FIG. 3 is a bottom view thereof;

FIG. 4 is a top side perspective view thereof; and,

FIG. 5 is a bottom side perspective view thereof.

The unique features of this design are the flat sides combined with the eight sided shape.

1 Claim, 2 Drawing Sheets

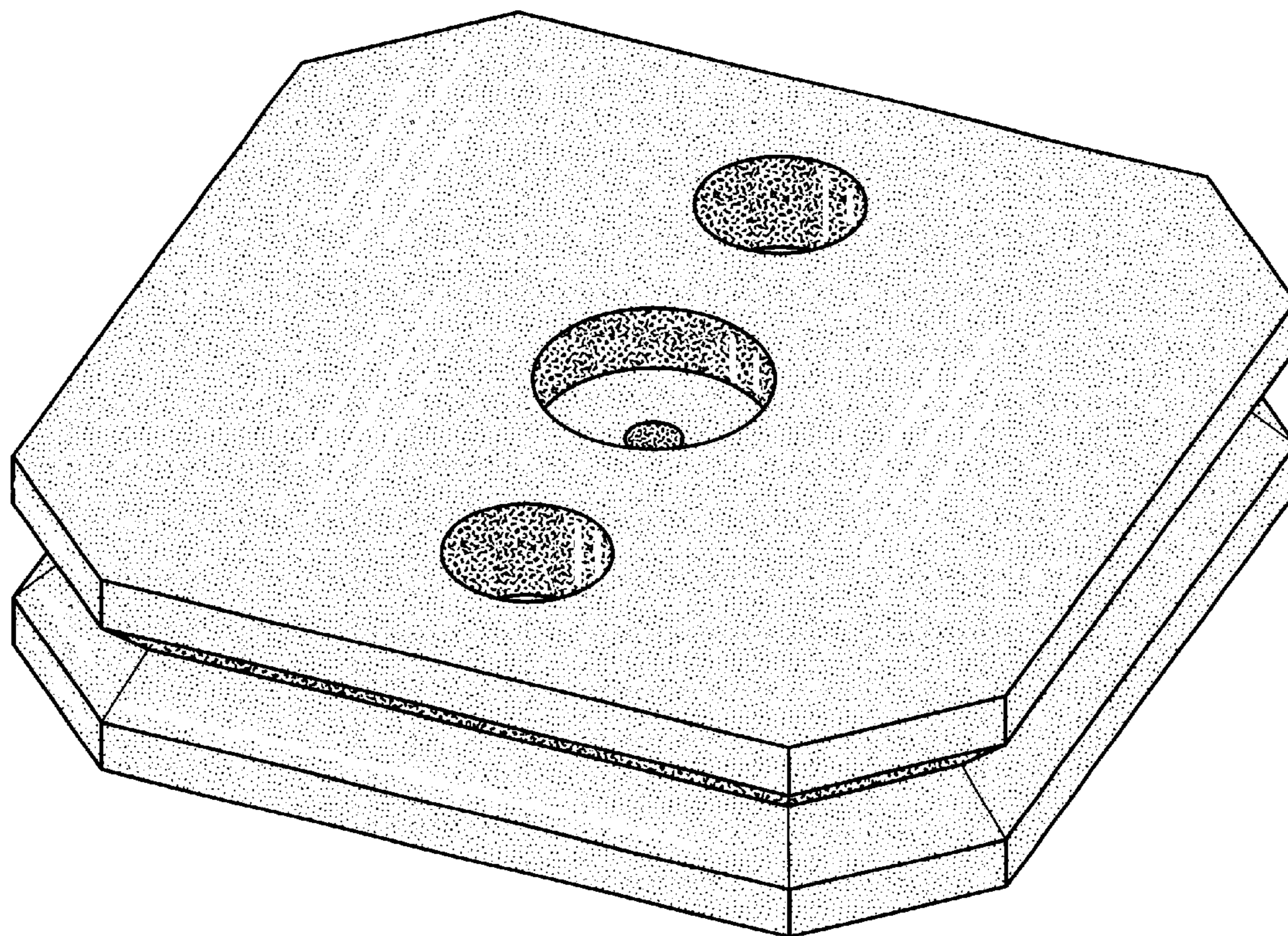


Fig. 2

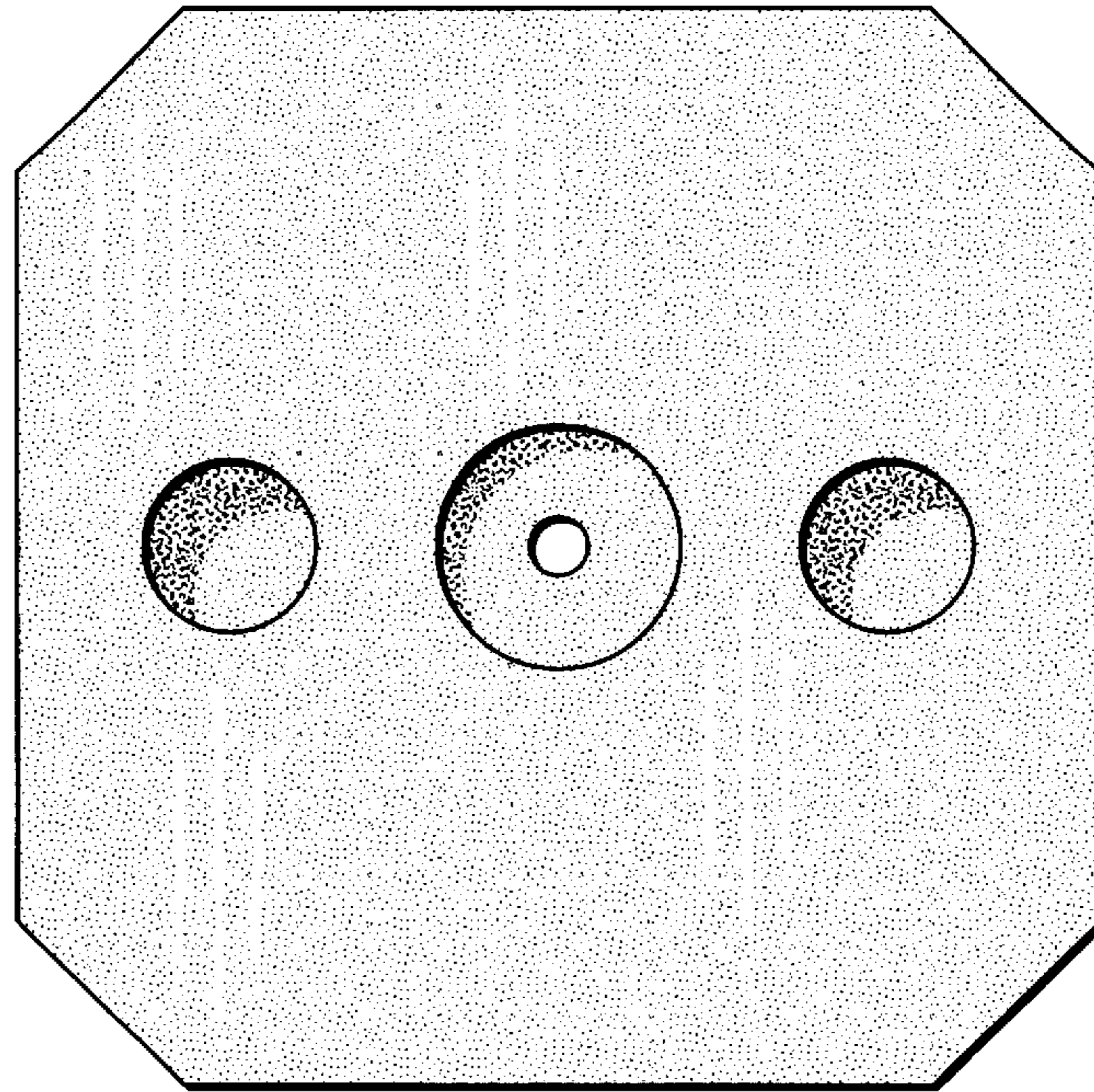


Fig. 1

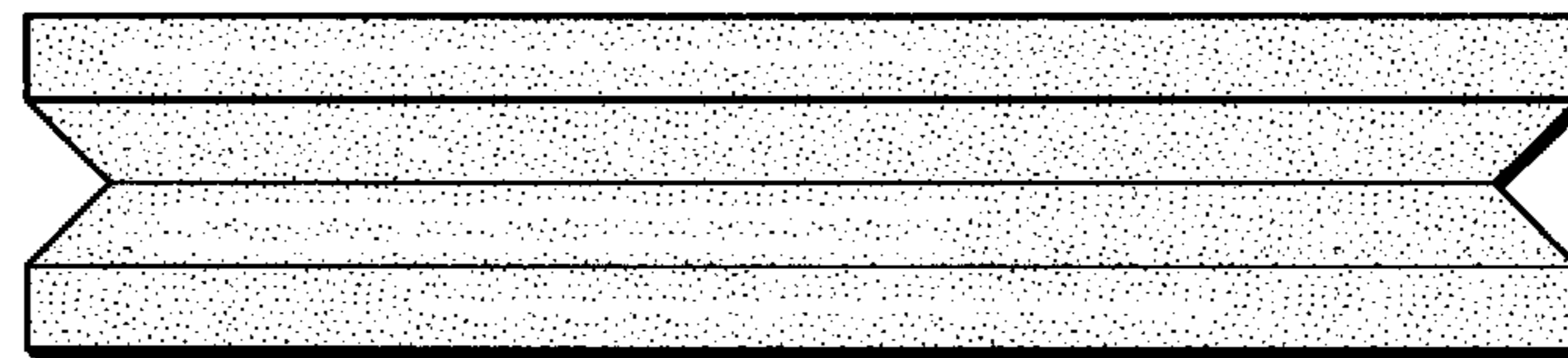
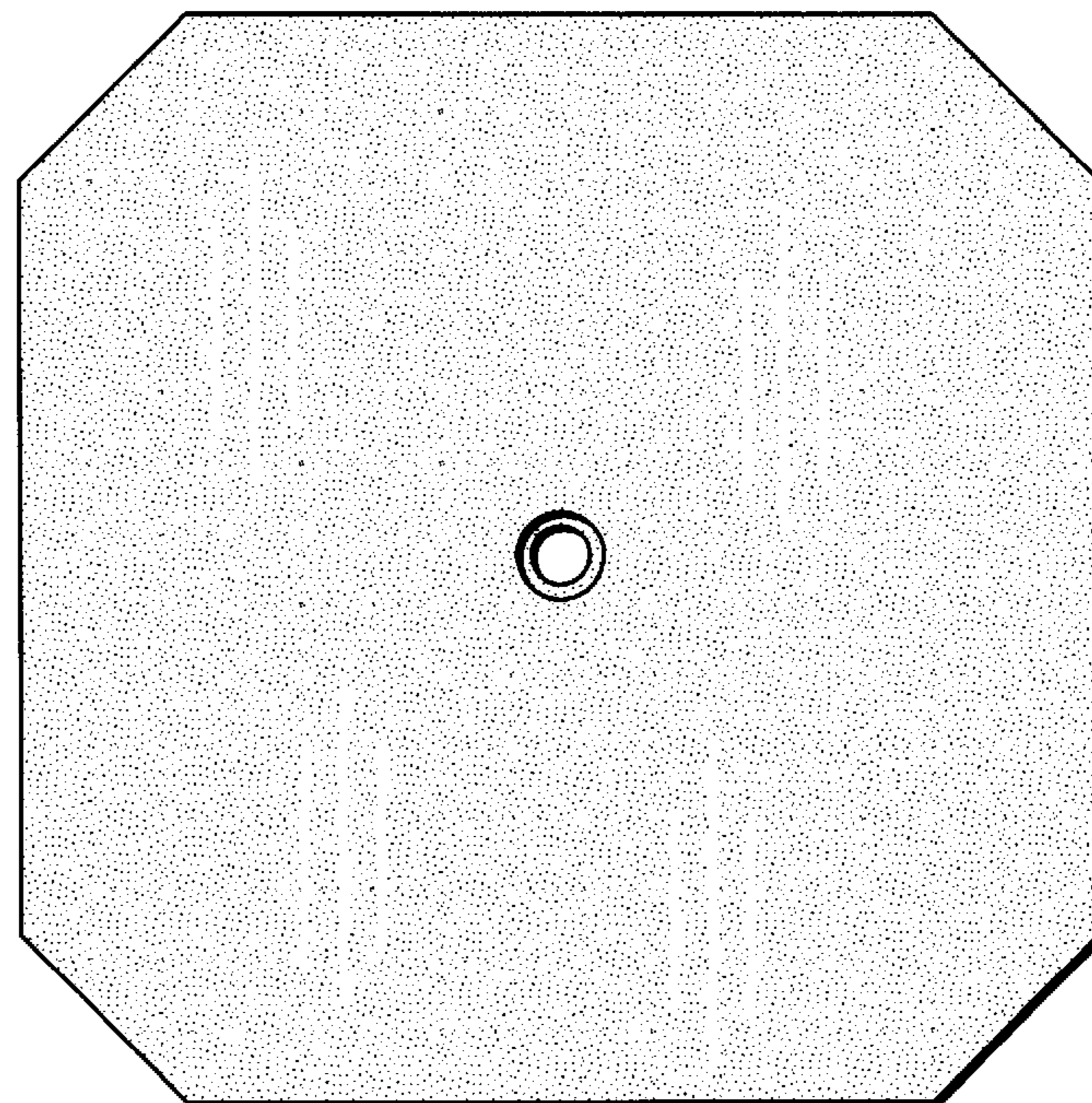


Fig. 3



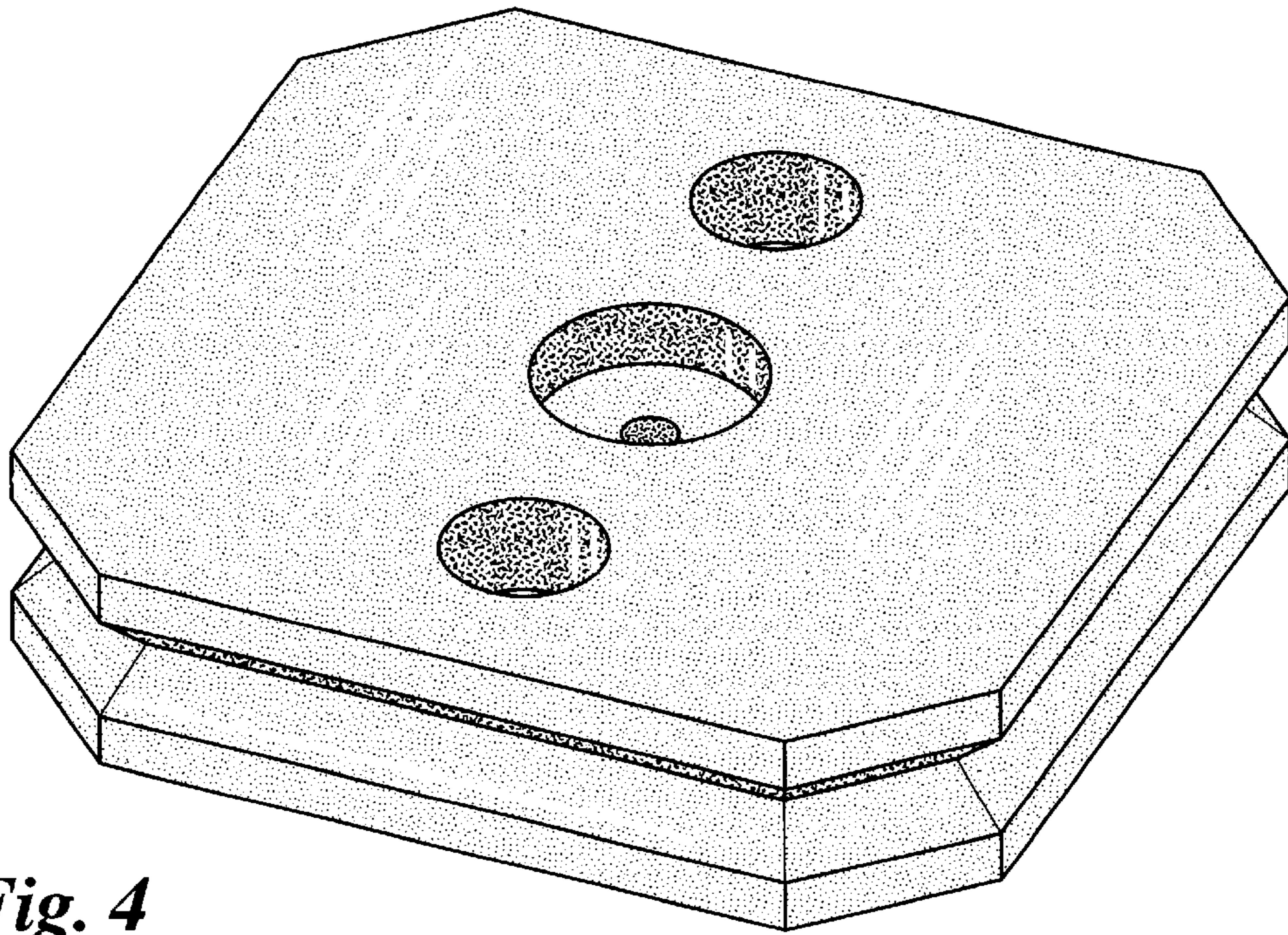


Fig. 4

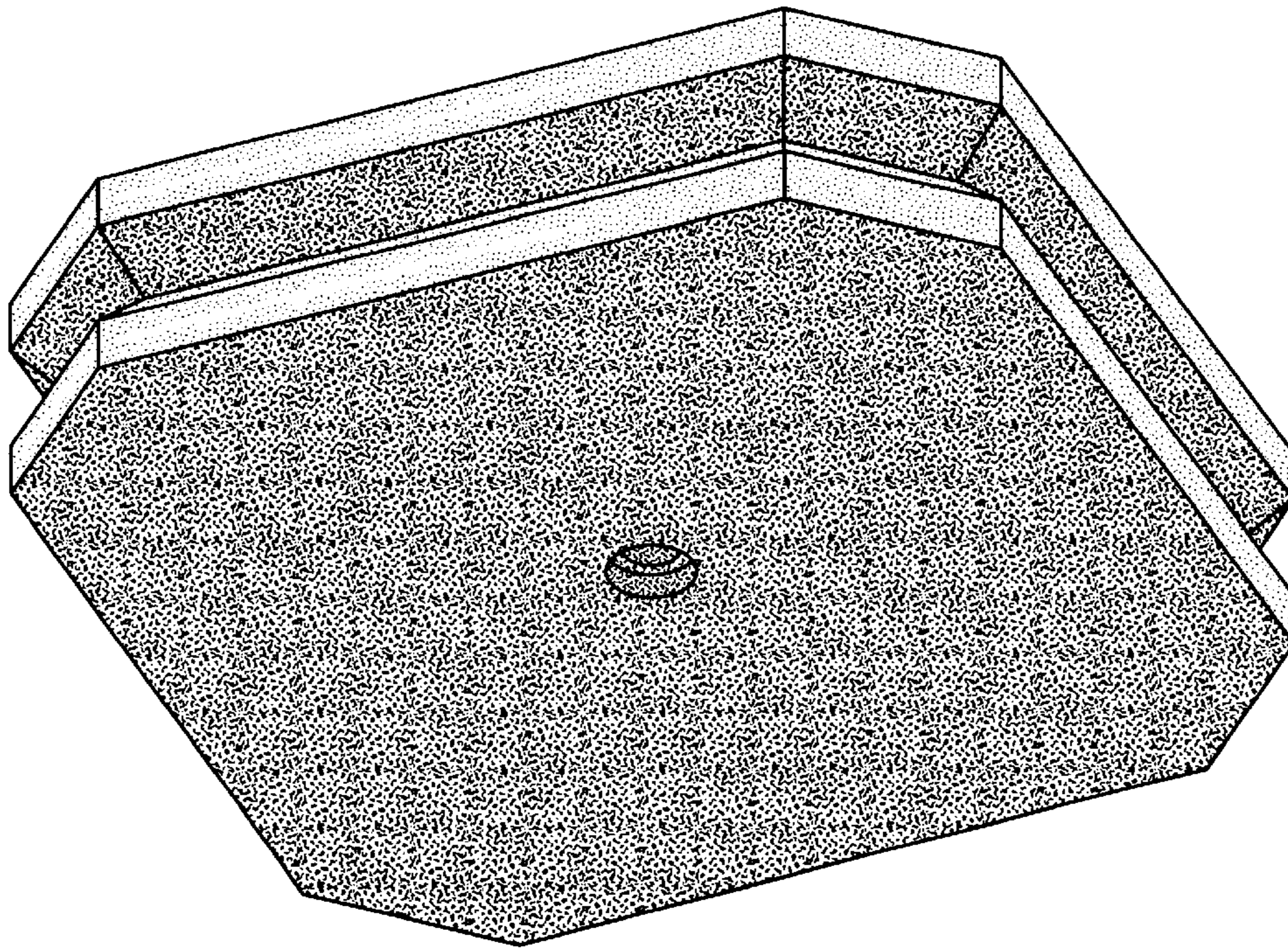


Fig. 5