



US00D492747S1

(12) **United States Design Patent**
LoRocco

(10) **Patent No.:** **US D492,747 S**
(45) **Date of Patent:** **** Jul. 6, 2004**

- (54) **REAR SIGHT FOR FIREARMS**
- (75) **Inventor:** **Paul LoRocco, Dallas, TX (US)**
- (73) **Assignee:** **TruGlo, Inc., Dallas, TX (US)**
- (**) **Term:** **14 Years**
- (21) **Appl. No.:** **29/170,899**
- (22) **Filed:** **Nov. 13, 2002**
- (51) **LOC (7) Cl.** **22-01**
- (52) **U.S. Cl.** **D22/109**
- (58) **Field of Search** **D22/100, 104,**
D22/108, 109, 199; 42/111, 112, 134, 135,
136, 137, 139, 143, 144, 145, 148

- D403,734 S 1/1999 Kay
- 5,956,854 A 9/1999 Lorocco
- 6,016,608 A 1/2000 Lorocco
- D428,102 S 7/2000 Flubacher et al.
- 6,122,833 A 9/2000 Lorocco
- D432,618 S 10/2000 Wilson
- D435,080 S * 12/2000 Ling, Jr. D22/108
- 6,216,351 B1 * 4/2001 Flubacher et al. 42/145
- 6,216,352 B1 4/2001 Lorocco
- 6,230,414 B1 * 5/2001 Glock 42/139
- 6,360,472 B1 3/2002 Lorocco

* cited by examiner

Primary Examiner—Louis S. Zarfes
Assistant Examiner—Monica A. Weingart
(74) *Attorney, Agent, or Firm*—Alvin R. Wirthlin

(57) **CLAIM**

The ornamental design for a rear sight for firearms, as shown and described.

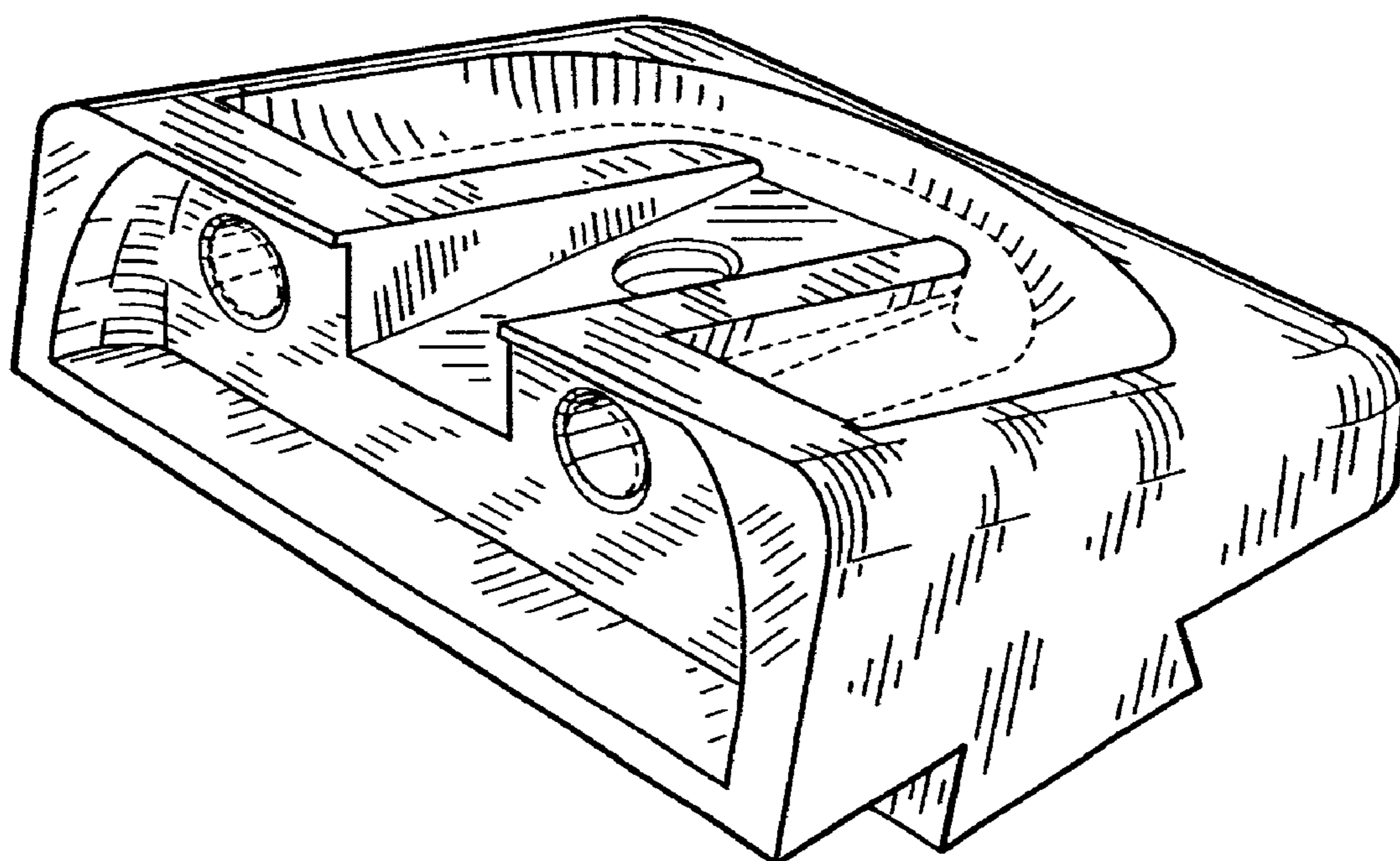
DESCRIPTION

FIG. 1 is a top perspective view of a rear sight for firearms showing my new design;
FIG. 2 is a front elevational view thereof;
FIG. 3 is a side elevational view thereof, it being understood that the opposite side is a mirror image and therefore is not shown;
FIG. 4 is a rear elevational view thereof;
FIG. 5 is a top plan view thereof; and,
FIG. 6 is a bottom plan view thereof.
The elements shown in phantom line are not part of the claimed invention.

1 Claim, 3 Drawing Sheets

(56) **References Cited**
U.S. PATENT DOCUMENTS

- 3,098,303 A 7/1963 Plisk
- D273,217 S 3/1984 Swenson
- D296,227 S 6/1988 Novak
- 4,764,011 A 8/1988 Goldstein
- D301,512 S 6/1989 Novak
- D305,146 S 12/1989 Novak
- D305,561 S 1/1990 Novak
- D315,776 S 3/1991 Novak
- 5,065,519 A * 11/1991 Bindon 42/145
- D351,449 S 10/1994 Dagley
- D352,087 S 11/1994 Stevens et al.
- 5,426,882 A * 6/1995 Dornaus 42/144
- 5,442,861 A 8/1995 Lorocco
- 5,638,604 A 6/1997 Lorocco
- 5,653,034 A 8/1997 Bindon
- 5,836,100 A 11/1998 Stover



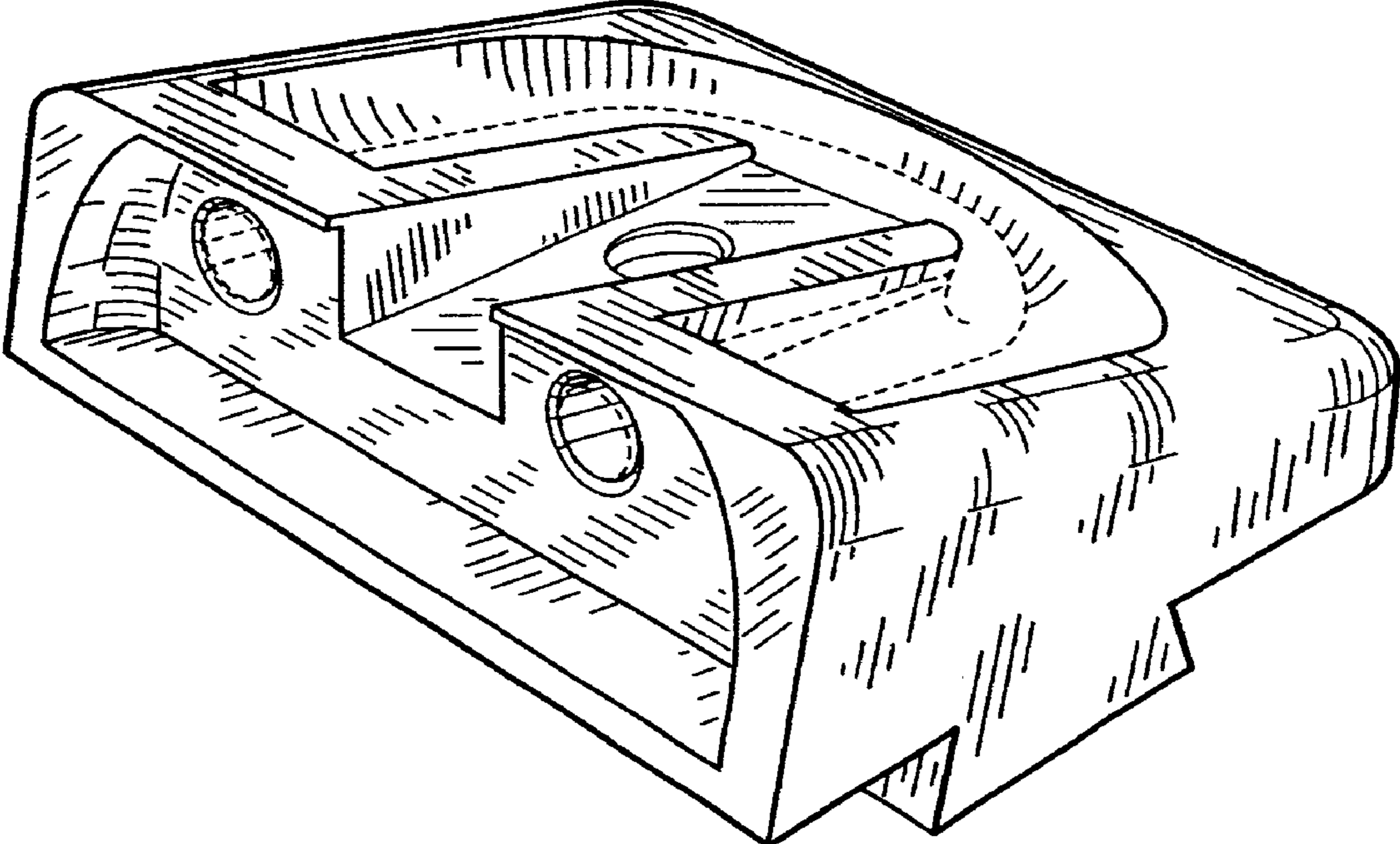


FIG. 1

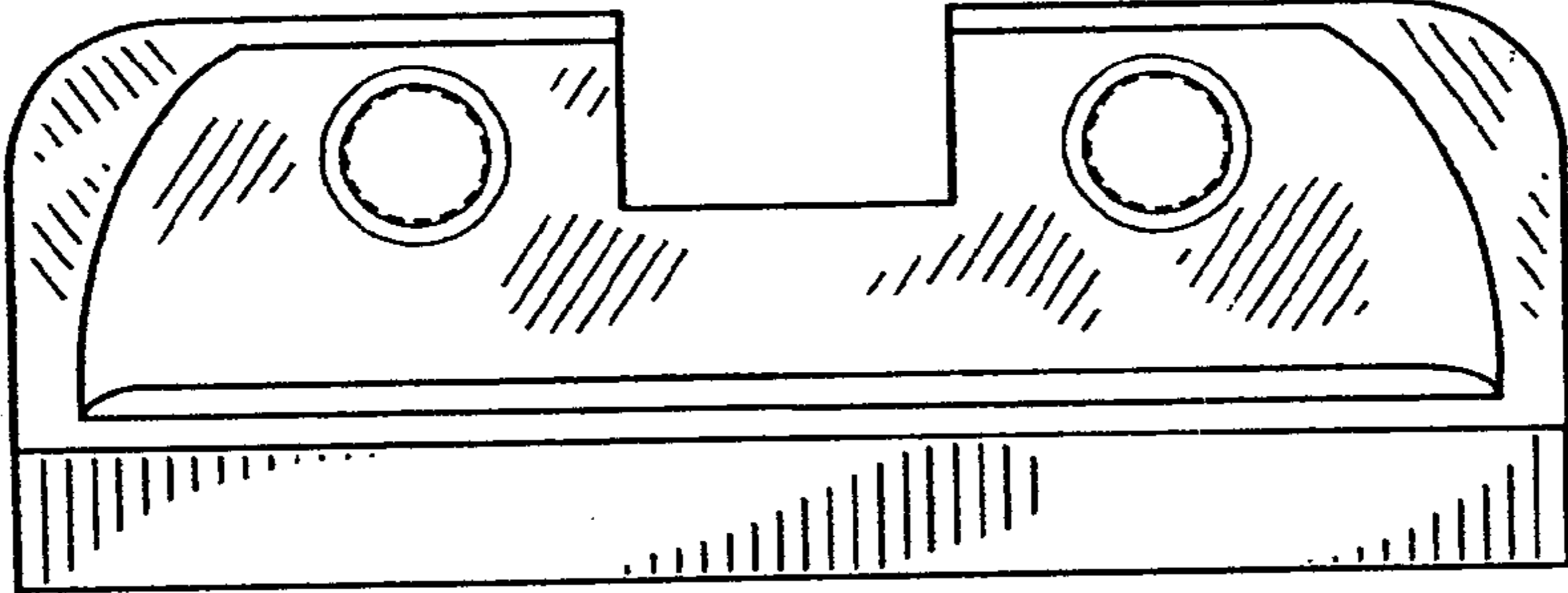


FIG. 2

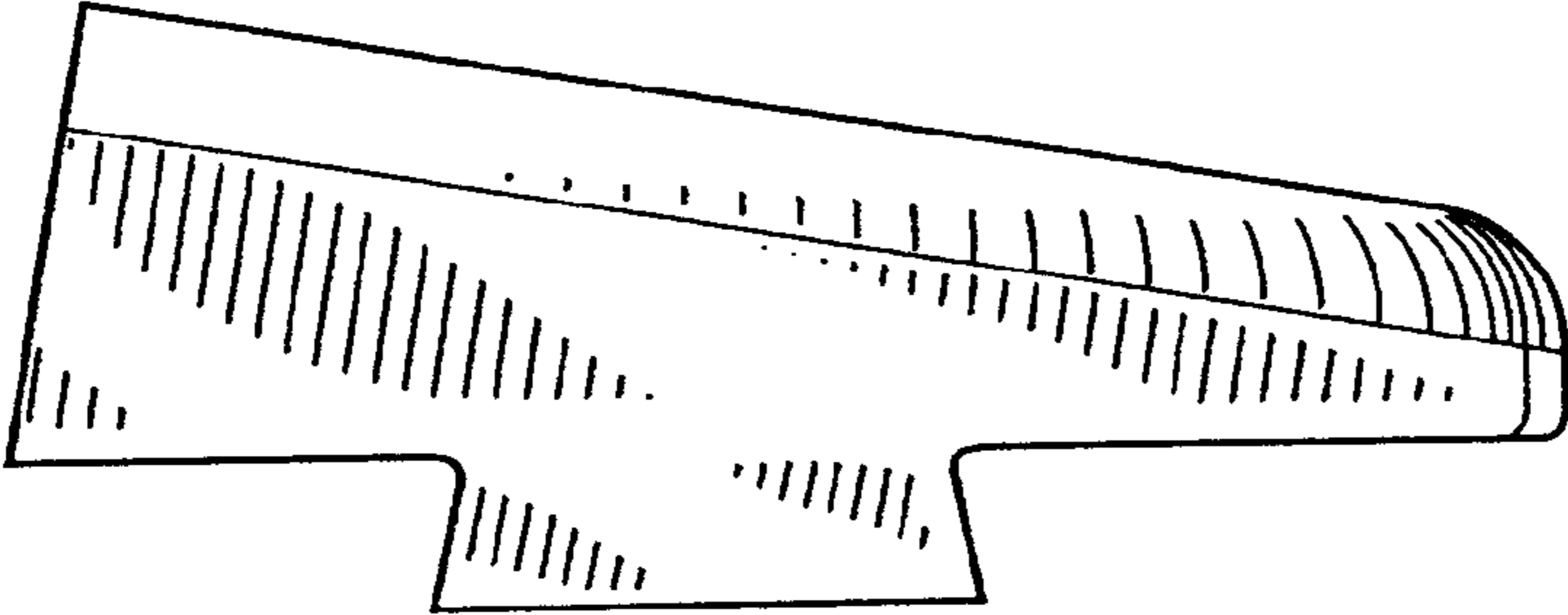


FIG. 3

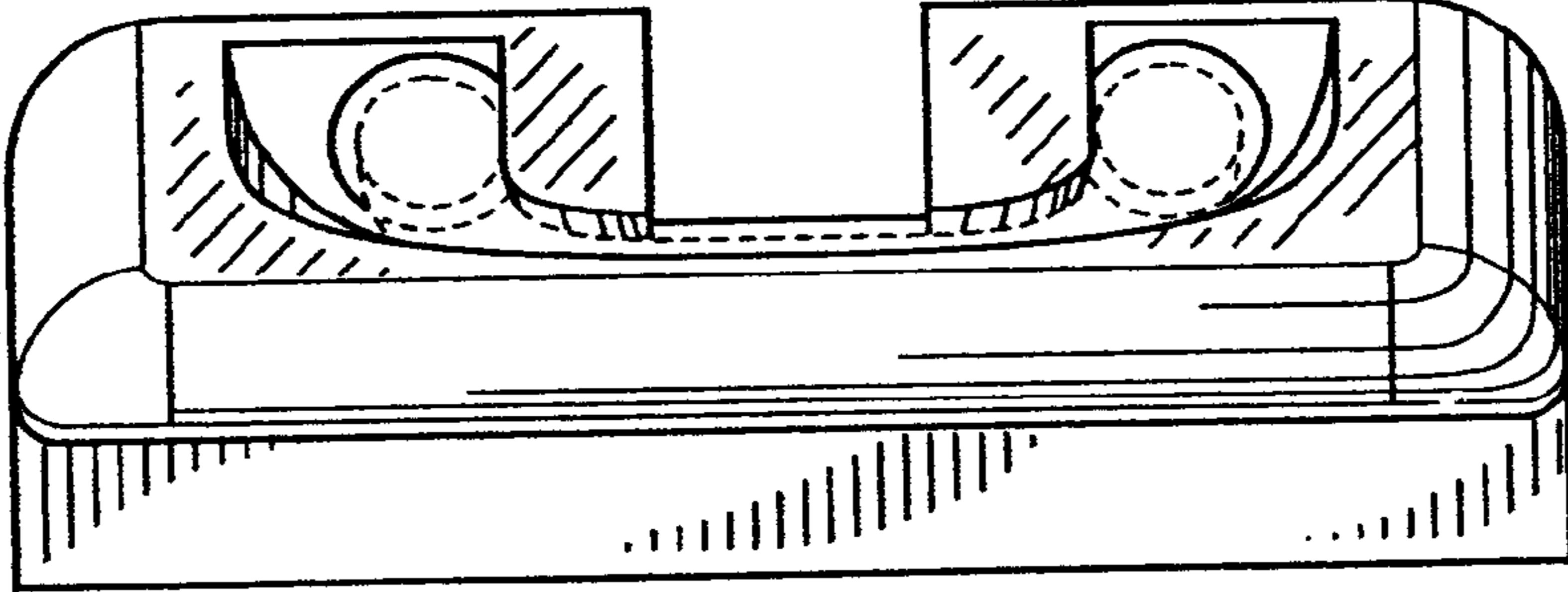


FIG. 4

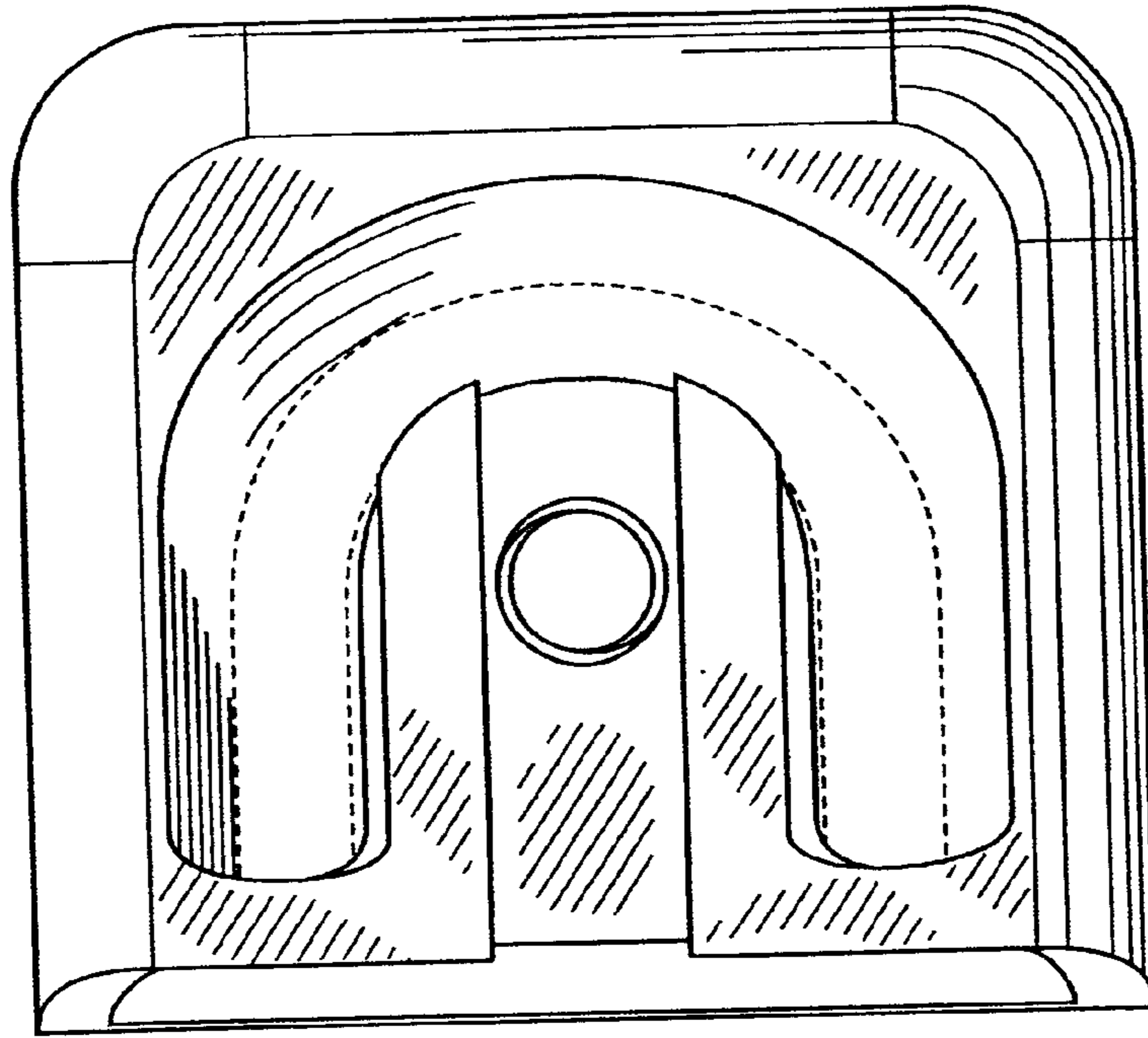


FIG. 5

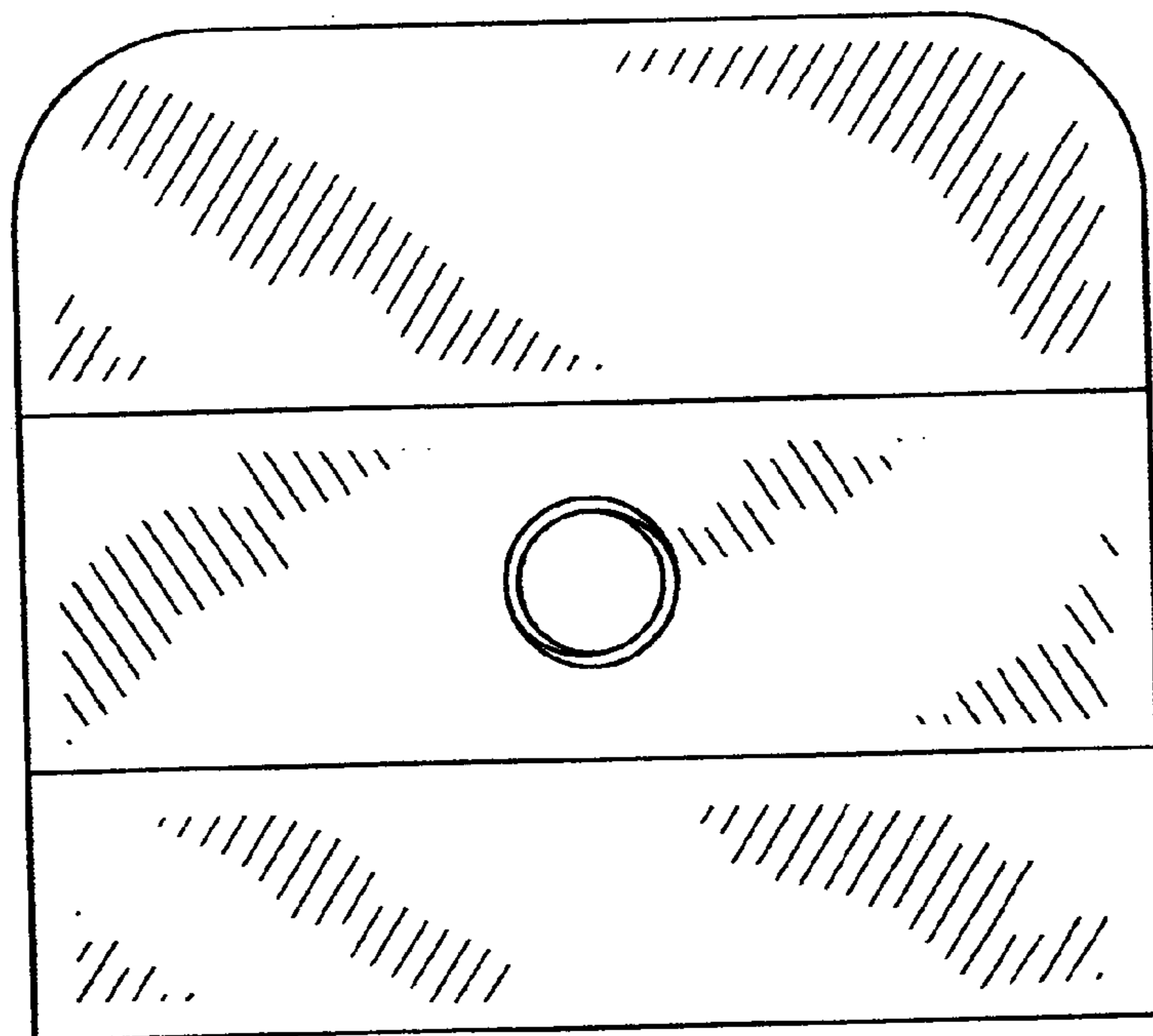


FIG. 6