

US00D492741S1

(12) **United States Design Patent**
Hradisky

(10) **Patent No.:** **US D492,741 S**
(45) **Date of Patent:** **** Jul. 6, 2004**

(54) **TOY KITCHEN**
(75) **Inventor:** **John L. Hradisky, Aurora, OH (US)**
(73) **Assignee:** **The Step2 Company, Streetsboro, OH (US)**
(**) **Term:** **14 Years**

D308,234 S * 5/1990 Fish, Jr. D21/490
D345,592 S * 3/1994 Houry et al. D21/524
5,492,495 A * 2/1996 Ashley 446/110
D391,615 S * 3/1998 Wilgus D21/506
D403,449 S * 12/1998 Searer D25/136
D425,328 S * 5/2000 Welling D23/272
D478,946 S * 8/2003 Franta et al. D21/524

* cited by examiner

(21) **Appl. No.:** **29/173,958**
(22) **Filed:** **Jan. 9, 2003**

Primary Examiner—Raphael Barkai
(74) *Attorney, Agent, or Firm*—Brouse McDowell; Roger D. Emerson; Heather M. Barnes

(51) **LOC (7) Cl.** **21-01**
(52) **U.S. Cl.** **D21/524; D21/494**
(58) **Field of Search** D21/519, 506,
D21/523–525, 483, 484, 490, 494, 507–511;
D7/332, 337; D23/271, 272, 286; D25/52,
55, 136; 446/479, 478, 481, 482, 485, 85,
102–105, 108–117

(57) **CLAIM**

The ornamental design for a toy kitchen, as shown.

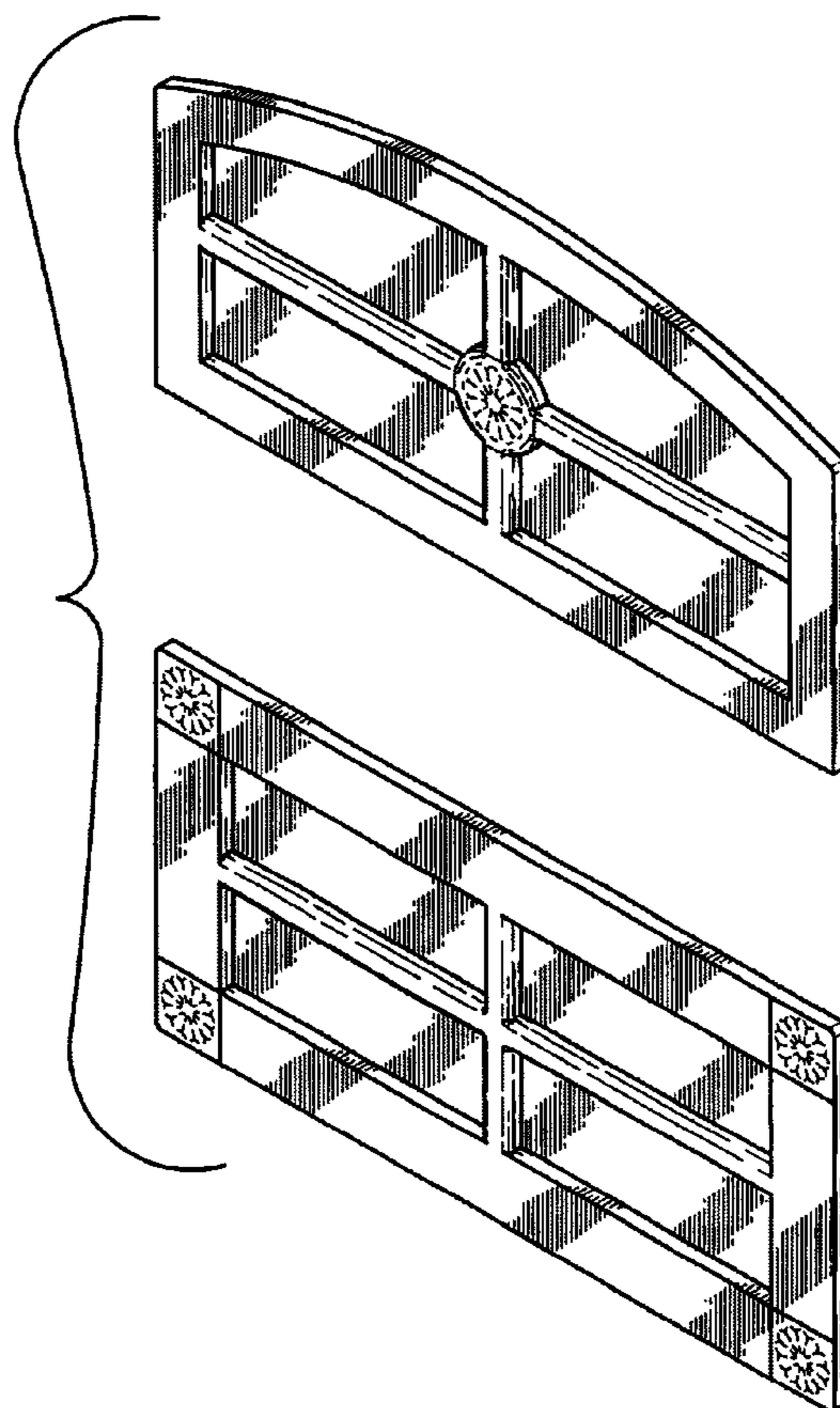
DESCRIPTION

FIG. 1 is a front elevational view of a toy kitchen showing the window section, and the broken lines are for illustrative purposes only and form no part of the claimed design. FIG. 2 is a side perspective view of the window section. FIG. 3 is a front elevational view of the window section. FIG. 4 is a top view of the window section taken along line 4–4 of FIG. 3; and, FIG. 5 is a side view of the window section taken along line 5–5 of FIG. 3.

(56) **References Cited**
U.S. PATENT DOCUMENTS

2,127,047 A * 8/1938 Pinney 446/482
3,133,376 A * 5/1964 Orenstein 446/481
D210,821 S * 4/1968 Stone D25/136
D258,162 S * 2/1981 Orenstein et al. D21/524
4,332,101 A * 6/1982 Tomita 446/481
4,333,258 A * 6/1982 McCaslin 446/481

1 Claim, 3 Drawing Sheets



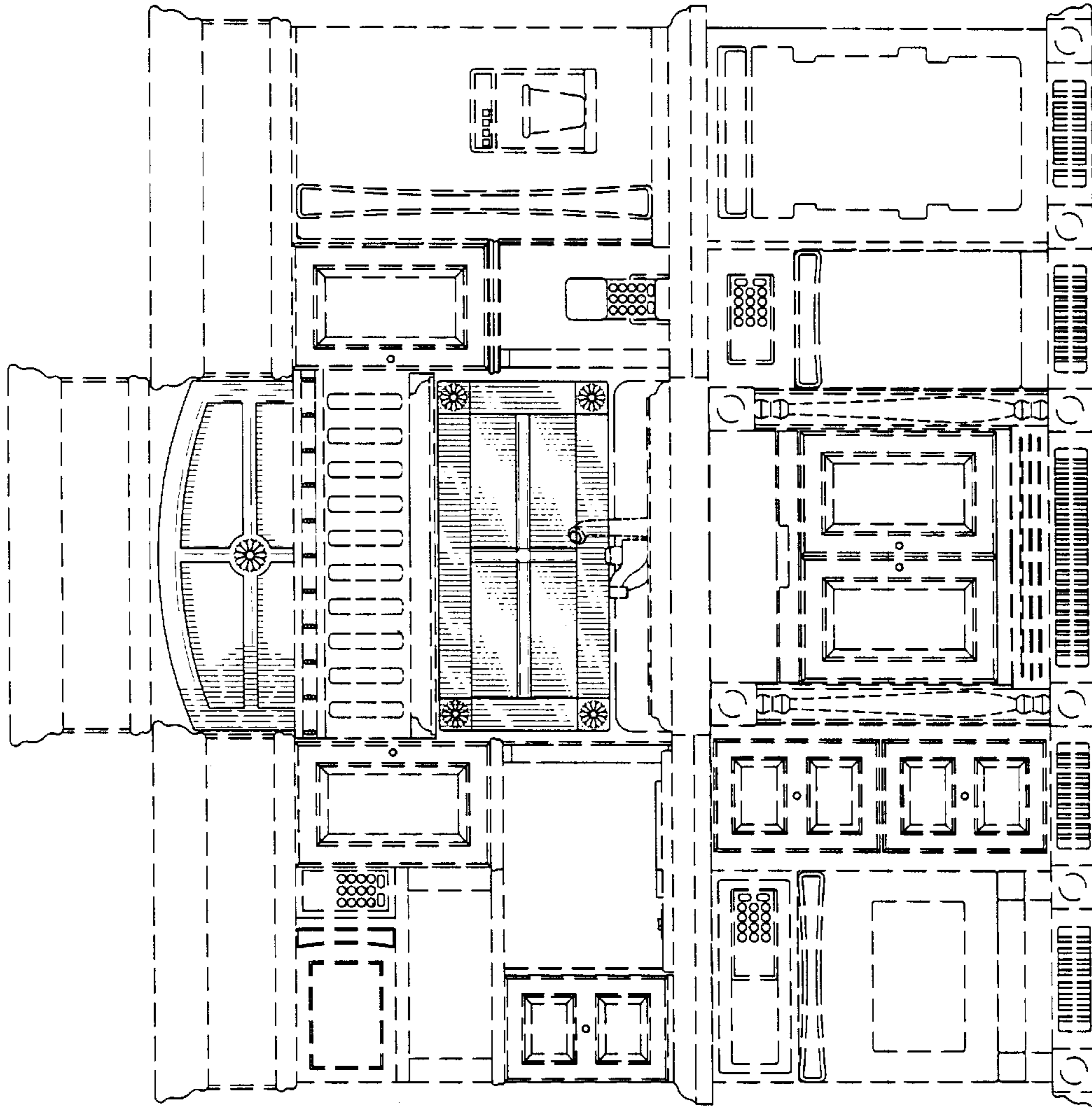


FIG--1

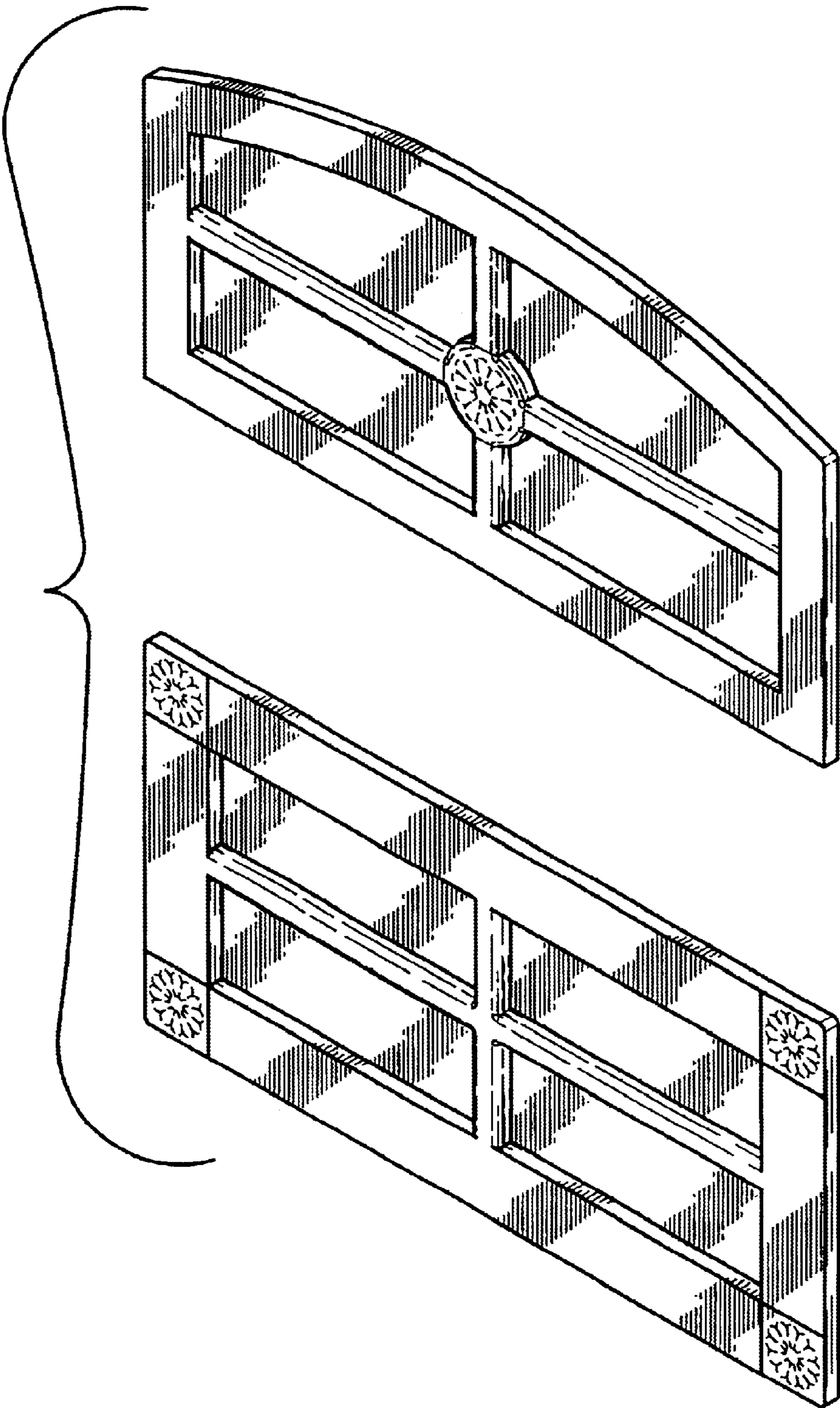


FIG-2

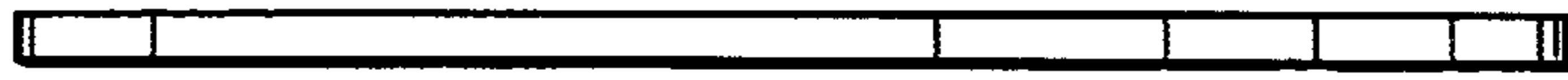


FIG-4

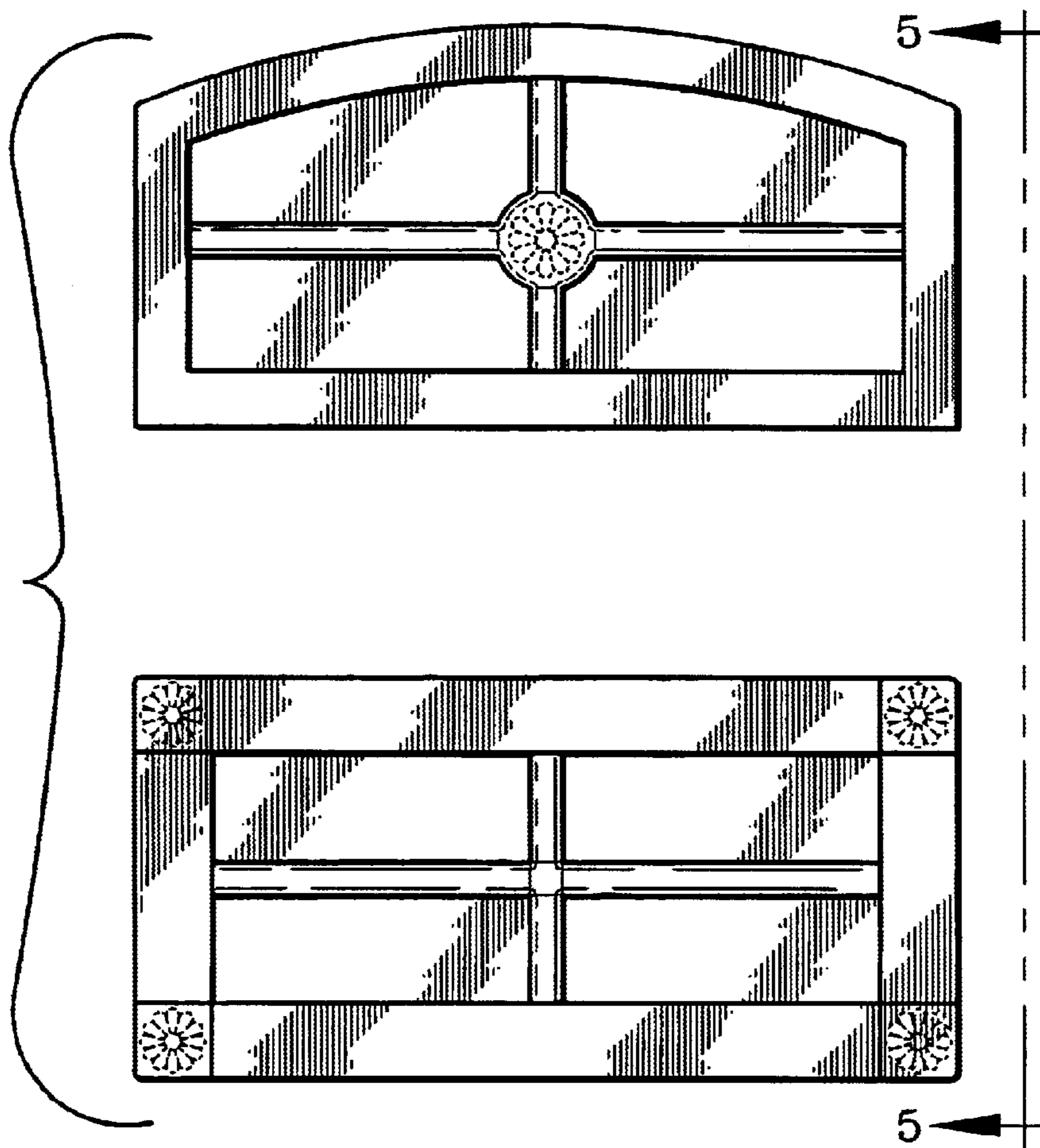
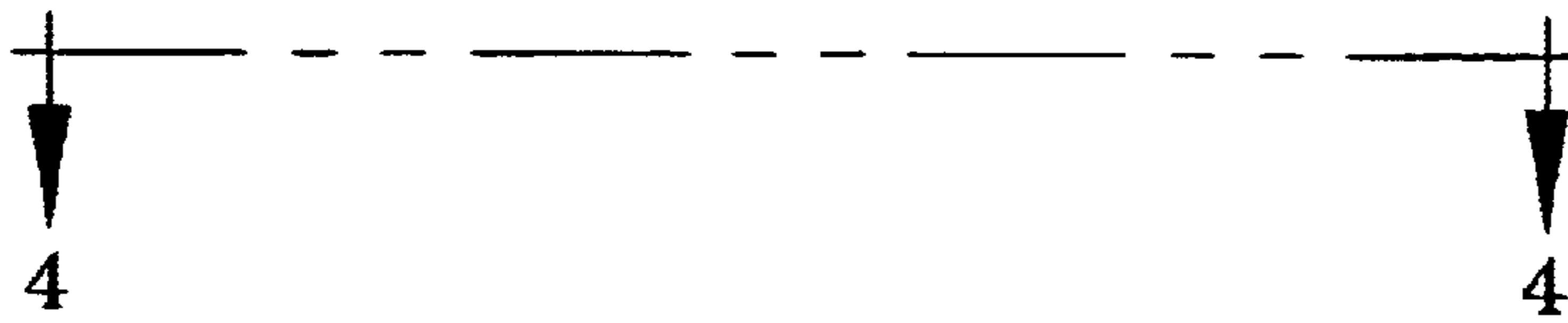


FIG-3

FIG-5