



US00D492736S1

(12) **United States Design Patent**
Kato

(10) **Patent No.:** **US D492,736 S**
(45) **Date of Patent:** **** Jul. 6, 2004**

(54) **TRAINING TOY**

(75) Inventor: **Hideyuki Kato**, Katsushika-ku (JP)

(73) Assignee: **Tomy Company, Ltd.**, Tokyo (JP)

(**) Term: **14 Years**

(21) Appl. No.: **29/159,295**

(22) Filed: **Apr. 19, 2002**

(30) **Foreign Application Priority Data**

Oct. 24, 2001 (JP) 2001-031162

(51) **LOC (7) Cl.** **21-01**

(52) **U.S. Cl.** **D21/398; D21/456**

(58) **Field of Search** D21/300, 310,
D21/398, 405, 456, 459, 564, 565; 446/168-174,
241; 273/108-113, 117, 118, 118 R, 120 R,
121, 123 RA, 127, 128, 138.1, 138.3, 138.4,
139

(56) **References Cited**

U.S. PATENT DOCUMENTS

| | | | | | | |
|-----------|---|---|---------|----------------|-------|-----------|
| 326,078 | A | * | 9/1885 | Wood | | 273/120 R |
| 1,274,979 | A | * | 8/1918 | Bliley | | 446/171 |
| 4,713,038 | A | * | 12/1987 | Wichman et al. | | 446/168 |
| 4,932,917 | A | * | 6/1990 | Klitsner | | 446/168 |
| 5,312,285 | A | * | 5/1994 | Rieber et al. | | 446/168 |
| D422,652 | S | * | 4/2000 | Watanabe | | D21/564 |
| D457,198 | S | * | 5/2002 | Yamazaki | | D21/456 |

* cited by examiner

Primary Examiner—Philip S. Hyder

Assistant Examiner—C. Tuttle

(74) *Attorney, Agent, or Firm*—Oliff & Berridge, PLC

(57) **CLAIM**

The ornamental design for a training toy, as shown and described.

DESCRIPTION

FIG. 1 is a front perspective view of a training toy; FIG. 2 is a front perspective view thereof showing balls used with the training toy; FIG. 3 is a front view thereof; FIG. 4 is a rear view thereof; FIG. 5 is a top view thereof; FIG. 6 is a bottom view thereof; FIG. 7 is a left side view thereof; and, FIG. 8 is a right side view thereof.

The broken line showing of the balls in FIG. 2 is for illustrative purposes only and forms no part of the claimed design.

The outer broken line circle on the left hand side of FIG. 6 defines the bounds of the claimed design within the adjacent shaded area; all other broken lines in FIG. 6 are for illustrative purposes only; and neither the broken lines nor the unshaded areas of FIG. 6 form any part of the claimed design.

1 Claim, 6 Drawing Sheets

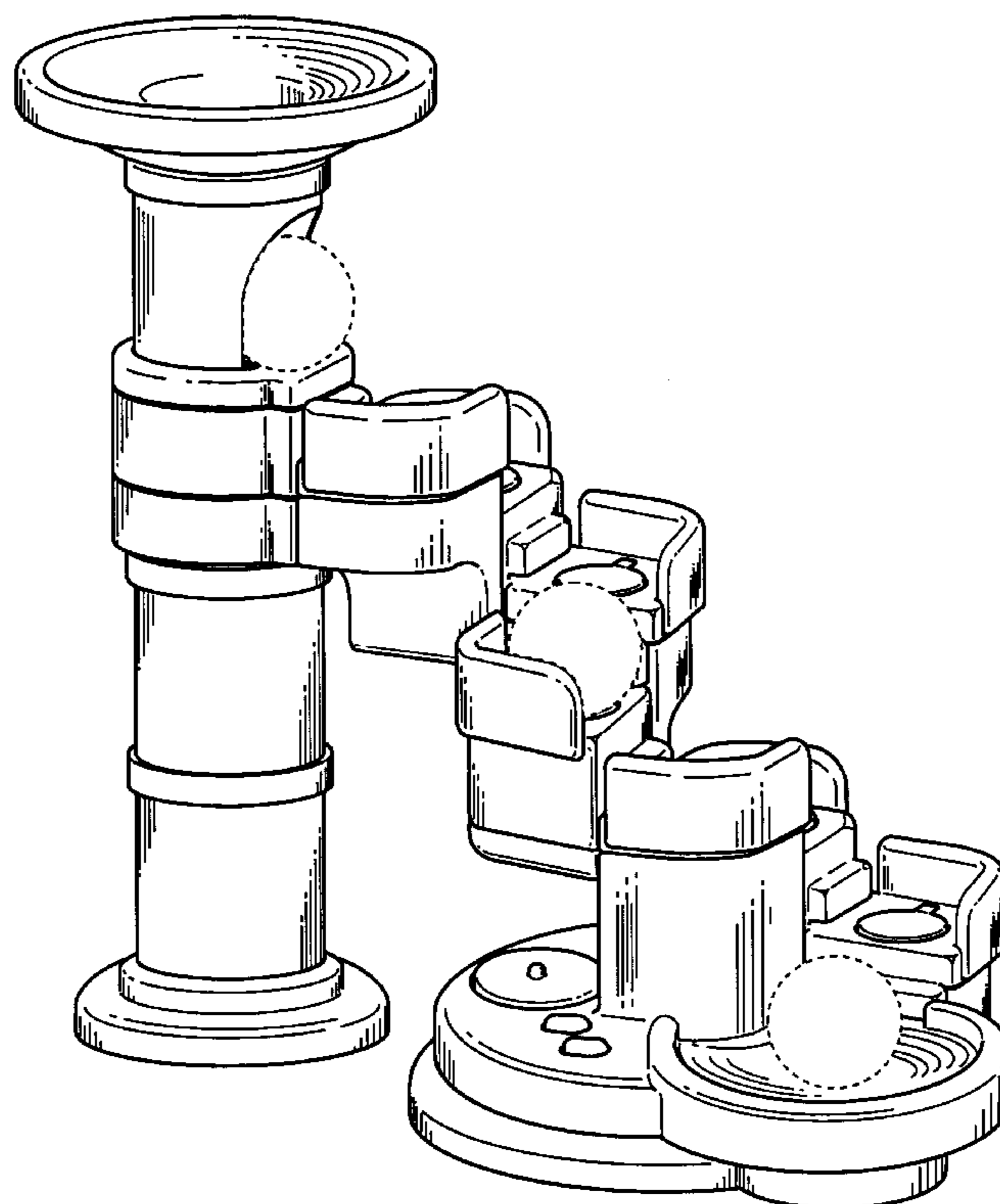


Fig. 1

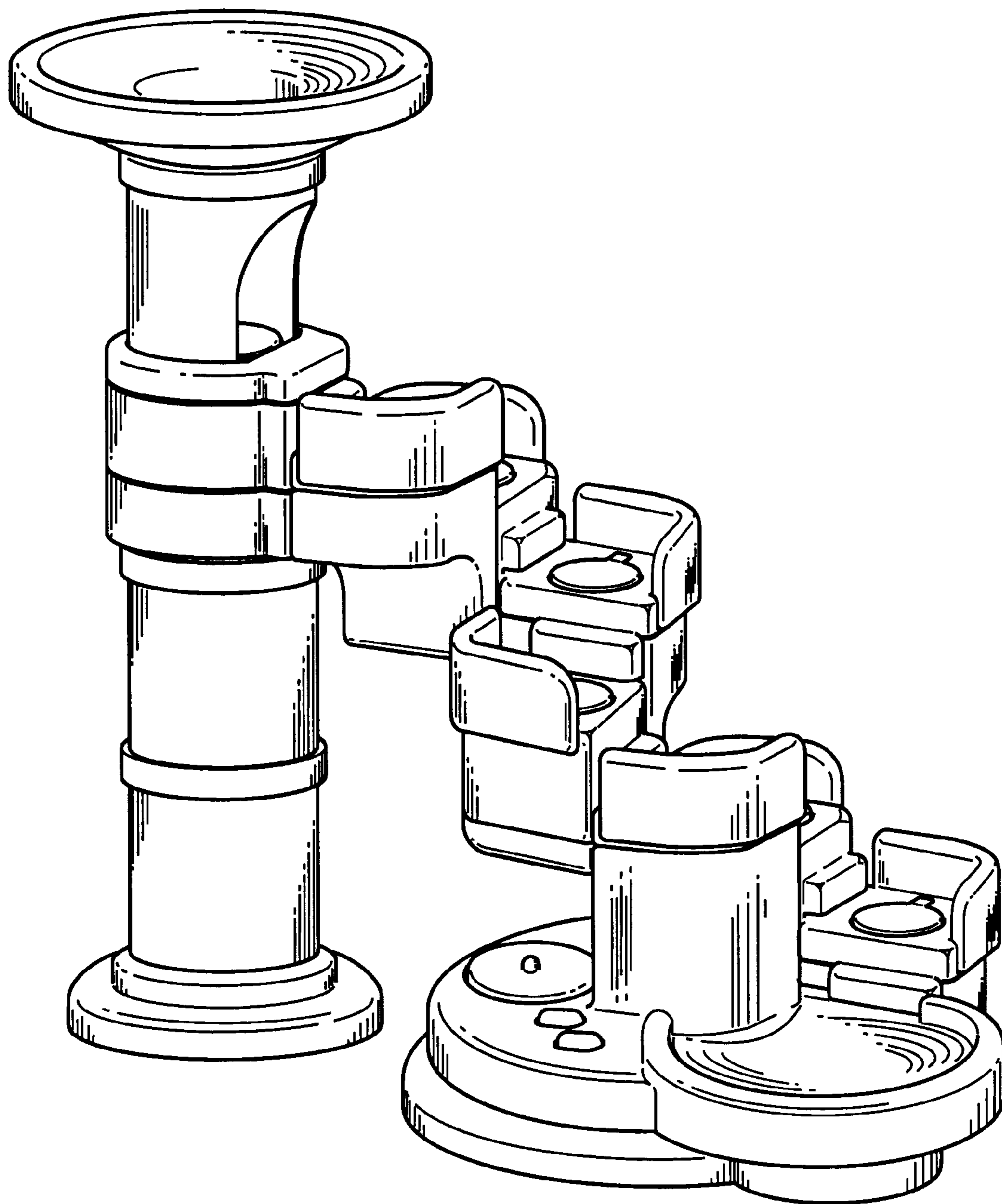


Fig. 2

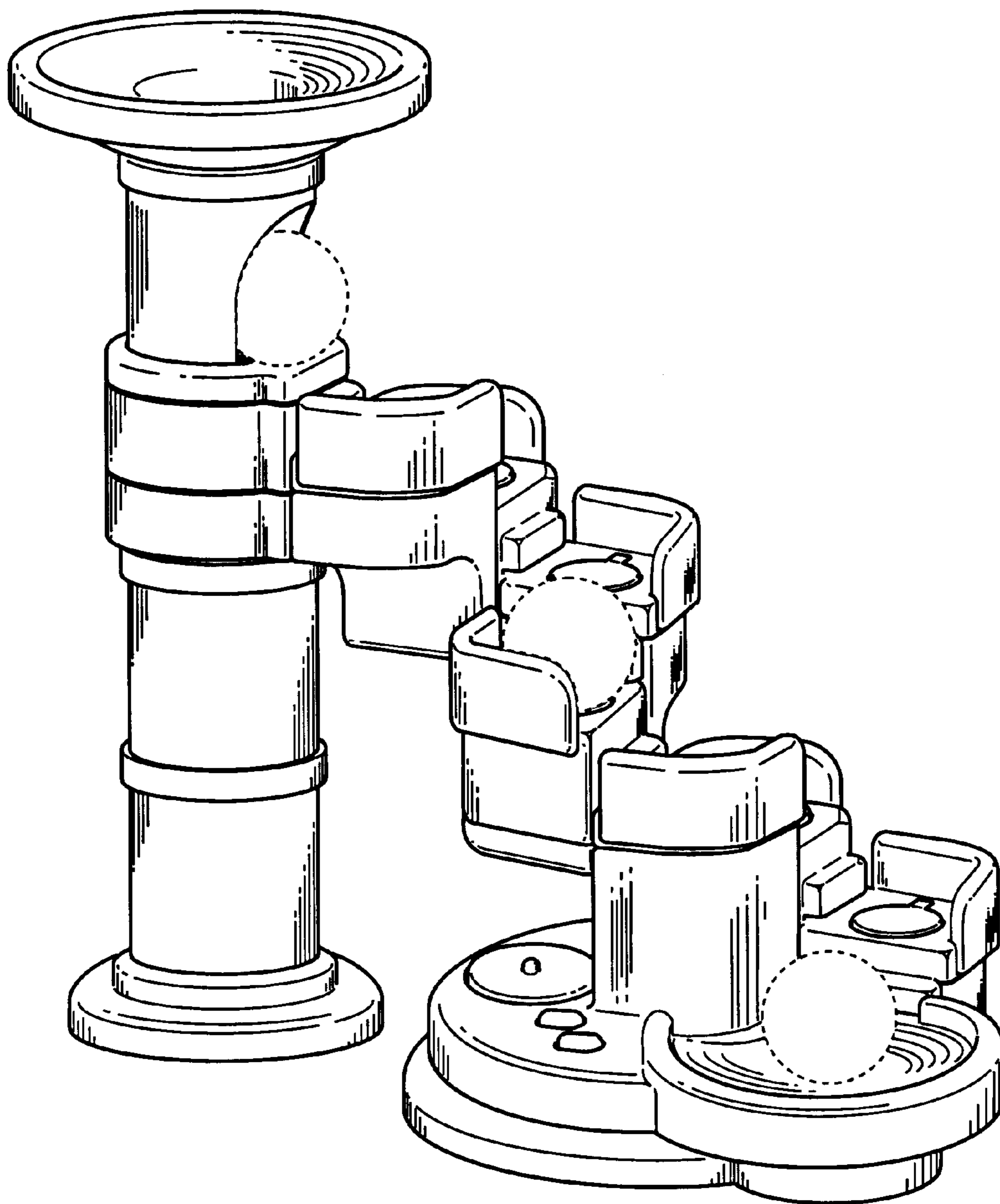


Fig.3

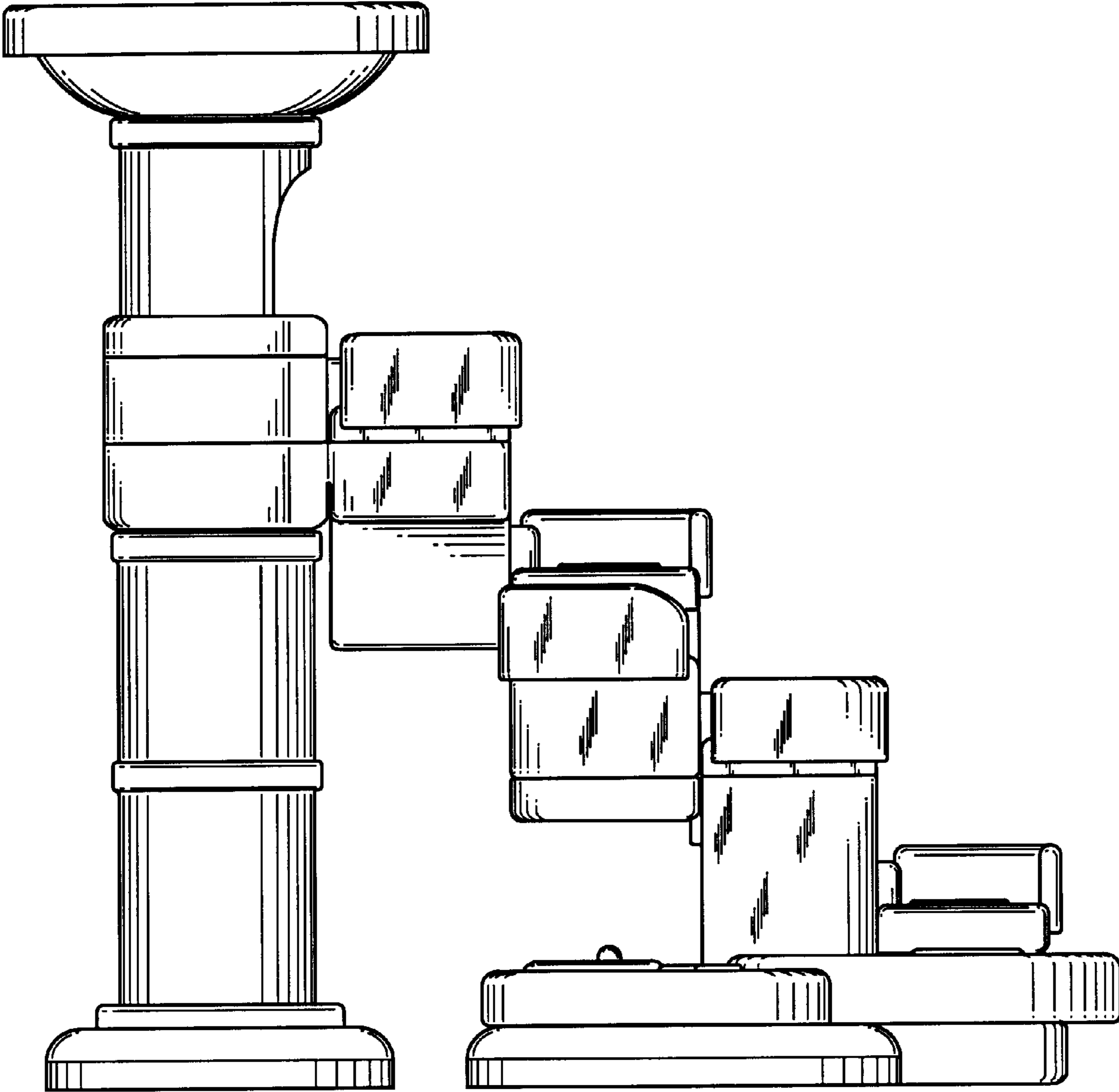


Fig.4

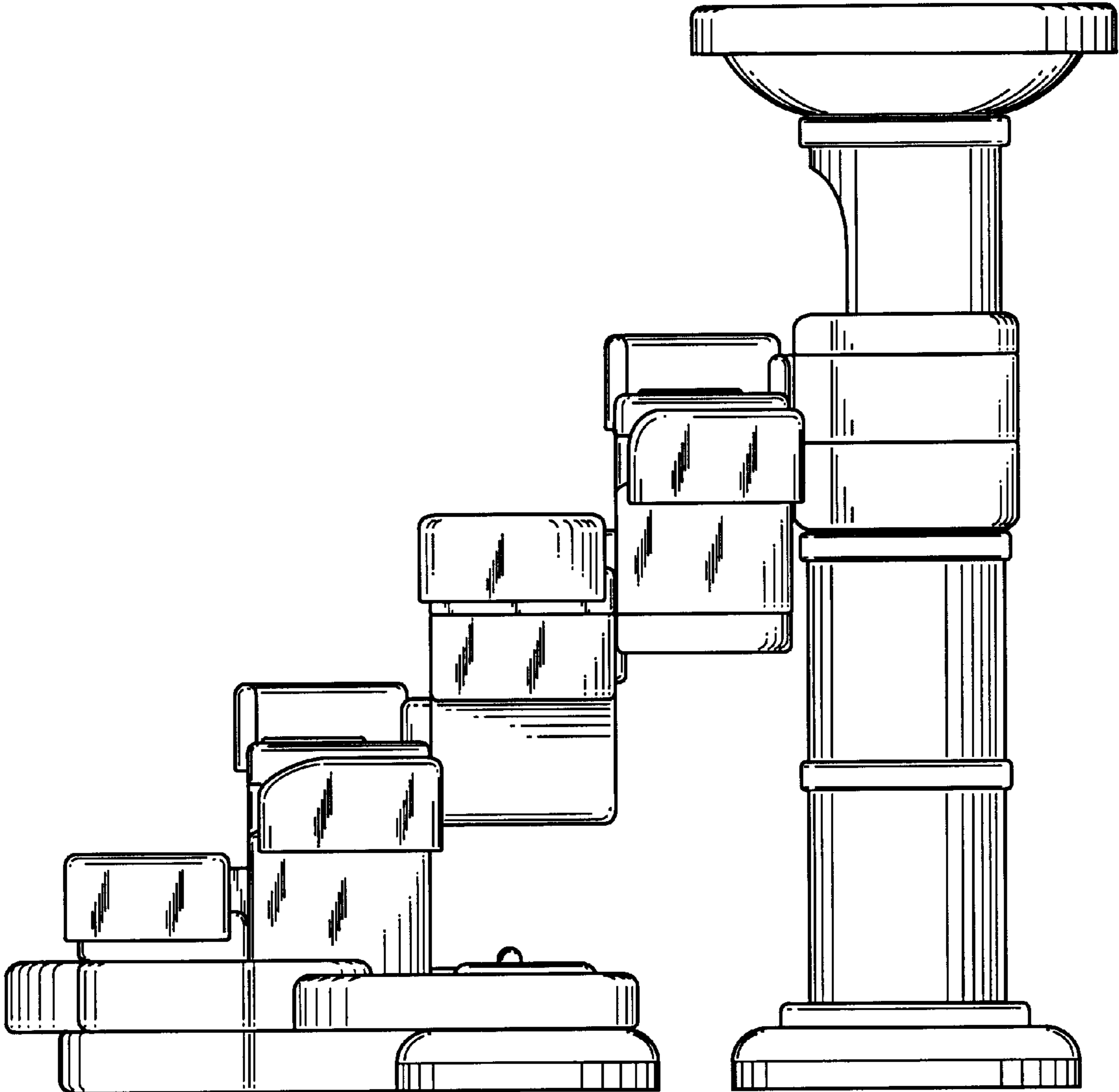


Fig.5

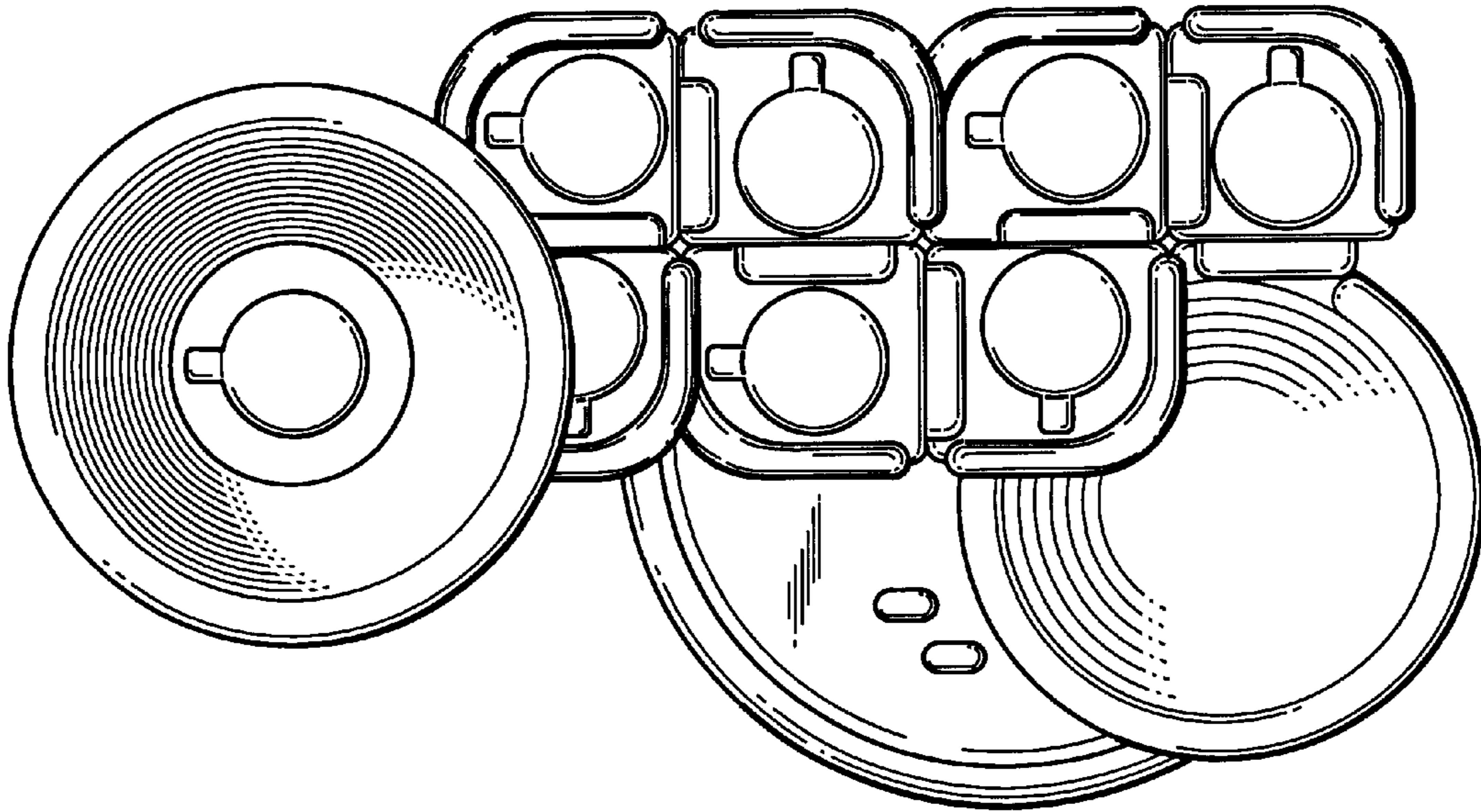


Fig.6

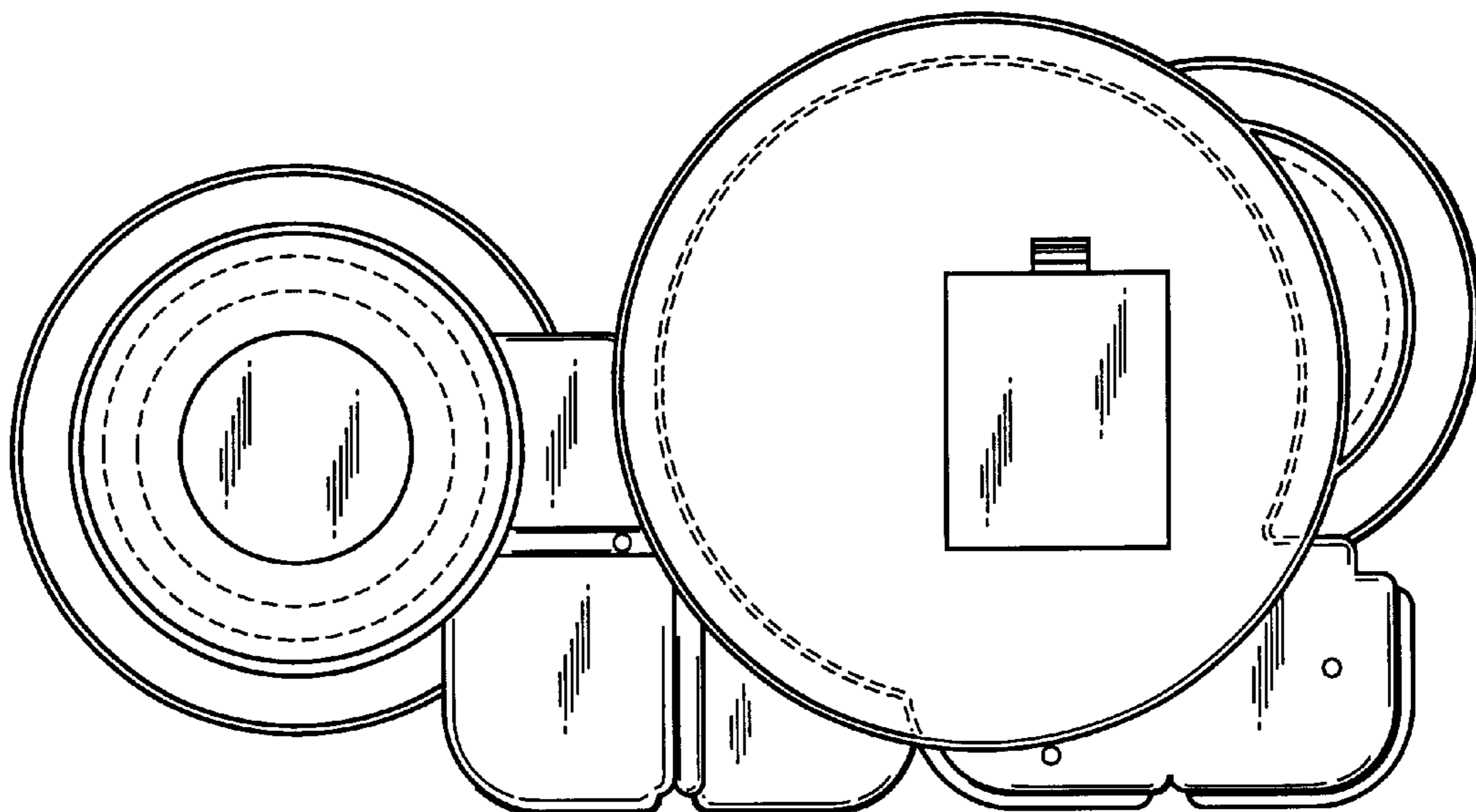


Fig.7

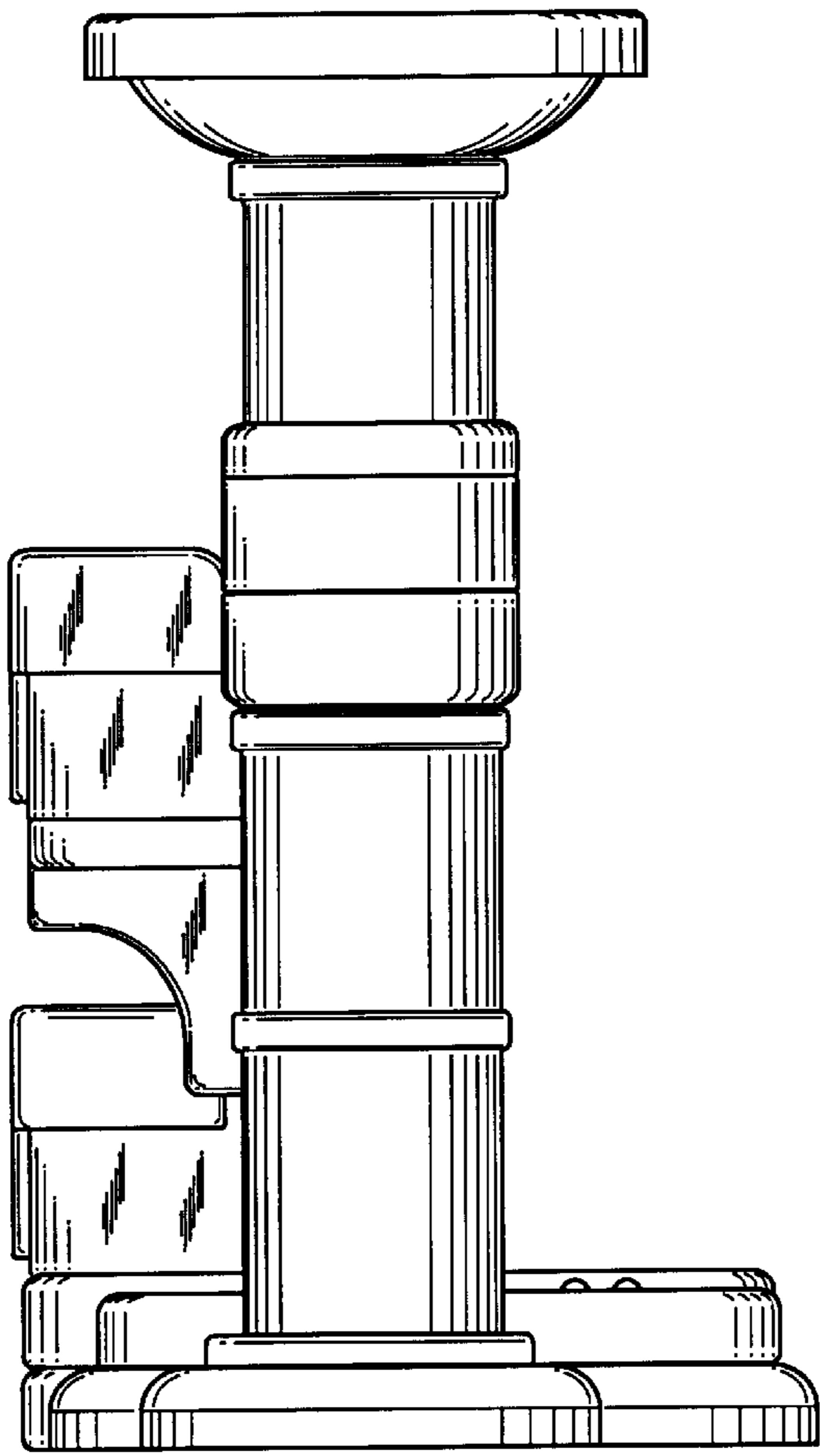
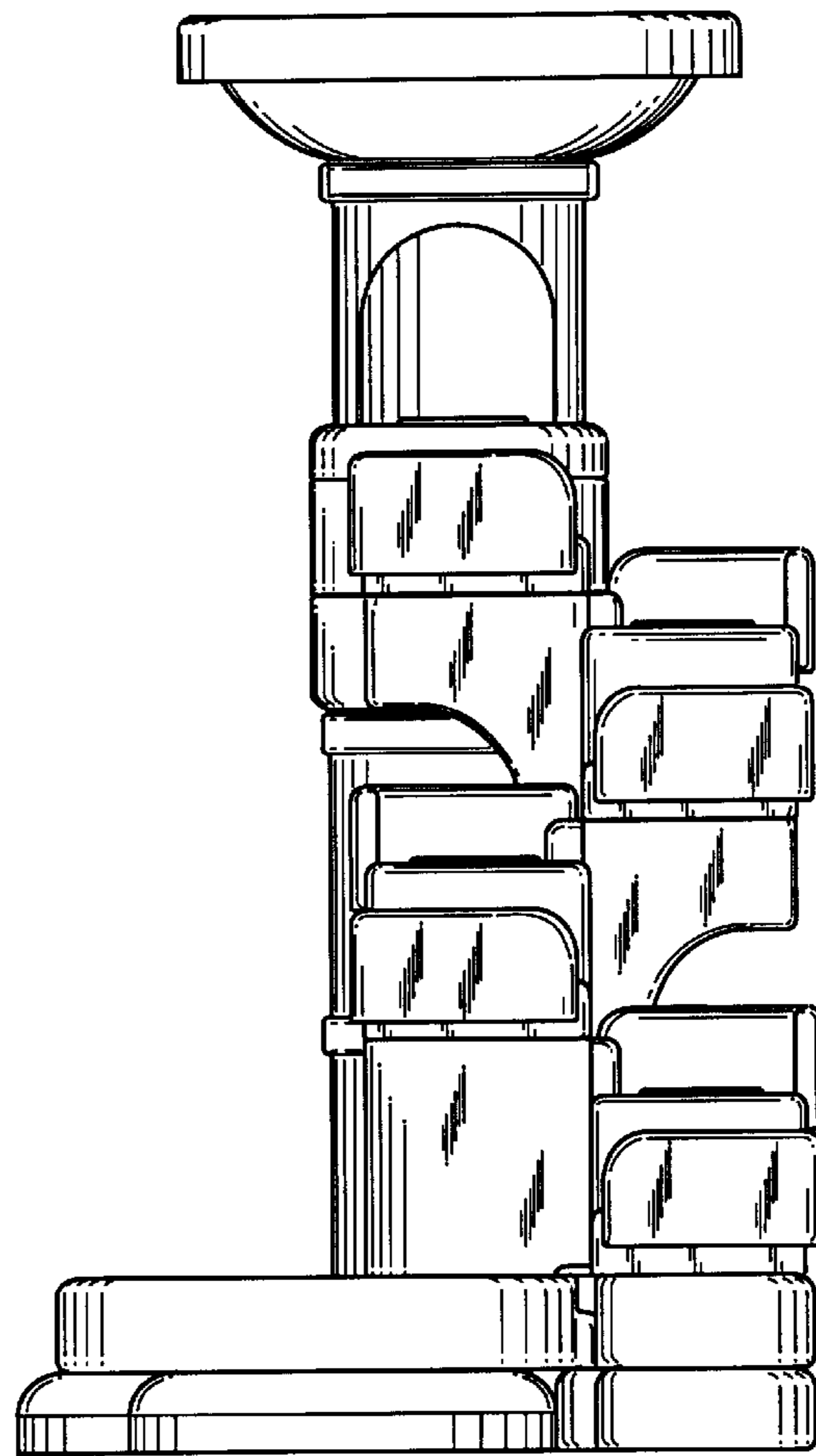


Fig.8



UNITED STATES PATENT AND TRADEMARK OFFICE
CERTIFICATE OF CORRECTION

PATENT NO. : Des. 492,736 S
DATED : July 6, 2004
INVENTOR(S) : Hideyuki Kato

Page 1 of 7

It is certified that error appears in the above-identified patent and that said Letters Patent is hereby corrected as shown below:

Drawings.

Please substitute the attached drawings for the drawings issued with the above-identified patent.

Signed and Sealed this

Fourth Day of January, 2005

A handwritten signature in black ink on a light gray dotted background. The signature reads "Jon W. Dudas" in a cursive style.

JON W. DUDAS

Director of the United States Patent and Trademark Office

(12) **United States Design Patent** (10) **Patent No.:** **US D492,736 S**
Kato (45) **Date of Patent:** **** Jul. 6, 2004**

(54) **TRAINING TOY**

(75) Inventor: **Hideyuki Kato, Katsushika-ku (JP)**

(73) Assignee: **Tomy Company, Ltd., Tokyo (JP)**

(**) Term: **14 Years**

(21) Appl. No.: **29/159,295**

(22) Filed: **Apr. 19, 2002**

(30) **Foreign Application Priority Data**

Oct. 24, 2001 (JP) 2001-031162

(51) **LOC (7) Cl.** **21-01**

(52) **U.S. Cl.** **D21/398; D21/456**

(58) **Field of Search** **D21/300, 310, D21/398, 405, 456, 459, 564, 565; 446/168-174, 241; 273/108-113, 117, 118, 118 R, 120 R, 121, 123 RA, 127, 128, 138.1, 138.3, 138.4, 139**

(56) **References Cited**

U.S. PATENT DOCUMENTS

| | | | |
|---------------|---------|----------------|-----------|
| 326,078 A * | 9/1885 | Wood | 273/120 R |
| 1,274,979 A * | 8/1918 | Bliley | 446/171 |
| 4,713,038 A * | 12/1987 | Wichman et al. | 446/168 |
| 4,932,917 A * | 6/1990 | Klitsner | 446/168 |
| 5,312,285 A * | 5/1994 | Rieber et al. | 446/168 |
| D422,652 S * | 4/2000 | Watanabe | D21/564 |
| D457,198 S * | 5/2002 | Yamazaki | D21/456 |

* cited by examiner

Primary Examiner—Philip S. Hyder

Assistant Examiner—C. Tuttle

(74) *Attorney, Agent, or Firm*—Oliff & Berridge, PLC

(57) **CLAIM**

The ornamental design for a training toy, as shown and described.

DESCRIPTION

FIG. 1 is a front perspective view of a training toy; FIG. 2 is a front perspective view thereof showing balls used with the training toy;

FIG. 3 is a front view thereof;

FIG. 4 is a rear view thereof;

FIG. 5 is a top view thereof;

FIG. 6 is a bottom view thereof;

FIG. 7 is a left side view thereof; and,

FIG. 8 is a right side view thereof.

The broken line showing of the balls in FIG. 2 is for illustrative purposes only and forms no part of the claimed design.

The outer broken line circle on the left hand side of FIG. 6 defines the bounds of the claimed design within the adjacent shaded area; all other broken lines in FIG. 6 are for illustrative purposes only; and neither the broken lines nor the unshaded areas of FIG. 6 form any part of the claimed design.

1 Claim, 6 Drawing Sheets

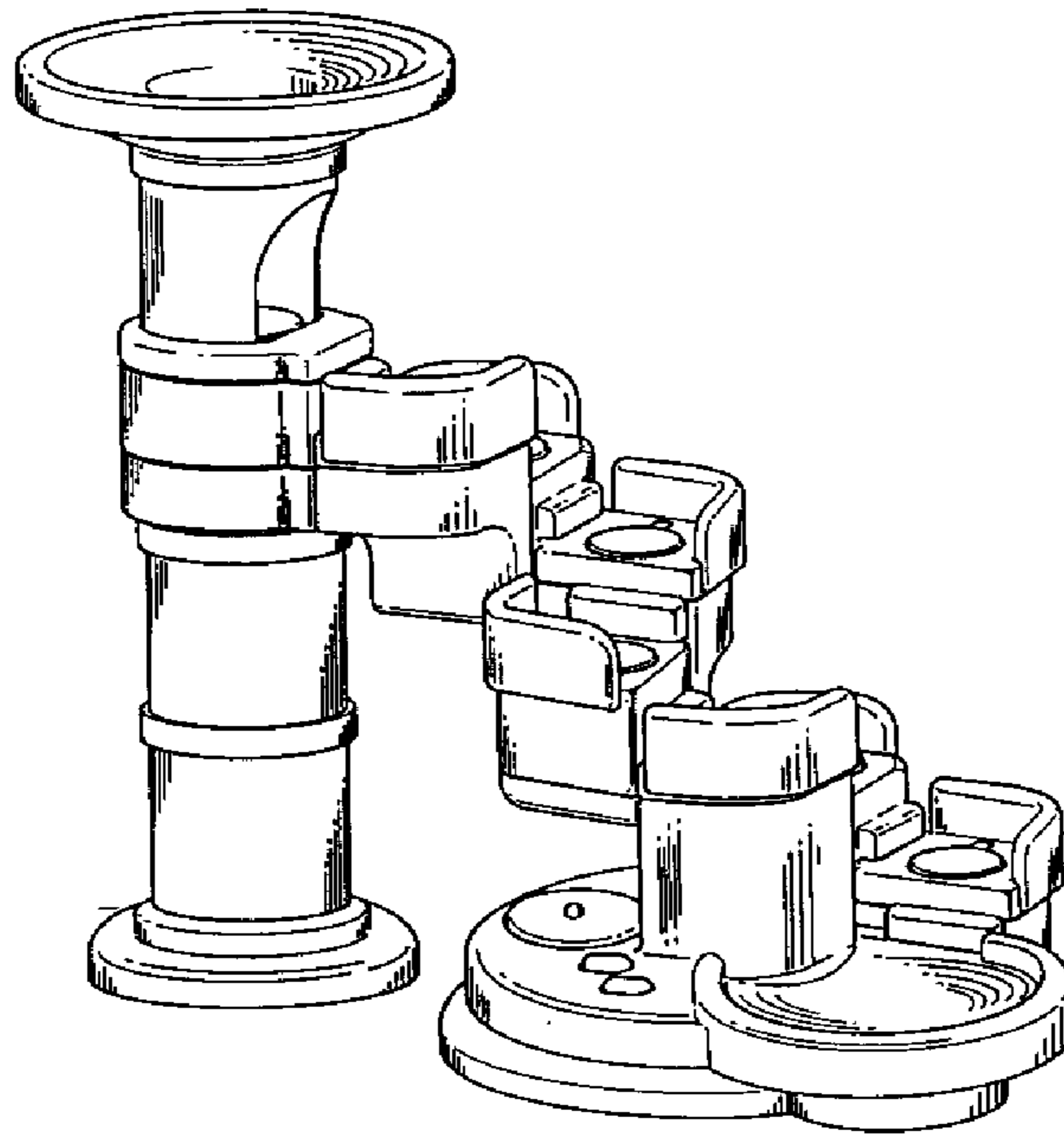


Fig. 2

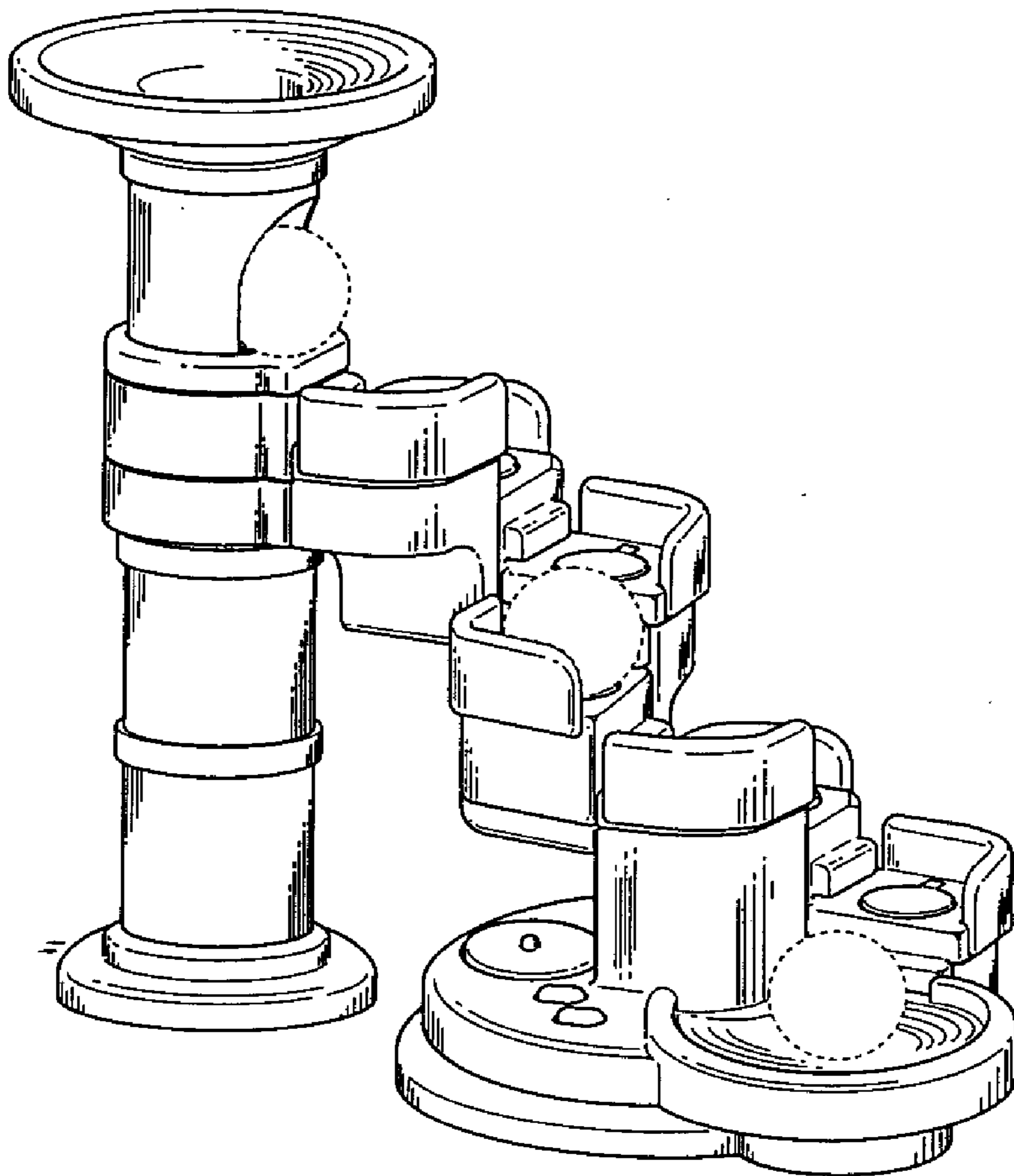


Fig.3

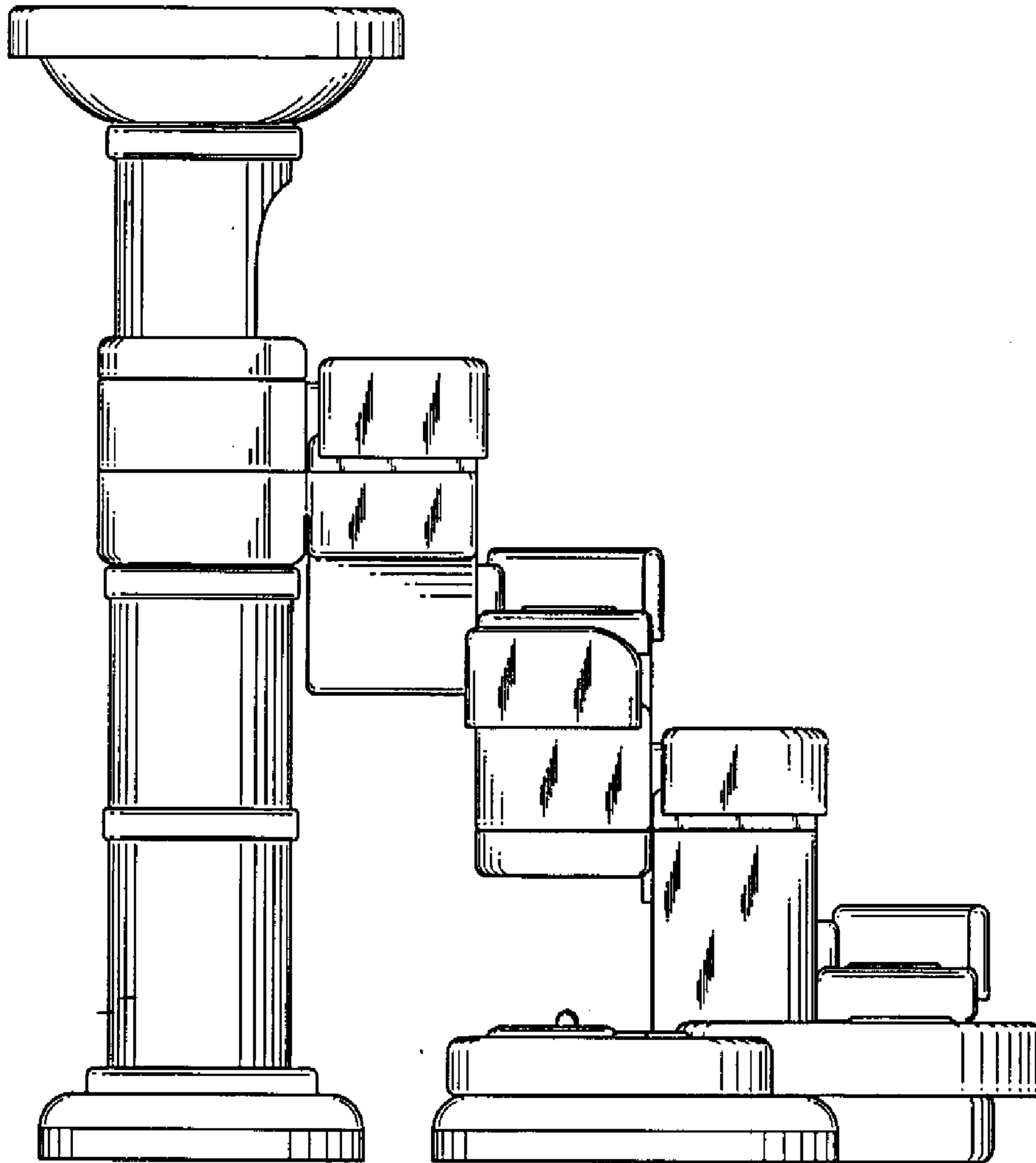


Fig. 4

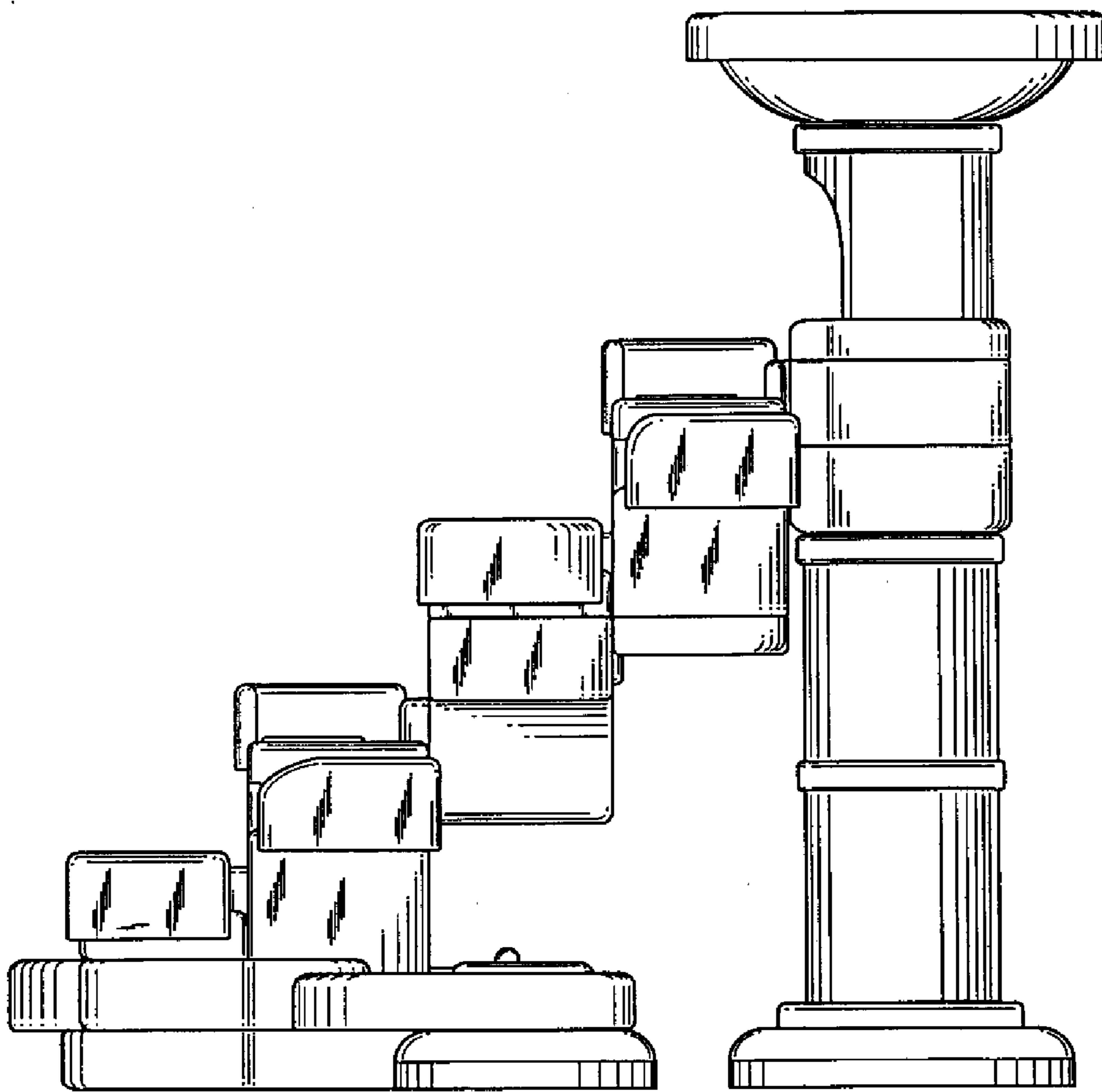


Fig.5

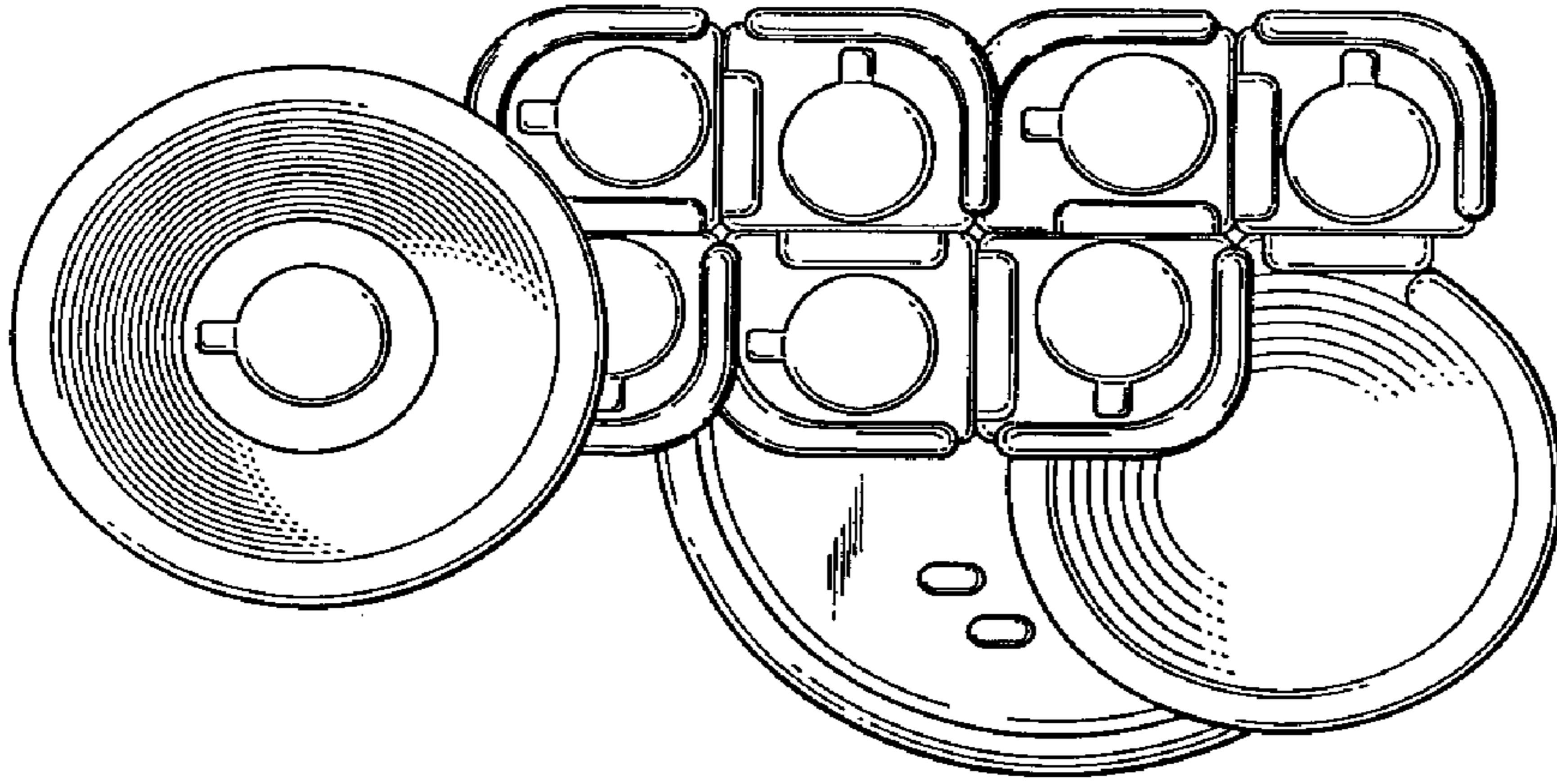


Fig.6

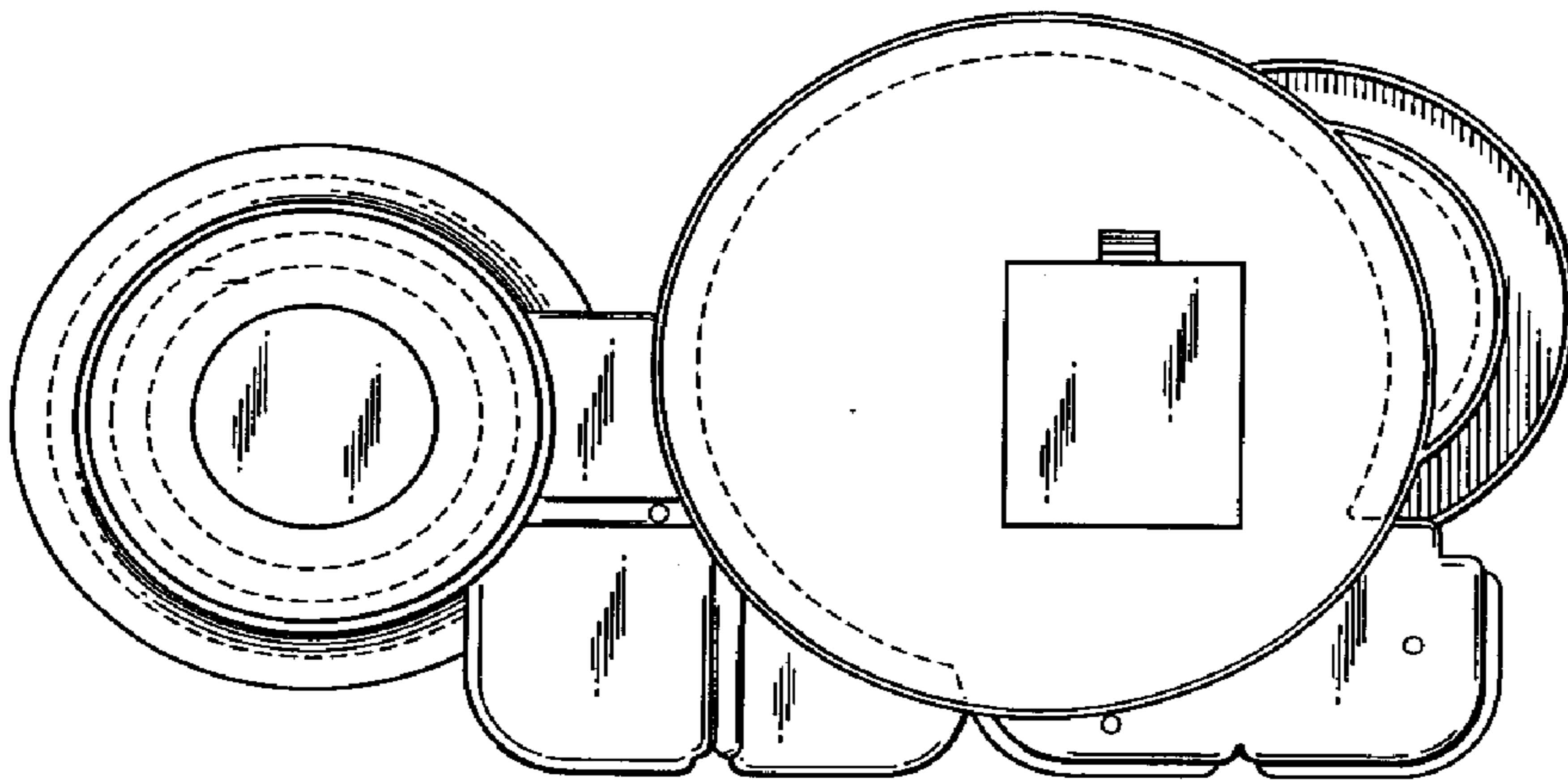
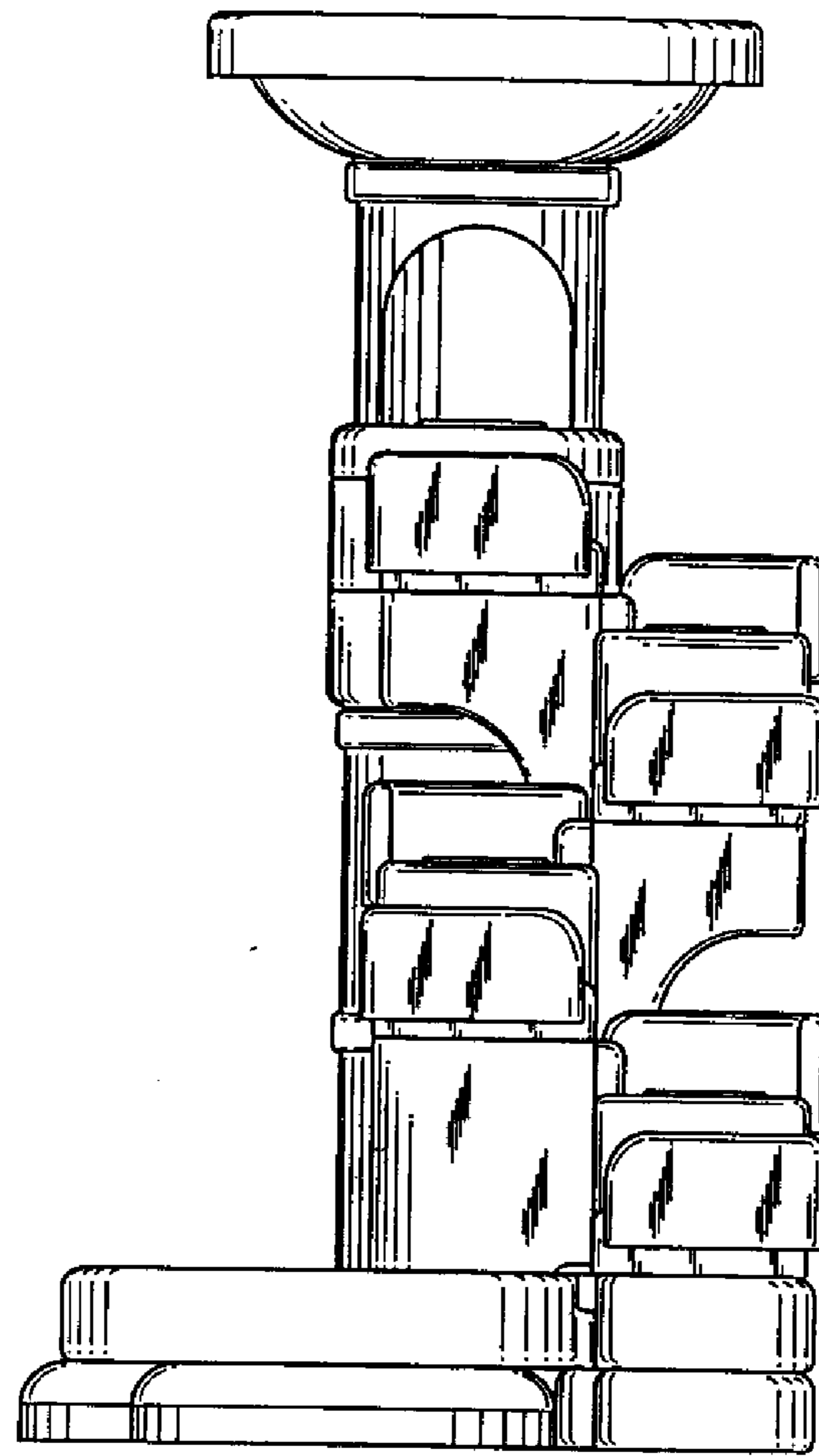
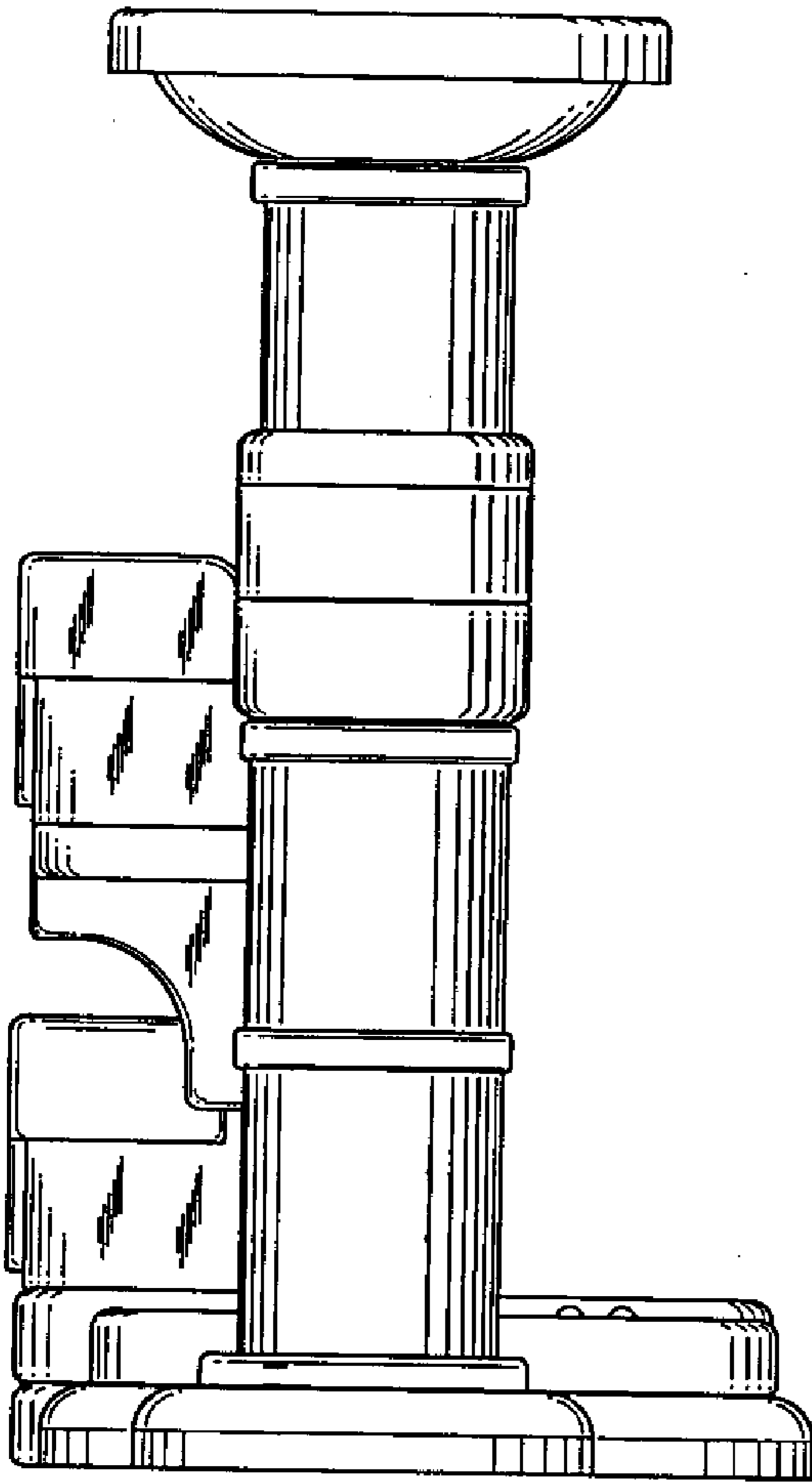


Fig.7

Fig.8



UNITED STATES PATENT AND TRADEMARK OFFICE
CERTIFICATE OF CORRECTION

PATENT NO. : Des. 492,736 S
DATED : July 6, 2004
INVENTOR(S) : Hideyuki Kato

Page 1 of 8

It is certified that error appears in the above-identified patent and that said Letters Patent is hereby corrected as shown below:

Drawings.

Please substitute the attached drawings for the drawings issued with the above-identified patent.

This certificate supersedes Certificate of Correction issued January 4, 2005.

Signed and Sealed this

Sixteenth Day of August, 2005

A handwritten signature in black ink on a light gray dotted background. The signature reads "Jon W. Dudas" in a cursive, stylized script.

JON W. DUDAS

Director of the United States Patent and Trademark Office

(12) **United States Design Patent** (10) **Patent No.:** **US D492,736 S**
Kato (45) **Date of Patent:** **** Jul. 6, 2004**

(54) **TRAINING TOY**

(75) Inventor: **Hideyuki Kato**, Katsushika-ku (JP)

(73) Assignee: **Tomy Company, Ltd.**, Tokyo (JP)

(**) Term: **14 Years**

(21) Appl. No.: **29/159,295**

(22) Filed: **Apr. 19, 2002**

(30) **Foreign Application Priority Data**

Oct. 24, 2001 (JP) 2001-031162

(51) **LOC (7) Cl.** **21-01**

(52) **U.S. Cl.** **D21/398; D21/456**

(58) **Field of Search** **D21/300, 310, D21/398, 405, 456, 459, 564, 565; 446/168-174, 241; 273/108-113, 117, 118, 118 R, 120 R, 121, 123 RA, 127, 128, 138.1, 138.3, 138.4, 139**

(56) **References Cited**

U.S. PATENT DOCUMENTS

| | | | | |
|-------------|---|---------|----------------|-----------|
| 326,078 A | * | 9/1885 | Wood | 273/120 R |
| 1,274,979 A | * | 8/1918 | Bliley | 446/171 |
| 4,713,038 A | * | 12/1987 | Wichman et al. | 446/168 |
| 4,932,917 A | * | 6/1990 | Klitsner | 446/168 |
| 5,312,285 A | * | 5/1994 | Rieber et al. | 446/168 |
| D422,652 S | * | 4/2000 | Watanabe | D21/564 |
| D457,198 S | * | 5/2002 | Yamazaki | D21/456 |

* cited by examiner

Primary Examiner—Philip S. Hyder

Assistant Examiner—C. Tuttle

(74) *Attorney, Agent, or Firm*—Oliff & Berridge, PLC

(57) **CLAIM**

The ornamental design for a training toy, as shown and described.

DESCRIPTION

FIG. 1 is a front perspective view of a training toy; FIG. 2 is a front perspective view thereof showing balls used with the training toy;

FIG. 3 is a front view thereof;

FIG. 4 is a rear view thereof;

FIG. 5 is a top view thereof;

FIG. 6 is a bottom view thereof;

FIG. 7 is a left side view thereof; and,

FIG. 8 is a right side view thereof.

The broken line showing of the balls in FIG. 2 is for illustrative purposes only and forms no part of the claimed design.

The outer broken line circle on the left hand side of FIG. 6 defines the bounds of the claimed design within the adjacent shaded area; all other broken lines in FIG. 6 are for illustrative purposes only; and neither the broken lines nor the unshaded areas of FIG. 6 form any part of the claimed design.

1 Claim, 6 Drawing Sheets

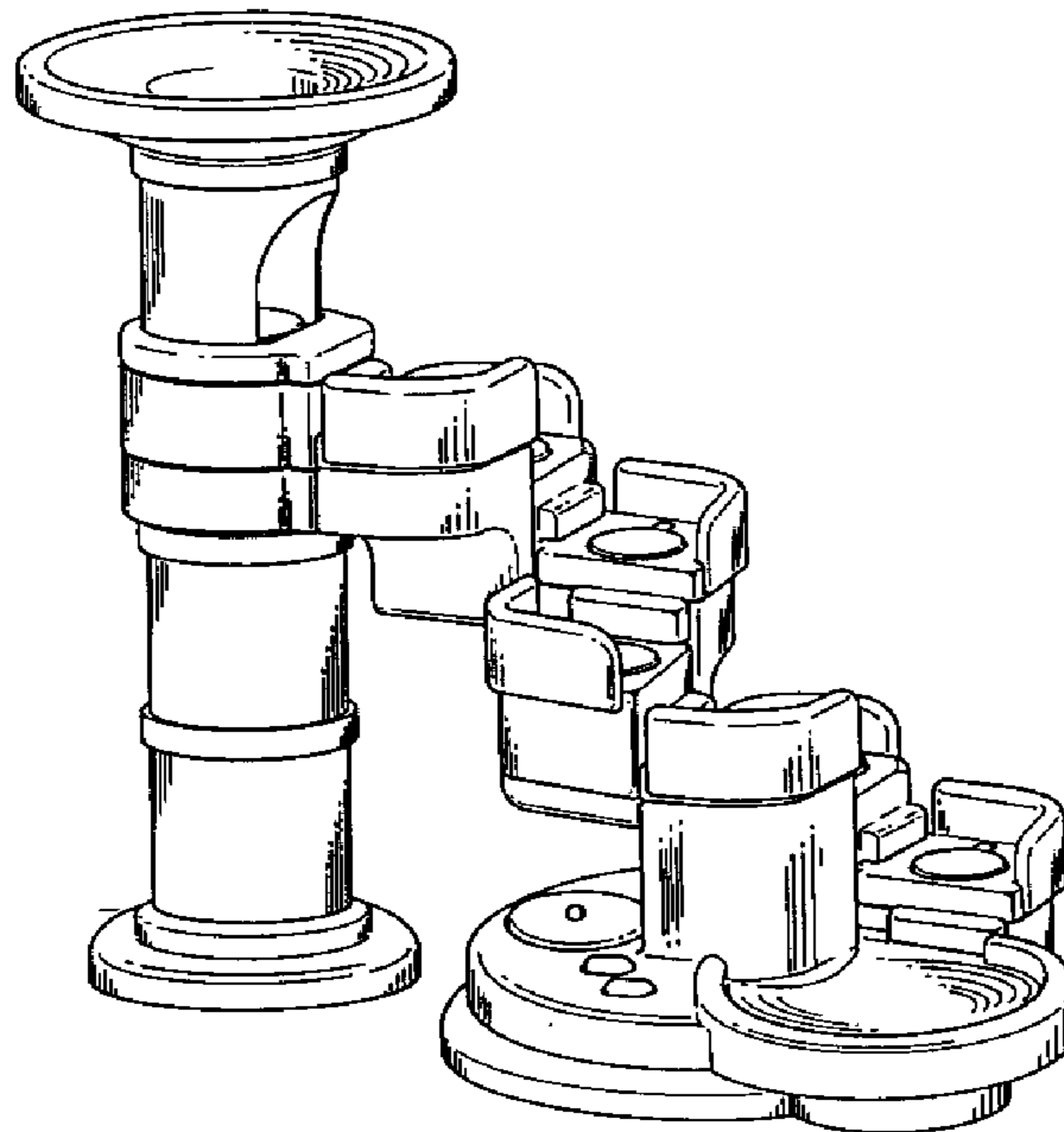


Fig. 1

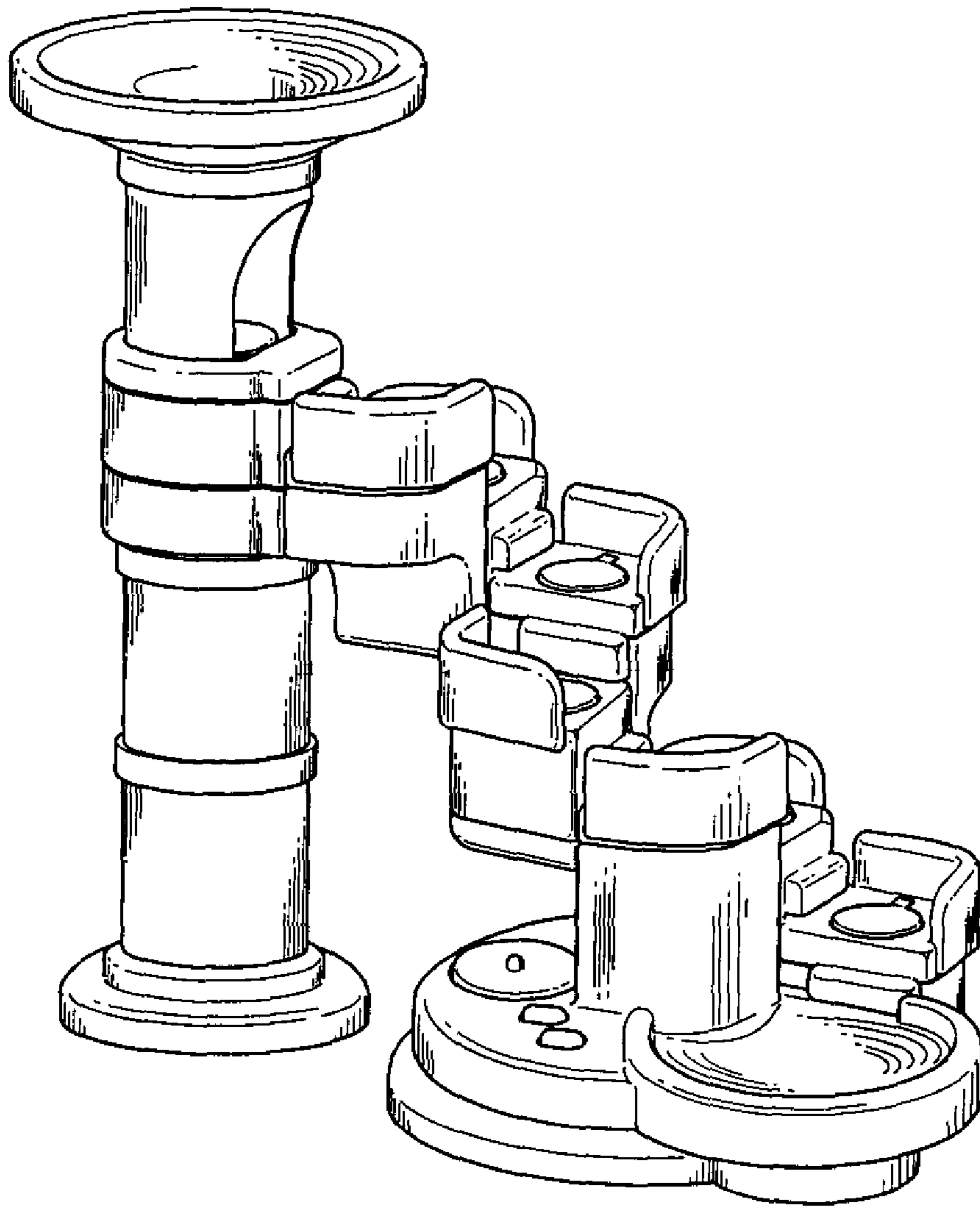


Fig. 2

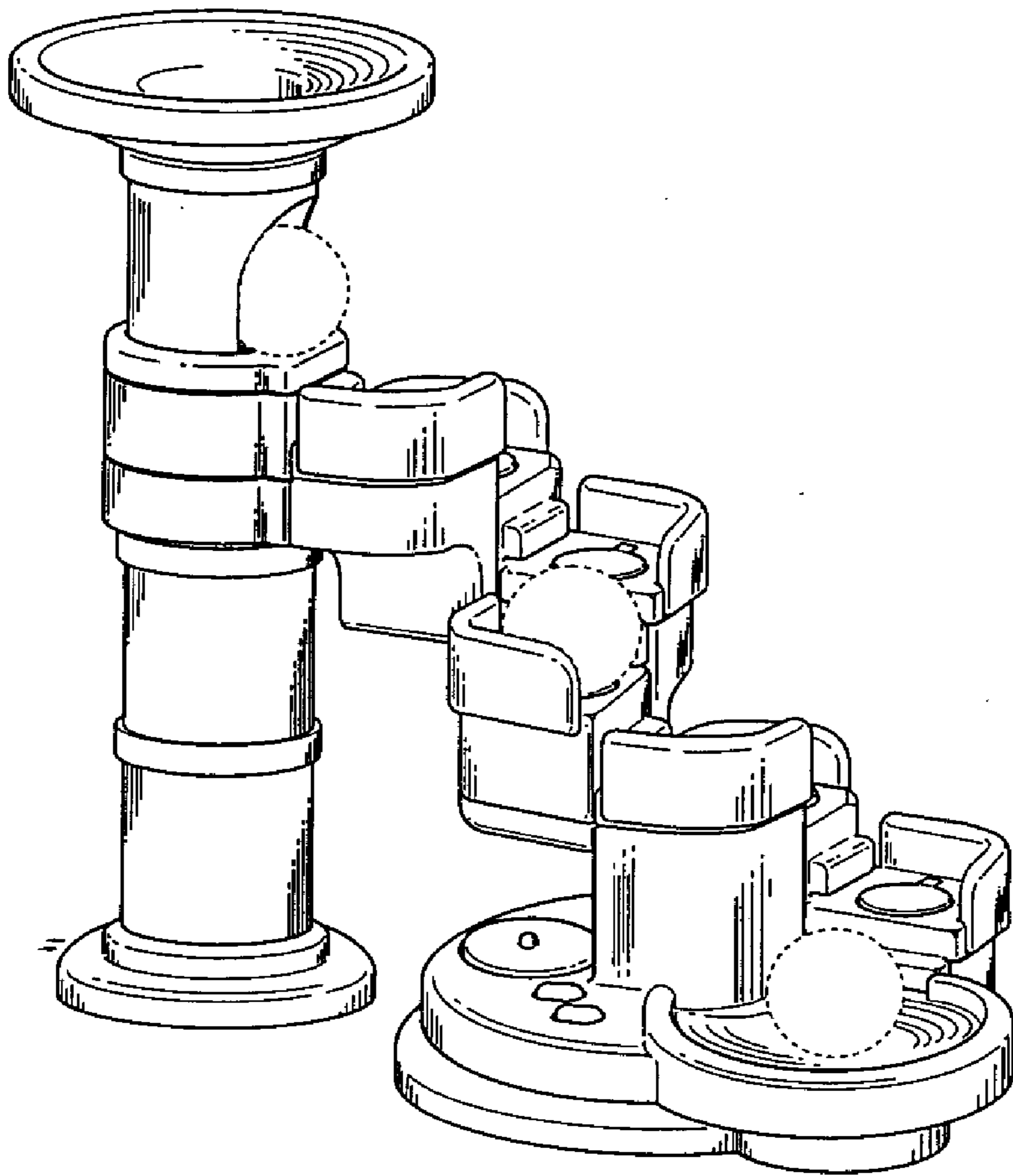


Fig.3

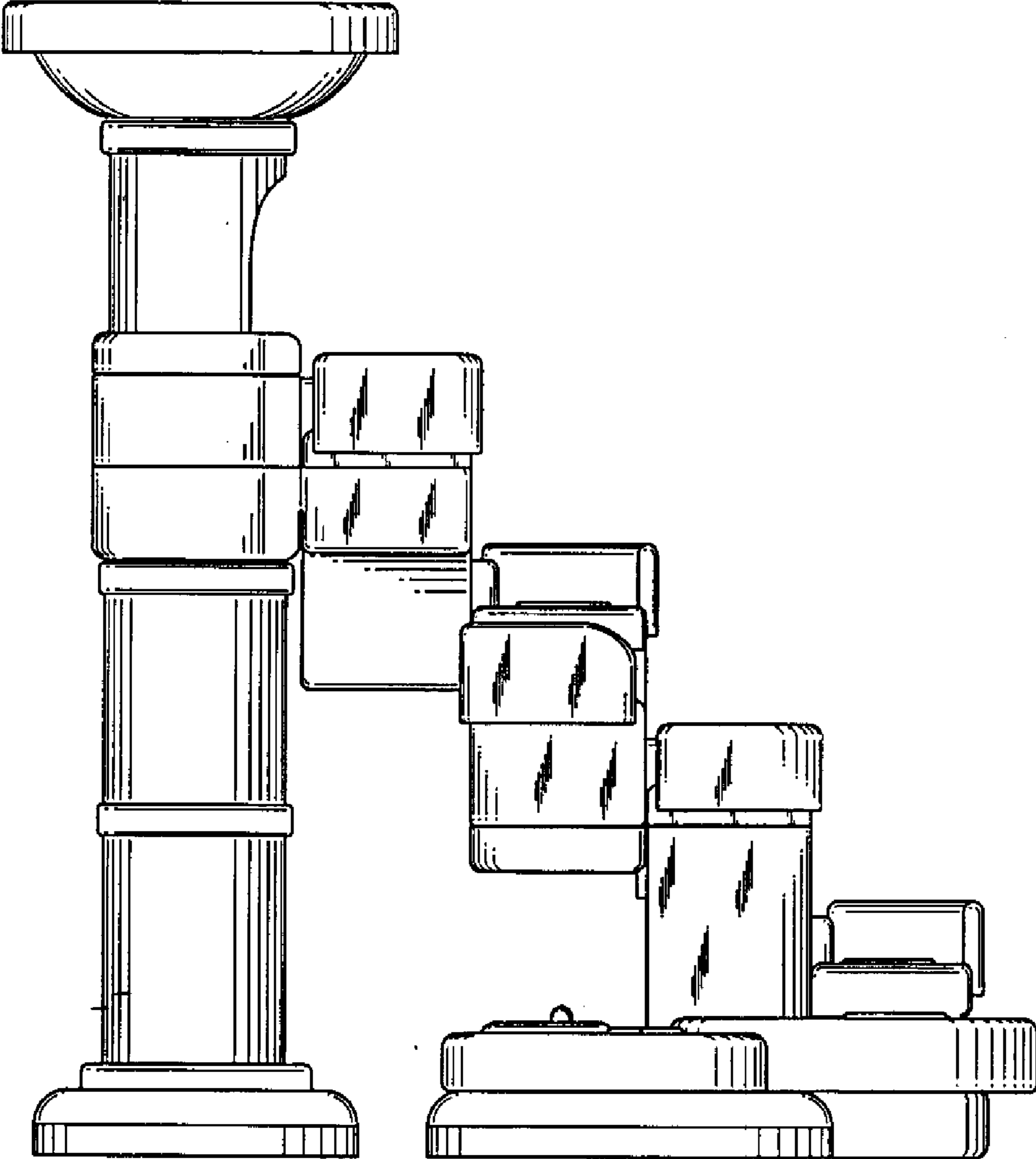


Fig.4

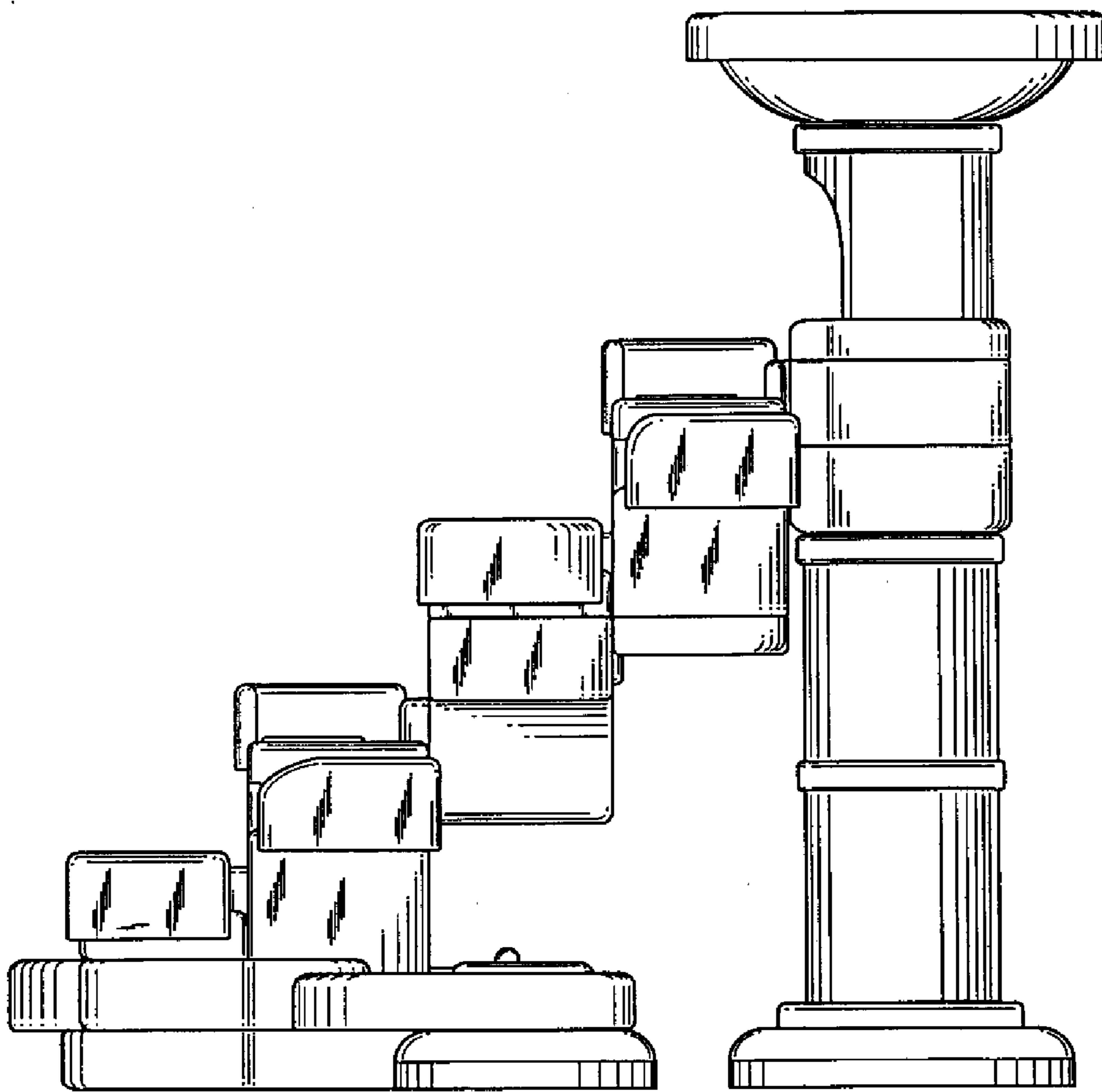


Fig.5

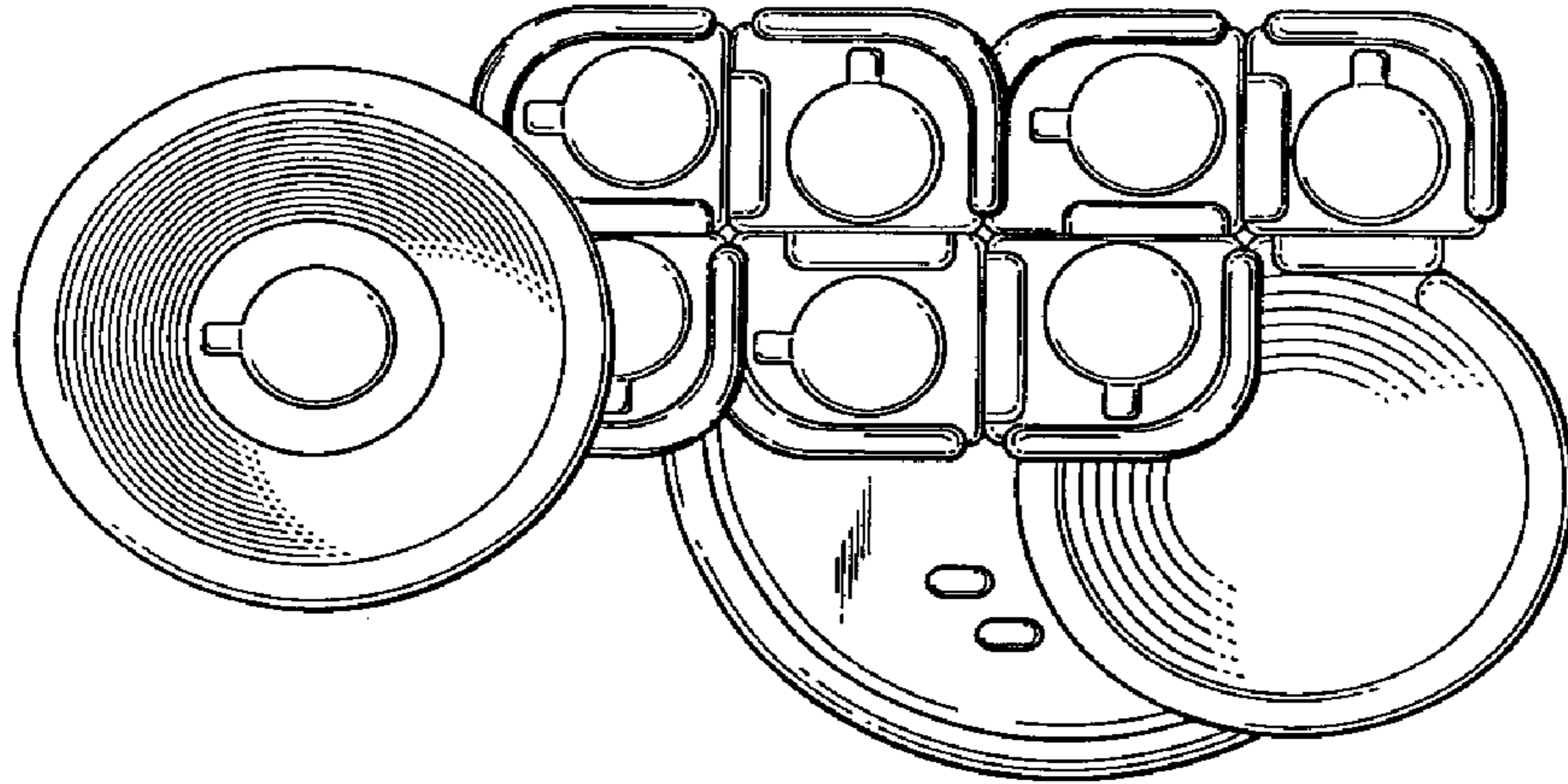


Fig.6

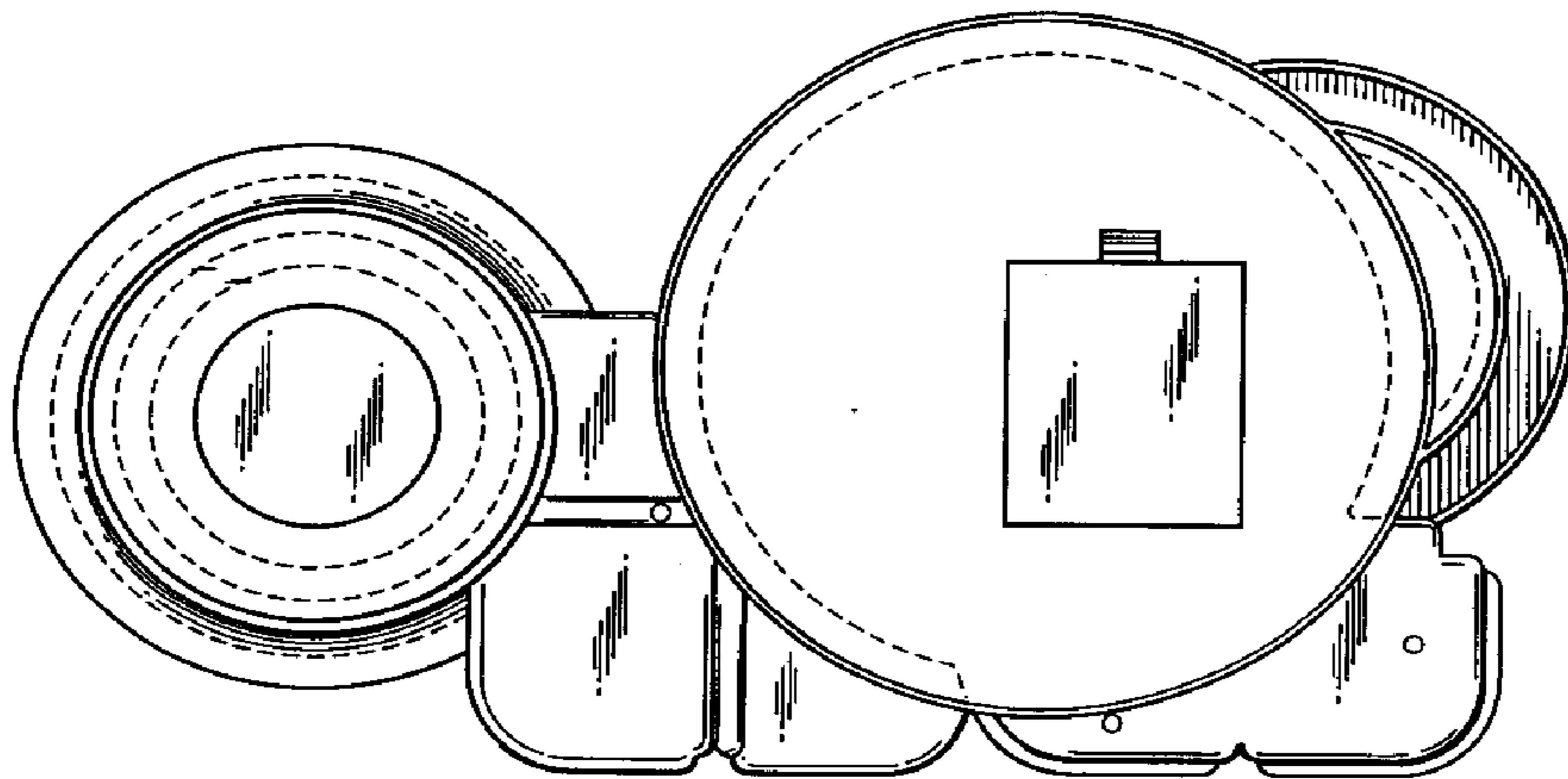


Fig.7

Fig.8

