



US00D492733S1

(12) **United States Design Patent**  
**Wong**

(10) **Patent No.:** **US D492,733 S**

(45) **Date of Patent:** **\*\* Jul. 6, 2004**

(54) **JOIN 3 BALANCING GAME**  
(75) **Inventor:** **Suet Yuk Milly Wong, Kowloon (HK)**  
(73) **Assignee:** **Maple Toys International Limited,**  
**Kowloon (HK)**

(\*\*) **Term:** **14 Years**

(21) **Appl. No.:** **29/182,234**

(22) **Filed:** **May 23, 2003**

(51) **LOC (7) Cl.** ..... **21-01**

(52) **U.S. Cl.** ..... **D21/337; D21/345; D21/362**

(58) **Field of Search** ..... **D21/334-369;**  
**273/236-285, 449-450**

(56) **References Cited**

**U.S. PATENT DOCUMENTS**

D51,713 S \* 2/1918 Brown ..... D21/345  
2,100,280 A \* 11/1937 Goldberger ..... 273/280

4,589,664 A \* 5/1986 Slimp, Jr. .... 273/258  
5,116,061 A \* 5/1992 Zentner, Jr. .... 273/241  
5,494,292 A \* 2/1996 Mileti ..... 273/241  
D397,730 S \* 9/1998 Golad et al. .... D21/342  
6,318,726 B1 \* 11/2001 Nicholls ..... 273/450

\* cited by examiner

*Primary Examiner*—Sandra L. Morris  
(74) *Attorney, Agent, or Firm*—Rabin & Berdo, P.C.

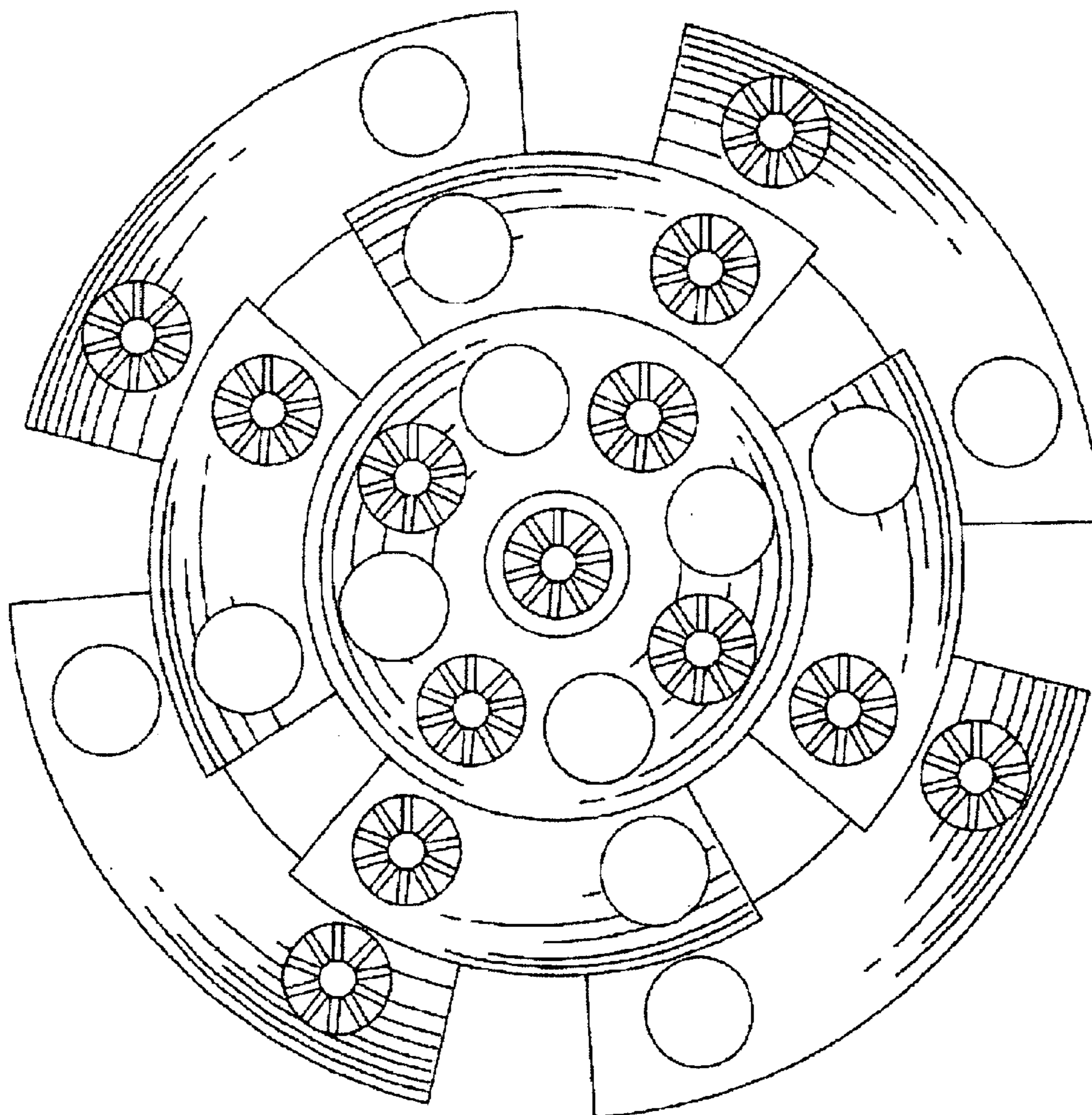
(57) **CLAIM**

The ornamental design for a join 3 balancing game, as shown and described.

**DESCRIPTION**

FIG. 1 is a top plan view of a join 3 balancing game showing my new design;  
FIG. 2 is a right front view thereof; and,  
FIG. 3 is a perspective view thereof.  
The bottom view of the claimed invention is unornamented.

**1 Claim, 3 Drawing Sheets**



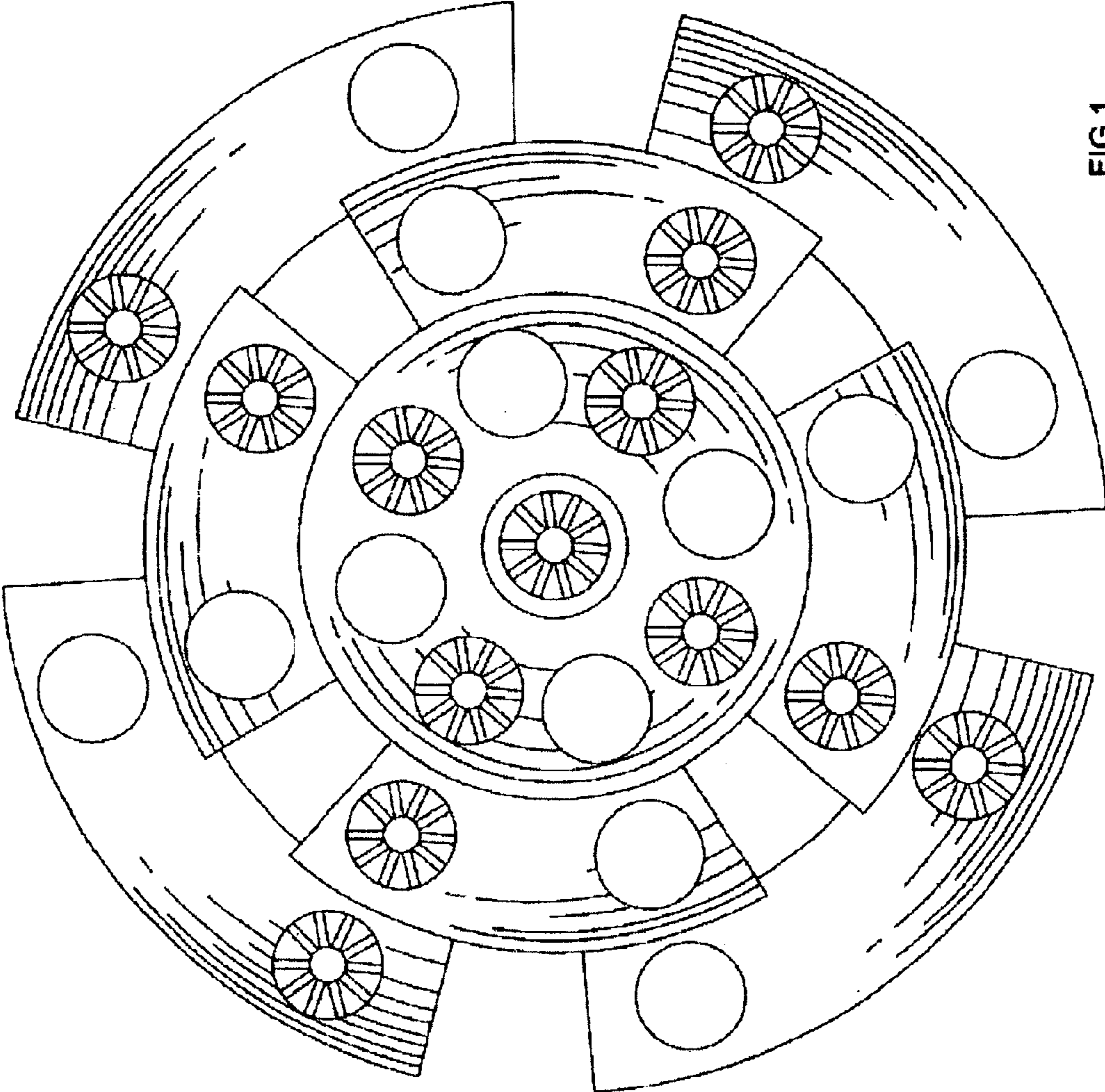


FIG 1.

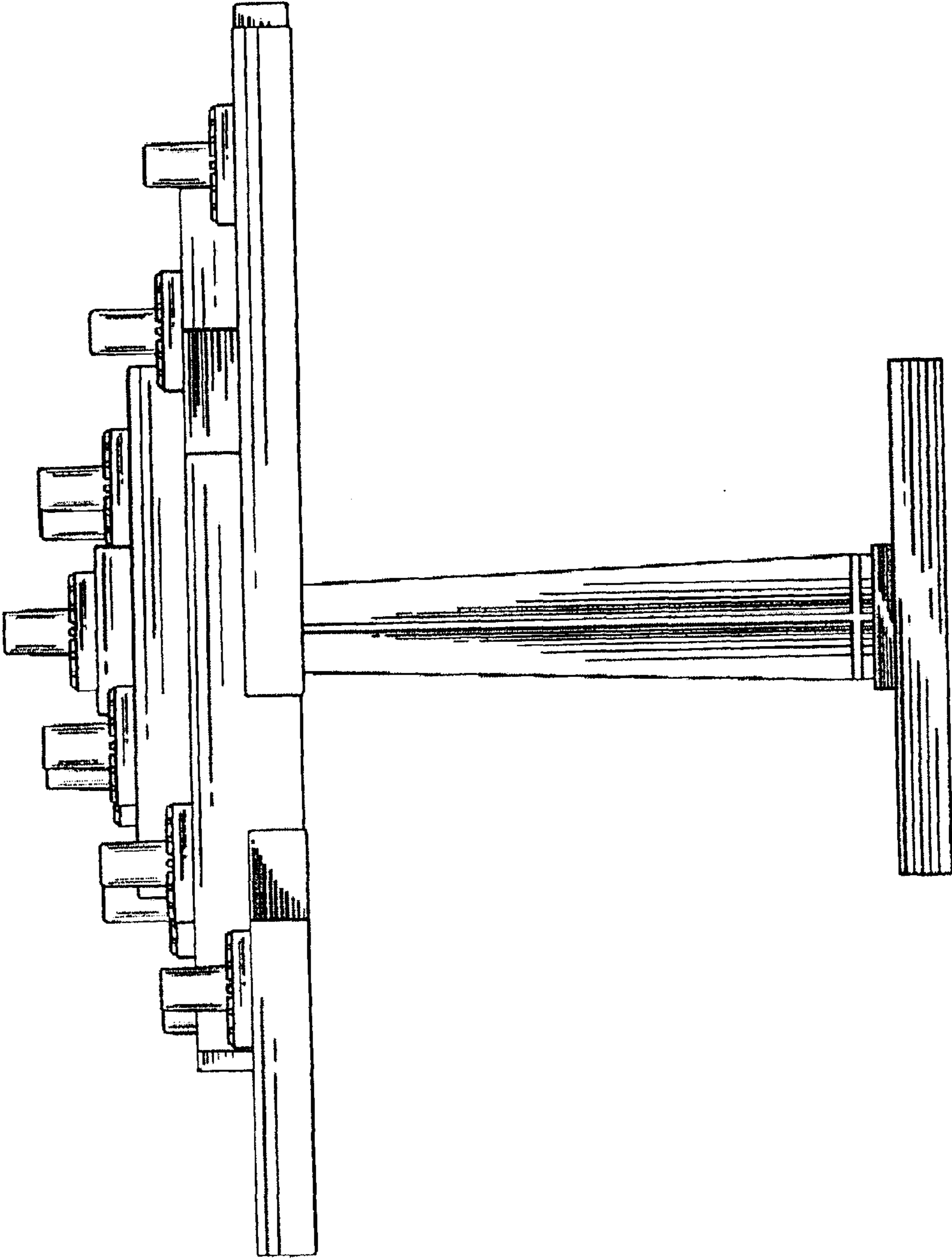


FIG 2.



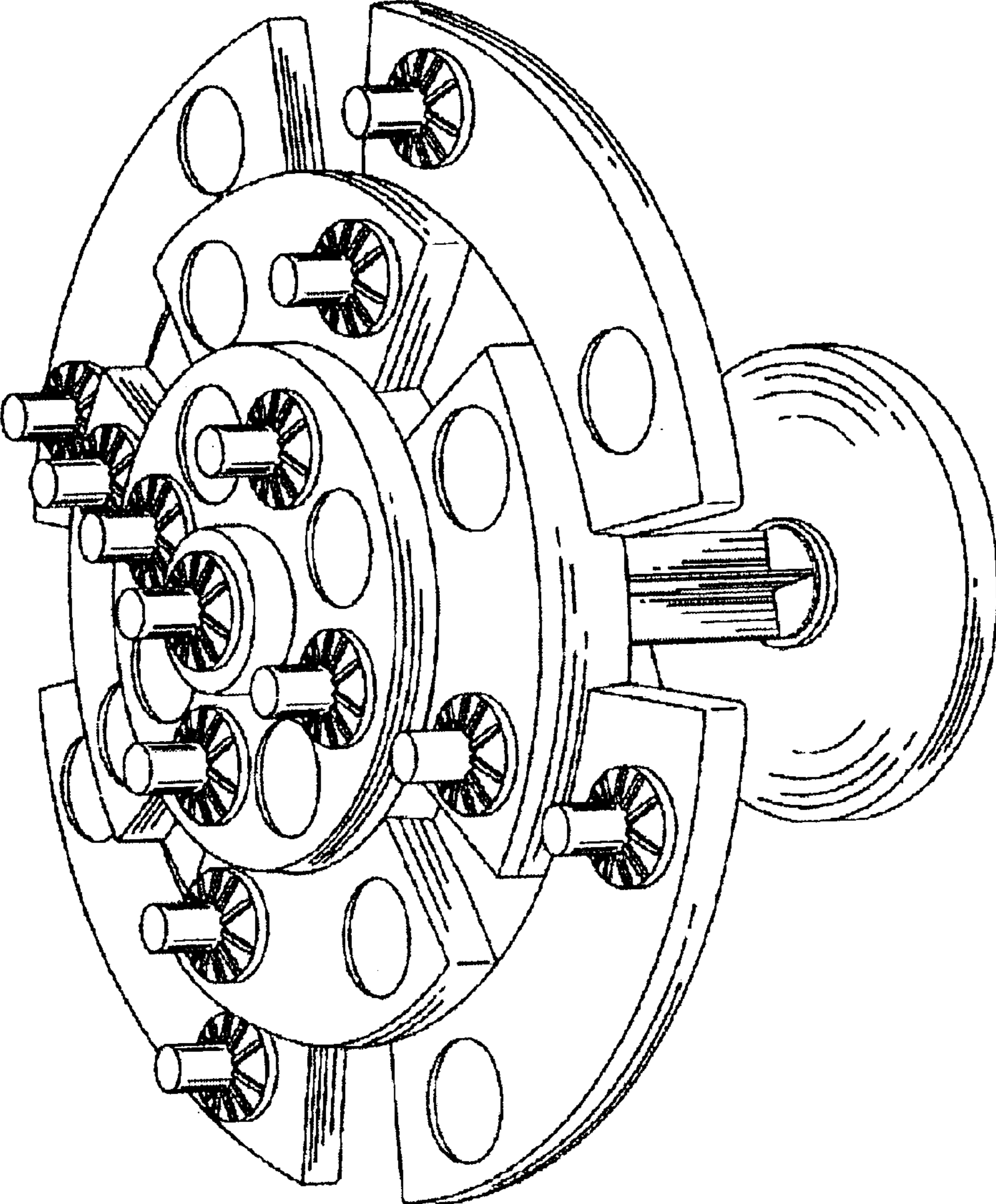


FIG 3.