

US00D492722S1

(12) **United States Design Patent**  
**Oka**

(10) **Patent No.:** **US D492,722 S**  
(45) **Date of Patent:** **\*\* Jul. 6, 2004**

(54) **MARKING PEN**

(75) **Inventor:** **Shigeo Oka**, Tokyo (JP)

(73) **Assignee:** **Pentel Kabushi Kaisha**, Tokyo (JP)

(\*\*) **Term:** **14 Years**

(21) **Appl. No.:** **29/191,568**

(22) **Filed:** **Oct. 9, 2003**

(30) **Foreign Application Priority Data**

Apr. 11, 2003 (JP) ..... 2003-010235

(51) **LOC (7) Cl.** ..... **19-06**

(52) **U.S. Cl.** ..... **D19/49; D19/56**

(58) **Field of Search** ..... D19/35, 36, 41-51,  
D19/53-58, 81-85; 401/6, 7, 88, 99-106,  
107-117, 196, 198, 260, 261; 24/10 R,  
11 R, 11 F, 11 CC, 11 CP

(56) **References Cited**

**U.S. PATENT DOCUMENTS**

- 1,125,144 A \* 1/1915 Mabie ..... 24/11 F
- D62,198 S \* 4/1923 Stahl ..... D19/46
- D70,575 S \* 7/1926 Parker ..... D19/46
- D328,918 S \* 8/1992 Buda et al. .... D19/49
- D377,947 S \* 2/1997 Ladner ..... D19/36

- D402,691 S \* 12/1998 Zbras, Jr. .... D19/36
- D403,703 S \* 1/1999 Campbell ..... D19/43
- D476,684 S \* 7/2003 Rommel ..... D19/46

\* cited by examiner

*Primary Examiner*—Martie K. Holtje

(74) *Attorney, Agent, or Firm*—Adams & Wilks

(57) **CLAIM**

The ornamental design for a marking pen, as shown and described.

**DESCRIPTION**

FIG. 1 is a perspective view of a marking pen showing my new design;

FIG. 2 is a left side elevational view thereof;

FIG. 3 is a front elevational view thereof;

FIG. 4 is a right side elevational view thereof;

FIG. 5 is a rear elevational view thereof;

FIG. 6 is a bottom plan view thereof;

FIG. 7 is a top plan view thereof;

FIG. 8 is a second right side elevational view thereof with the writing nib in a projected condition showing a state of use; and,

FIG. 9 is a cross-sectional view taken in the direction of arrows 9—9 in FIG. 3.

**1 Claim, 3 Drawing Sheets**

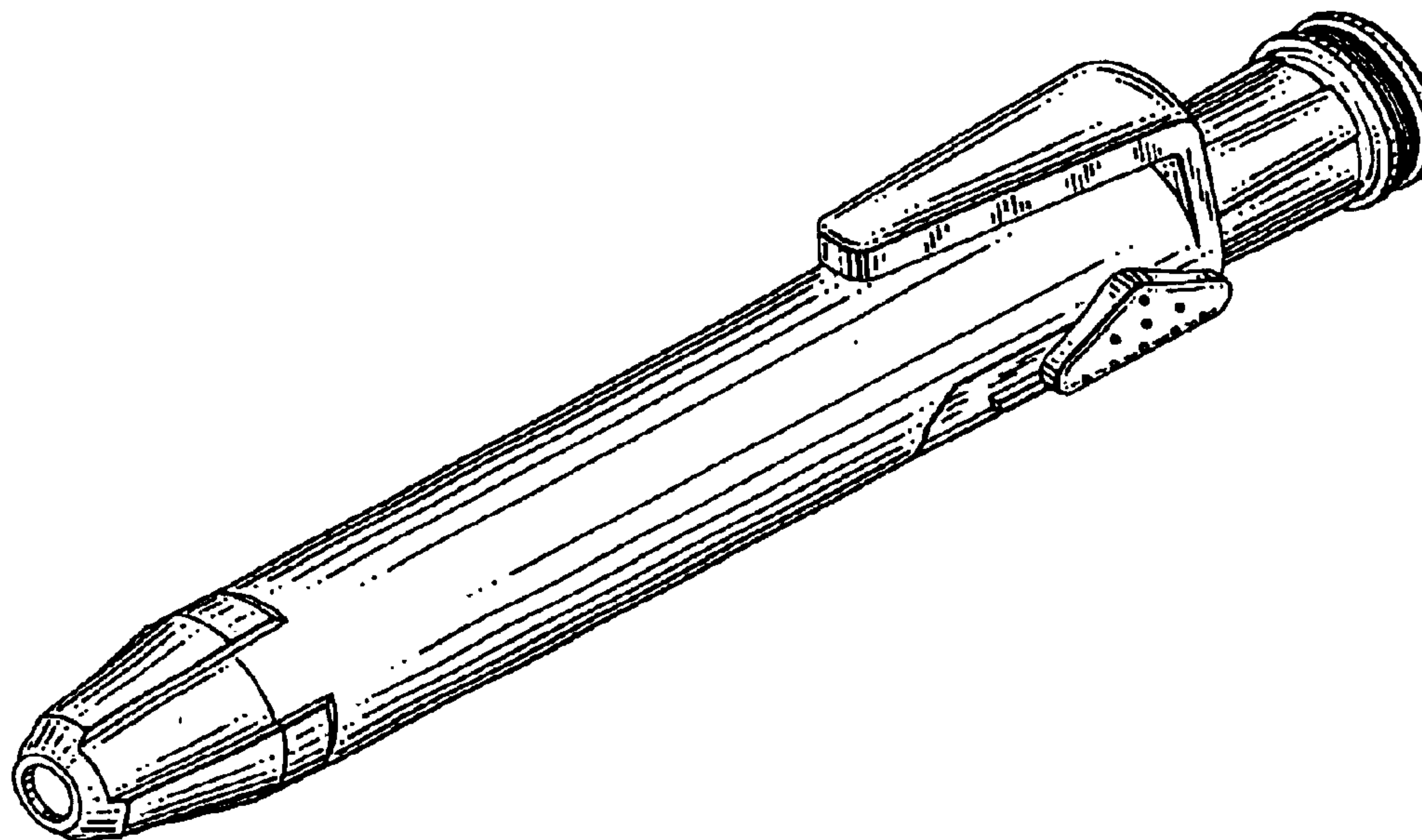


FIG. 1

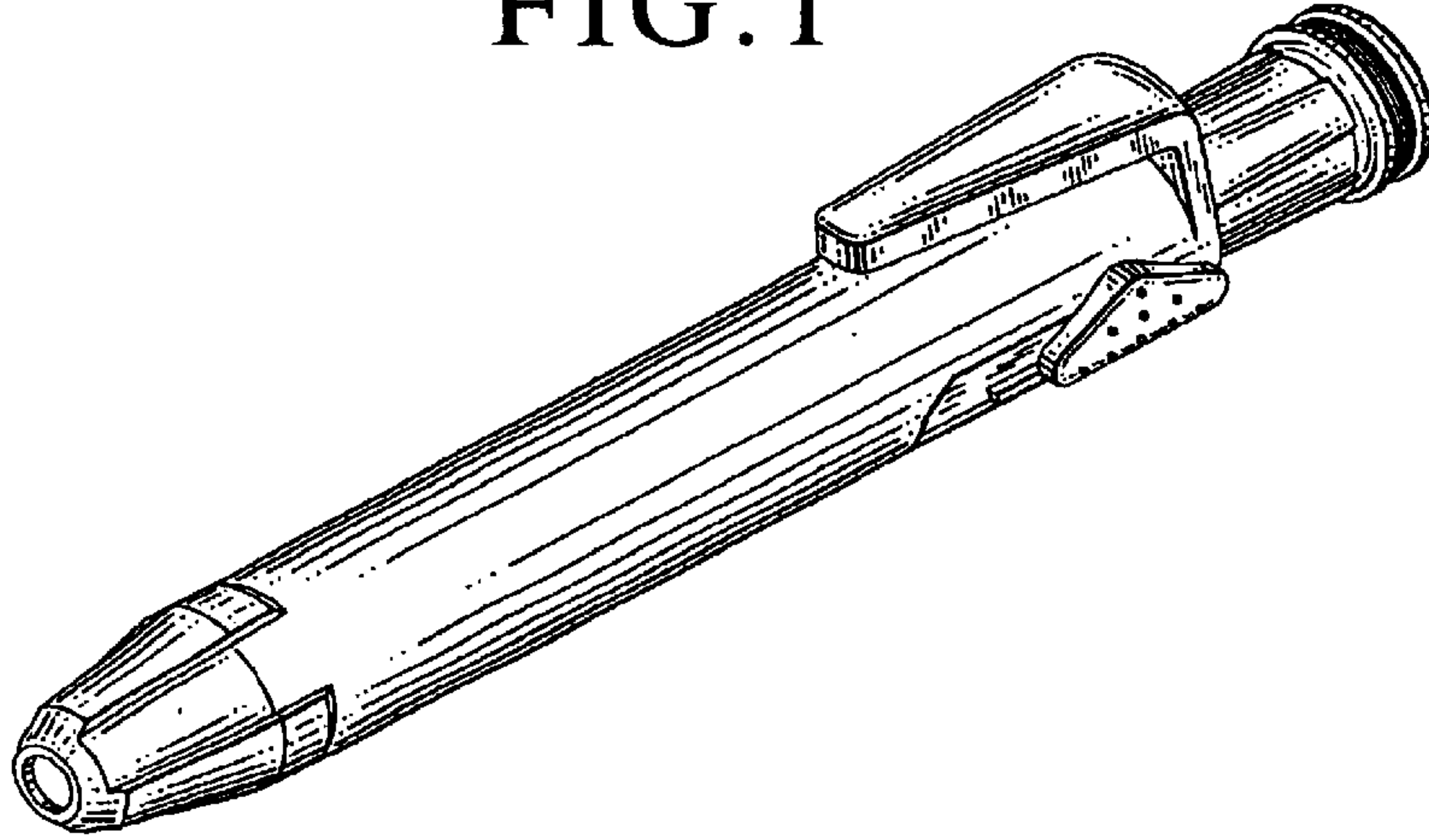


FIG. 2

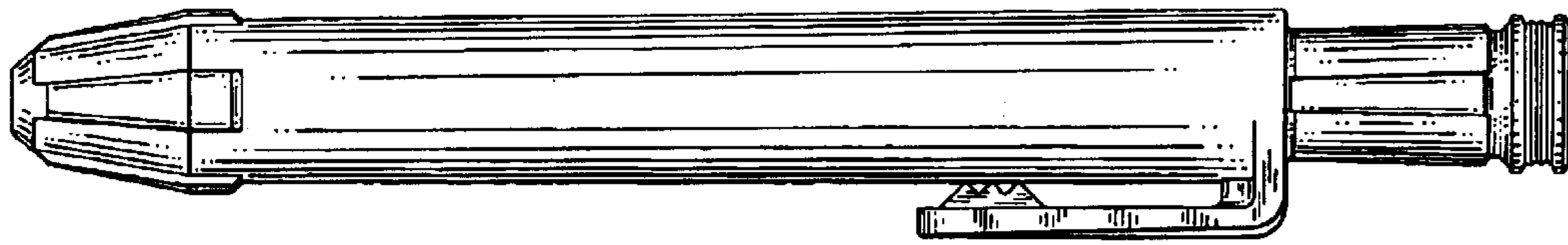


FIG. 3

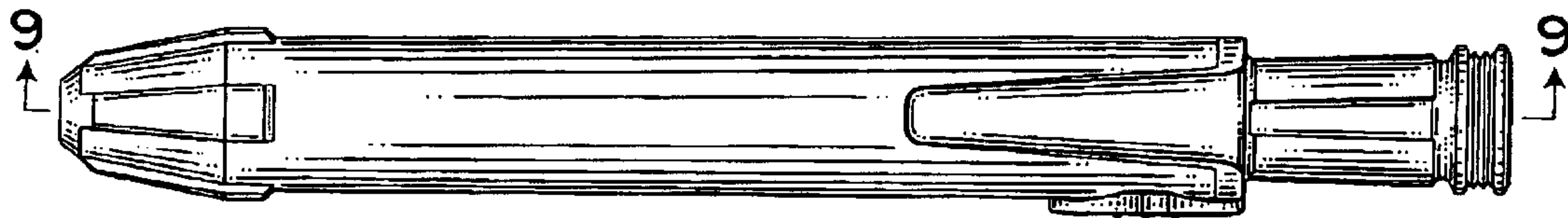


FIG. 4

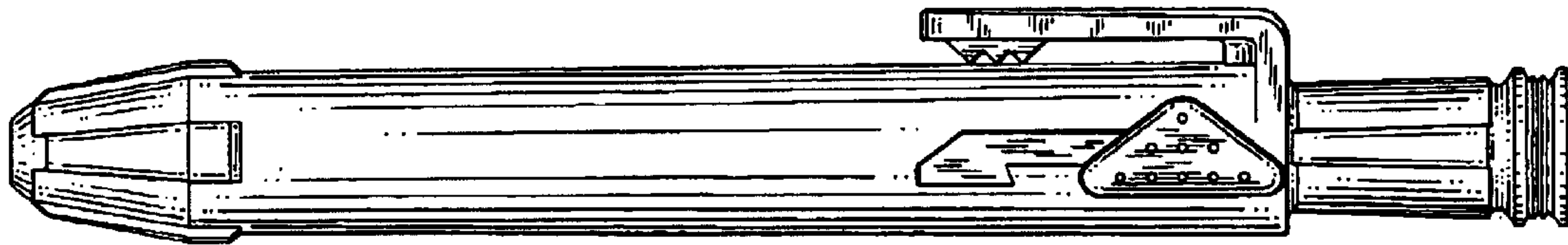


FIG. 5

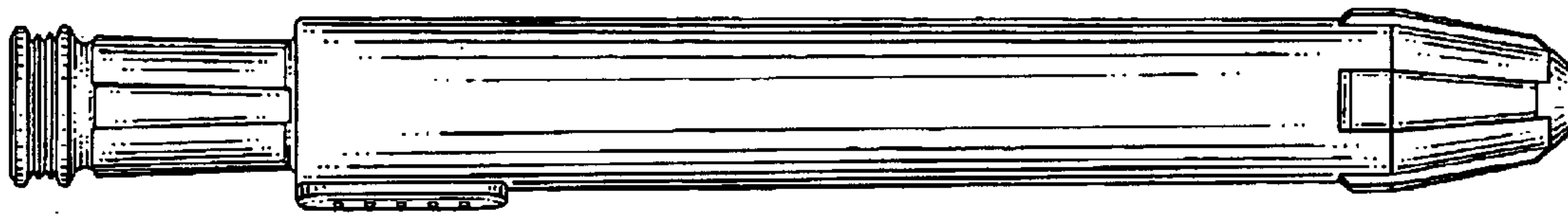


FIG. 6

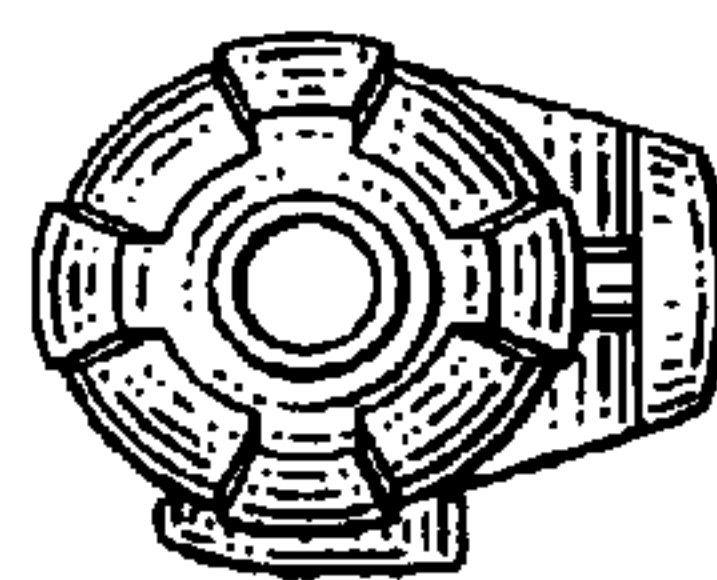


FIG. 7

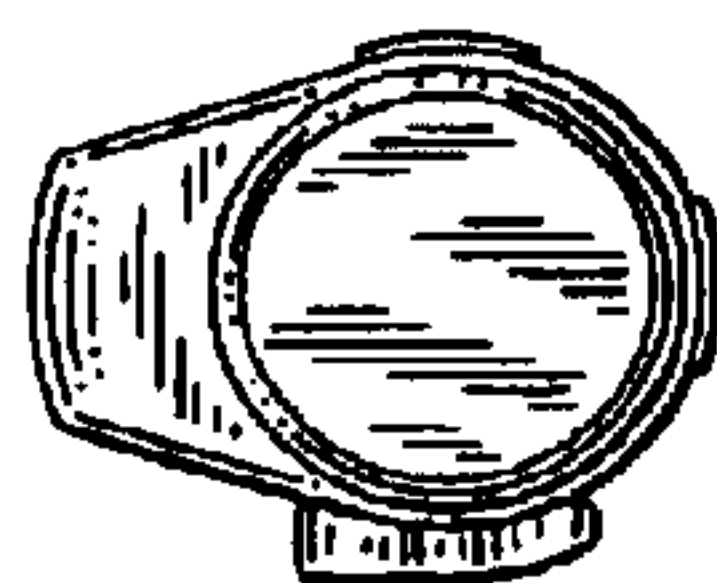


FIG. 8

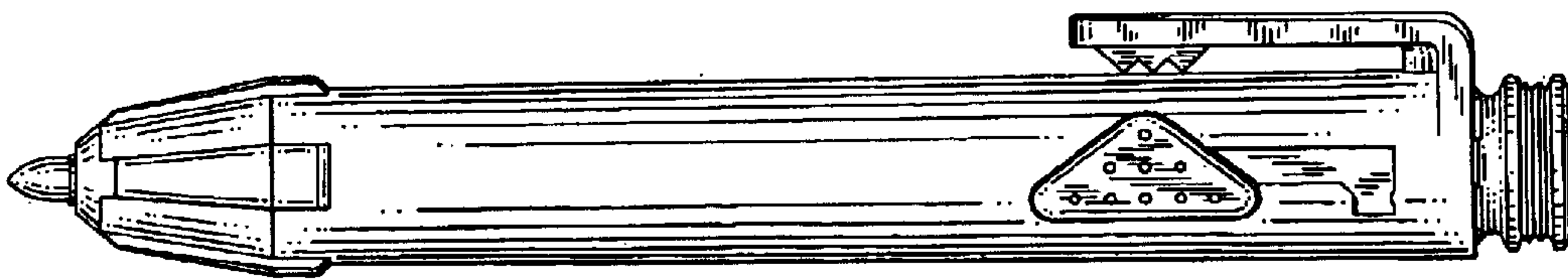


FIG. 9

