

US00D492719S1

(12) **United States Design Patent**
Schmitt et al.

(10) **Patent No.:** **US D492,719 S**
(45) **Date of Patent:** **** Jul. 6, 2004**

(54) **LASER PRINTER**
(75) Inventors: **Marcus Schmitt**, London (GB); **Symon Whitehorn**, San Francisco, CA (US)
(73) Assignee: **Hewlett-Packard Development Company, L.P.**, Houston, TX (US)
(**) Term: **14 Years**

D393,278 S * 4/1998 Lee D18/50
D405,107 S * 2/1999 Yokokawa D18/50
D466,923 S * 12/2002 Dwyer et al. D18/55
D470,164 S * 2/2003 Obata D18/50
D480,418 S * 10/2003 Evers D18/55

* cited by examiner

Primary Examiner—Cathy Anne MacCormac
(74) *Attorney, Agent, or Firm*—Lloyd E. Dakin, Jr.

(21) Appl. No.: **29/174,840**
(22) Filed: **Jan. 24, 2003**

(57) **CLAIM**

The ornamental design for a laser printer, as shown.

(51) **LOC (7) Cl.** **14-02**
(52) **U.S. Cl.** **D18/50**
(58) **Field of Search** D18/50, 53, 54,
D18/55, 36-39; D14/462-470, 420, 421,
422, 425; 400/691-694, 690.1-690.4, 613.1-613.4

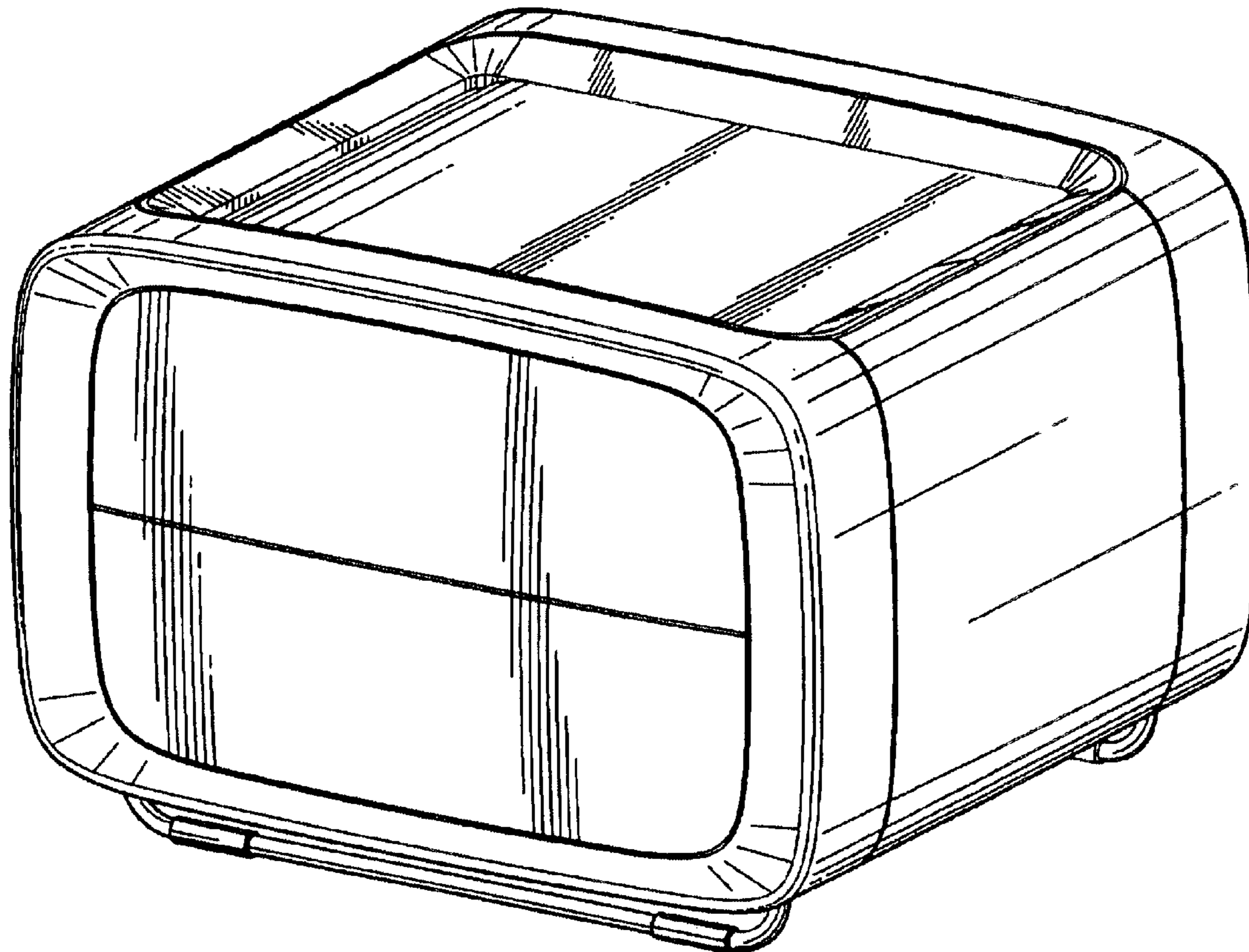
DESCRIPTION

FIG. 1 is a perspective view of a laser printer showing the new design;
FIG. 2 is a front elevational view thereof;
FIG. 3 is a rear elevational view thereof;
FIG. 4 is a left side elevational view thereof;
FIG. 5 is a right side elevational view thereof;
FIG. 6 is a top plan view thereof; and,
FIG. 7 is a bottom plan view thereof.

(56) **References Cited**
U.S. PATENT DOCUMENTS

D210,108 S * 2/1968 Kooch D18/50
D263,142 S * 2/1982 Nishi et al. D18/54

1 Claim, 7 Drawing Sheets



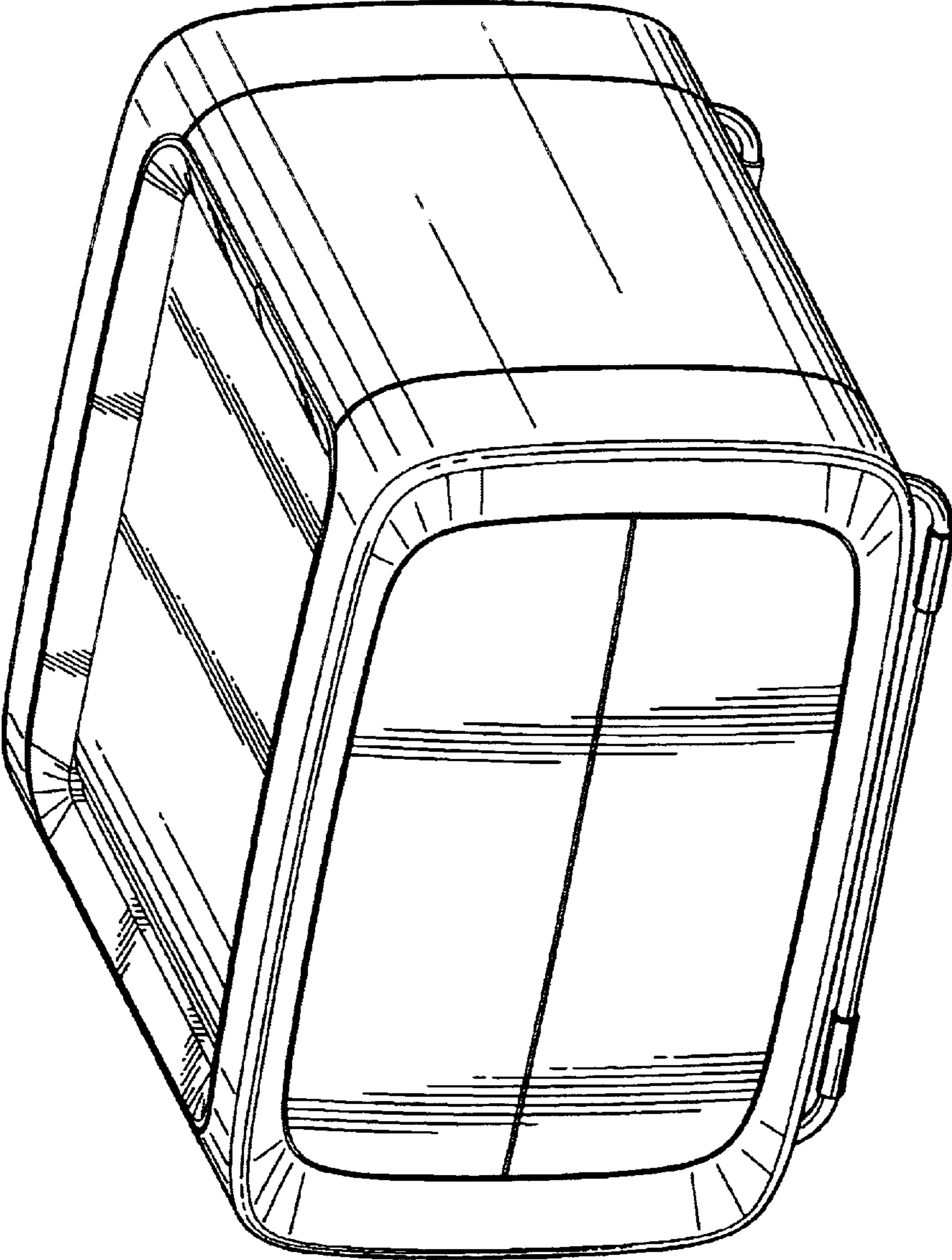


Figure 1

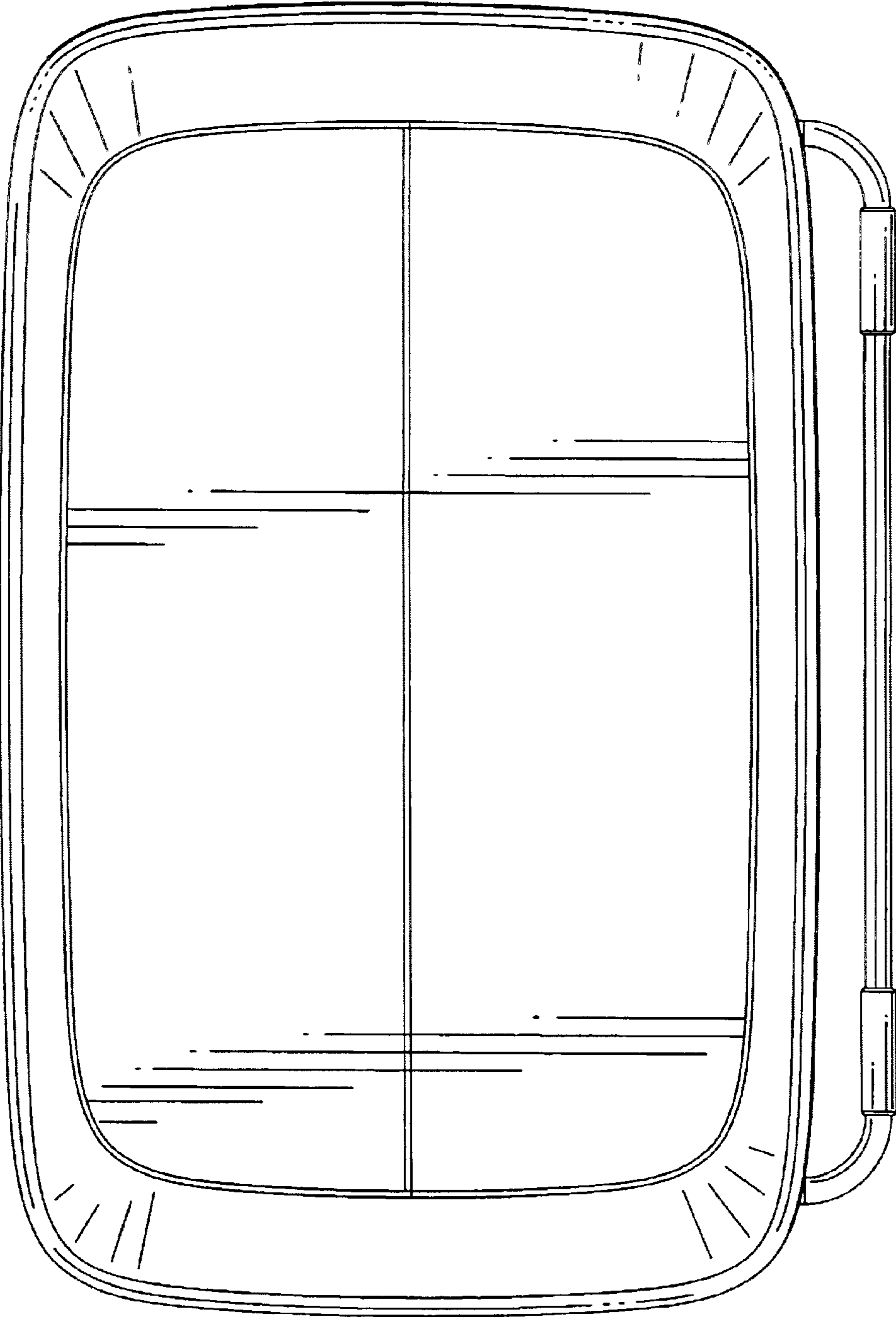


Figure 2

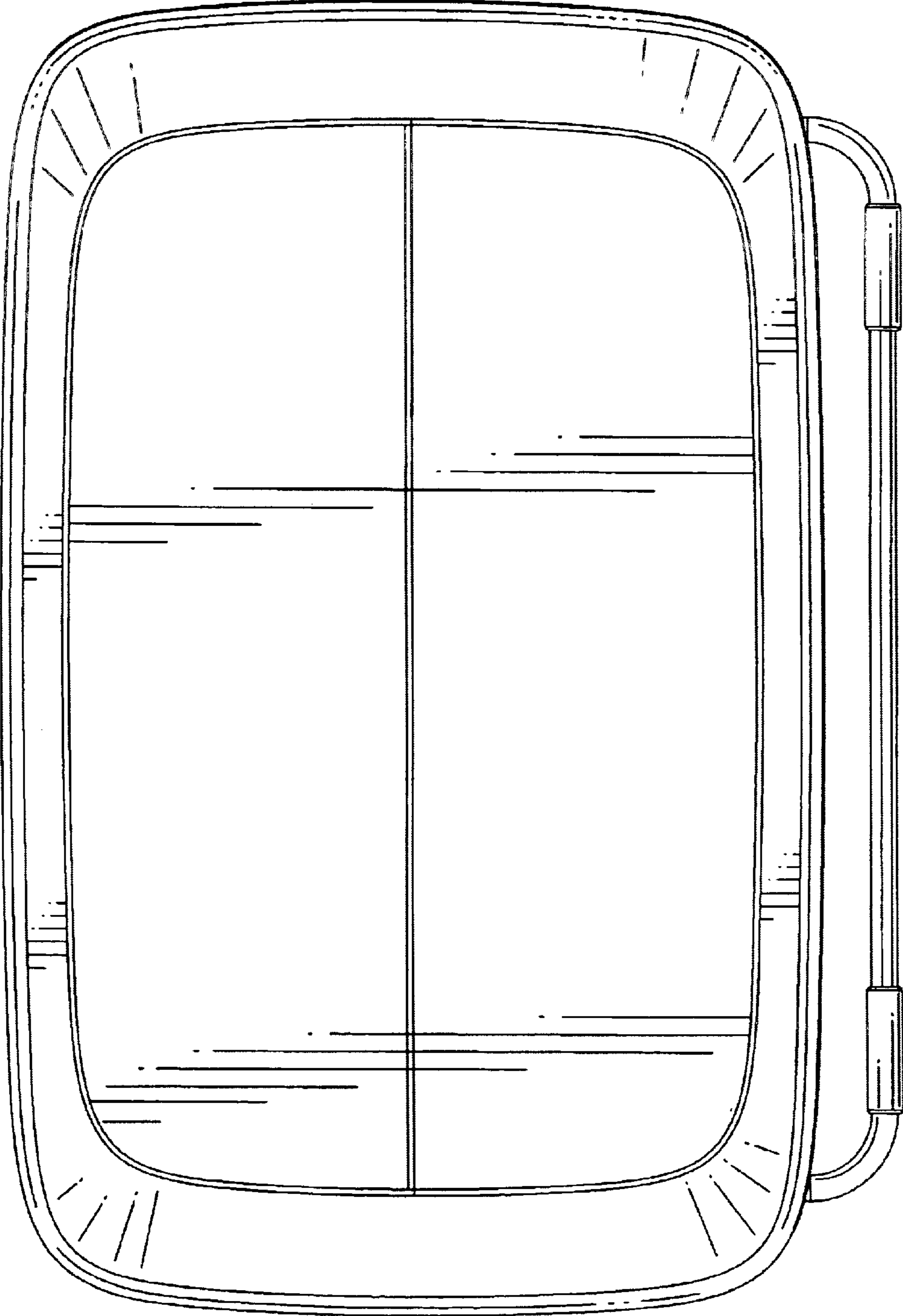


Figure 3

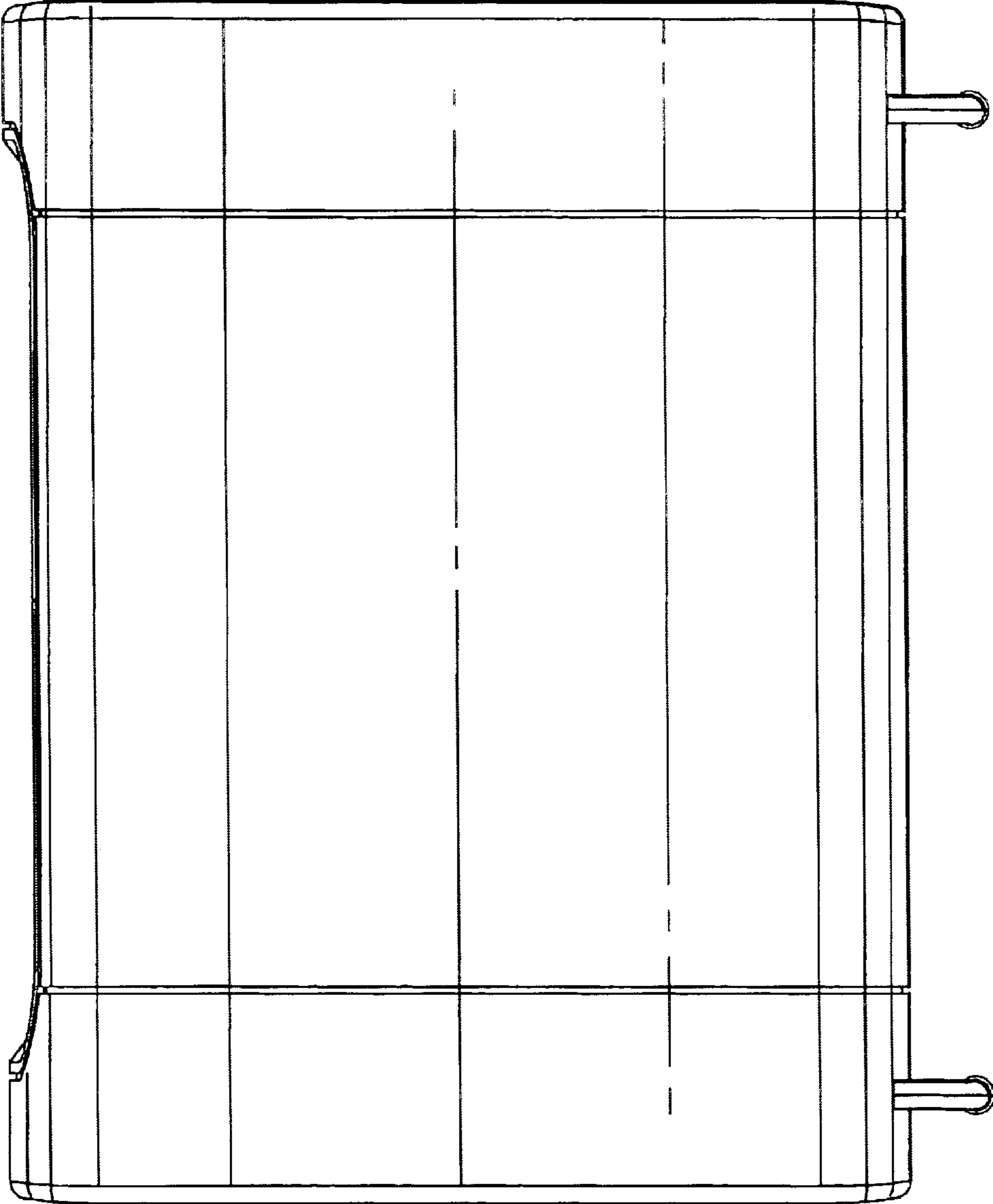


Figure 4

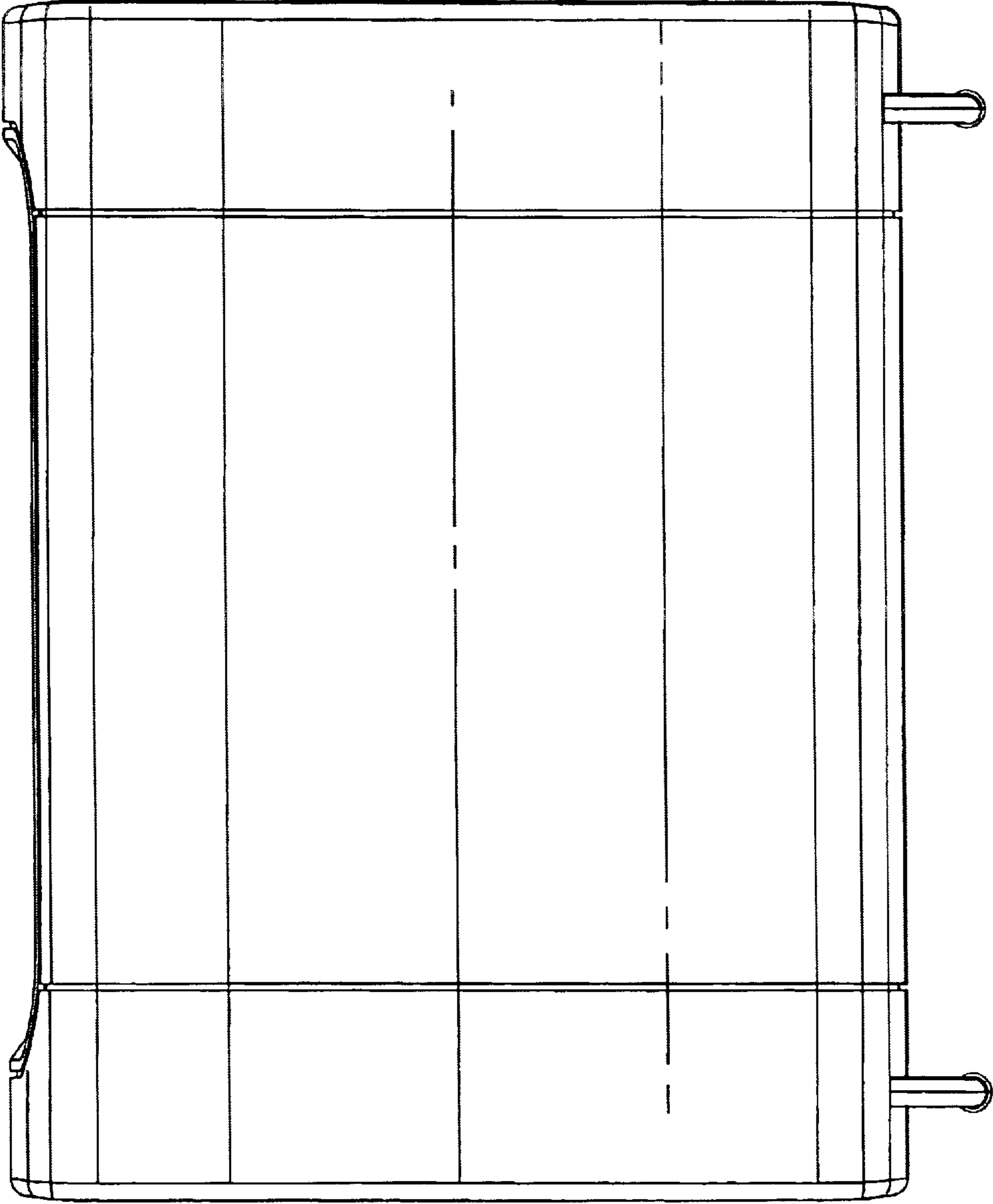


Figure 5

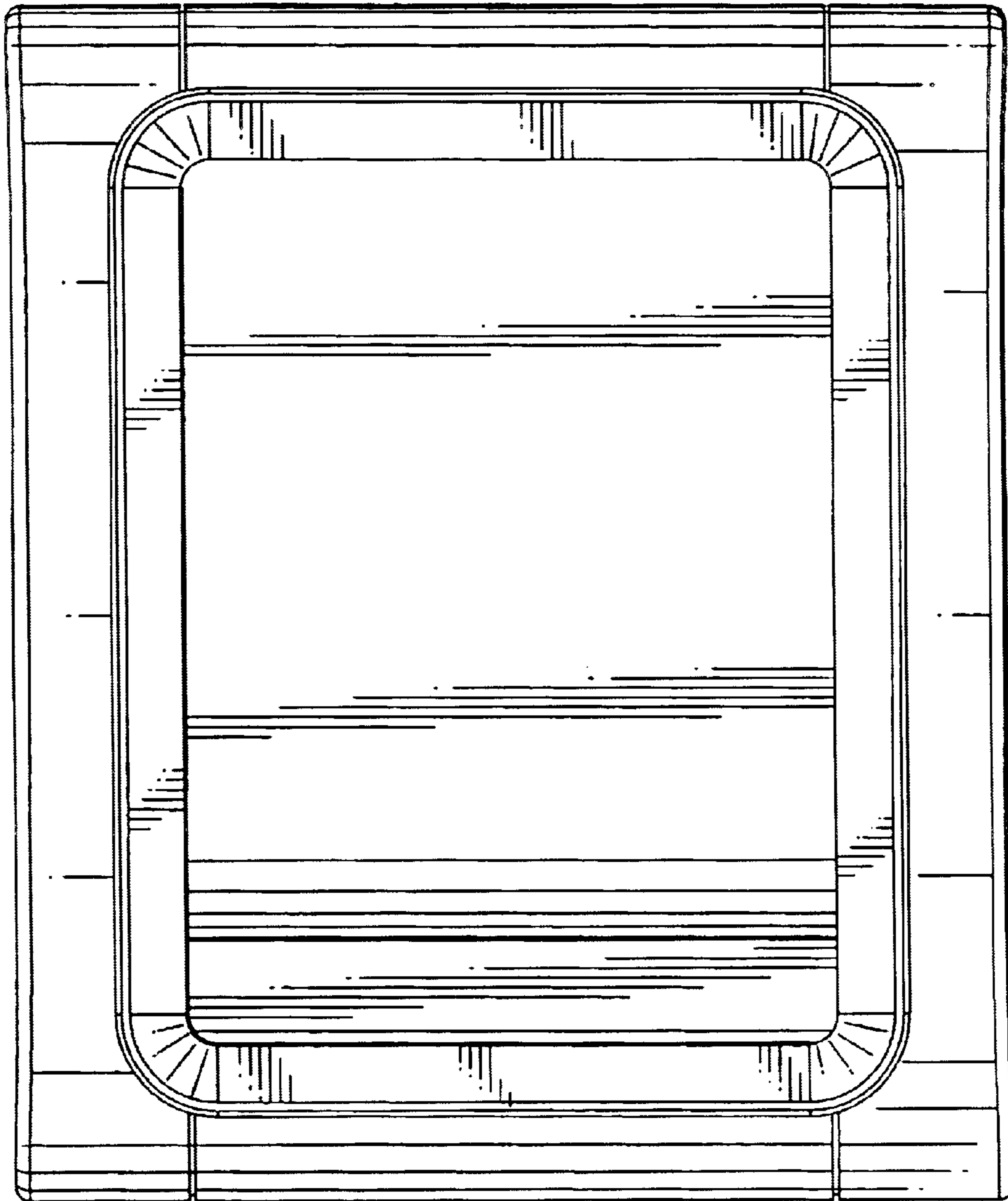


Figure 6

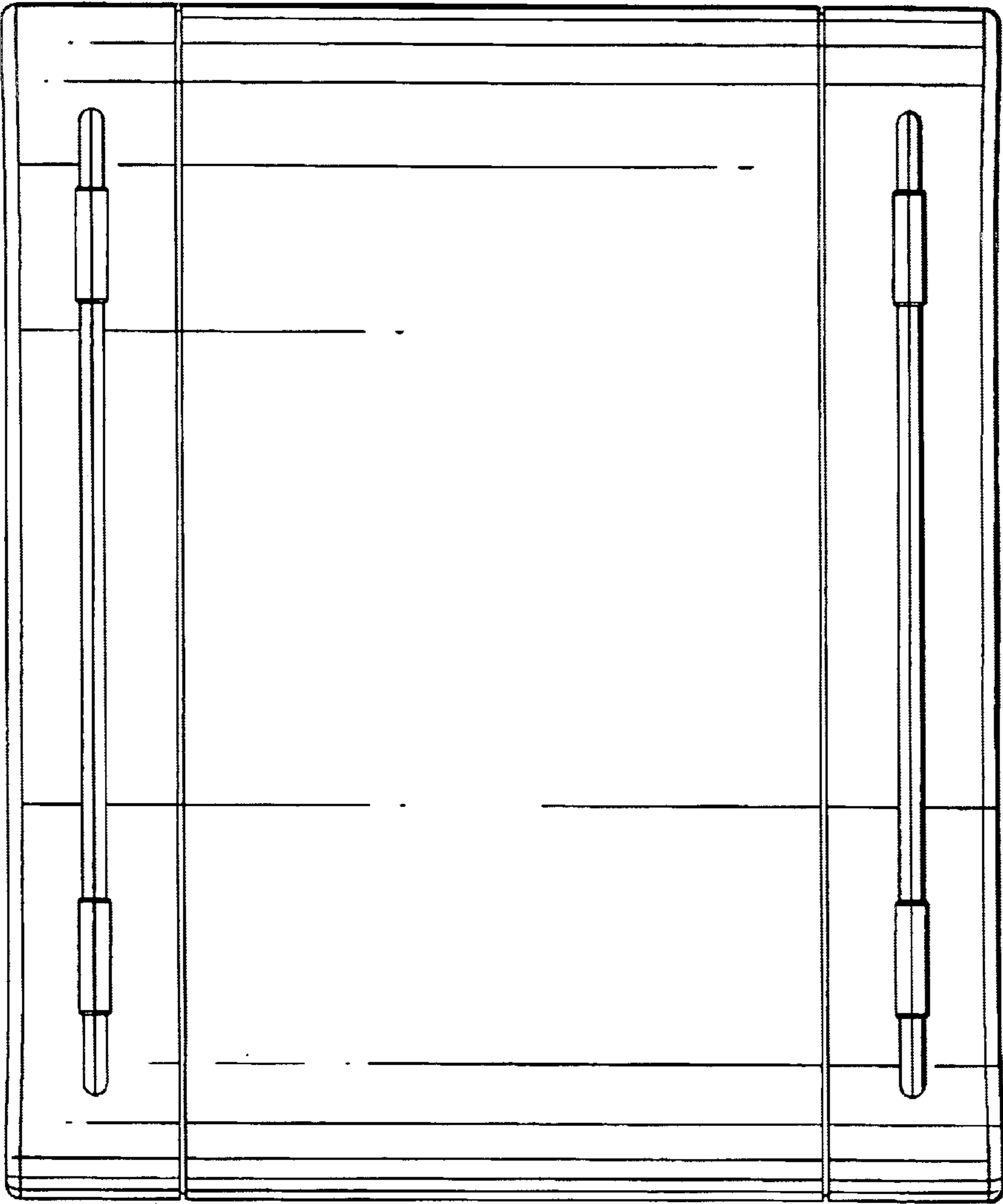


Figure 7