

US00D492714S1

(12) **United States Design Patent**
Morishita et al.

(10) **Patent No.:** **US D492,714 S**
(45) **Date of Patent:** **** Jul. 6, 2004**

(54) **VIDEO PROJECTOR**

6,334,686 B1 * 1/2002 Shiraishi et al. 353/119
6,505,941 B2 * 1/2003 Nakano 353/119

(75) Inventors: **Yoshihito Morishita**, Neyagawa (JP);
Sadayoshi Azuma, Kyoto-fu (JP)

OTHER PUBLICATIONS

Copy of Catalog published by Panasonic in Mar., 2003.

(73) Assignee: **Matsushita Electric Industrial Co., Ltd.**, Osaka (JP)

* cited by examiner

(**) Term: **14 Years**

Primary Examiner—Adir Aronovich

(21) Appl. No.: **29/187,559**

(74) *Attorney, Agent, or Firm*—Brinks Hofer Gilson & Lione

(22) Filed: **Aug. 1, 2003**

(57) **CLAIM**

(30) **Foreign Application Priority Data**

The ornamental design for a video projector, as shown and described.

Apr. 4, 2003 (JP) 2003-009589

DESCRIPTION

(51) **LOC (7) Cl.** **16-02**

FIG. 1 is a top perspective view of a video projector of the present invention;

(52) **U.S. Cl.** **D16/231; D16/225**

FIG. 2 is a first side view thereof;

(58) **Field of Search** D16/205, 208,
D16/213, 221, 225, 230, 231, 234; D21/514;
353/115, 119, 122

FIG. 3 is a second side view thereof;

FIG. 4 is a front view thereof;

FIG. 5 is a rear view thereof;

FIG. 6 is a top view thereof; and,

FIG. 7 is a bottom view thereof.

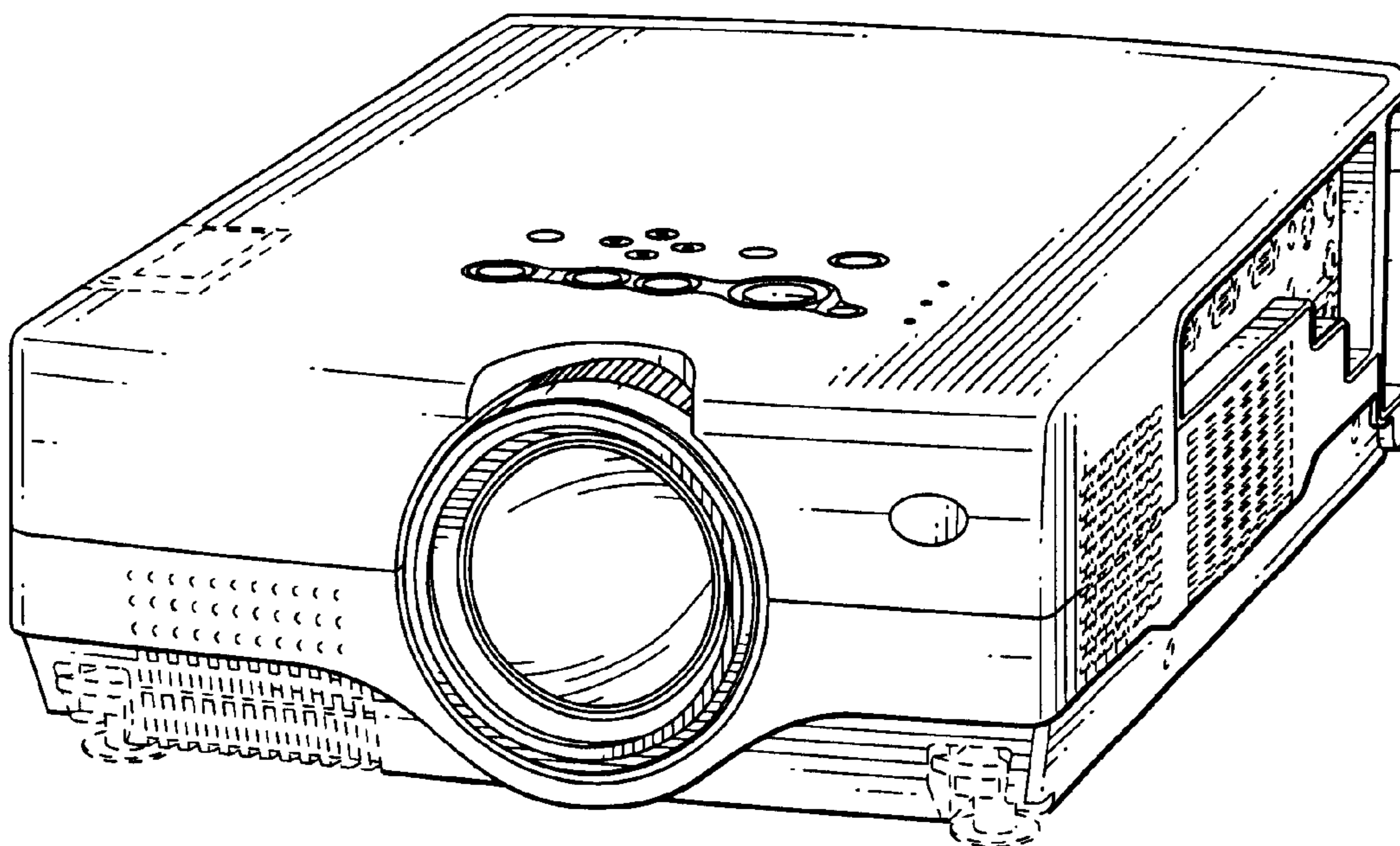
(56) **References Cited**

U.S. PATENT DOCUMENTS

The ornamental design which is claimed is shown in solid lines in the drawings. Any broken lines in the drawings are for illustrative purposes only and form no part of the claimed design.

D422,003 S	*	3/2000	Takizawa	D16/231
D422,292 S	*	4/2000	Takizawa	D16/231
D425,539 S	*	5/2000	Fujii et al.	D16/231
D439,594 S	*	3/2001	Komatsu et al.	D16/231
D439,923 S	*	4/2001	Kawamoto	D16/231
D451,941 S	*	12/2001	Takizawa	D16/230

1 Claim, 5 Drawing Sheets



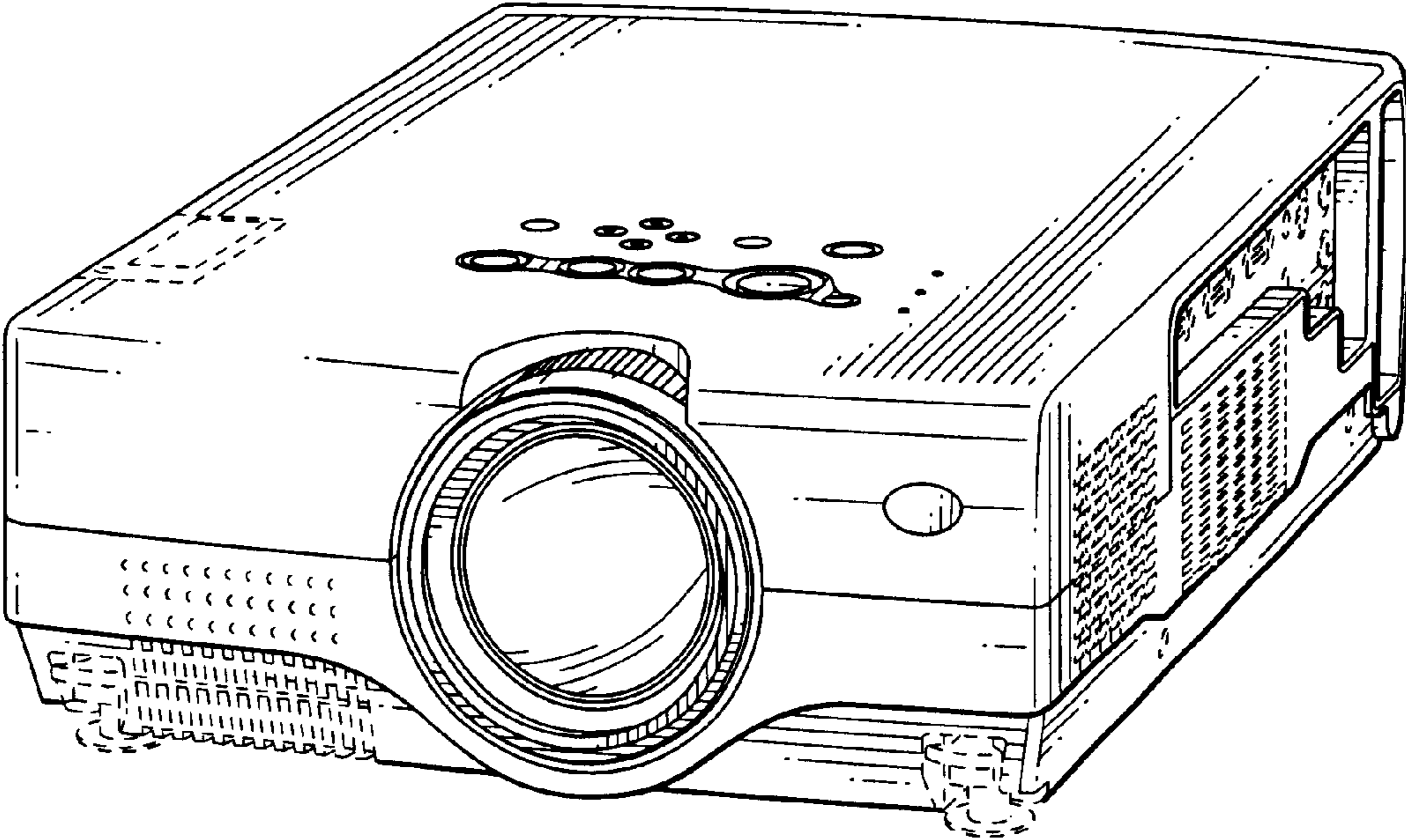


FIG. 1

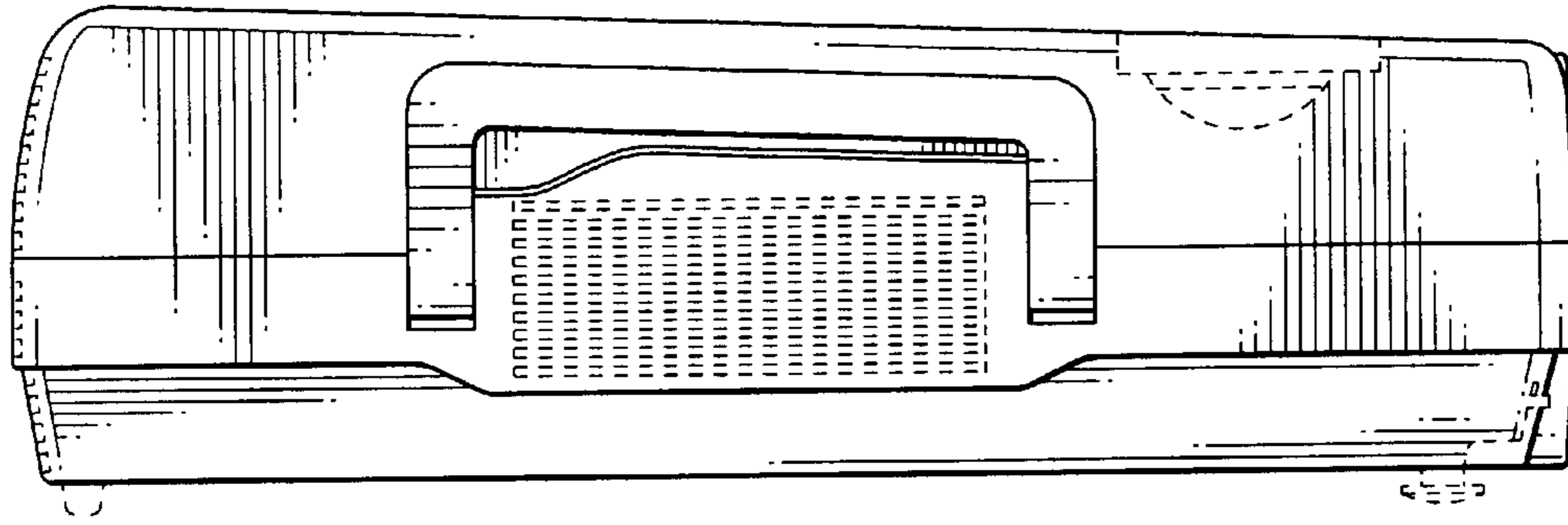


FIG. 2

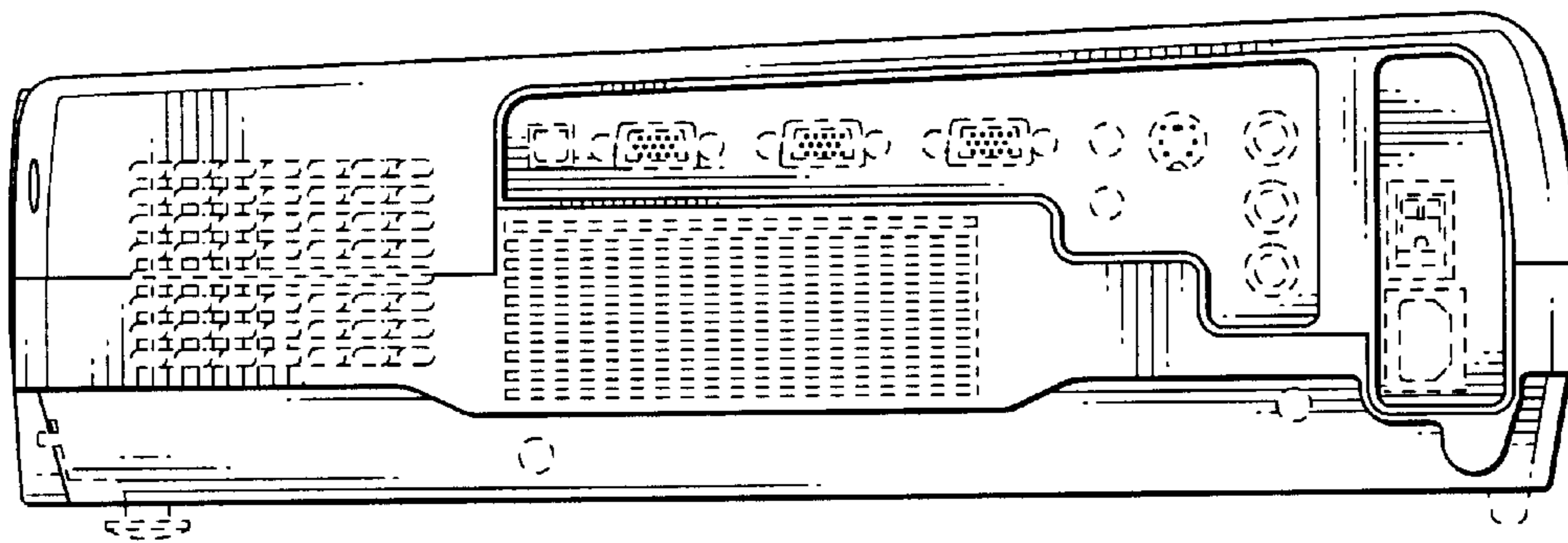


FIG. 3

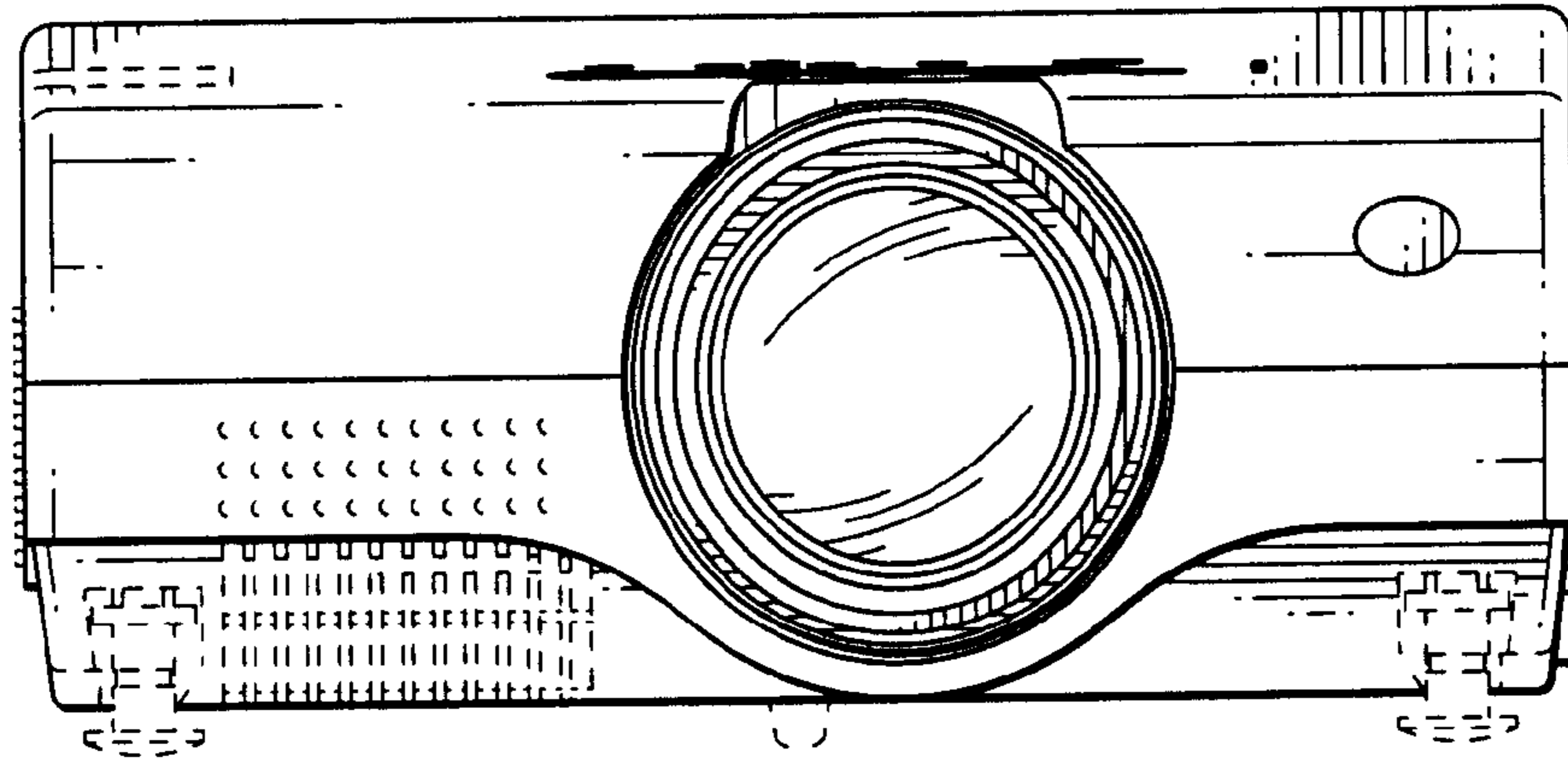


FIG. 4

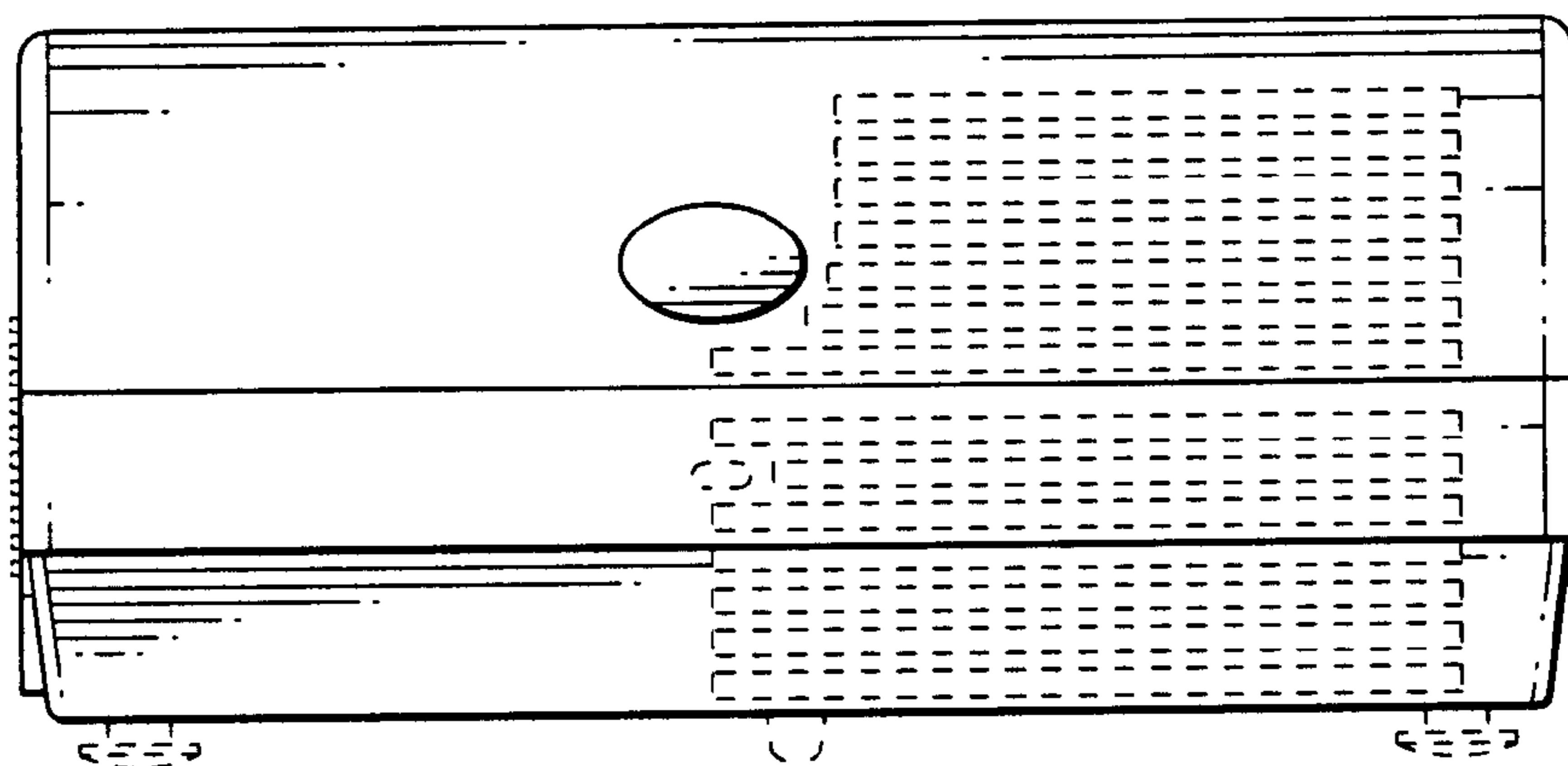


FIG. 5

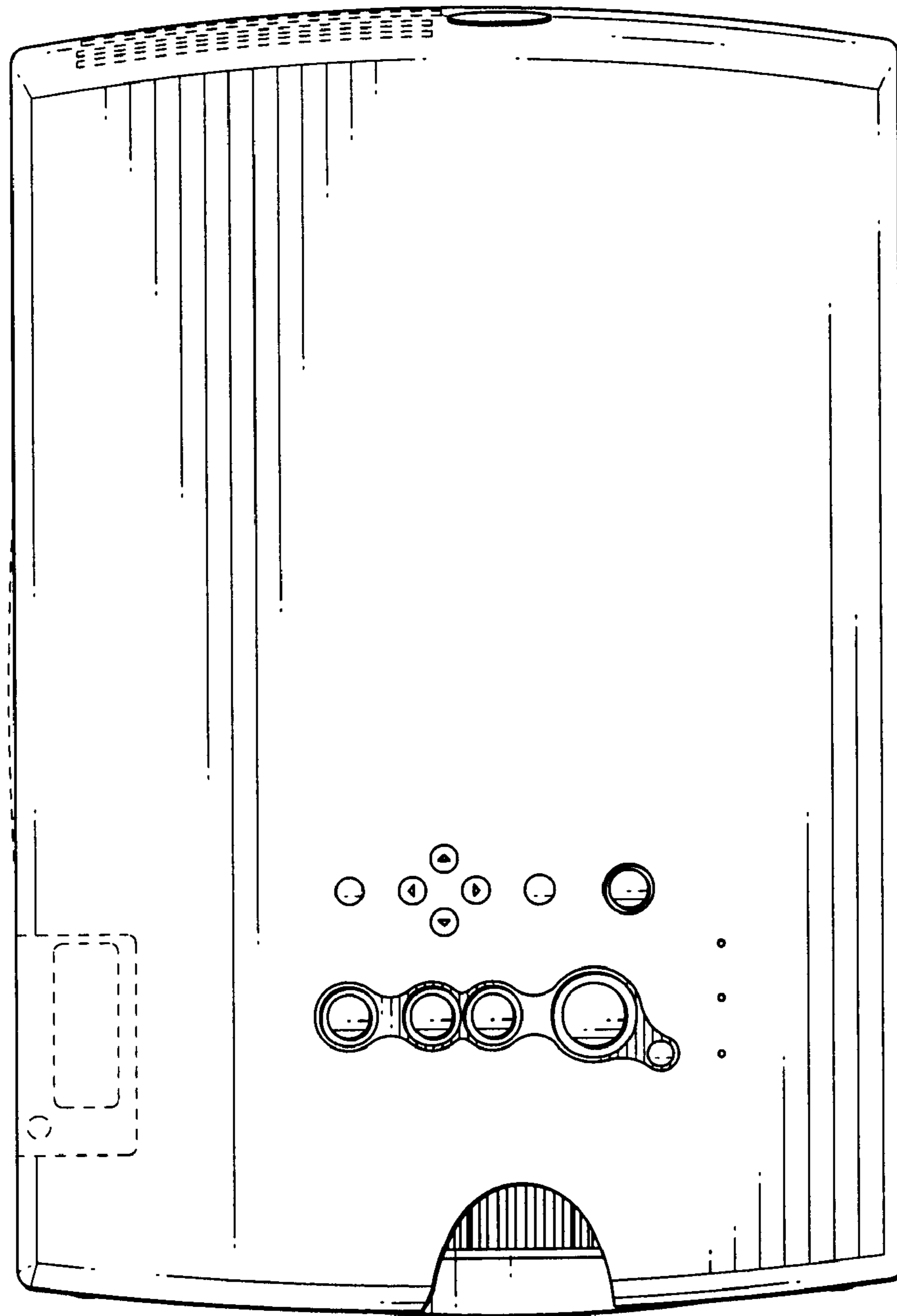


FIG. 6

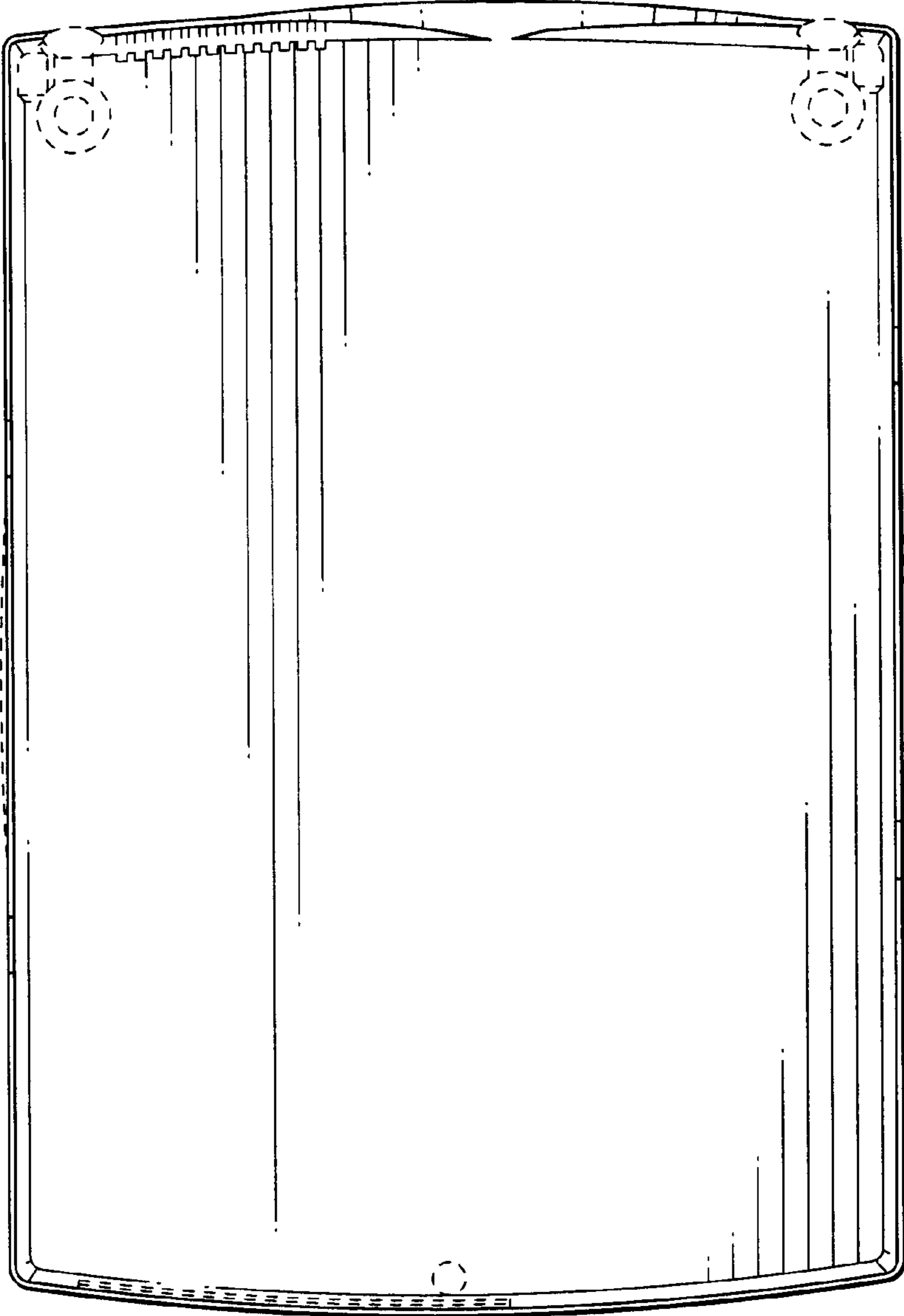


FIG. 7