

US00D492713S1

(12) **United States Design Patent**  
**Yip et al.**

(10) **Patent No.: US D492,713 S**  
(45) **Date of Patent: \*\* Jul. 6, 2004**

(54) **MAGNIFIER**

(75) Inventors: **Gin Fai Yip**, North Point (HK); **Bryan Yip**, Kowloon (HK)

(73) Assignee: **Leading Extreme Optimist Industries Ltd.**, Chai Wan (HK)

(\*\*) Term: **14 Years**

(21) Appl. No.: **29/194,794**

(22) Filed: **Dec. 2, 2003**

(51) **LOC (7) Cl.** ..... **16-06**

(52) **U.S. Cl.** ..... **D16/135**

(58) **Field of Search** ..... D16/130, 131,  
D16/135; 359/368, 802, 804, 806, 808,  
809, 810, 811, 816

(56) **References Cited**

**U.S. PATENT DOCUMENTS**

D145,638 S \* 9/1946 Rosenberg ..... D16/135  
4,040,724 A \* 8/1977 Klingler ..... 359/804

D260,401 S \* 8/1981 Leopoldi ..... D16/135  
D285,699 S \* 9/1986 Leopoldi ..... D16/135  
D394,667 S \* 5/1998 Romano ..... D16/135  
D403,006 S \* 12/1998 Romano ..... D16/135

\* cited by examiner

*Primary Examiner*—Paula A. Greene

(74) *Attorney, Agent, or Firm*—Carmody & Torrance LLP

(57) **CLAIM**

The ornamental design for a magnifier, as shown and described.

**DESCRIPTION**

FIG. 1 is a perspective view of a magnifier showing our new design;

FIG. 2 is a top plan view thereof;

FIG. 3 is a bottom plan view thereof;

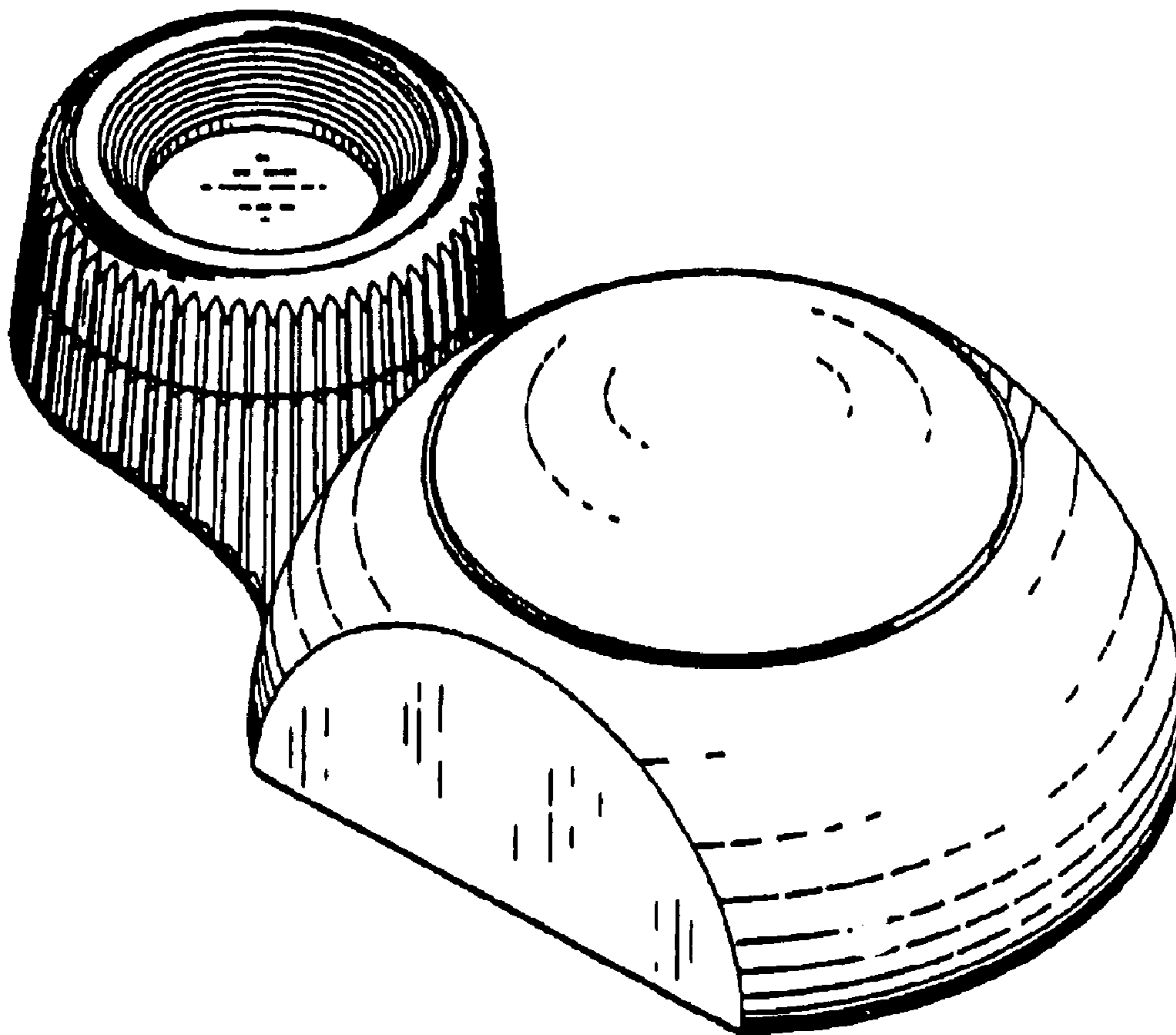
FIG. 4 is a right side elevational view thereof;

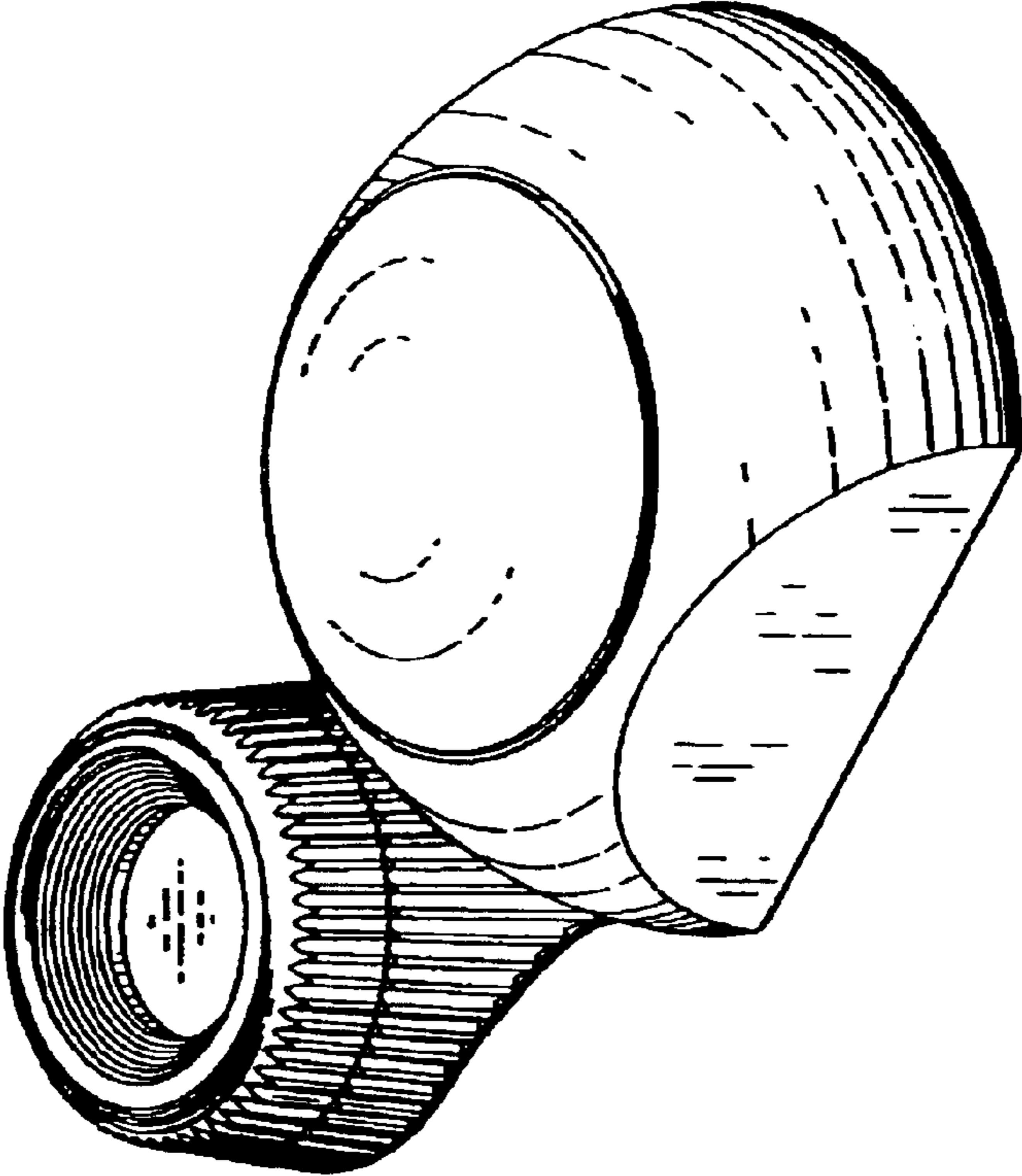
FIG. 5 is a left side elevational view thereof;

FIG. 6 is a first end elevational view thereof; and,

FIG. 7 is a second end elevational view thereof.

**1 Claim, 4 Drawing Sheets**





*FIG. 1*

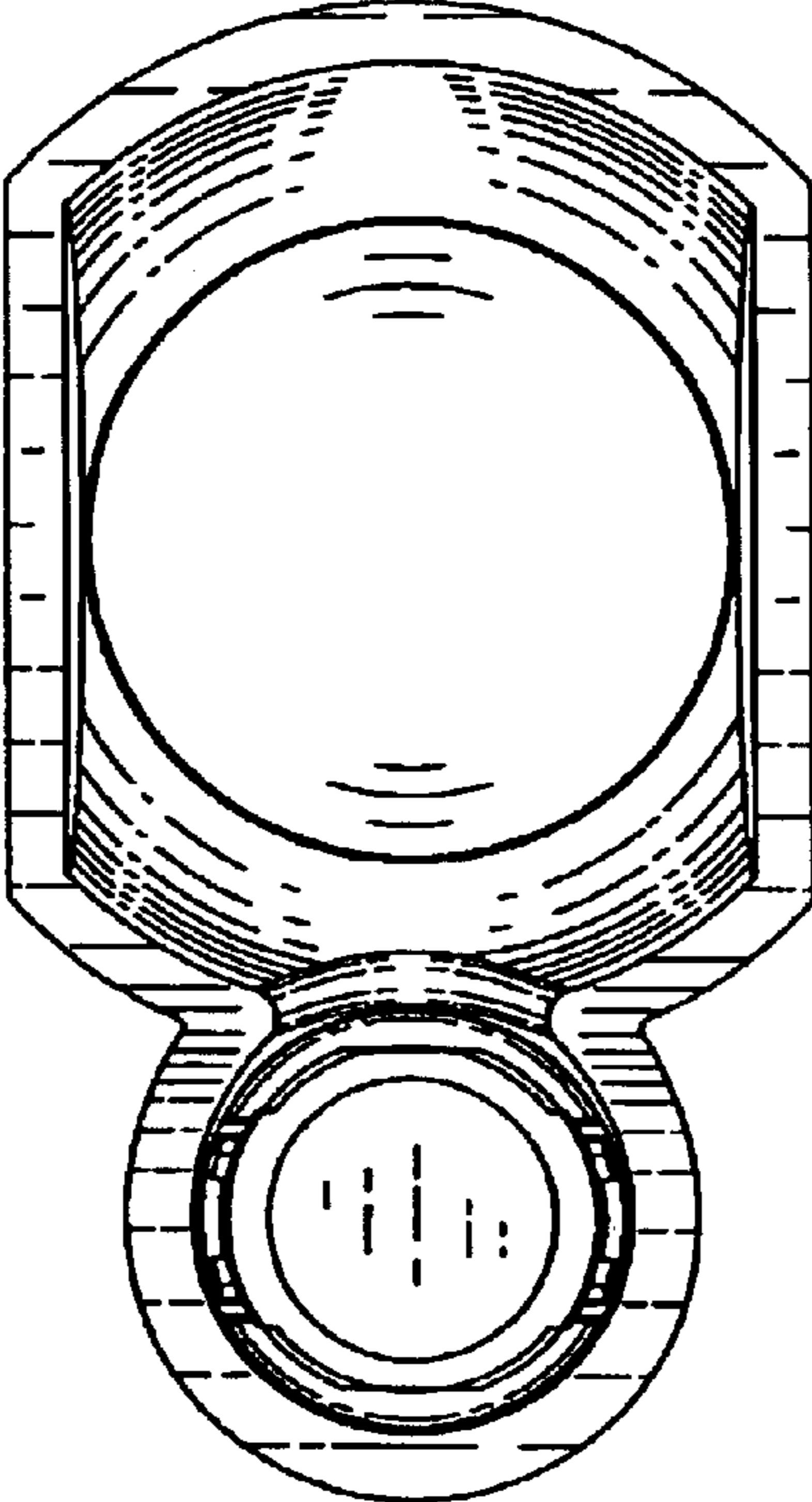


FIG. 3

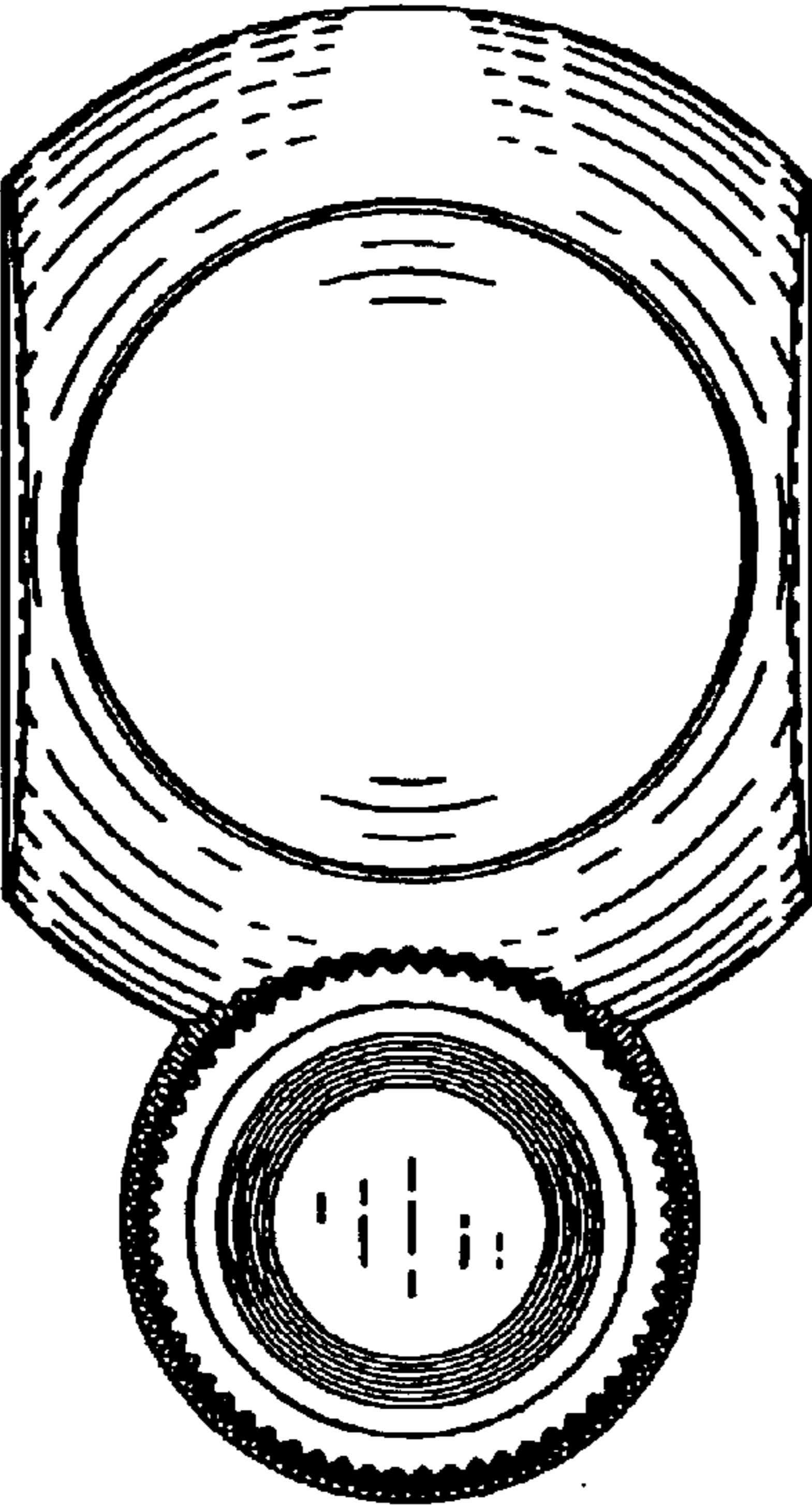


FIG. 2

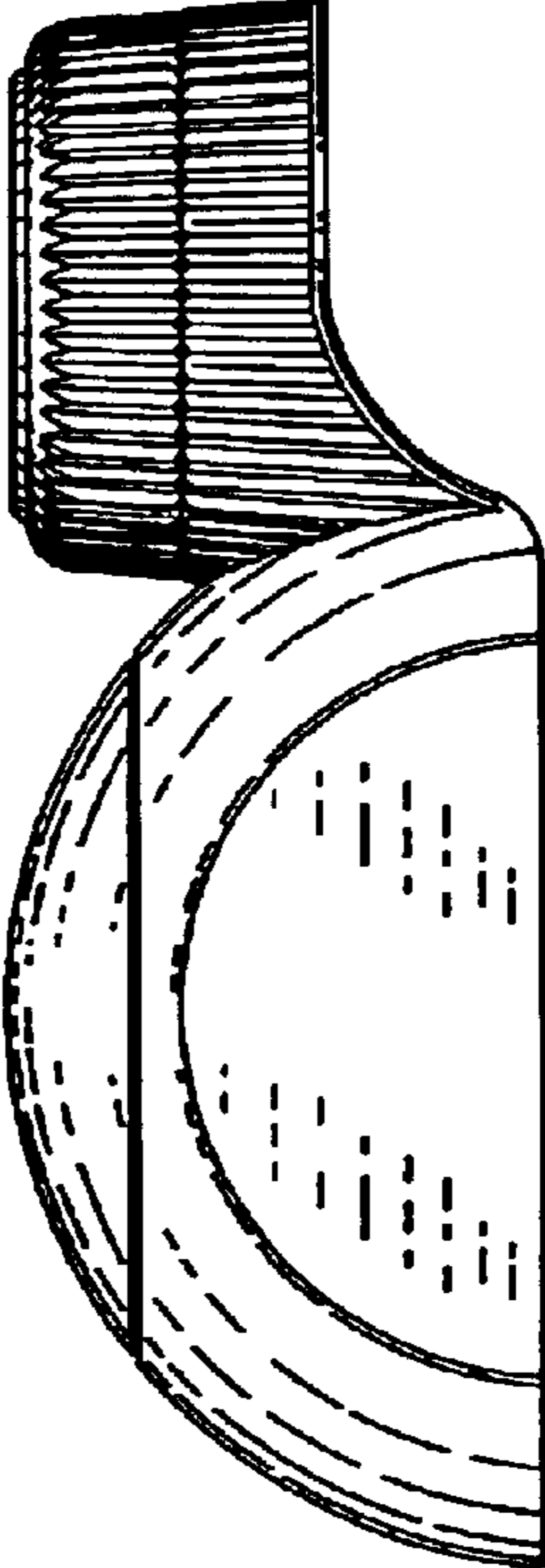


FIG. 4

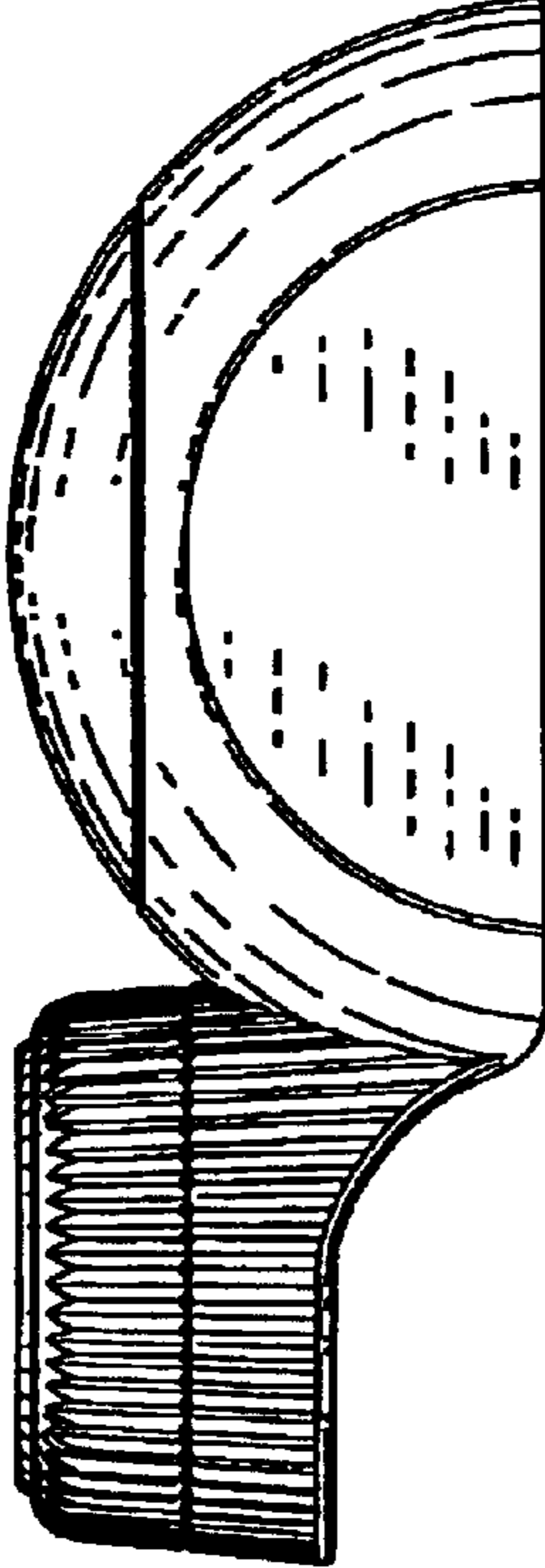


FIG. 5

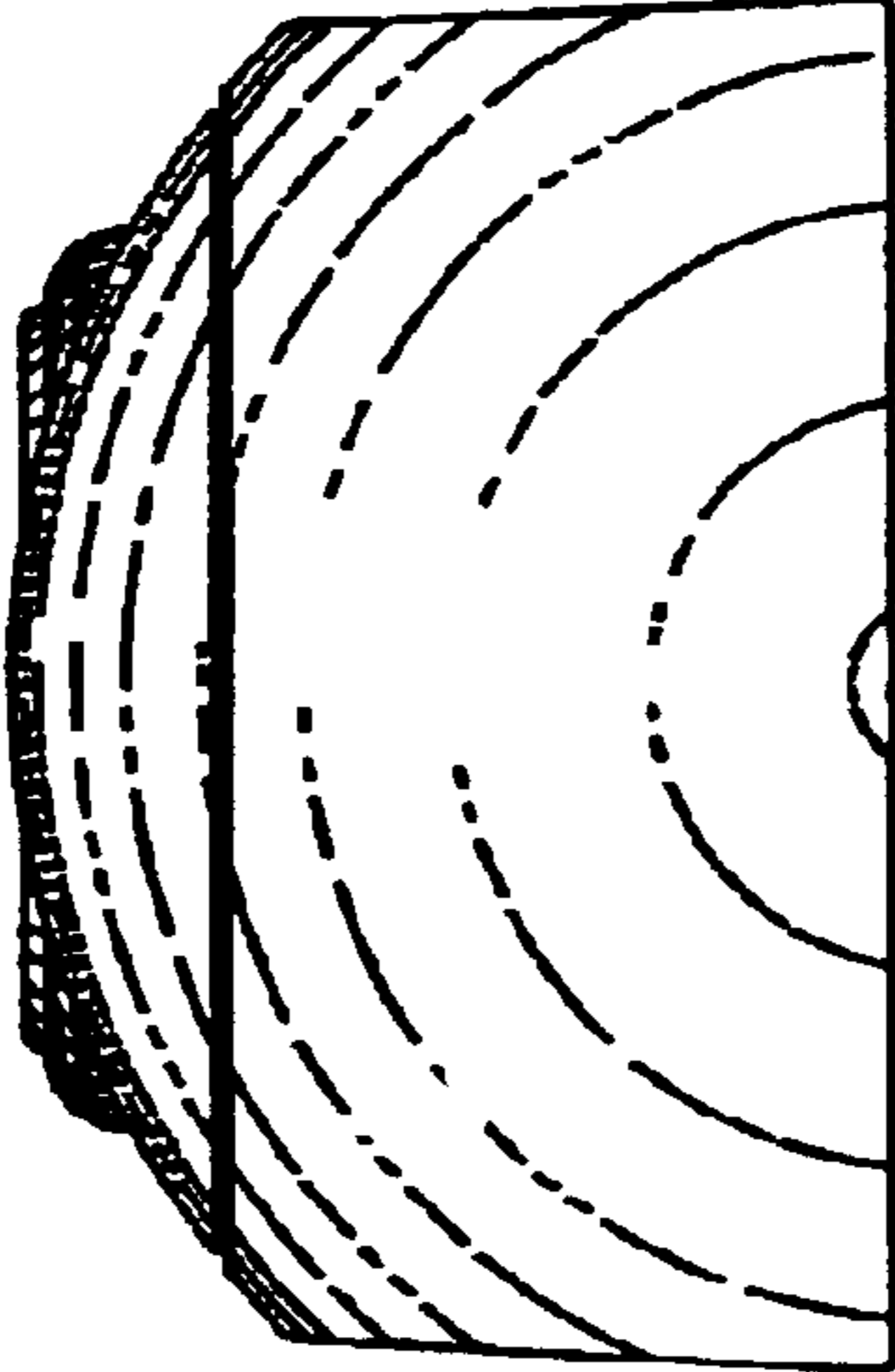


FIG. 6

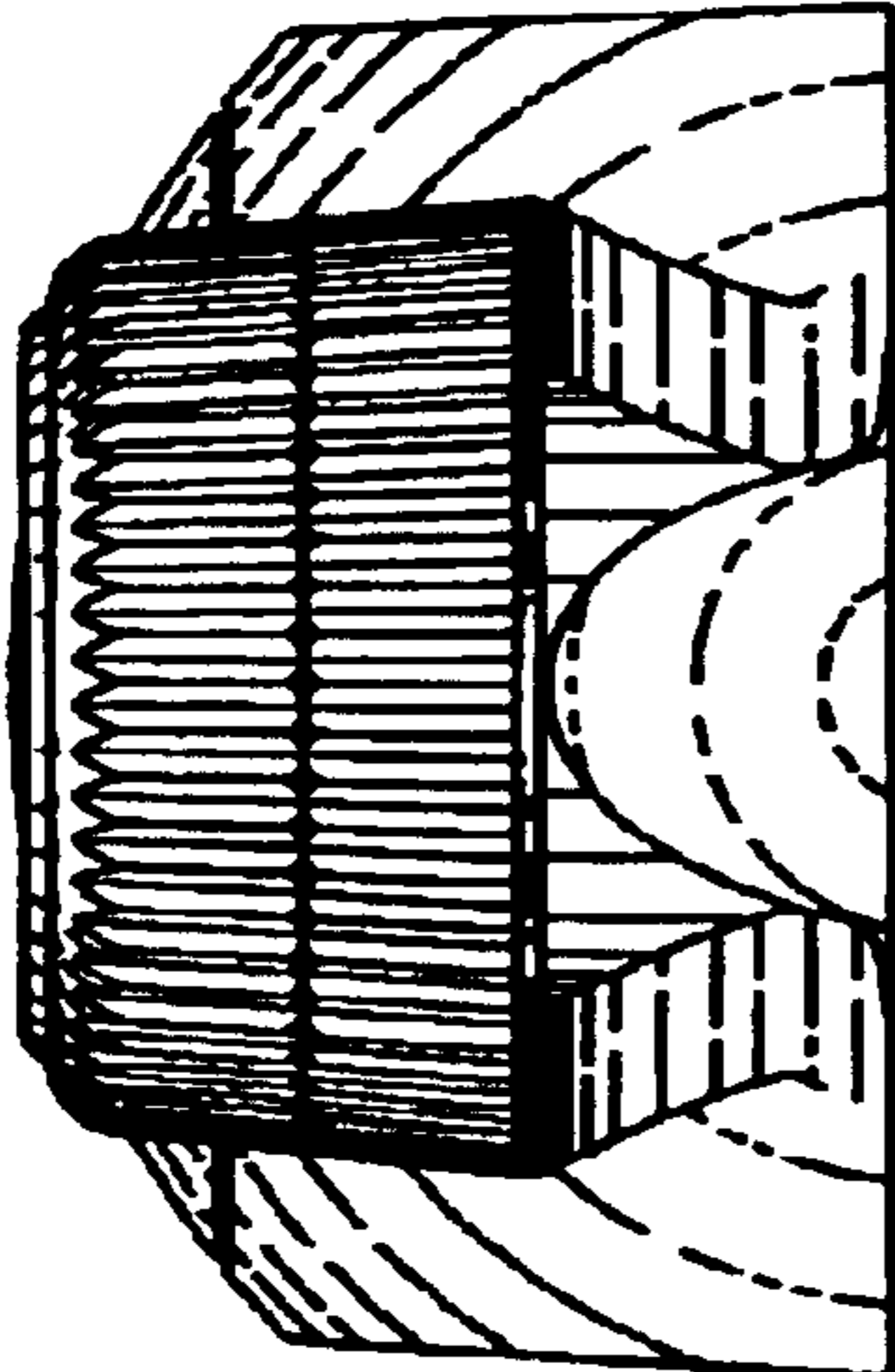


FIG. 7