

US00D492710S1

(12) **United States Design Patent**
Gingerella

(10) **Patent No.:** **US D492,710 S**
(45) **Date of Patent:** **** Jul. 6, 2004**

(54) **GEM MICROSCOPE HINGE ASSEMBLY**

D395,904 S * 7/1998 Omi D16/131

(75) Inventor: **Sherman Gingerella**, Carlsbad, CA (US)

* cited by examiner

Primary Examiner—Paula A. Greene

(73) Assignee: **Gemological Institute of America, Inc.**, Carlsbad, CA (US)

(74) *Attorney, Agent, or Firm*—Gray Cary Ware & Freidenrich

(**) Term: **14 Years**

(57) **CLAIM**

(21) Appl. No.: **29/190,297**

The ornamental design for a gem microscope hinge assembly, as shown and described.

(22) Filed: **Sep. 17, 2003**

DESCRIPTION

(51) **LOC (7) Cl.** **16-06**

FIG. 1 is a right side view of a gem microscope having a gem microscope hinge assembly, shown in an upright position;

(52) **U.S. Cl.** **D16/131**

FIG. 2 is a right side view of the gem microscope hinge assembly;

(58) **Field of Search** D16/130, 131;
359/368, 375, 379, 381–385, 388, 390,
391, 399, 821

FIG. 3 is a top view of the gem microscope hinge assembly;
FIG. 4 is a bottom view of the gem microscope hinge assembly;

(56) **References Cited**

U.S. PATENT DOCUMENTS

1,448,592	A	*	3/1923	Heine	359/379
1,934,874	A	*	11/1933	Neuwirth	359/503
D193,214	S	*	7/1962	Preble, Jr.	D16/131
D253,059	S	*	10/1979	Speaker	D16/131
D273,685	S	*	5/1984	Yamada	D16/131
D294,037	S	*	2/1988	Yamada	D16/131
5,052,788	A	*	10/1991	Tachibana	359/391
5,198,927	A	*	3/1993	Rathbone et al.	359/385

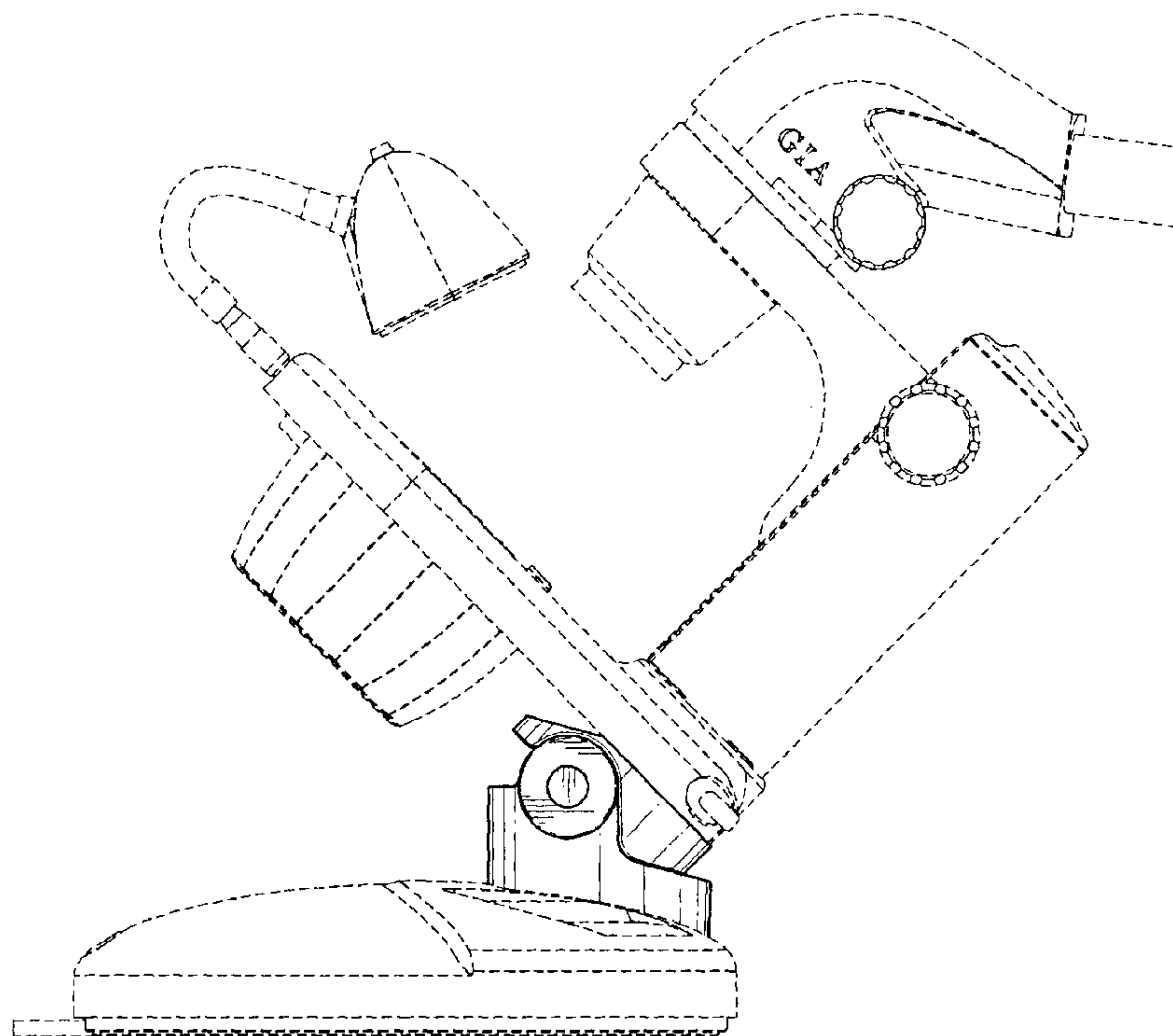
FIG. 5 is a rear end view of the gem microscope hinge assembly;

FIG. 6 is a front end view of the gem microscope hinge assembly; and,

FIG. 7 is a right side view of the gem microscope and gem microscope hinge assembly depicted in FIG. 1, shown in a reclined position.

The broken line showing of the microscope is for illustrative purposes only and forms no part of the claimed design.

1 Claim, 4 Drawing Sheets



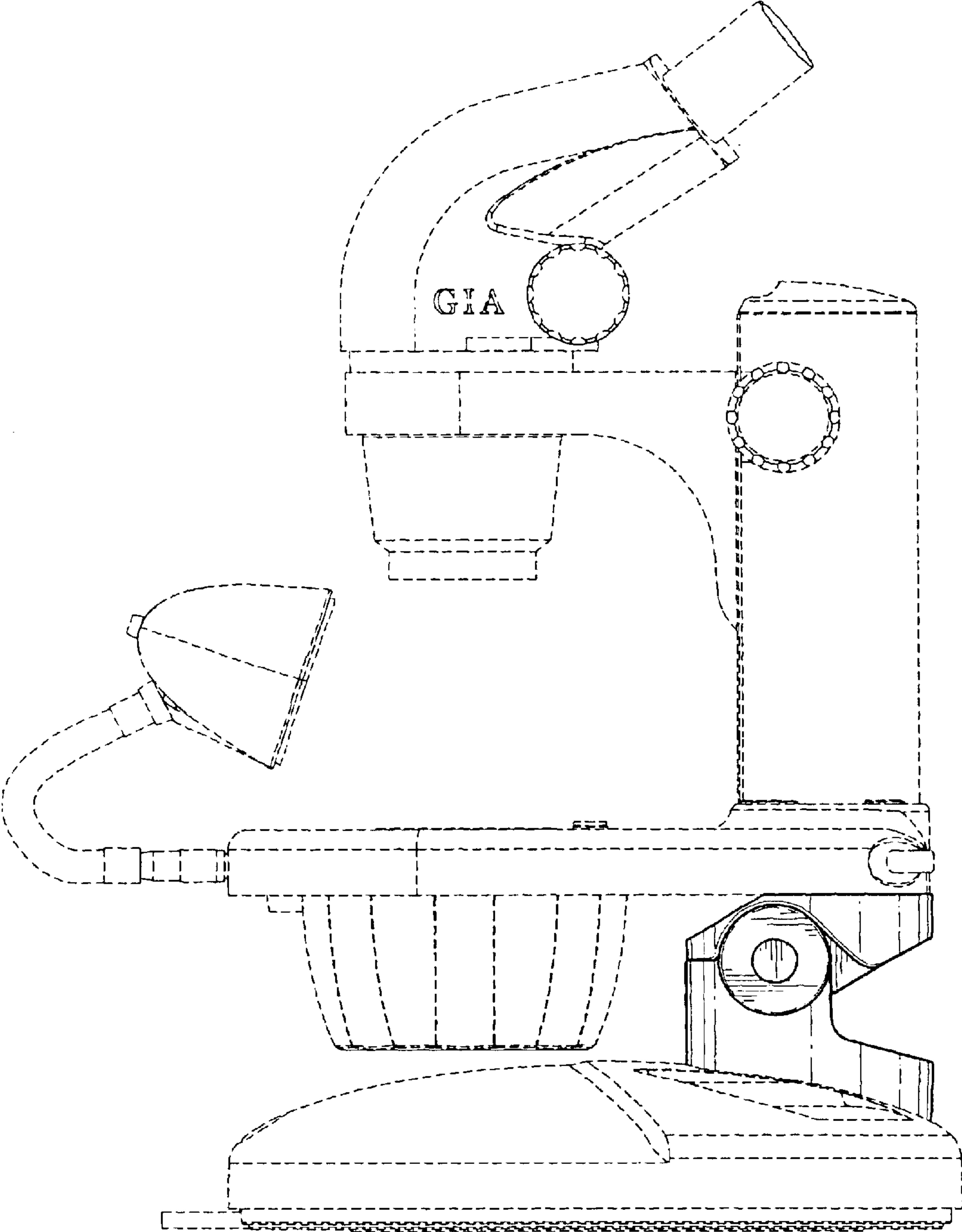


FIG. 1

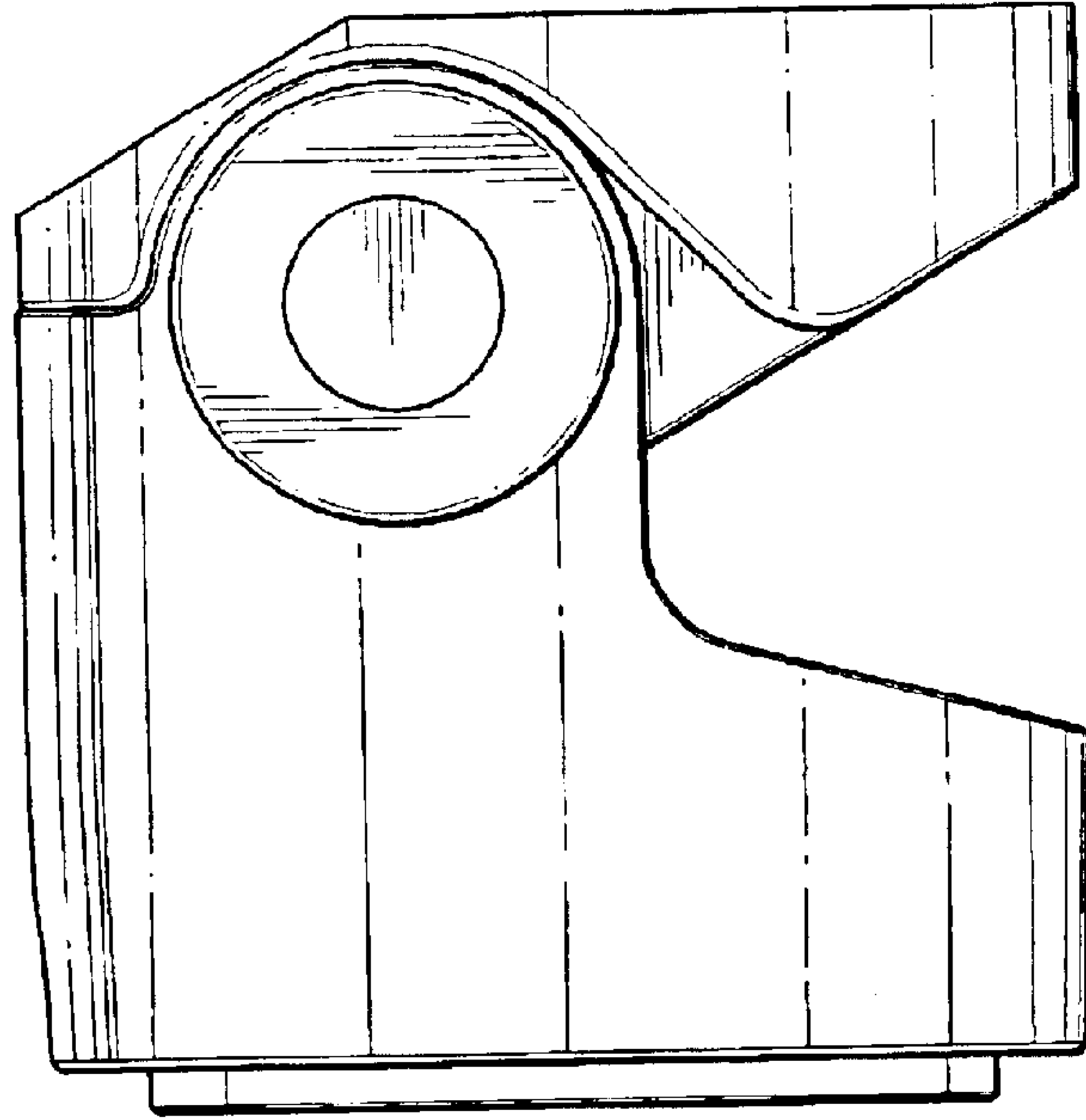


FIG. 2

FIG. 3

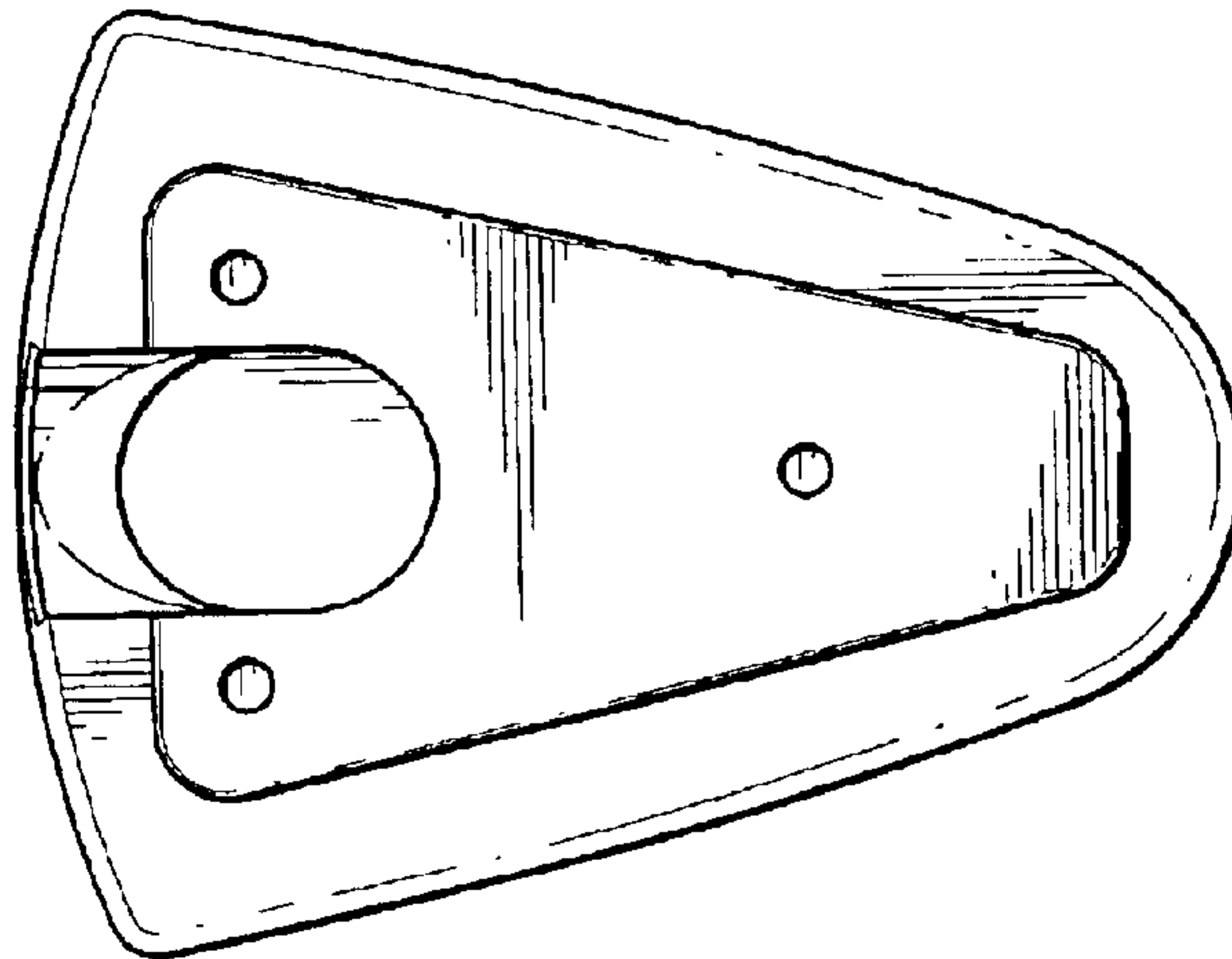
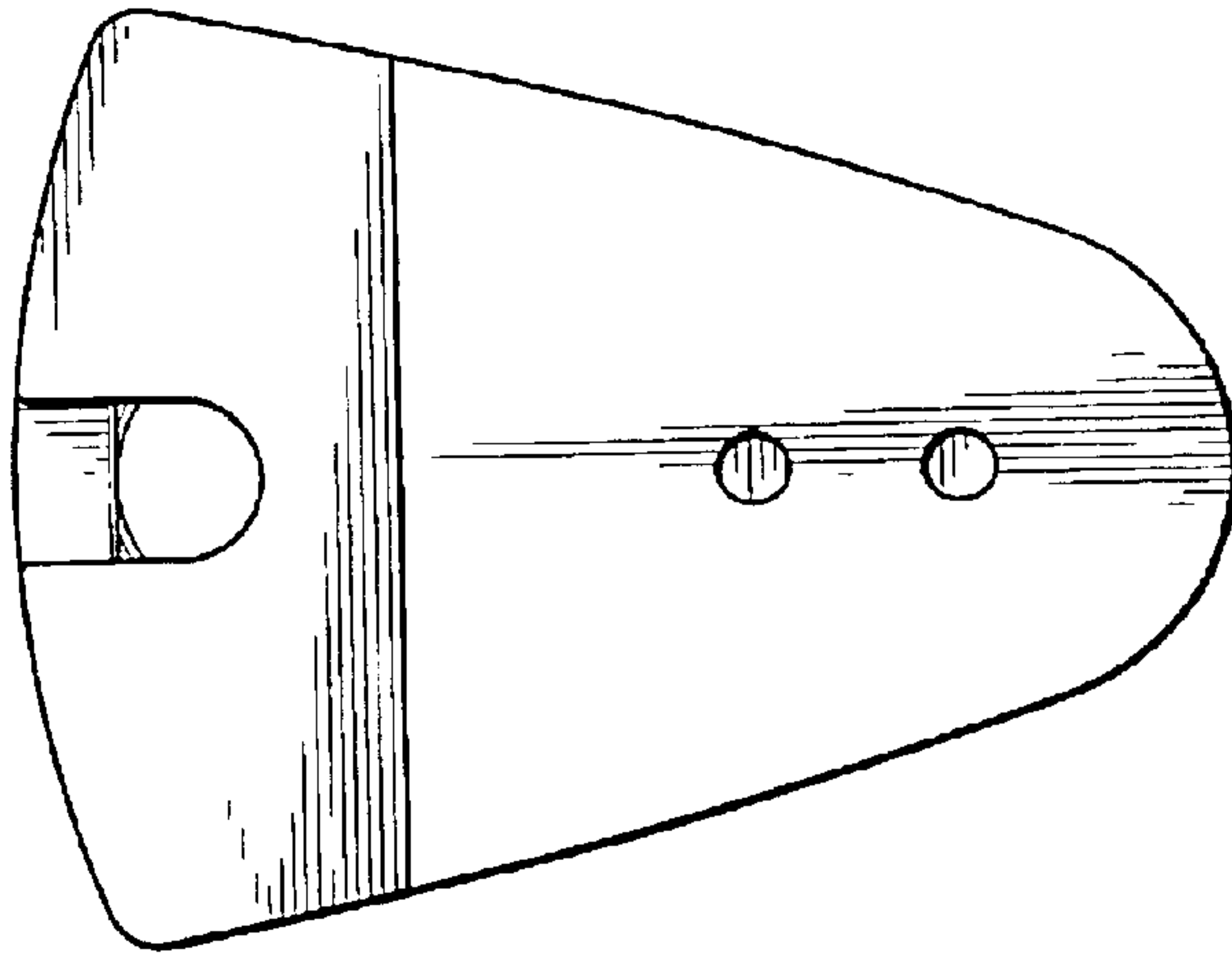


FIG. 4

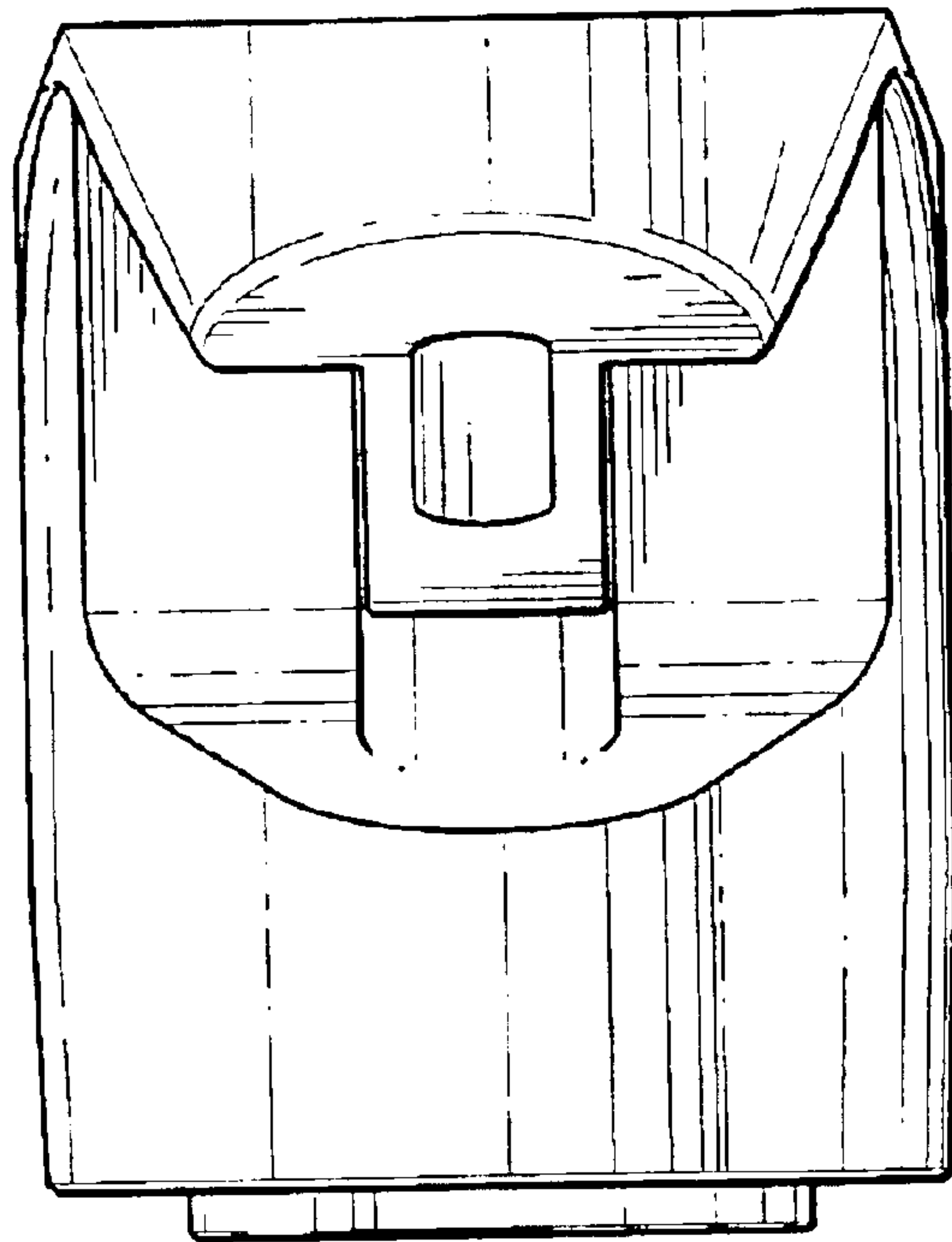


FIG. 5

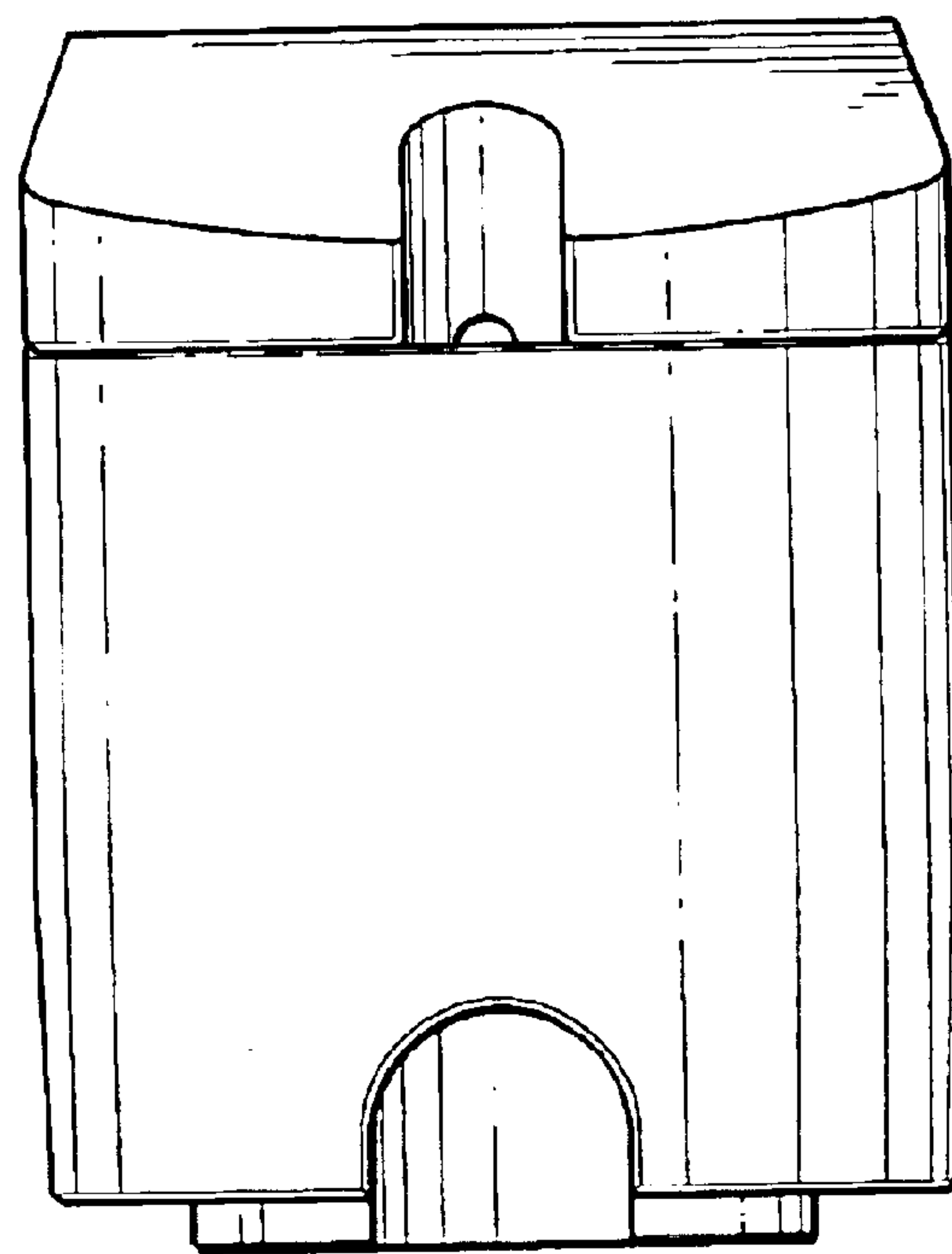


FIG. 6

