

US00D492708S1

(12) **United States Design Patent**
Wang

(10) **Patent No.:** **US D492,708 S**

(45) **Date of Patent:** **** Jul. 6, 2004**

(54) **SHANK OF GRINDING PEN**

5,759,092 A * 6/1998 Liu 451/125
6,681,655 B2 * 1/2004 Rein 76/48

(76) Inventor: **Hsi-Chang Wang**, 1F, No. 8-4, Lane
17, Sec. 3, Longmi Rd., Bali Township,
Taipei Hsien (TW)

* cited by examiner

(**) Term: **14 Years**

Primary Examiner—Antoine D. Davis
(74) *Attorney, Agent, or Firm*—Bacon & Thomas, PLLC

(21) Appl. No.: **29/185,543**

(57) **CLAIM**

(22) Filed: **Jul. 1, 2003**

The ornamental design for shank of grinding pen, as shown
and described.

(51) **LOC (7) Cl.** **15-09**

DESCRIPTION

(52) **U.S. Cl.** **D15/133**

(58) **Field of Search** D15/133; 76/30-45,
76/48

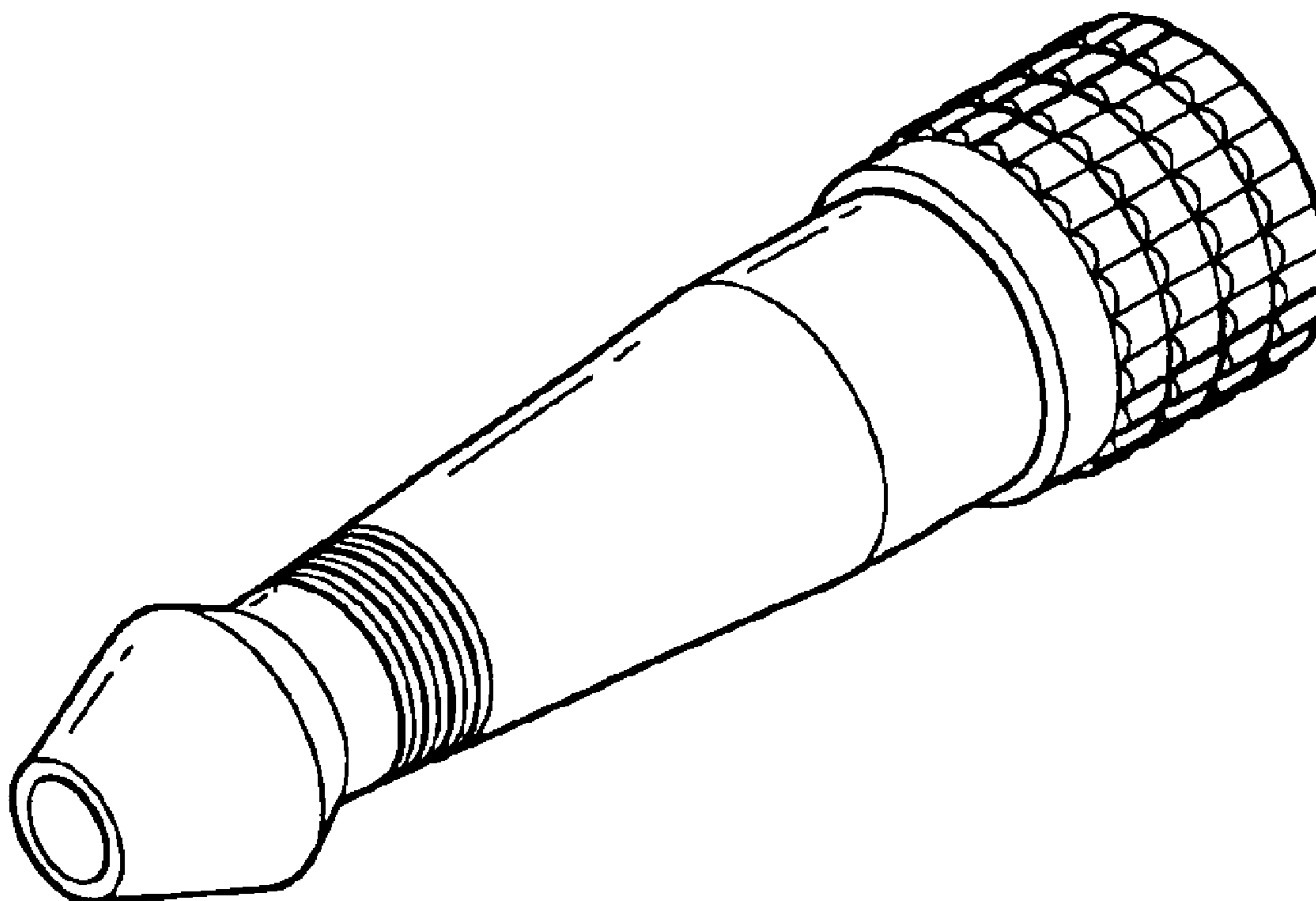
FIG. 1.is a top, front right side perspective view thereof;
FIG. 2.is a front elevational view thereof;
FIG. 3.is a rear elevational view thereof;
FIG. 4.is a left plan view thereof;
FIG. 5.is a right plan view thereof;
FIG. 6.is a top plan view thereof; and,
FIG. 7.is a bottom plan view thereof.

(56) **References Cited**

U.S. PATENT DOCUMENTS

4,903,552 A * 2/1990 Kuwica 76/36
5,213,207 A * 5/1993 Konev 206/234
5,241,882 A * 9/1993 Eriksson 76/36

1 Claim, 6 Drawing Sheets



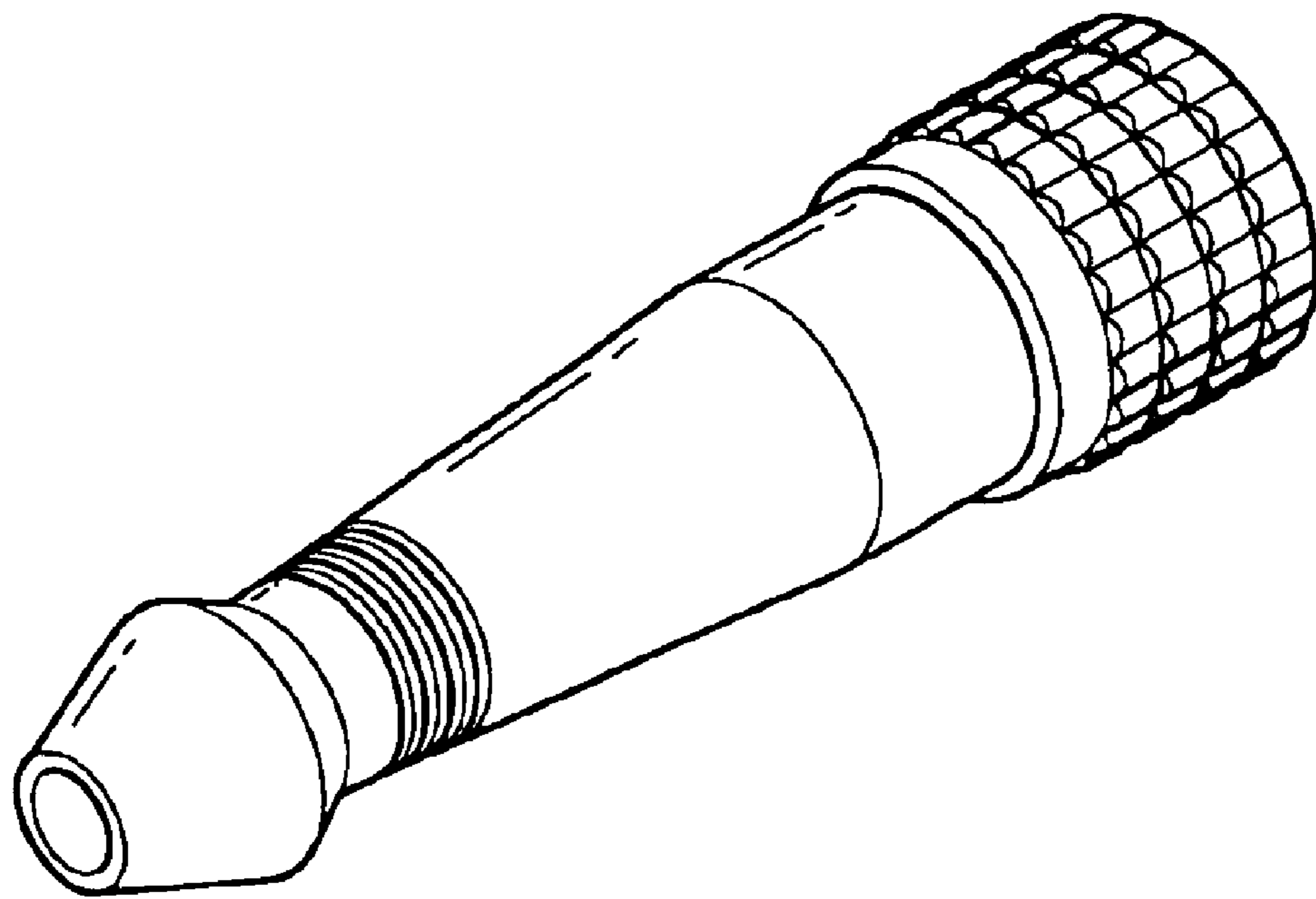


FIG. 1

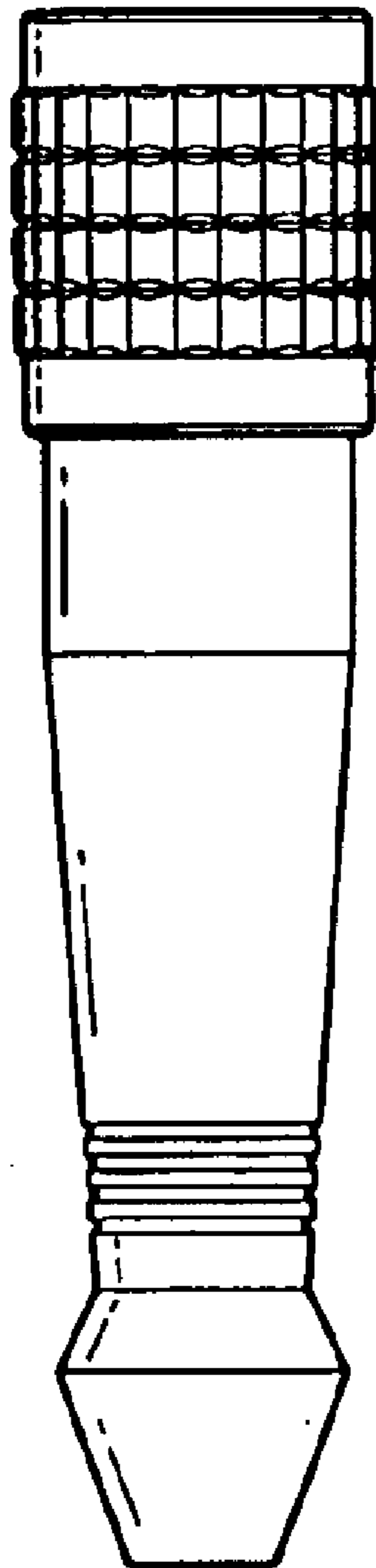


FIG. 2

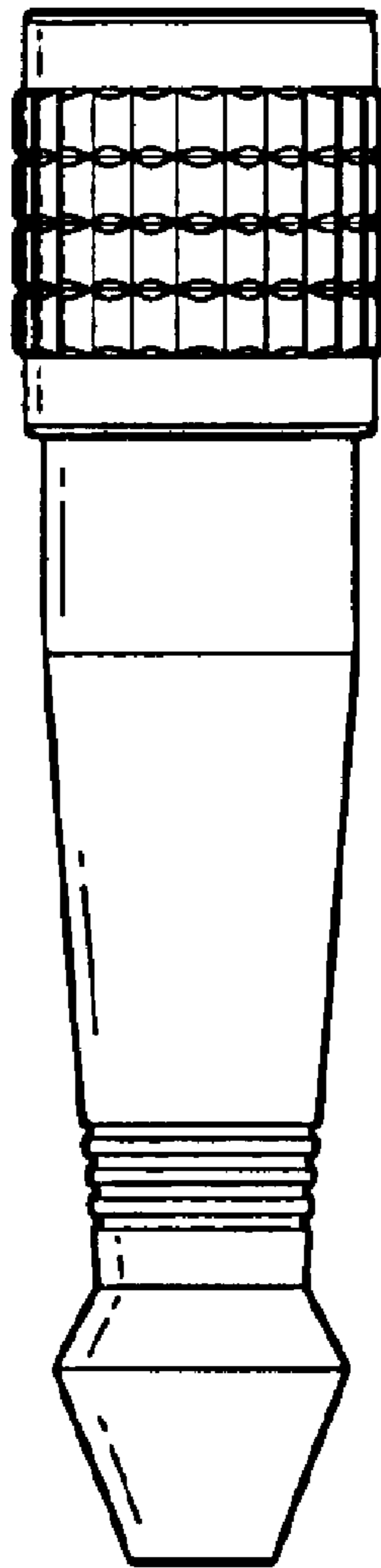


FIG. 3

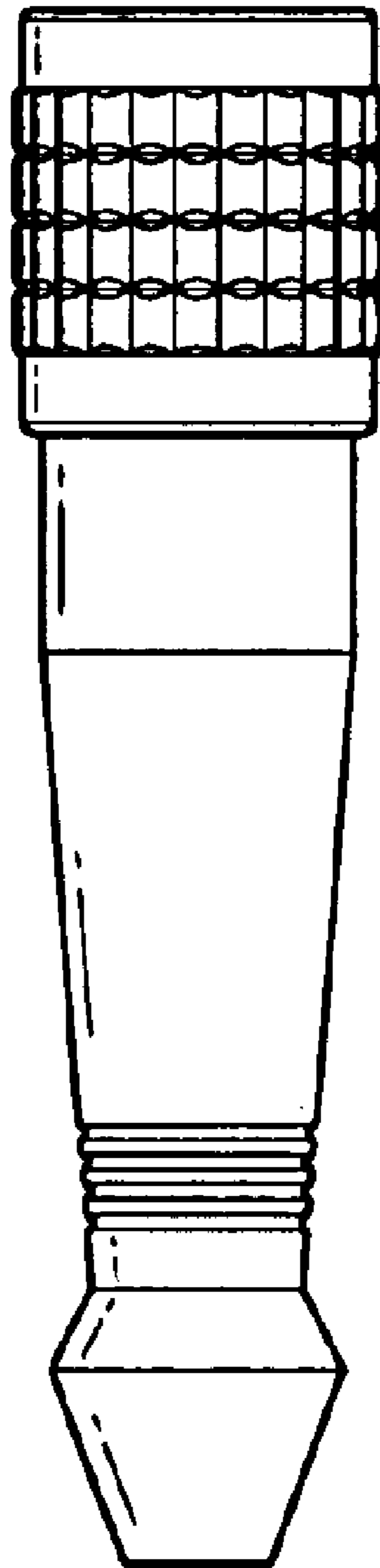


FIG. 4

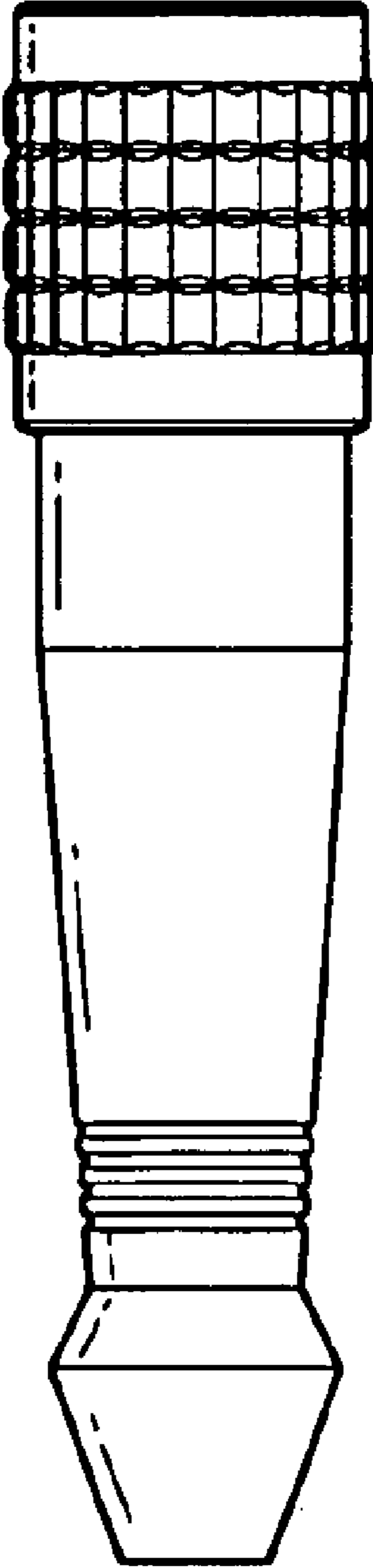


FIG. 5

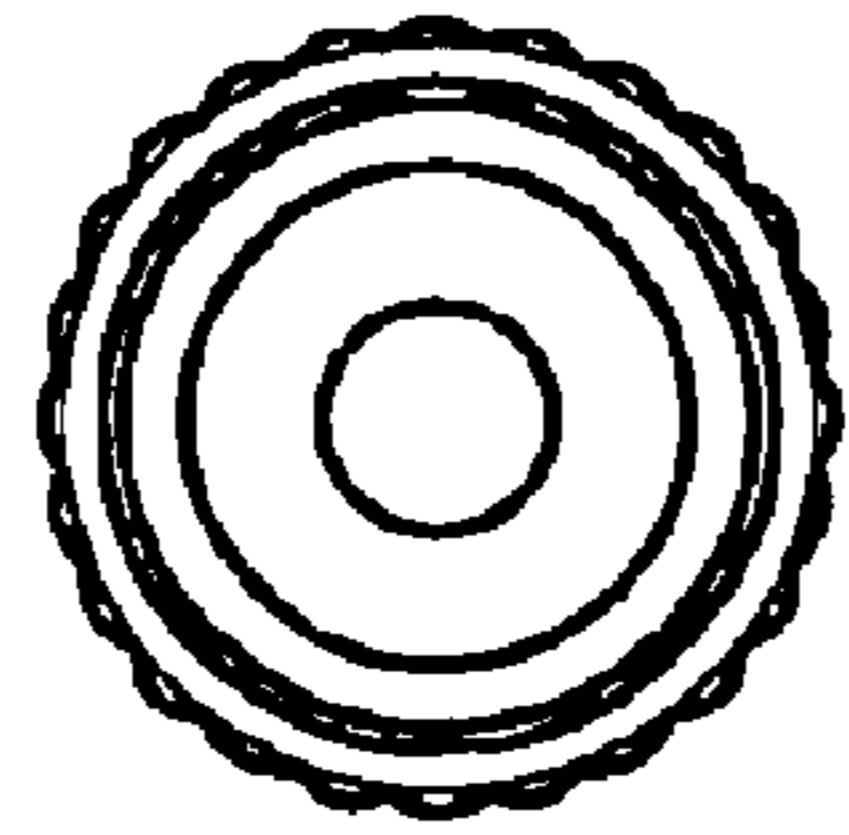


FIG. 6

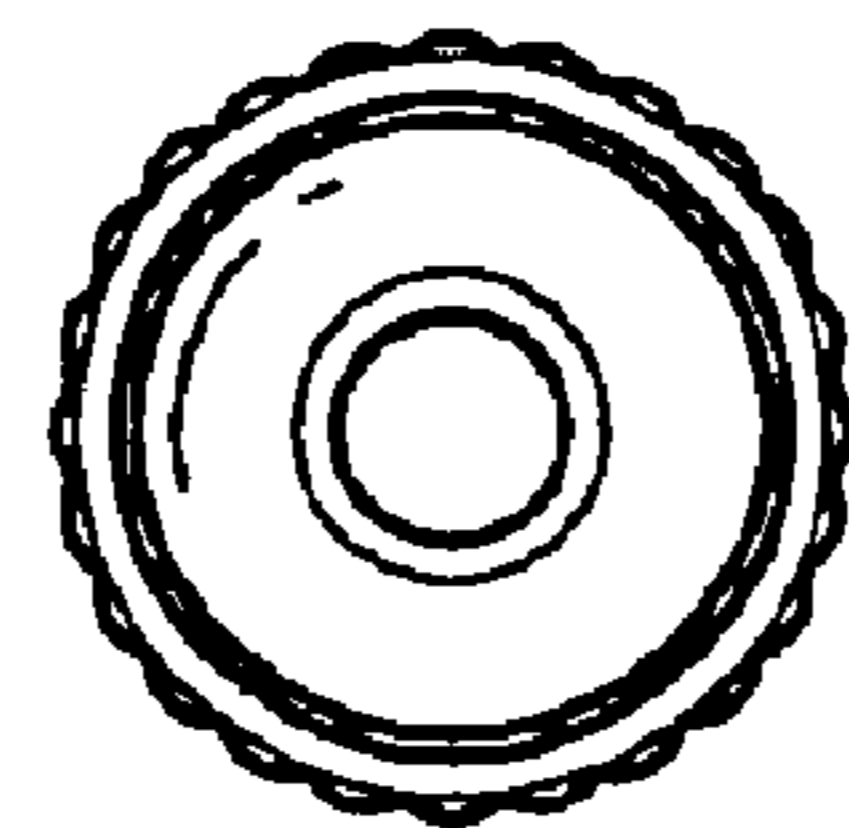


FIG. 7