

US00D492707S1

(12) **United States Design Patent** (10) Patent No.: **US D492,707 S**
Ceroll et al. (45) Date of Patent: **** Jul. 6, 2004**

(54) **PORTIONS OF A TABLE SAW**

(75) Inventors: **Warren A. Ceroll**, Owings Mills, MD (US); **Robert S. Gehret**, Hampstead, MD (US); **Daniel Puzio**, Baltimore, MD (US); **Frederick R. Bean**, Finksburg, MD (US); **Michael L. O'Banion**, Westminster, MD (US); **David A. Porter**, Hanover, PA (US); **Daniel A. Ferrara, Jr.**, Bantam, CT (US)

(73) Assignee: **Black & Decker Inc.**, Newark, DE (US)

(**) Term: **14 Years**

(21) Appl. No.: **29/182,798**

(22) Filed: **Jun. 2, 2003**

Related U.S. Application Data

(63) Continuation of application No. 29/166,880, filed on Sep. 5, 2002, which is a continuation of application No. 29/153,581, filed on Jan. 9, 2002, now Pat. No. Des. 466,913, which is a continuation of application No. 29/140,610, filed on Apr. 20, 2001, now Pat. No. Des. 458,281, which is a continuation of application No. 29/126,986, filed on Jul. 20, 2000, now Pat. No. Des. 444,485, which is a continuation of application No. 29/118,568, filed on Feb. 9, 2000, now Pat. No. Des. 445,119, which is a continuation of application No. 29/105,292, filed on May 21, 1999, now Pat. No. Des. 425,918, which is a continuation of application No. 29/096,838, filed on Nov. 20, 1998, now Pat. No. Des. 414,786, which is a continuation of application No. 29/090,751, filed on Jul. 15, 1998, now Pat. No. Des. 407,725, which is a continuation of application No. 29/083,053, filed on Jan. 20, 1998, now Pat. No. Des. 410,474, which is a continuation of application No. 29/070,477, filed on May 8, 1997, now Pat. No. Des. 395,322, which is a continuation of application No. 29/057,853, filed on Aug. 1, 1996, now Pat. No. Des. 394,071, which is a continuation of application No. 29/051,851, filed on Mar. 1, 1996, now abandoned.

(51) LOC (7) Cl. **15-09**

(52) U.S. Cl. **D15/133**

(58) Field of Search D15/199, 133; 83/432, 435, 468.7, 477.2, 477, 478, 522.3, 522.1; 269/318, 165, 180

(56) **References Cited**

U.S. PATENT DOCUMENTS

D394,071 S * 5/1998 Ceroll et al. D15/133

* cited by examiner

Primary Examiner—Antoine D. Davis

(74) *Attorney, Agent, or Firm*—Adan Ayala

(57) **CLAIM**

The ornamental design for portions of a table saw, as shown and described.

DESCRIPTION

FIG. 1 is a front elevational view of portions of a table saw showing our new design.

FIG. 2 is a right side elevational of the portions.

FIG. 3 is a rear elevational of the portions.

FIG. 4 is a left side elevational of the portions.

FIG. 5 is a front perspective view from the left side of the portions.

FIG. 6 is a rear perspective view from the right side of the portions; and,

FIG. 7 is a top plan view of the portions.

In the above drawings, any broken line illustration is not part of the design sought to be patented. In addition, any views not shown thereof do not form a part of the invention.

1 Claim, 7 Drawing Sheets

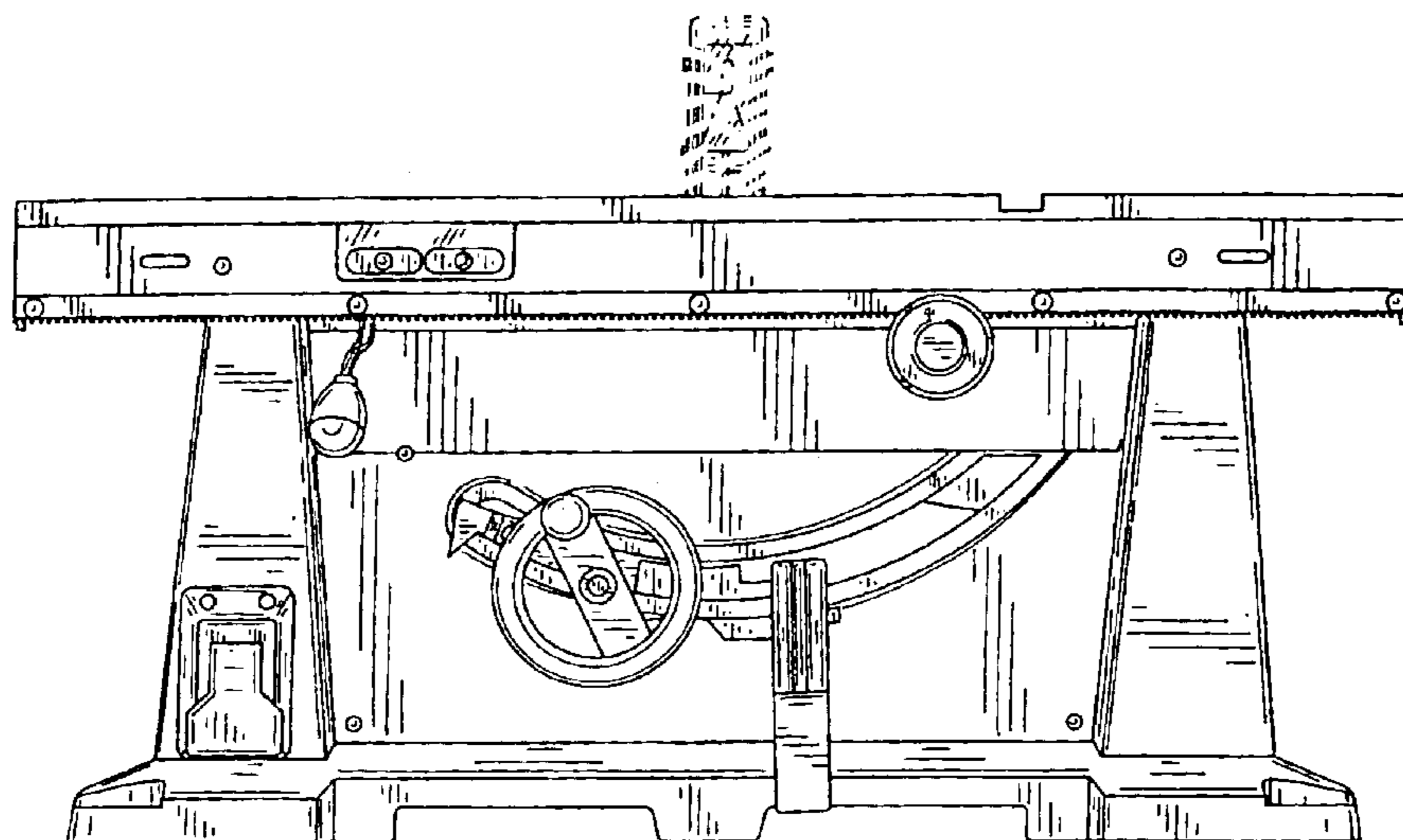


FIG. 1

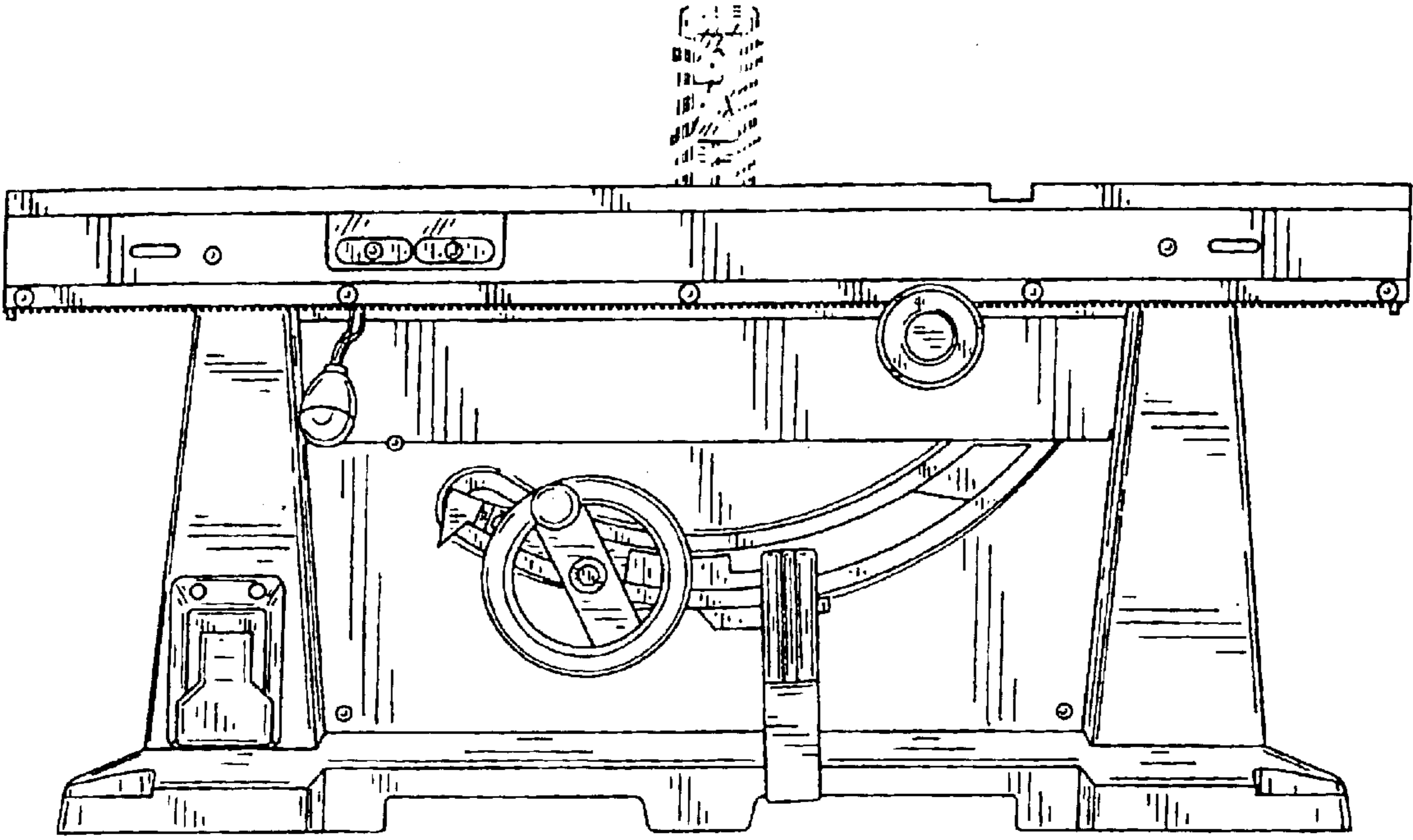


FIG. 2

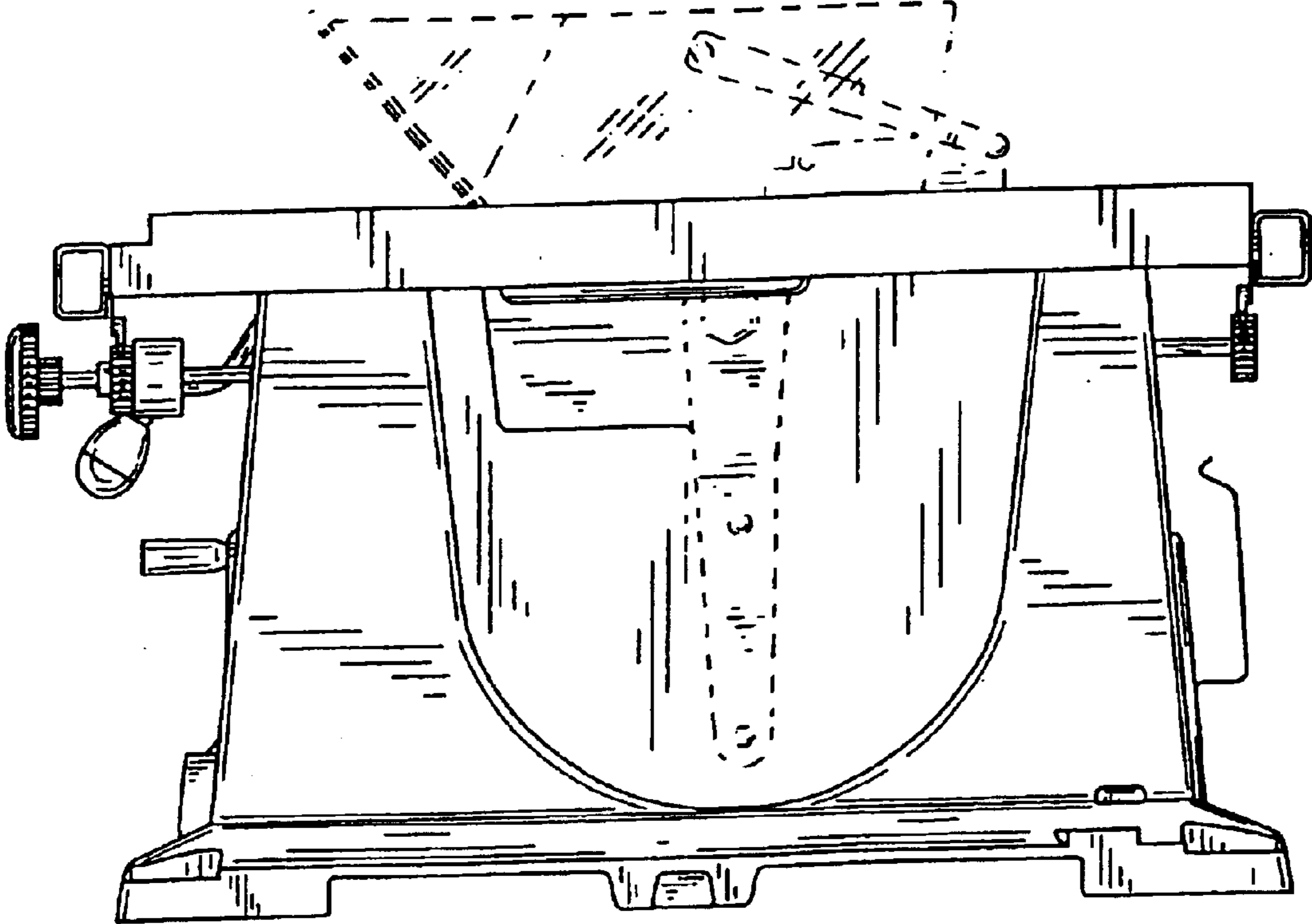


FIG. 3

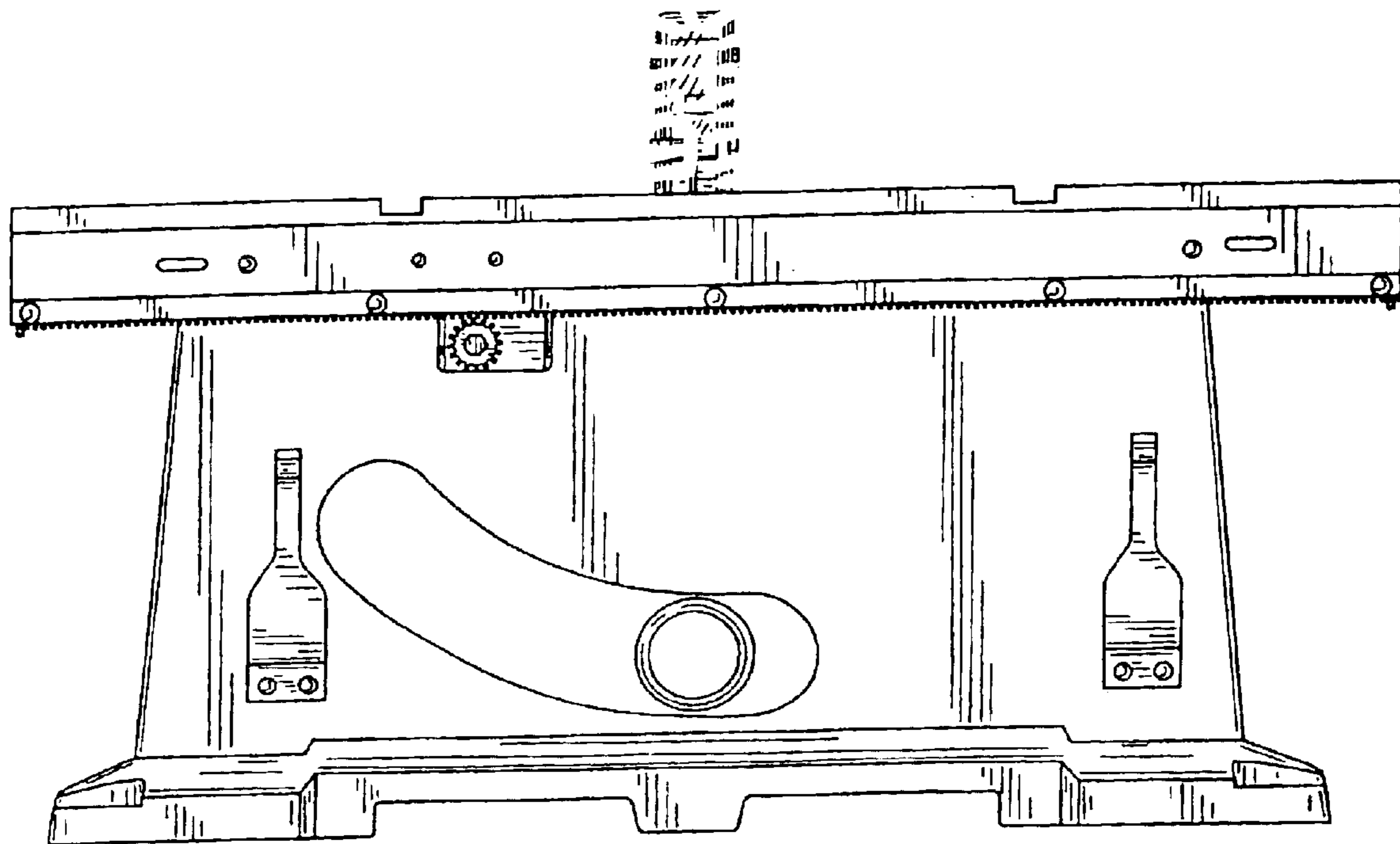


FIG. 4

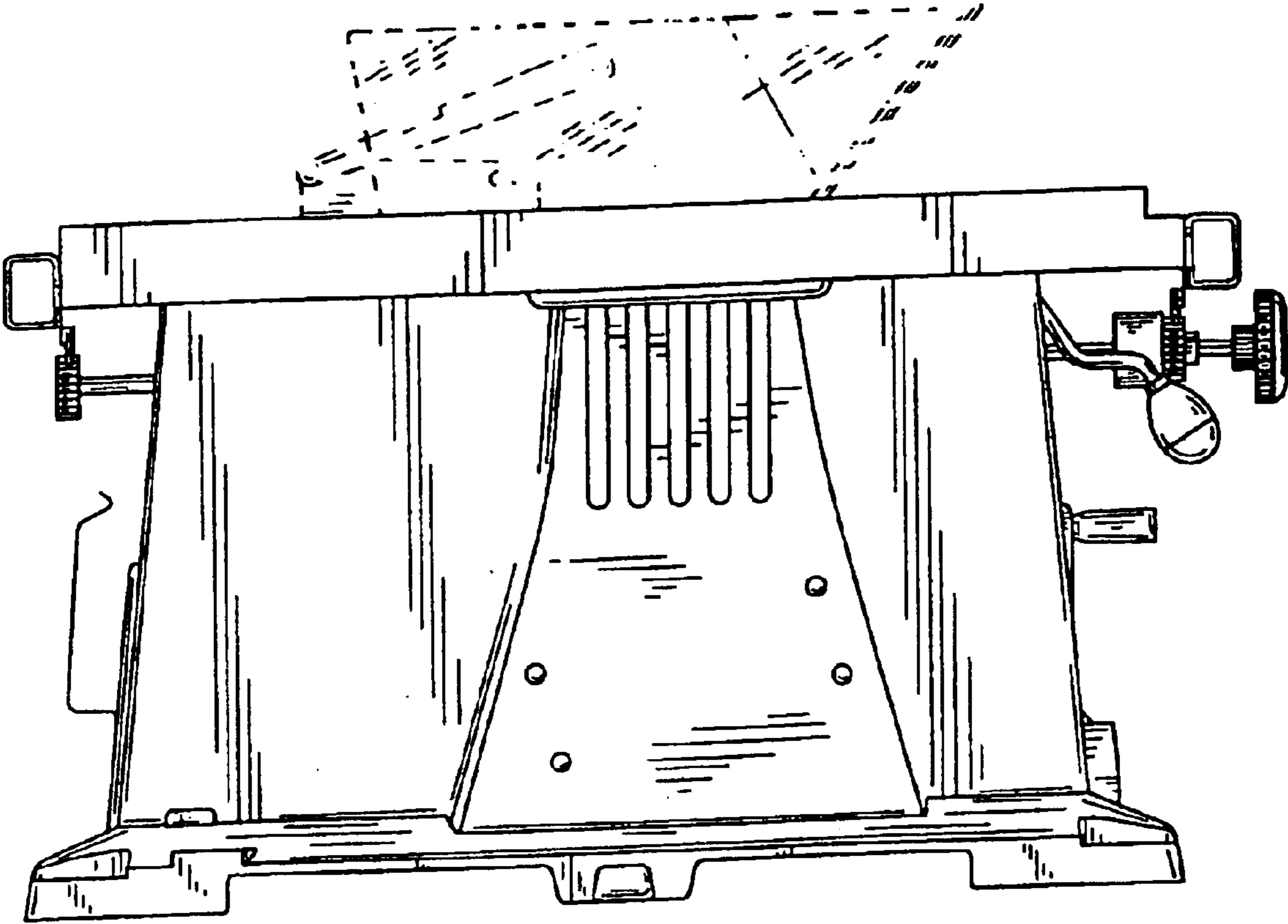


FIG. 5

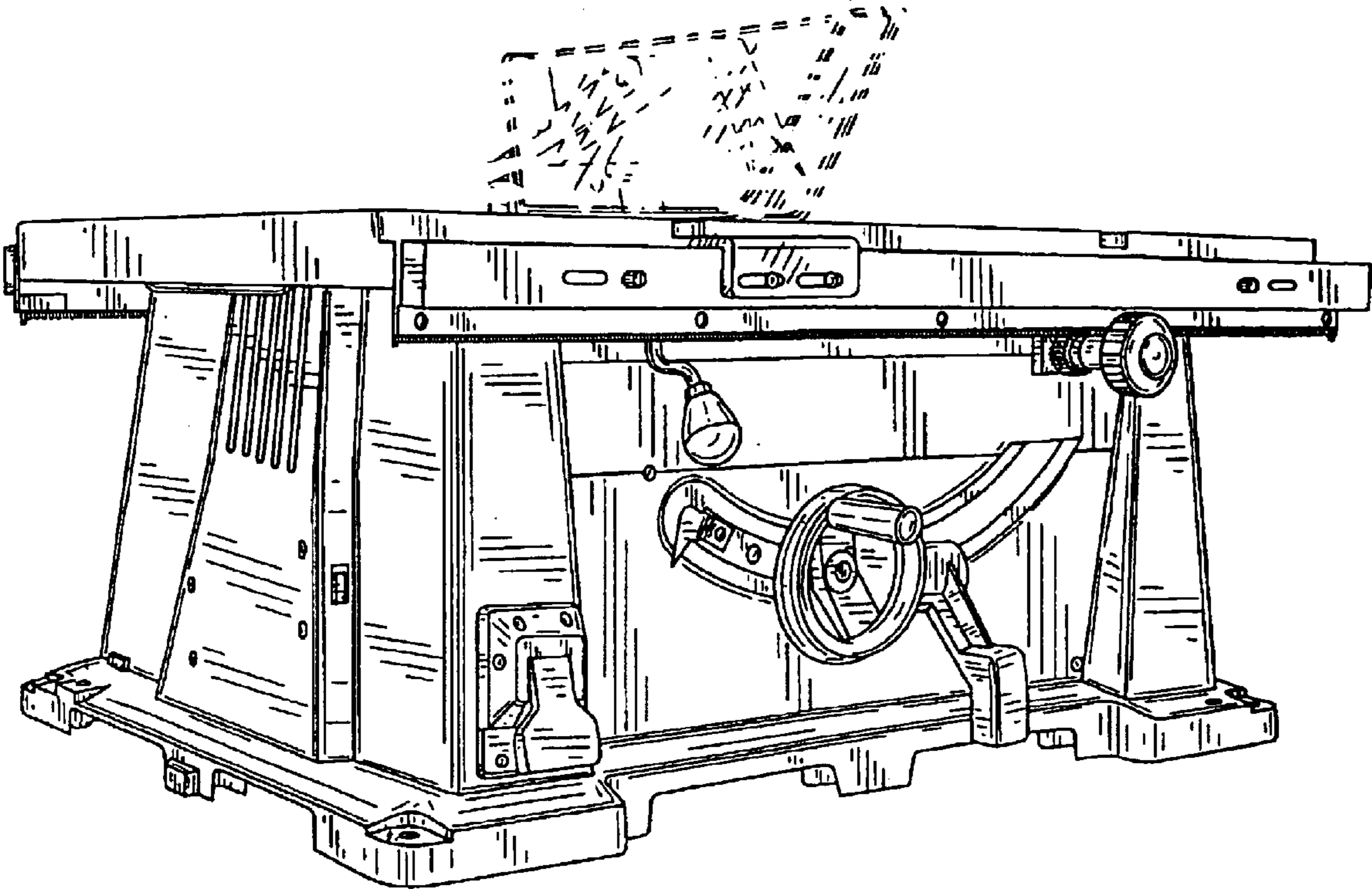


FIG. 6

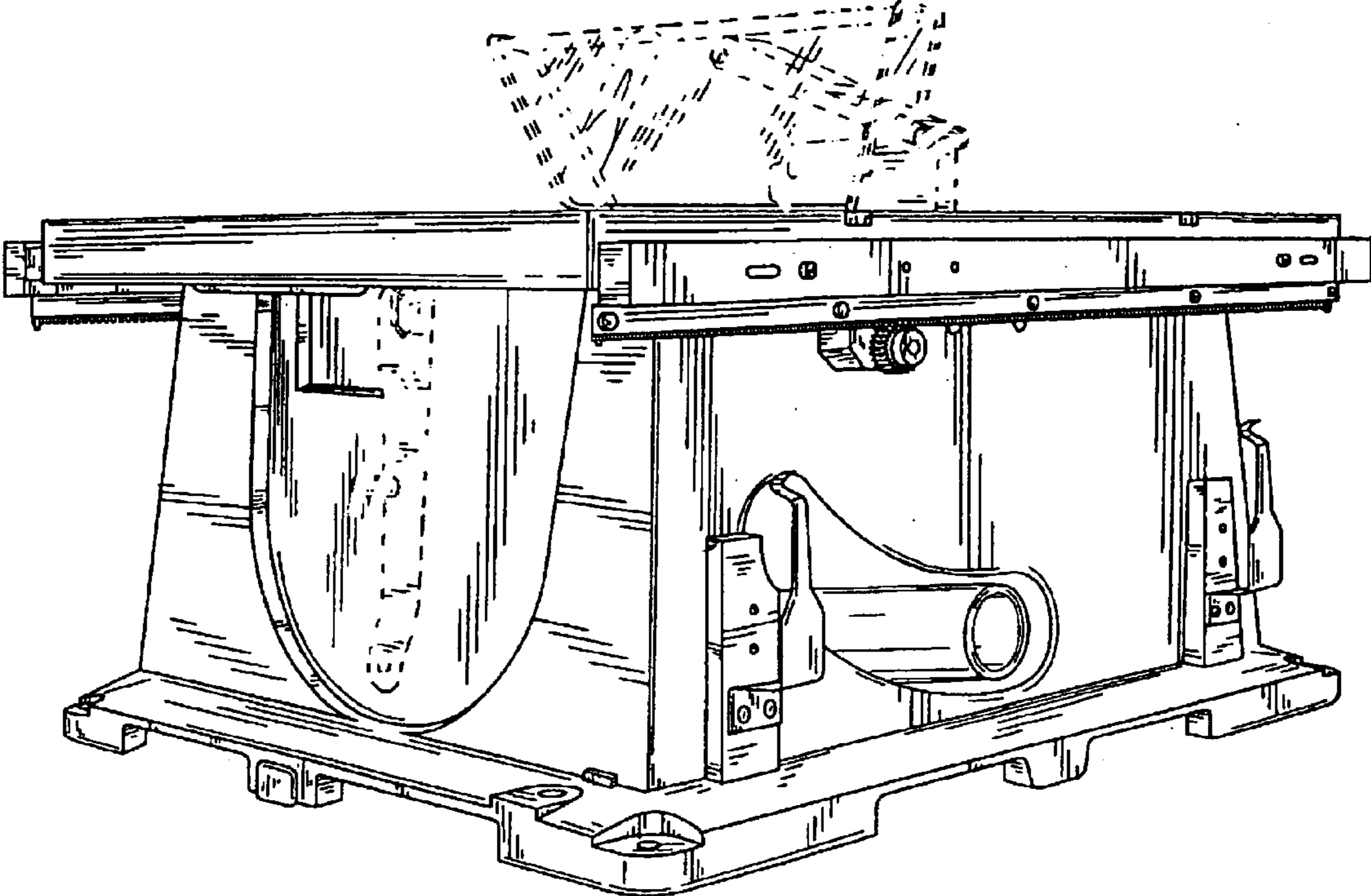


FIG. 7

