

US00D492704S1

(12) **United States Design Patent**  
**Kuroki**

(10) **Patent No.:** **US D492,704 S**

(45) **Date of Patent:** **\*\* Jul. 6, 2004**

(54) **SEWING MACHINE**

(75) **Inventor:** **Nobufusa Kuroki, Tokyo (JP)**

(73) **Assignee:** **Janome Sewing Machine Co., Ltd.,  
Tokyo (JP)**

(\*\*) **Term:** **14 Years**

(21) **Appl. No.:** **29/194,448**

(22) **Filed:** **Nov. 25, 2003**

(30) **Foreign Application Priority Data**

May 26, 2003 (JP) ..... 2003-014539

(51) **LOC (7) Cl.** ..... **15-06**

(52) **U.S. Cl.** ..... **D15/69**

(58) **Field of Search** ..... D15/66, 69; 112/63,  
112/258-261, 217.1-217.4, 404, 470.04,  
102.5, 445

(56) **References Cited**

**U.S. PATENT DOCUMENTS**

6,016,759 A \* 1/2000 Russell ..... 114/39.21  
D450,720 S \* 11/2001 Kuroki ..... D15/69  
D450,722 S \* 11/2001 Kawaguchi ..... D15/69

D459,737 S \* 7/2002 Kuroki ..... D15/69  
D460,765 S \* 7/2002 Kuroki ..... D15/69  
D472,562 S \* 4/2003 Yamamoto et al. .... D15/69  
D474,208 S \* 5/2003 Kawaguchi ..... D15/69  
D481,739 S \* 11/2003 Iwai ..... D15/69  
D483,774 S \* 12/2003 Kuroki ..... D15/69

\* cited by examiner

*Primary Examiner*—Mitchell Siegel

(74) *Attorney, Agent, or Firm*—McGinn & Gibb, PLLC

(57) **CLAIM**

The ornamental design for a sewing machine, as shown and described.

**DESCRIPTION**

FIG. 1 is a perspective view of a sewing machine showing my design;  
FIG. 2 is another perspective view thereof;  
FIG. 3 is a front elevational view thereof;  
FIG. 4 is a rear elevational view thereof;  
FIG. 5 is a top plan view thereof;  
FIG. 6 is a bottom plan view thereof;  
FIG. 7 is a right side elevational view thereof; and,  
FIG. 8 is a left side elevational view thereof.

**1 Claim, 8 Drawing Sheets**

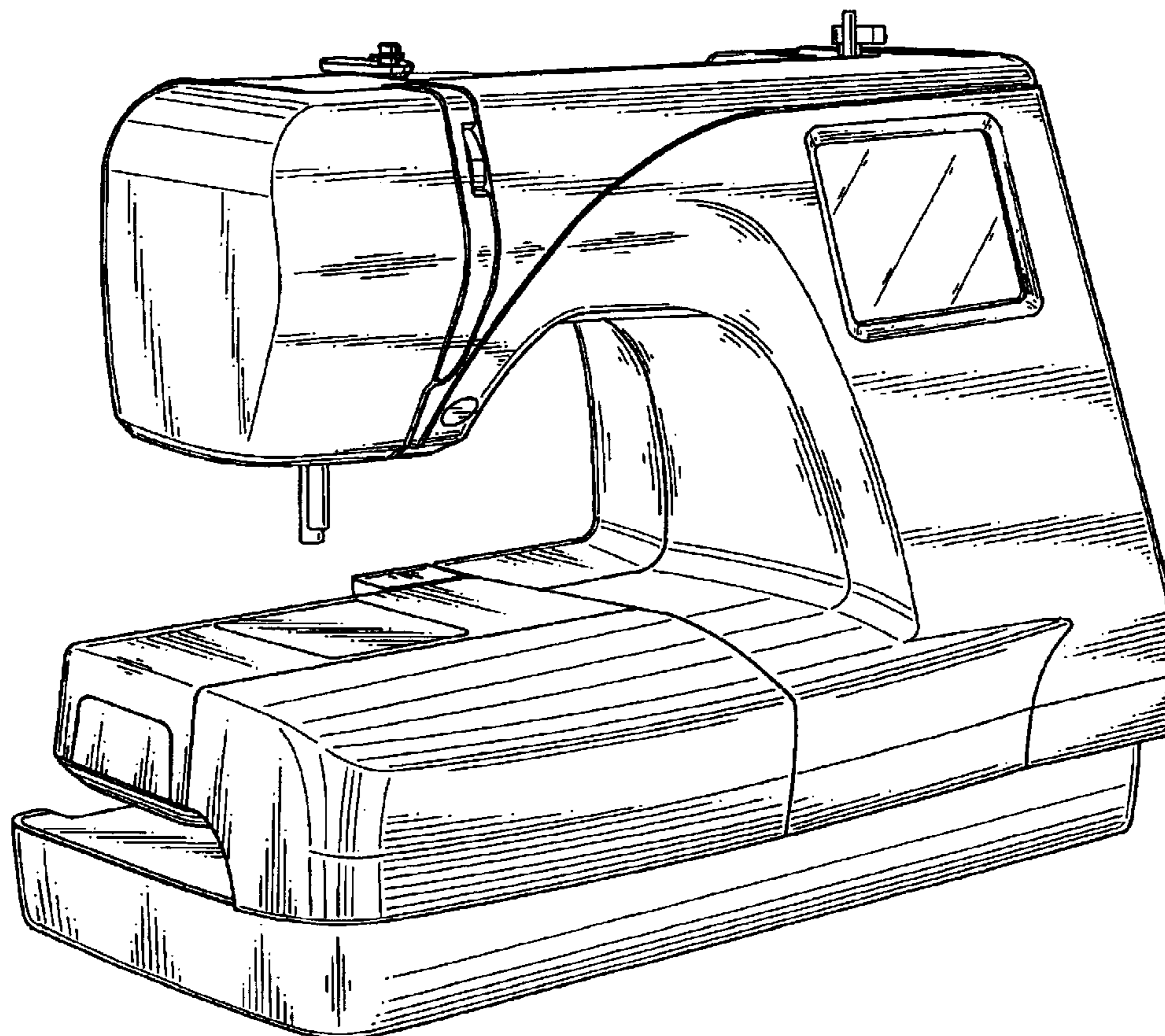


FIG. 1

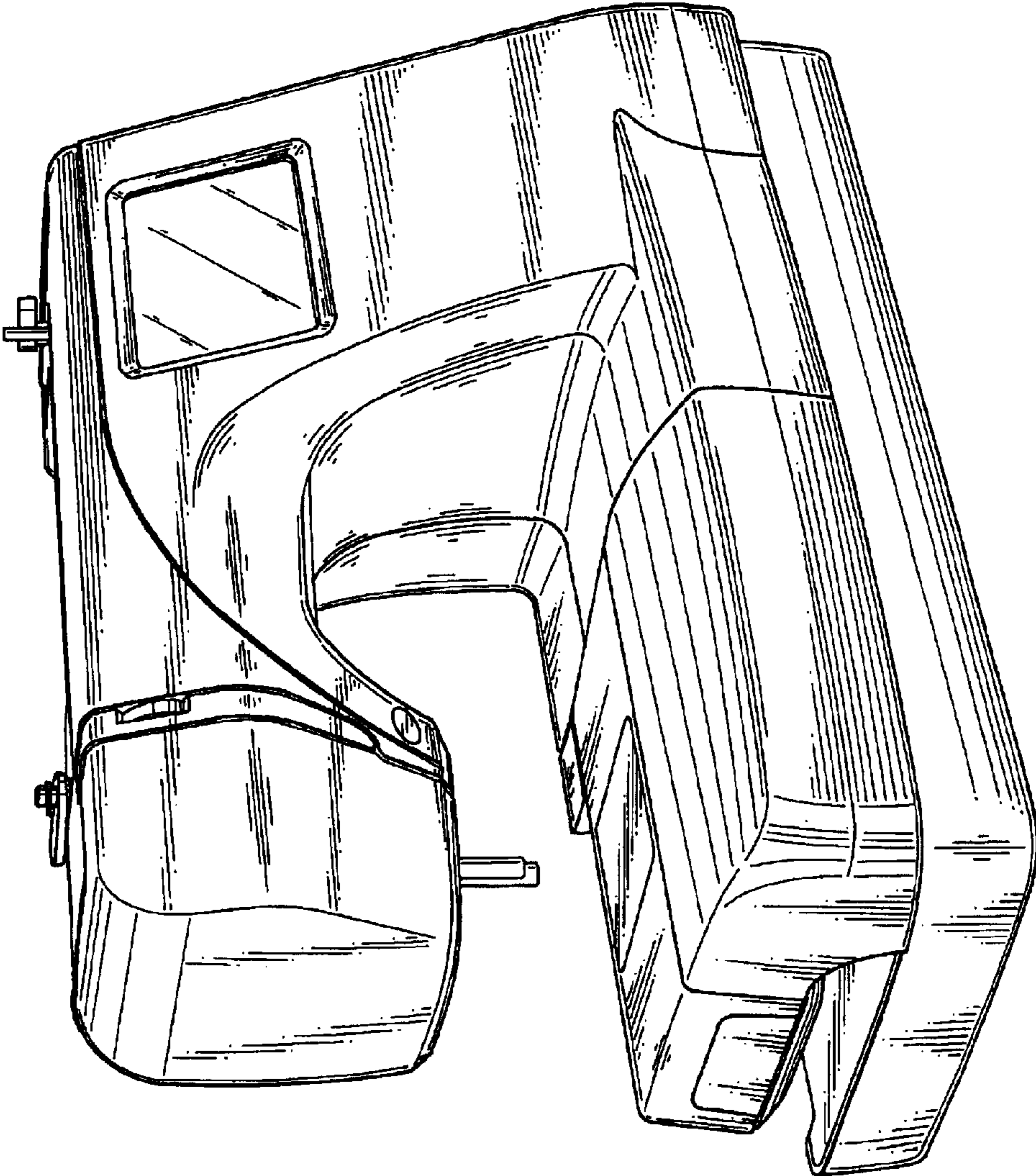


FIG. 2

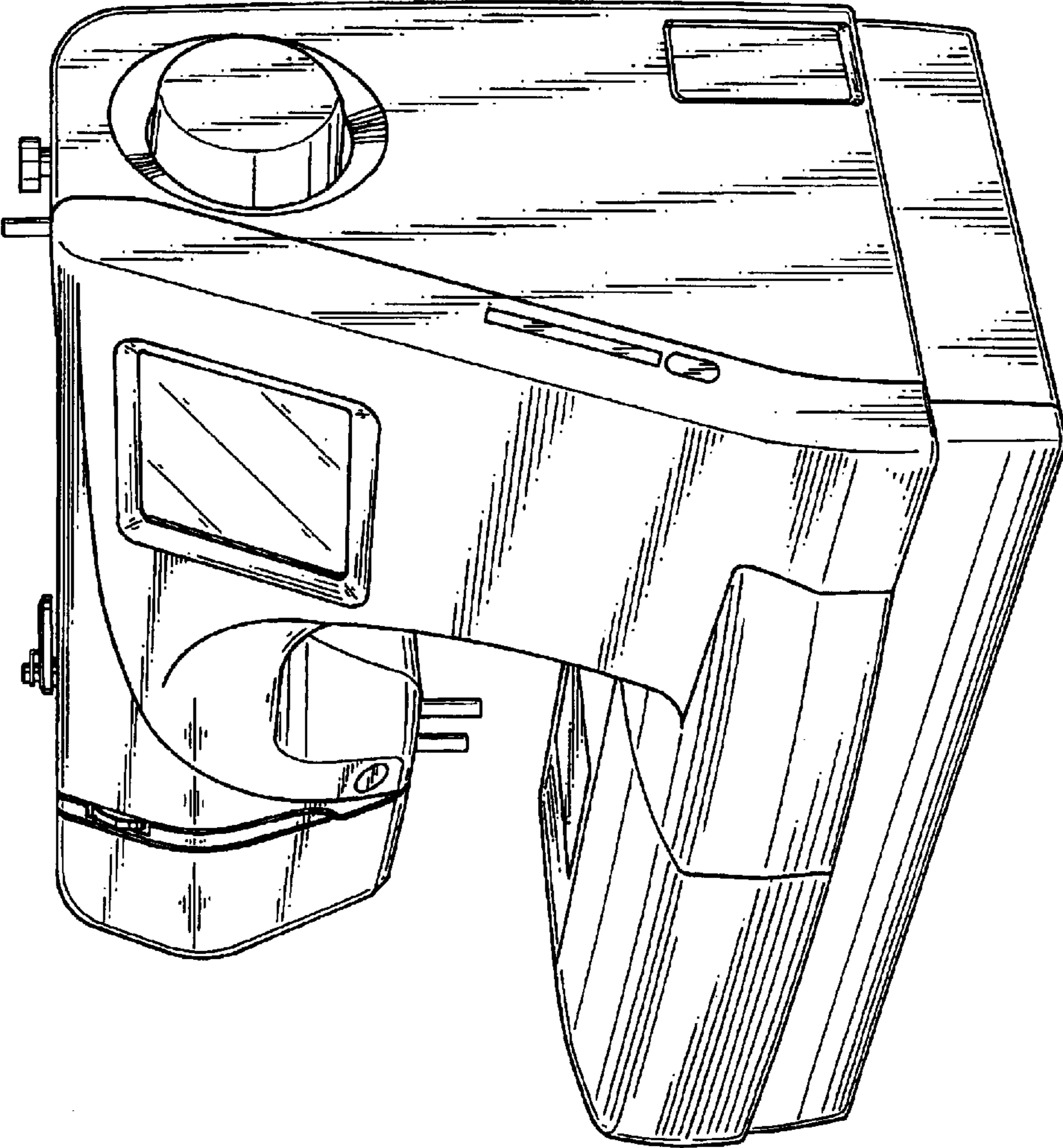


FIG. 3

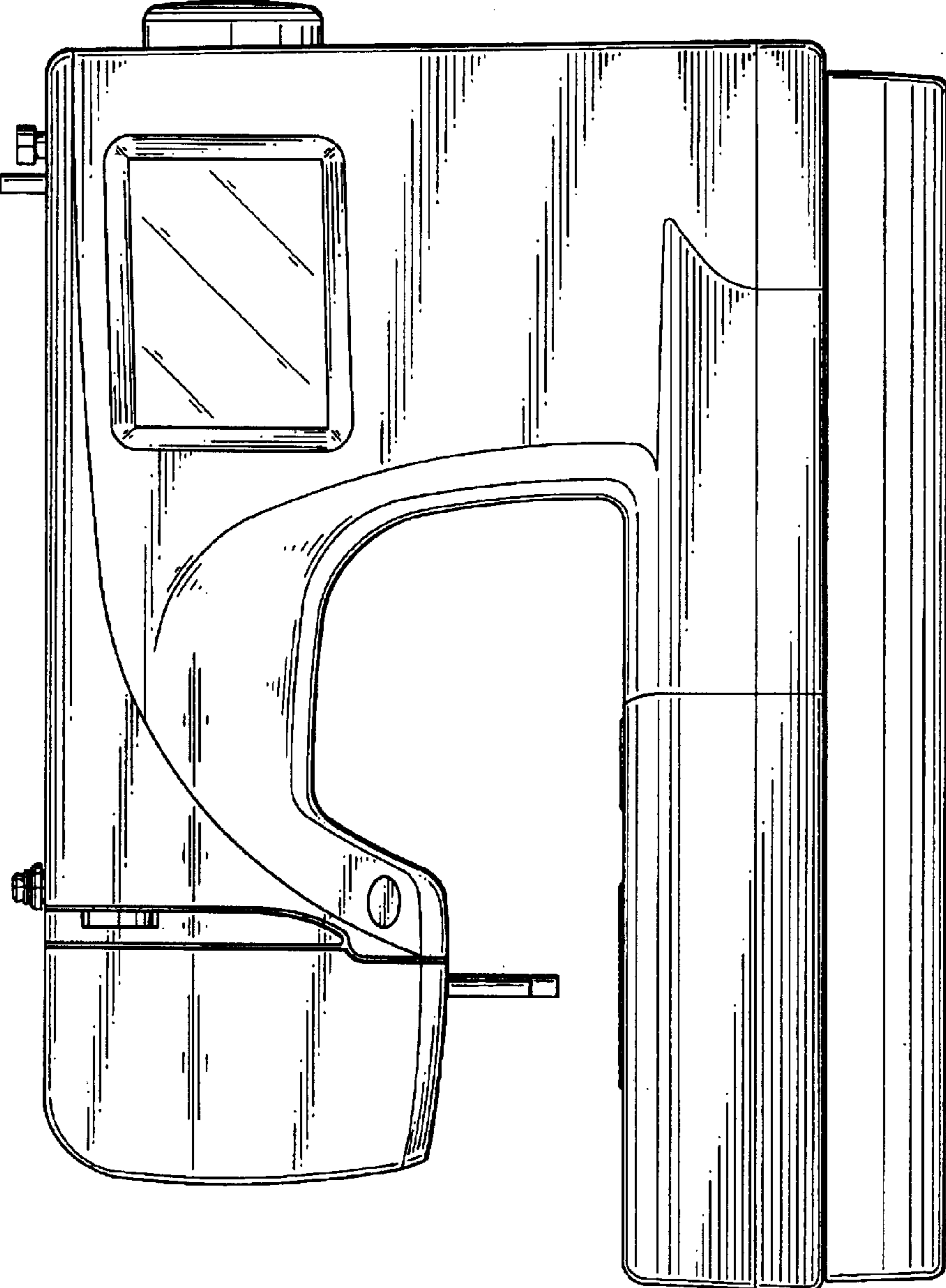




FIG. 4

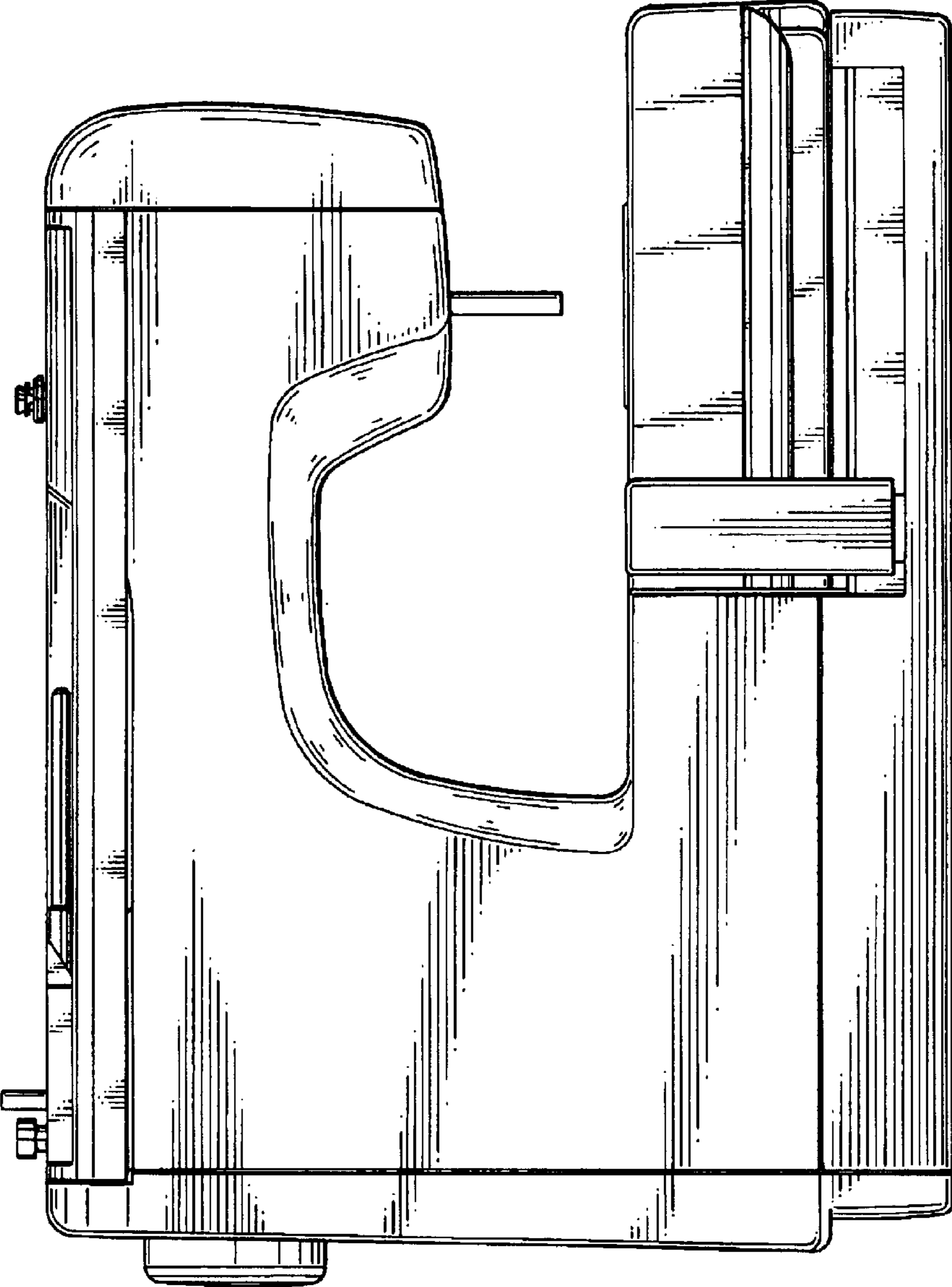


FIG. 5

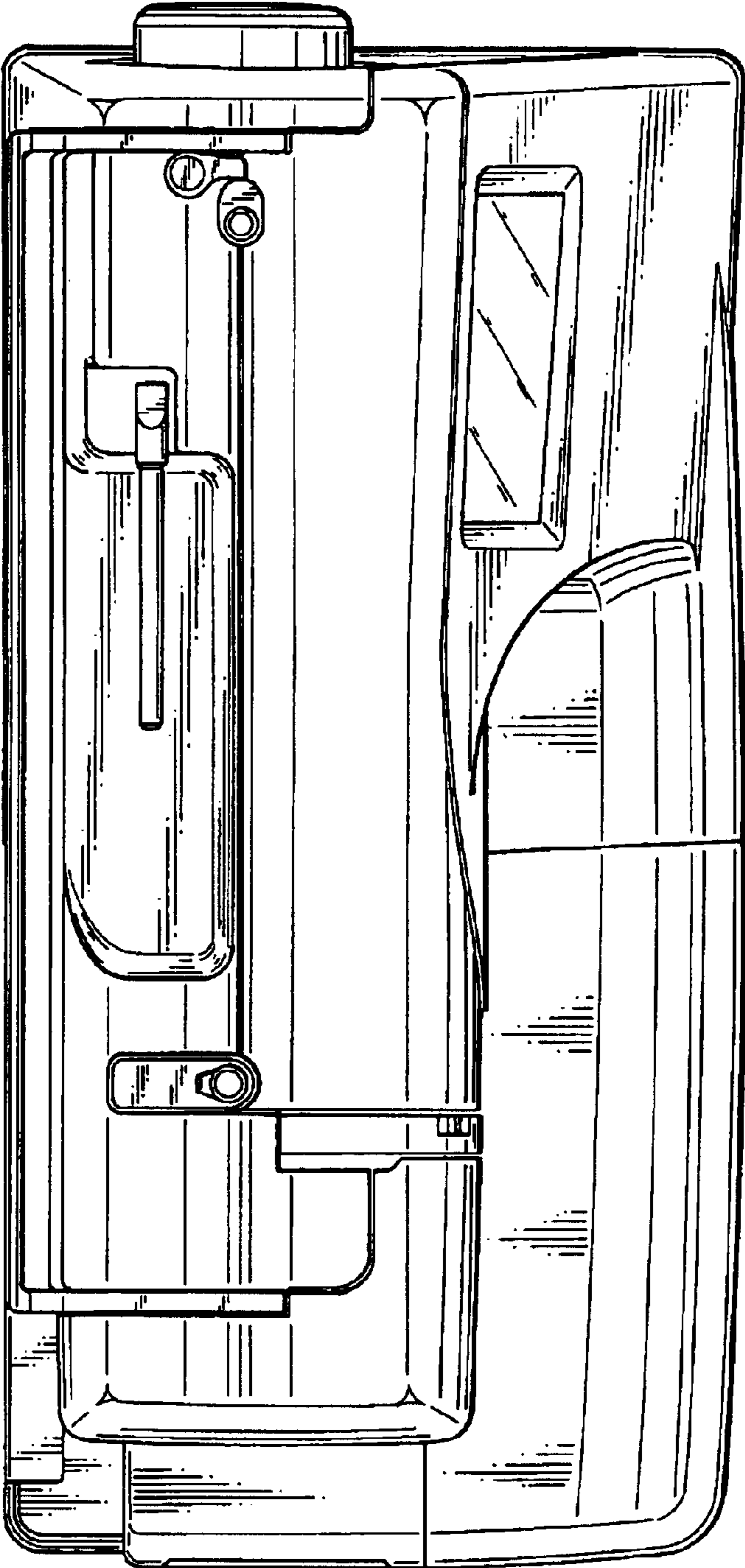


FIG. 6

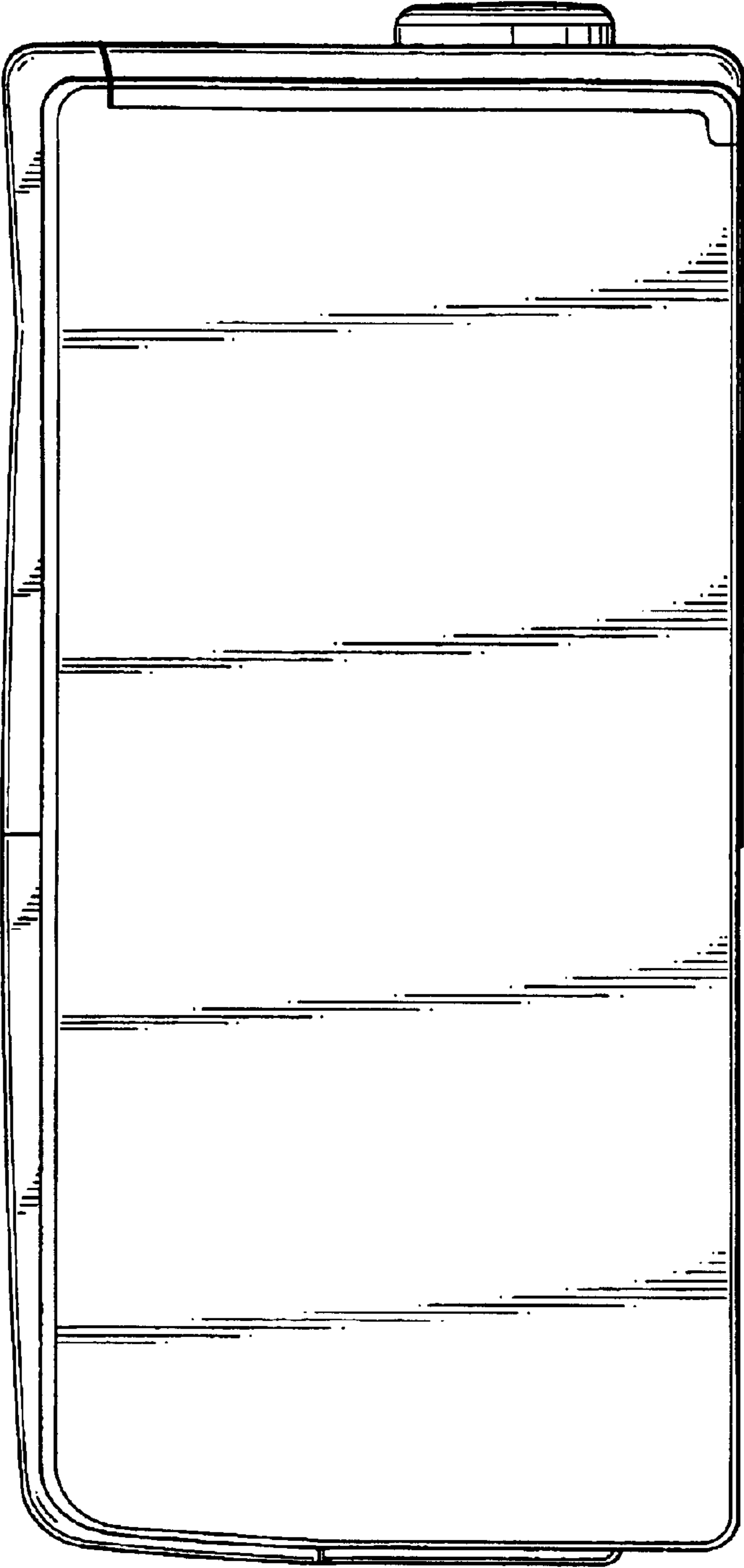


FIG. 7

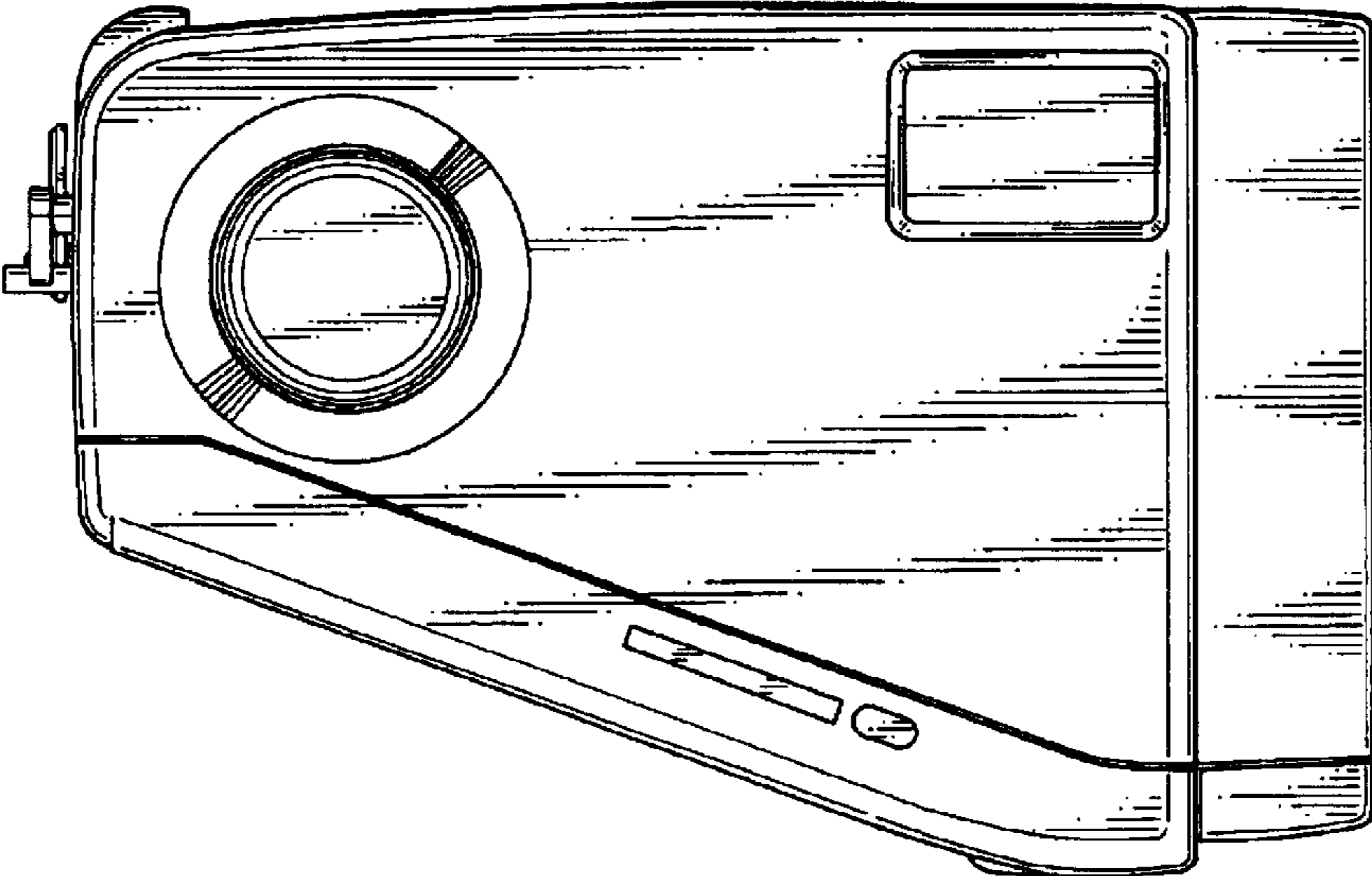




FIG. 8

